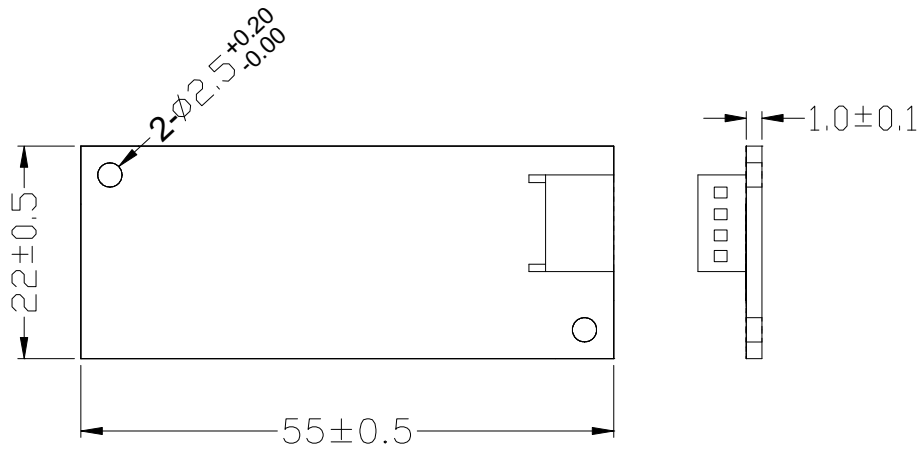


JME-3263R user guide

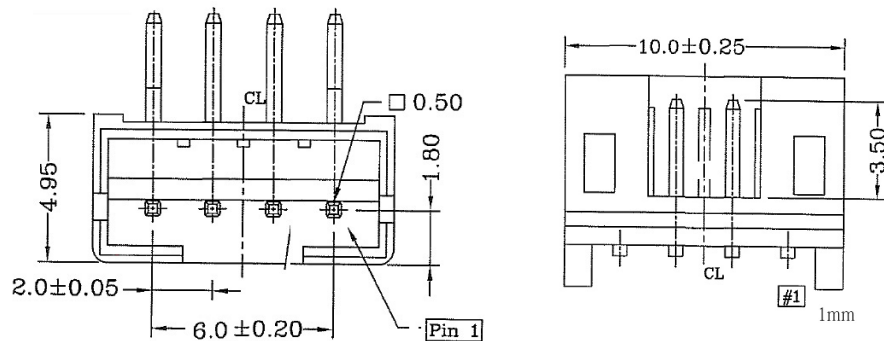
1、 Feature

1. 1. Interface: USB 1.1
1. 2. Power Input: DC 5V $\pm 5\%$ @ 100mA
1. 3. Transmission mode: RF
1. 4. Frequency: 2400~2483.5MHz
1. 5. RF channel quantity: 77
1. 6. Center of Channel: 2402/2403/2404...2476/2477/2478MHz
1. 7. Channel Interval: 1MHz
1. 8. Width of Channel: 1MHz
1. 9. Data Rate: < 1Mbps
1. 10. Receive Sensitivity: -93dBm
1. 11. Data Send timing: <500us
1. 12. Modulate mode: DSSS
1. 13. Effective distance: 10m
1. 14. Operating Temperature: $-5^{\circ}\text{C} \sim 45^{\circ}\text{C}$

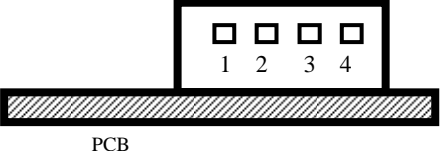
2、 Appearance draw (Unit: mm)



3、 Connector Spec



4、 Pin Assignment

Pin Number	Signal Name	Connector
1	USB Vcc	
2	USB D-	
3	USB D+	
4	USB GND	

5、 Use guide

1. First, confirm the receiver has been connected to the computer.
2. Put the batteries into the batteries casket, lock the cover.
3. Press power button on left side of the keyboard to turn on power. For the first time of usage , please bind the keyboard to the receiver as below:

With the keyboard close to the receiver within 50cm, press the Fn+F11 key on the keyboard, when the all the touchkey symbol twinkles 4 times, binding is completed.

6、 Federal Communication Commission Interference Statement

This device complies with Part 15 of the FCC Rules. Operation is subject to the following two conditions: (1) this device may not cause harmful interference, and (2) this device must accept any interference received, including interference that may cause undesired operation.

Change or modifications not expressly approved by the party responsible for compliance could void the user's authority to operate the equipment.

NOTE: This equipment has been tested and found to comply with the limits for a Class B digital device, pursuant to Part 15 of the FCC Rules. These limits are designed to provide reasonable protection against harmful interference in a residential installation. This equipment generates, uses and can radiate radio frequency energy and, if not installed and used in accordance with the instructions, may cause harmful interference to radio communications. However, there is no guarantee that interference will not occur in a particular installation. If this equipment does cause harmful interference to radio or television reception, which can be determined by turning the equipment off and on, the user is encouraged to try to correct the interference by one or more of the following measures:

- Reorient or relocate the receiving antenna.
- Increase the separation between the equipment and receiver.
- Connect the equipment into an outlet on a circuit different from that to which the receiver is connected.
- Consult the dealer or an experienced radio/TV technician for help.

The outside of the device into which the module is installed must also display a label referring to the inside module. This exterior label can use wording such as the following: “Contains Transmitter Module FCC ID: XYZMODEL1” or “Contains FCC ID: XYZMODEL1.” “XYZMODEL1” is the FCC ID number of this module .Any similar wording that expresses the same meaning may be used.

The end products with this USB module mounted are subject to either DOC authorization or Part 15B certification.

- ◆ If DOC, the end product shall be tested at an FCC recognized accredited laboratory under the DOC procedures. In addition to the FCC ID of the module, the end product label shall also bear FCC DOC logo.
- ◆ If the end product is not to be tested at an FCC accredited laboratory, then an FCC certification application of the end product shall be submitted.

NOTE: THE MANUFACTURER IS NOT RESPONSIBLE FOR ANY RADIO OR TV INTERFERENCE CAUSED BY UNAUTHORIZED MODIFICATIONS TO THIS EQUIPMENT. SUCH MODIFICATIONS COULD VOID THE USER’S AUTHORITY TO OPERATE THE EQUIPMENT.