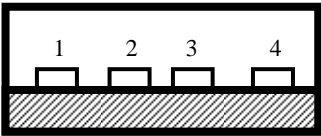


LXH-JME3265R User's Guide

1、 Feature

1. 1. Interface: USB 1.1
1. 2. Power Input: DC 5V \pm 5% @ 100mA
1. 3. Transmission mode: RF
1. 4. Frequency: 2400~2483.5MHz
1. 5. RF channel quantity: 77
1. 6. Center of Channel: 2402/2403/2404...2477/2478MHz
1. 7. Channel Interval: 1MHz
1. 8. Width of Channel: < 2MHz
1. 9. Data Rate: < 1Mbps
1. 10. Receive Sensitivity: -97dBm
1. 11. Data Send timing: <500us
1. 12. Modulate mode: GFSK
1. 13. Effective distance: 10m
1. 14. Operating Temperature: -5°C ~ +45°C

2、 Pin Assignment

| Pin Number | Signal Name | Connector |
|------------|-------------|--|
| 1 | USB GND |  |
| 2 | USB D+ | |
| 3 | USB D- | |
| 4 | USB Vcc | |

3、 Use guide

- 3.1 First, connect the dongle receiver to the computer.
- 3.2 The led of receiver will light- ,and then off.
- 3.3 Make the keyboard and dongle binding, when the touch hotkey area blink 4 times, binding is completed.
- 3.4 In normal use, the led blinks according to operation of the 2.4GHz RF keyboard and mouse, if they are not in operation, the led is off.

4、 Federal Communication Commission Interference Statement

This device complies with Part 15 of the FCC Rules.

Operation is subject to the following two conditions:

- (1) This device may not cause harmful interference and
- (2) this device must accept any interference received,including interference that may cause undesiredoperation.