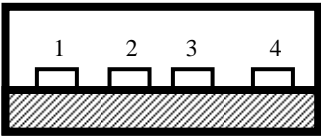


# JME-3267R User's Guide

## 1、 Feature

1. 1. Interface: USB 1.1
1. 2. Power Input: DC 5V  $\pm$ 5% @ 100mA
1. 3. Transmission mode: RF
1. 4. Frequency: 2400~2483.5MHz
1. 5. RF channel quantity: 78
1. 6. Center of Channel: 2402/2403/2404...2477/2478/2479MHz
1. 7. Channel Interval: 1MHz
1. 8. Width of Channel: < 2MHz
1. 9. Data Rate: < 1Mbps
1. 10. Receive Sensitivity: -93dBm
1. 11. Data Send timing: <500us
1. 12. Modulate mode: GFSK
1. 13. Effective distance: 10m
1. 14. Operating Temperature: -5°C ~ +45°C

## 2、 Pin Assignment

Pin Number	Signal Name	Connector
1	USB GND	
2	USB D+	
3	USB D-	
4	USB Vcc	

## 3、 Use guide

- 3.1 First, connect the dongle receiver to the computer.
- 3.2 The led of receiver will blinks about 4 times ,and then off.
- 3.3 After the keyboard is bind , the receiver LED will light for about 5 seconds and off.
- 3.4 In normal use, the led blinks according to the 2.4GHz RF keyboard and mouse's operation, if the keyboard and mouse are not in operation, the led is off.

## **Federal Communications Commission (FCC) Statement**

You are cautioned that changes or modifications not expressly approved by the part responsible for compliance could void the user's authority to operate the equipment.

**NOTE:** This device has been tested and found to comply with the limits for a Class B digital device, pursuant to part 15 of the FCC rules. These limits are designed to provide reasonable protection against harmful interference in a residential installation. This equipment generates, uses and can radiate radio frequency energy and, if not installed and used in accordance with the instruction manual, may cause harmful interference to radio communications. However, there is no guarantee that interference will not occur in a particular installation. If this device does cause harmful interference to radio or television reception, which can be determined by turning the equipment off and on, the user is encouraged to try to correct the interference by one or more of the following measures:

- Reorient or relocate the receiving antenna.
- Increase the separation between the equipment and receiver.
- Connect the equipment into an outlet on a circuit different from that to which the receiver is connected.
- Consult the dealer or an experienced radio/TV technician for help.

This device complies with Part 15 of the FCC Rules. Operation is subject to the following two conditions:

1. This device may not cause interference and
2. This device must accept any interference received, including interference that may cause undesired operation.