



For Accurate Music and

Voice Reproduction

from Indoor and

Outdoor Locations



INDOOR/OUTDOOR LOUDSPEAKER

LS0-5/6/7/8

LSO-5/6/7/8

INDOOR/OUTDOOR LOUDSPEAKER

TABLE OF CONTENTS

Features	1
Product Overview	2
Package Contents	3
Preparing for Installation	3
Installation	3
Operation	6
Specifications	6
Warranty	8

FEATURES: LSO-5

- 5" mica filled polypropylene woofer with butyl rubber surround
- 3/4" liquid cooled polycarbonate tweeter
- Glass and mineral-filled polypropylene enclosure
- Weather and UV resistant

Installation friendly design:

- Includes stainless-steel and brass hardware
- Recessed gold-plated 5-way binding posts
- Includes adjustable rustproof mounting bracket
- Includes aluminum rustproof grilles

FEATURES: LSO-6

- 5" mica filled polypropylene woofer with butyl rubber surround
- 1" liquid cooled ElastoDynamic® dome tweeter
- Glass and mineral-filled polypropylene enclosure
- Weather and UV resistant

Installation friendly design:

- Includes stainless-steel and brass hardware
- Recessed gold-plated 5-way binding posts
- Includes adjustable rustproof mounting bracket
- Includes aluminum rustproof grilles

FEATURES: LSO-7

- 5-1/4" mica filled polypropylene woofer with butyl rubber surround
- 1" liquid cooled ElastoDynamic® dome tweeter
- Glass and mineral-filled polypropylene enclosure
- Weather and UV resistant

Installation friendly design:

- Includes stainless-steel and brass hardware
- Recessed gold-plated 5-way binding posts
- Includes adjustable rustproof mounting bracket
- Includes aluminum rustproof grilles

FEATURES: LSO-8

- 6-1/2" mica filled polypropylene woofer with butyl rubber surround
- 1" liquid cooled ElastoDynamic® dome tweeter
- Glass and mineral-filled polypropylene enclosure
- Weather and UV resistant

Installation friendly design:

- Includes stainless-steel and brass hardware
- Recessed gold-plated 5-way binding posts
- Includes adjustable rustproof mounting bracket
- Includes aluminum rustproof grilles

PRODUCT OVERVIEW

The LSO series of Indoor/Outdoor speakers give you the freedom to listen to music anywhere! You can use them indoors and outdoors (even on a boat). The cabinet is shaped to fit neatly into corners or eaves. It is supplied with a swiveling mounting bracket for easy installation anywhere.

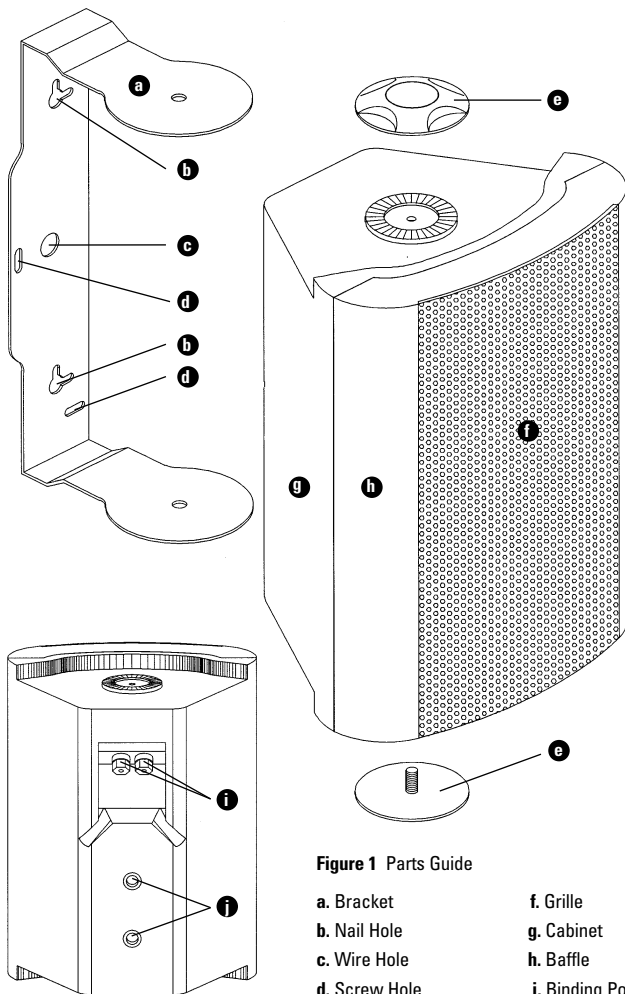


Figure 1 Parts Guide

- | | |
|-----------------|---------------------|
| a. Bracket | f. Grille |
| b. Nail Hole | g. Cabinet |
| c. Wire Hole | h. Baffle |
| d. Screw Hole | i. Binding Posts |
| e. Bracket Knob | j. Threaded Inserts |

PACKAGE CONTENTS

- Indoor/Outdoor speakers x 2
- Mounting brackets x 2
- Paint masks x 2

PREPARING FOR INSTALLATION

If you are mounting the speakers onto an existing indoor wall, take time to consider any possible obstructions, which may be hidden inside the wall: studs, electrical wiring, telephone wiring, plumbing, AC or heating conduit and ductwork.

If you are mounting the speaker's outdoors, use hardware designed for outdoor use.

Mount the speakers in a location that provides the best sound coverage and minimizes the speaker's exposure to the elements.

Label the speaker wires at the amplifier location.

Consider the amount of Bass you would like to have. If you need a average amount of Bass, then place your loudspeakers as shown in Figure 3. If you prefer more Bass, place your loudspeakers as shown in Figure 2.

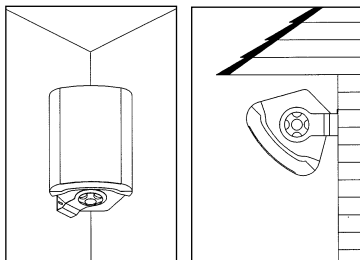


Figure 2
Placement for enhanced bass output

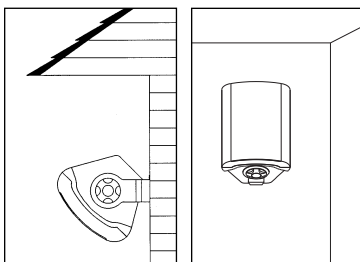


Figure 3
Placement for average bass output

TOOLS REQUIRED

- Stud Locator
- Cordless screwdriver
- Three screws or bolts suitable for the mounting surface
- Pencil
- Wire stripper
- Wire labels

INDOOR INSTALLATION

1. LSO speakers can be mounted either horizontally or vertically.
2. Use the stud locator to identify the location of the studs in the proposed mounting locations of the speaker.
3. Mark the stud edges, using masking tape.
4. Repeat this process for the other speaker.
5. You may decide to adjust the speaker mounting locations based on how symmetrical the studs are located in the wall space.
6. Use a pencil and the mounting bracket to mark the locations of the mounting holes on the wall.
7. Drill pilot holes into the mounting surface.
8. If the mounting holes lines up with a stud, use screws to secure the bracket to the wall.
9. If the mounting holes do not line up with a stud, secure the bracket to the wall using anchors designed to support the weight of the speaker.
10. Strip 1/4" of insulation from the end of each wire.
11. Tightly twist the end of each wire until no frayed ends remain.
12. Attach the speaker wires to the speaker terminal connectors. Connect the negative output from the amplifier to the black terminal. Connect the positive output from the amplifier to the red terminal.
13. Remove the bracket knobs from the speaker.
14. Slide the speaker into the mounting bracket.
15. Insert the knob through the bracket and into the threaded insert in the cabinet.
16. Secure the speaker in place by tightening the bracket knobs.
17. Repeat this procedure for the next speaker.

OUTDOOR INSTALLATION

1. LSO speakers can be mounted either horizontally or vertically.
2. Determine the appropriate mounting location.
3. Use a pencil and the mounting bracket to mark the location of the mounting holes on the surface.

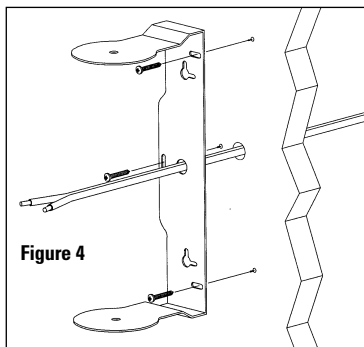


Figure 4

4. Drill pilot holes into the mounting surface.
5. If the mounting holes line up with a stud, use galvanized screws to secure the bracket to the wall.
6. If the mounting holes do not line up with a stud, secure the bracket to the wall using anchors designed to support the weight of the speaker.
7. Strip 1/4" of insulation from the end of each wire.
8. Tightly twist the end of each wire until no frayed ends remain.
9. Attach the speaker wires to the speaker terminal connectors. Connect the negative output from the amplifier to the black terminal. Connect the positive output from the amplifier to the red terminal.
10. Remove the bracket knobs from the speaker.
11. Slide the speaker into the mounting bracket.
12. Insert the knob through the bracket and into the threaded insert in the cabinet
13. Secure the speaker in place by tightening the bracket knobs.
14. Repeat this procedure for the next speaker.

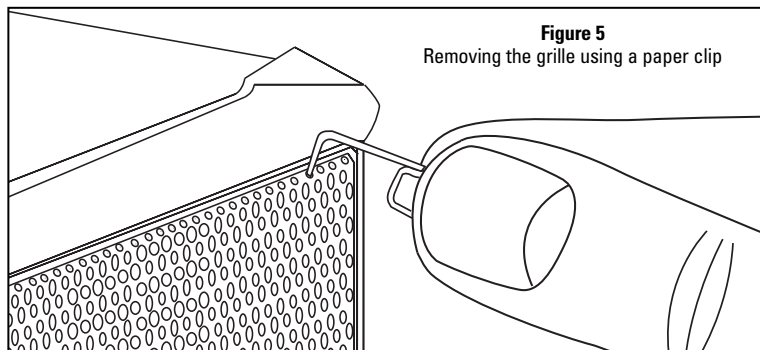


Figure 5
Removing the grille using a paper clip

REMOVING THE GRILLE

If the grille is already installed, remove it by using a bent paper clip or the tip of a corkscrew and pulling it away from the frame. See figure 5

PAINTING THE SPEAKERS

1. Separate the parts of the speaker by removing the brackets and the bracket knobs. Remove the grille by hooking it with a bent paper clip or the tip of a corkscrew and pulling it away from the cabinet.
2. Mask off the binding posts and the brass threaded inserts on the back panel with masking tape.
3. Mask off the threaded inserts on the top and bottom with masking tape.
4. Protect the front of the speakers by inserting the supplied paint masks in place of the grille on each speaker.
5. Apply two thin coats of a primer to the cabinet and knobs. We recommend Krylon Sandable Spray Primer. The bracket doesn't require a coat of primer.
6. Allow the primer to completely dry.
7. Apply the finish color.
8. Allow the paint to completely dry.
9. Carefully remove the masking material.

PAINTING THE GRILLES

The grilles should be painted before they are installed on the speakers. The best results will be obtained by using a spray gun or airless sprayer. Thin the paint, and then apply several light coats. This technique helps prevent clogging of grille holes. Paint both sides of the grille to cover all the white paint.

OPERATION

Listening at Higher Volumes:

It requires more power to achieve a reasonable volume of sound in a large room than it does in a small room. It is possible to turn the volume so high that the amplifier runs out of power. This creates "clipping" distortion.

Clipping distortion makes treble sound very harsh and unmusical. When you hear harsh sounding treble from any good speaker, turn the volume down immediately! You are much less likely to damage a speaker with a large amplifier because it will be less likely to produce any clipping distortion.

SPECIFICATIONS: LSO-5

Power handling:

5 – 75 watts

Frequency response:

110Hz- 21kHz +/-3dB

Impedance:

8 ohms

Dimensions bracket:

9-1/4" high x 7" wide x 6-5/8" deep
including Bracket

Warranty: 2 year limited

SPECIFICATIONS: LSO-6

Power handling:

10 - 100 watts

Frequency response:

110 Hz - 21kHz +/-3dB

Impedance:

8 ohms

Dimensions bracket:

9-1/4" high x 7" wide x 6-5/8" deep
including Bracket

Warranty: 2 year limited

SPECIFICATIONS: LSO-7

Power handling:

10 – 100 watts

Frequency response:

75Hz-21kHz+/-3dB

Impedance:

8 ohms

Dimensions bracket:

11" high x 8-3/8" wide x 7-9/16" deep
including Bracket

Warranty: 2 year limited

SPECIFICATIONS: LSO-8

Power handling:

10 - 150 watts

Frequency response:

65Hz-21Hz+/-3dB

Impedance:

8 ohms

Dimensions bracket:

13" high x 9-7/8" wide x 9" deep
including Bracket

Warranty: 2 year limited

LIMITED WARRANTY

JobSite Systems ("JOBSITE"), a Niles Audio Corporation company, warrants its passive products (those not requiring AC or battery power) to the original purchaser to be free of manufacturing defects in material and workmanship for a period of ten years from date of purchase.

JOBSITE warrants its passive loudspeaker products (those not requiring AC or battery power) to the original purchaser to be free of manufacturing defects in material and workmanship for a period of five years from date of purchase.

JOBSITE warrants its indoor/outdoor loudspeaker products to the original purchaser to be free of manufacturing defects in material and workmanship for a period of two years from date of purchase.

JOBSITE warrants its all weather rock loudspeaker products to the original purchaser to be free of manufacturing defects in material and workmanship for a period of five years from date of purchase.

JOBSITE warrants its active products (those requiring AC or battery power) to the original purchaser to be free of manufacturing defects in material and workmanship for a period of two years from date of purchase.

This Warranty is subject to the following additional conditions and limitations. The Warranty is void and inapplicable if JOBSITE deems that the product has been used or handled other than in accordance with the instructions provided by the manufacturer, including, but not limited to, damage caused by accident, mishandling, improper installation, abuse, negligence, or normal wear and tear, or any defect caused by repair to the product other than by JOBSITE or an authorized JOBSITE wholesale distributor.

To obtain warranty service, you must write to JOBSITE: Include your name, address, telephone number, model number and

serial number of your unit, and a brief description of the problem.

A factory Return Authorization Number will be sent to you. **DO NOT RETURN ANY UNIT WITHOUT FIRST RECEIVING WRITTEN AUTHORIZATION AND SHIPPING INSTRUCTIONS FROM JOBSITE.**

If the above conditions are met, the purchaser's sole remedy shall be to return the product to JOBSITE, in which case JOBSITE will repair or replace, at its sole option, the defective product without charge for parts or labor. JOBSITE will return the unit repaired or replaced under warranty by shipping it by its usual shipping method from the factory (only) at its expense within the United States of America. **THERE ARE NO OTHER WARRANTIES, INCLUDING, WITHOUT LIMITATION, EITHER EXPRESS OR IMPLIED WARRANTIES OF MERCHANTABILITY OR FITNESS FOR A PARTICULAR PURPOSE, WITH RESPECT TO THE PRODUCT.**

REPAIR OR REPLACEMENT AS PROVIDED UNDER THIS WARRANTY IS THE EXCLUSIVE REMEDY OF THE CONSUMER/PURCHASER. JOBSITE SHALL NOT BE RESPONSIBLE FOR ANY INCIDENTAL OR CONSEQUENTIAL DAMAGES EXCEPT TO THE EXTENT PROVIDED (OR PROHIBITED) BY APPLICABLE LAW.

Some states do not allow the exclusion or limitation of incidental or consequential damages, so the above limitation may not apply to you. This warranty gives you specific legal rights, and you may also have other rights, which vary from state to state.

For the name of the nearest authorized JOBSITE wholesale distributor, contact:

JobSite Systems, a Niles Audio
Corporation company
P.O. Box 160818, Miami, Florida 33116



JOBSITE SYSTEMS

12331 S.W. 130 STREET, MIAMI, FLORIDA 33186

TEL (866) 4JB-SITE (866-452-7483) – FAX (305) 238-0185

WWW.JOBSITESYSTEMS.COM

JobSite Systems, a Niles Audio Corporation company, 12331 S.W. 130 Street, Miami, Fl 33186. ©2004 Niles Audio Corporation. JobSite, Pure Custom and Niles are registered trademarks of Niles Audio Corporation and the JobSite Logo is a trademark of Niles Audio Corporation. All other trademarks are the property of their respective owners. Some JobSite products (or components thereof) are manufactured under one or more U.S. Patents, foreign equivalents and/or pending patents (see product for details). Because we constantly strive to improve our products, JobSite reserves the right to change product specifications, descriptions, and prices without notice. The technical and other specifications of information contained herein are not intended to set forth all technical and other specifications of JobSite products. Additional information can be obtained at www.JobSitesystems.com or by calling JobSite at 866-452-7483. Printed in Taiwan. 11/04 DS00386ATW