

COZYcab™

JOHN DEERE 4100, 4110 and 4115 CAB MOUNTING INSTRUCTIONS



Fits 410 loaders with 2 post non-folding ROPS

A-11170

Manufactured by:

 **CUSTOM PRODUCTS**
OF LITCHFIELD, INC.

BOX 718 • LITCHFIELD, MINNESOTA 55355
(320) 693-3221 Fax: (320) 693-7252

www.800cabline.com

SAFETY INSTRUCTIONS

Read operator's manual. Be thoroughly familiar with the controls, capabilities, and proper use of the equipment.

NEVER ALLOW ANY RIDERS.

IMPORTANT: This cab must only be used on tractors outfitted with a NON-FOLDING ROPS.

DO NOT place this cab on a tractor outfitted with a folding ROPS.

DO NOT remove the top half of a folding ROPS to accommodate this cab.

Thoroughly inspect cab mounting periodically.

Stay alert for hidden hazards and traffic.

Avoid sudden starts, excessive speeds, and sudden stops when operating on hillside, rough ground and most off-the-road operations.

Use extreme care when working close to fences, ditches, or on hillsides.

Wait for tractor to STOP before dismounting.

Check clearance carefully before driving under any objects.

Avoid operating sideways on a steep slope whenever possible.

ALWAYS buckle safety belt while operating tractor.

Never exceed factory recommended specifications.

DO NOT weld, cut, drill or modify ROPS in any manner unless instructed by manufacturer.

Mounting Instructions

John Deere 4100, 4110 and 4115

1. PREPARATION OF TRACTOR;

- A. Remove grab handles from tractor fenders.
- B. Disconnect battery power.
- C. Remove rear warning lights from roll bar. Attach warning lights to cab using (1) LH #7-15662 and (1) RH #7-15661 dual light mounting brackets. Secure lights to bracket with; (See Figure 1C).
 - (4) 8mm x 25mm cap-screws
 - (4) 5/16" lock washers
- D. Secure brackets to cab, on each side using;
 - (4) 1/4-20unc capscrews
 - (4) 1/4-20unc nyloc nuts
 - (8) 1/4" flat washers
- E. Install Dual Light Wire Extension Kit #8-14639 to route wires into cab and down each side of the interior cab wall. See Figure 1C and 1E.
- F. Remove side engine panels and hood.

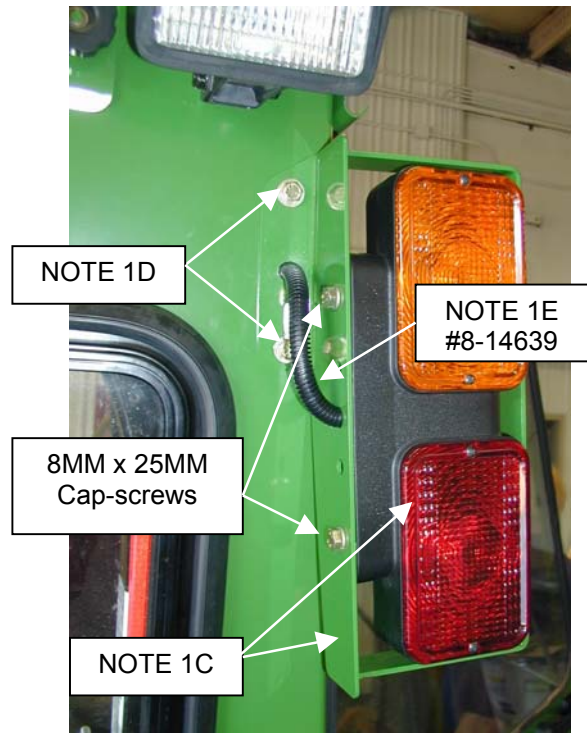


Figure 1C

2. INSTALLING THE CAB MOUNT PLATES;

- G. **Note:** Loader brackets must be purchased from John Deere in order to mount the front cab mount plates.
- H. Attach JD Loader Brackets to each side of the tractor frame using and secure with;
 - (6) 10mm x 35mm bolts
 - (6) 7/16" lock washers
 - (4) 7/16-14unc x 1" long bolts
 - (4) 7/16" lock washers
 - (4) 7/16-14unc Nyloc Nuts
 See Figure 2H.

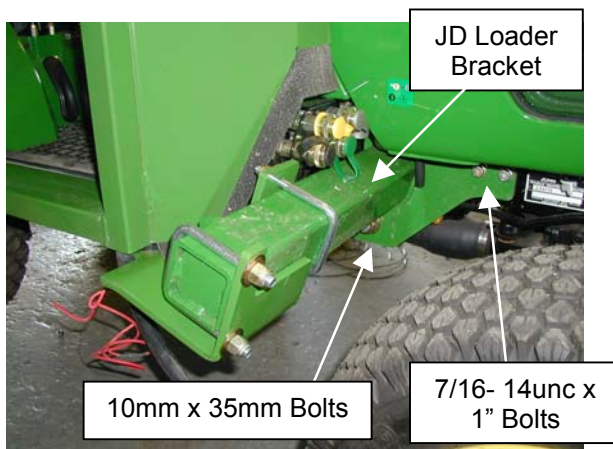


Figure 2H



Figure 1E

Mounting Instructions John Deere 4100, 4110 and 4115

2. MOUNTING THE CAB MOUNT PLATES:

- I. Mounting Front Cab Mount Plates;
For 4100 and 4110 models, attach left mount #6-39308 and right mount #6-39309 to the JD Loader Brackets, just installed in step "H". See Figure 2H.
For 4115 models, attach left mount #6-42584 and right mount #6-42585.
- J. Secure front cab mount plates with;
 (4) ½-13unc U-bolts
 (8) ½" flat washers
 (8) ½-13unc nyloc-nuts.
 See Figure 2J.
- K. Remove (2) bolts (on each side) from the roll bar mount. See Figure 2K. Install rear mounting bracket #6-39310 on each side of unit. Secure with;
 (4) 12mm x 50mm bolts
 (4) ½" flat washers
 (4) ½" lock washers
- L. Install (4) Rubber isolator bushing in front and rear mounts. NOTE: Isolator mounts (#3-16635) with pipe bushing should be inserted from the top side of mount.
- M. Adjust seat forward, tilt and remove hinge pin and seat. Attach rear seal panel assembly #8-14239 using (2) existing holes in the roll bar cross member and secure with;
 (2) ¼"-20unc x 1" long bolts
 (2) ¼" flat washers
 (2) ¼"-20unc Nyloc Nuts
 See Figure 3M.
 Some trimming of fabric may be needed to achieve proper fit of rear seal panel. Reinstall seat and seat pivot pin.

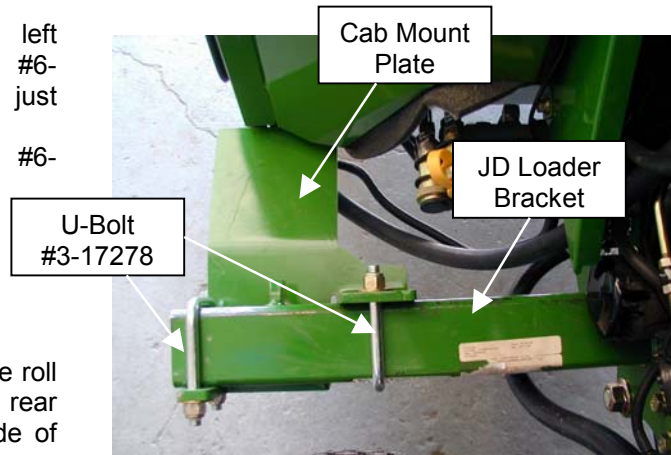


Figure 2J

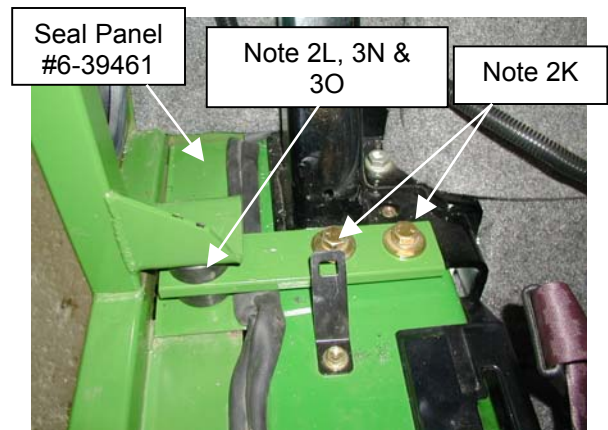


Figure 2K

3. INSTALLATION OF CAB

- N. Remove cab from shipping stand. Lower cab over roll bar until cab contacts front and rear isolator bushings. See Figure 2K and 3M.
- O. Secure cab to bushings with;
 (4) ½-13unc x 3.0" long Bolts
 (4) ½-13unc Nyloc Nuts
 (4) ½" Snubbing Washers
 Seal Panel #6-39461 will be secured from the bottom side of the rubber mount with the fasteners noted above. See Figure 2K.
- P. Install **front hood panel**;
For models 4100 and 4115: #8-14240
For model 4110: #8-14649
 Secure hood panel with;
 (2) ¼-20unc x 1" bolts
 (2) ¼-20unc nylock nuts (See Figure 3P)

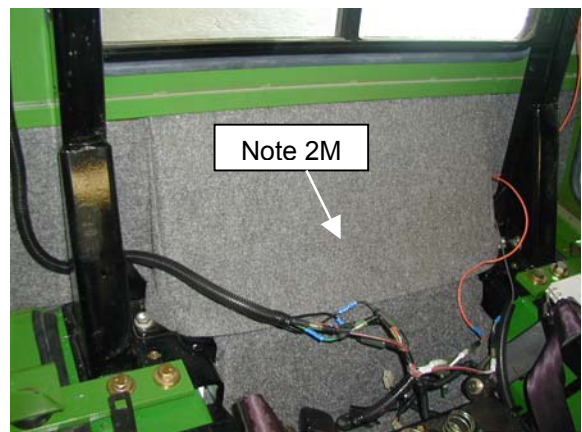


Figure 3M

Mounting Instructions John Deere 4100, 4110 and 4115

- Q. Install right and left floor mats on each side.
- R. Remove Slow Moving Vehicle sign and bracket from tractor seat. Re-mount sign and bracket using holes located on the back-left side of cab.



Figure 3M

Note 5F



Figure 3P
(4110 hood shown)

4. ELECTRICAL HOOKUP (All Models)

- A. Mount #3-17803 Universal Wire Relay Breaker Kit in the engine compartment area. Bracket #6-42329 may be used if room permits. See Figure 4A.
- B. Refer to drawing #3-17803 and # 8-14376 for additional electrical connections and details.
- C. Make sure the cab is grounded to frame by installing cab to ground wire #8-14258.



Figure 4A

5. HEATER HOSE HOOKUP (Ref. Drawing #8-14232)

- A. Drain coolant from radiator and engine block.
- B. Remove temperature sensor from thermostat housing area.
- C. Install aluminum fitting #3-15815 with O-ring washer #3-16823 into thermostat housing. See Figure 5C.
- D. Re-install temperature sensor into the aluminum fitting just installed (Step 5C).
- E. Install hose to NPT fitting #3-12119 into the side port of the aluminum fitting.
- F. Measure and cut the 5/8" heater hose that routes (Supply Line) from the left (Driver) side of the cab to the thermostat-aluminum-hose nipple fitting. Plastic elbow #3-10282 should be used at the bottom of the cab tubes. See Figure 3M.

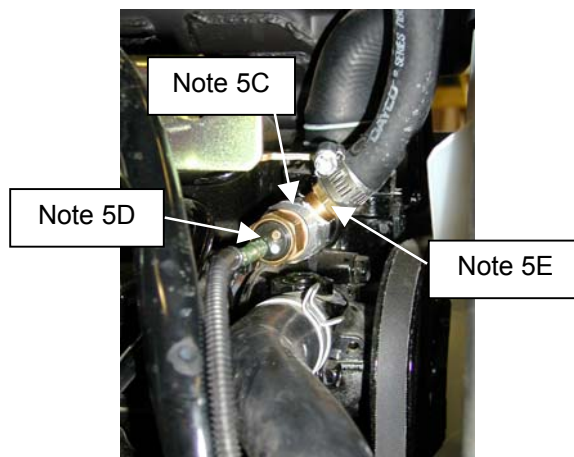


Figure 5C

John Deere 4100, 4110 and 4115 Mounting Instructions

- G. The lower radiator hose will need to be cut for installation of the lower radiator hose "T" fitting #7-11308. See Figure 5G.
- H. Install 5/8" hose to NPT fitting #3-12119 into the lower radiator hose "T" fitting. See Figure 5G.
- I. Measure and cut the 5/8" heater hose from the right side (Return Line) of the cab with the 90-degree elbow #3-10282 to the lower radiator hose "T" nipple fitting. See Figure 5G.
- J. Tighten all hose connections with hose clamps.
- K. Re-connect Battery Power.
- L. Refill radiator. Start engine and run at fast idle to purge air from coolant system. Make sure the Heat-Pull Lever is pulled out (Turned On).
- M. Check for leaks.
- N. Check coolant level after heater core and hoses are filled.

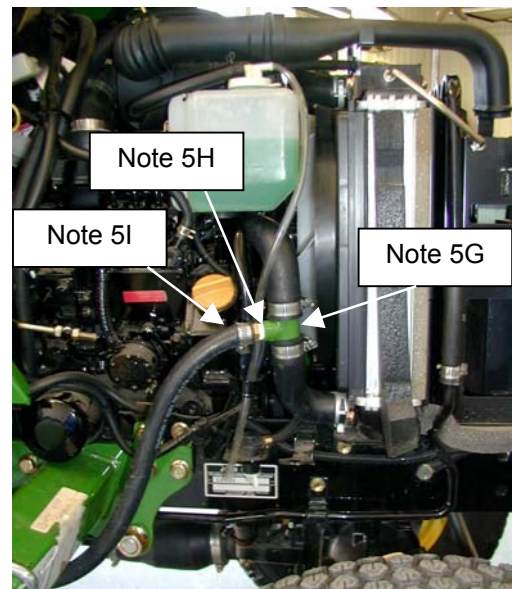


Figure 5G

6. ADDITIONAL INSTRUCTIONS (4110 models, ONLY!)

- A. Since the 4110 hood slightly differs from the 4100 and 4115, the fuel cap lid needs to be modified. Remove 3/4" from the end of the fuel cap lid as shown in Figure 6A.
- B. The 4110 hood also sets back further towards the cab and therefore the hood will not open as far as the other models. Install the shorter hood rod #7-15714 to prevent the hood from contacting the cab. See Figure 6B.

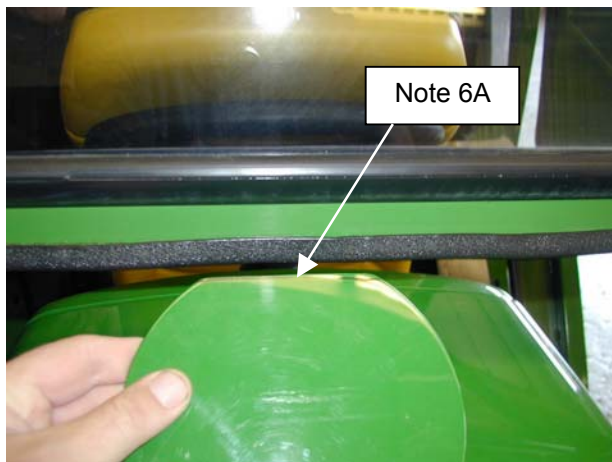


Figure 6A
(4110 Models ONLY)

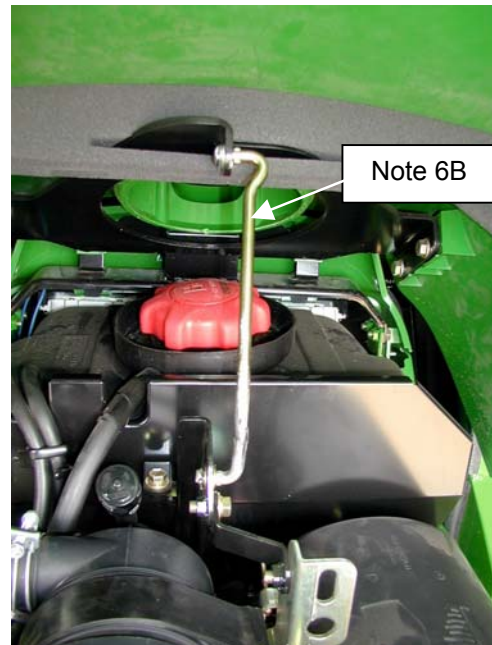


Figure 6B
(4110 Models ONLY)

7. VERTICAL EXHAUST KIT

- A. For applications that require a high exhaust system, over the head of the operator, a vertical exhaust kit is available through your local John Deere dealer.

John Deere 4100, 4110 and 4115 Mounting Instructions

Drawing Index

| | |
|---------|--------------------------------|
| 8-14172 | CAB ASSEMBLY |
| 8-14173 | DOOR ASSEMBLY RIGHT |
| 8-14174 | DOOR ASSEMBLY LEFT |
| 8-14630 | HEADLINER ASSEMBLY |
| 8-14176 | MOUNT KIT -COMMON |
| 8-14241 | MOUNT KIT FOR 4100 |
| 8-14647 | MOUNT KIT FOR 4110 |
| 8-14648 | MOUNT KIT FOR 4115 |
| 8-14232 | HEATER KIT |
| 8-14376 | ELECTRICAL SCHEMATIC |
| 3-17803 | WIRE RELAY BREAKER HARNESS |
| 8-14639 | WIRE EXTENSION FOR DUAL LIGHTS |

John Deere 4100, 4110 and 4115
A-11170 Replacement Parts

8-14172 Cab Assembly

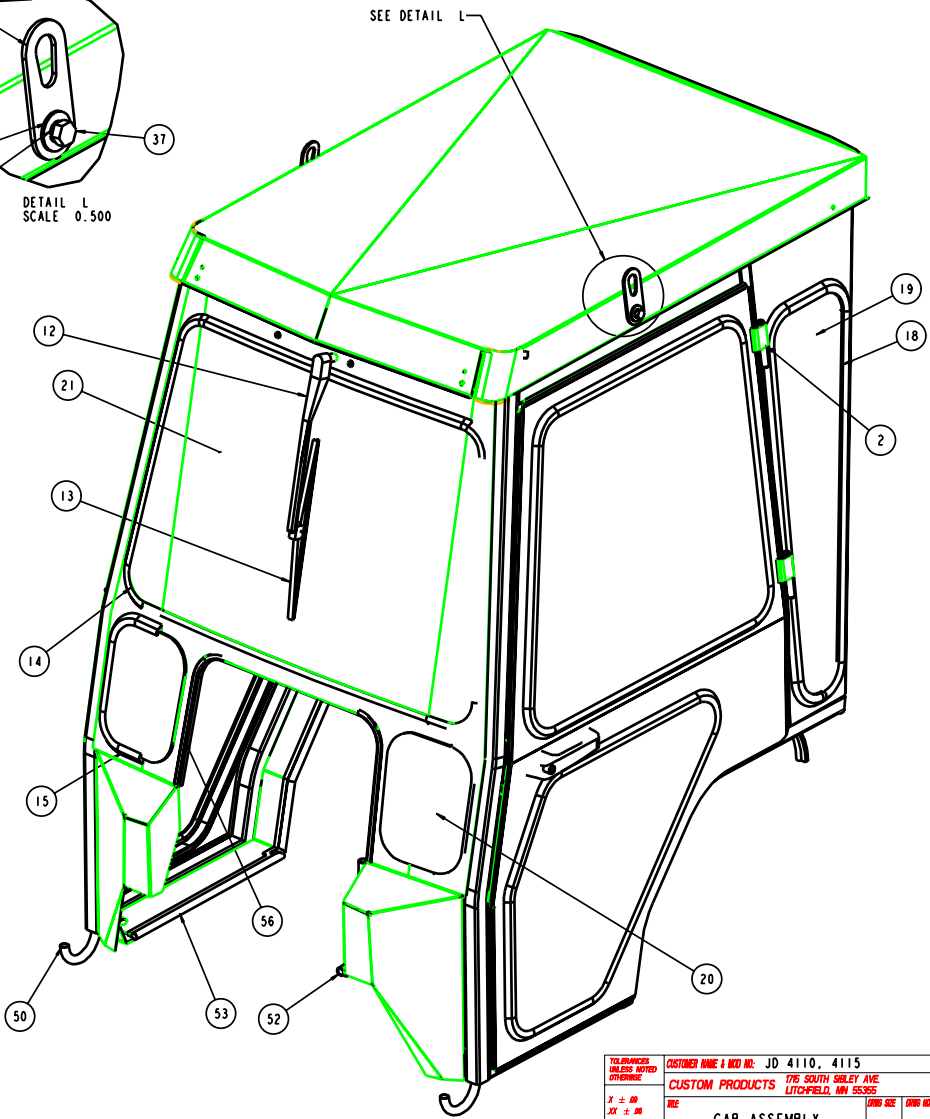
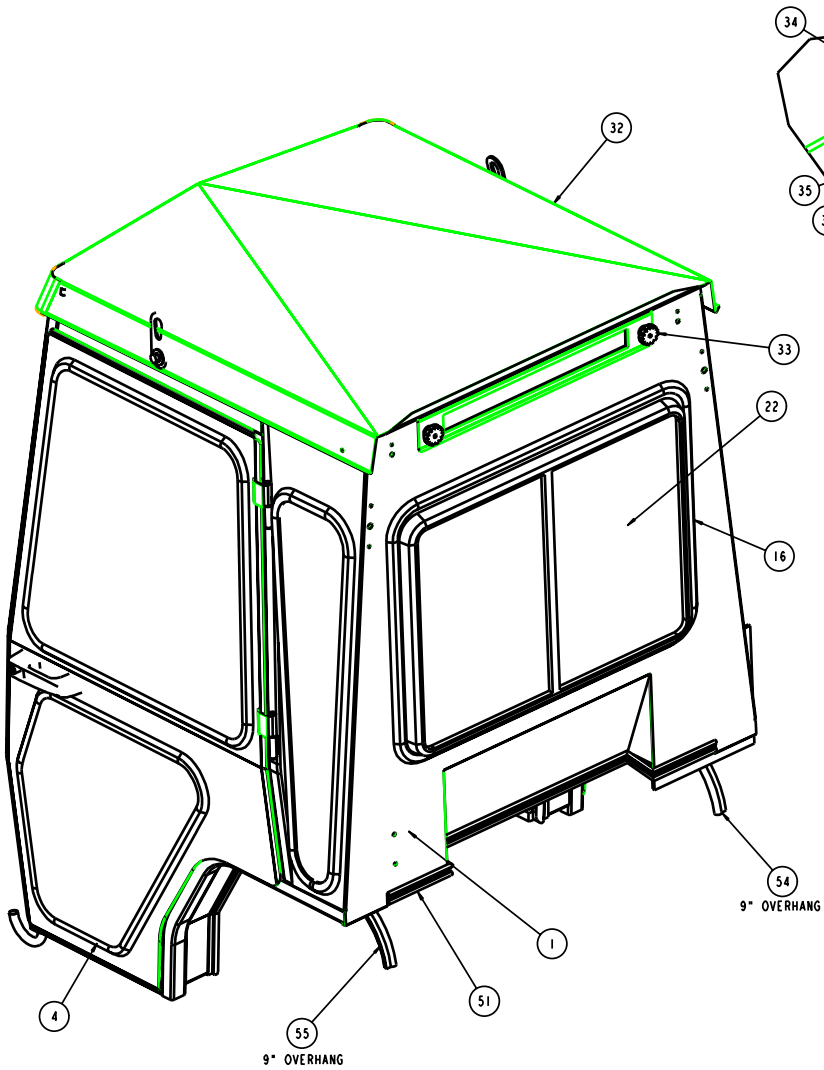
| <u>ITEM</u> | <u>QTY</u> | <u>PART NO.</u> | <u>DESCRIPTION</u> |
|-------------|------------|-----------------|---|
| 1 | 1 | 7-15074 | Cab Weldment |
| 2 | 4 | 3-15917 | Right Upper Door Glass |
| 3 | 1 | 8-14173 | Right Door Assembly |
| 4 | 1 | 8-14174 | Left Door Assembly |
| 5 | 1 | 8-14630 | Headliner Assembly |
| 6 | 2 | 3-10166 | .437 Flat Washer |
| 7 | 2 | 3-10472 | .437-14 Nyloc Hex Nut |
| 8 | 1 | 3-15944 | Filter, 2.19 x 3" x 20.88" |
| 9 | 2 | 3-15407 | Striker Stud & Washer |
| 10 | 1 | 6-37535 | Air Filter Cover |
| 11 | 1 | 3-11099 | Wiper Motor |
| 12 | 1 | 3-15776 | Wiper Arm |
| 13 | 1 | 3-15763 | Wiper Blade |
| 14 | 10 FT | 3-10649 | Window Rubber |
| 15 | 2 FT | 3-10649 | Window Rubber, 2 FT |
| 16 | 9 FT | 3-10649 | Window Rubber |
| 17 | 7 FT | 3-10649 | Window Rubber |
| 18 | 7 FT | 3-10649 | Window Rubber |
| 19 | 2 | 3-17176 | Side Rear Glass |
| 20 | 2 | 3-17177 | Lower Front Glass |
| 21 | 1 | 3-17173 | Front Windshield Glass |
| 22 | 1 | 3-16652 | Rear Sliding Window Assembly |
| 23 | 1 | 6-39855 | Rear Headliner Insulation |
| 24 | 1 | 6-39856 | Right Rear Side Headliner Insulation |
| 25 | 1 | 6-39857 | Left Rear Side Headliner Insulation |
| 26 | 1 | 6-39859 | Top Rear Panel Insulation |
| 27 | 1 | 6-39860 | Bottom Center Rear Insulation |
| 28 | 1 | 6-39861 | Left Rear Bottom Insulation |
| 29 | 1 | 6-39862 | Bottom Right Rear Insulation |
| 30 | 1 | 6-39864 | Lower Left Front Insulation |
| 31 | 1 | 6-39865 | Lower Right Front Insulation |
| 32 | 1 | 7-15208 | Roof Weldment |
| 33 | 2 | 3-15573 | Black Plastic Knob |
| 34 | 2 | 6-20618 | Lifting Ear |
| 35 | 2 | 3-10087 | .500 Flat Washer |
| 36 | 2 | 3-10079 | .500 Lock Washer |
| 37 | 2 | 3-10129 | Hex-Head Bolt, 1/2-13 NC X 1" Long, Grd 5 |
| 38 | 2 | 3-10077 | .312 Lock Washer |
| 39 | 2 | 3-11821 | Gas Spring Ball Stud |
| 40 | 2 | 3-13024 | 6" Stroke Gas Spring |
| 41 | 2 | 3-10135 | Machine Screw, #10-24 X 1.00 TH SL |

John Deere 4100, 4110 and 4115
A-11170 Replacement Parts

8-14172 Cab Assembly (Continued)

| <u>ITEM</u> | <u>QTY</u> | <u>PART NO.</u> | <u>DESCRIPTION</u> |
|-------------|------------|-----------------|--|
| 42 | 2 | 3-10083 | .187 Flat Washer |
| 43 | 2 | 3-10308 | Nyloc Hex Nut, #10-24 NC |
| 44 | 4 | 3-14387 | .25-20 NC Nut Sert |
| 45 | 4 | 3-10076 | .250 Lock Washer |
| 46 | 4 | 3-10220 | Hex-Head Bolt, 1/4-20 NC X 1" Long, Grd 5 |
| 47 | 2 | 3-10282 | Plastic Elbow |
| 48 | 3 | 3-10858 | #10 Hose Clamp |
| 49 | 4 FT | 3-11264 | Sponge Polyfoam |
| 50 | 2 | 3-11172 | Heater Hose |
| 51 | 1 | 3-10610 | Seal Rubber, Clip-on Bubble, 180 Degrees |
| 52 | 1 | 3-15952 | Seal Rubber, 3/4" OD Bubble, Up TO 1/8" Material |
| 53 | 1 | 3-15952 | Seal Rubber, 3/4" OD Bubble, Up TO 1/8" Material |
| 54 | 1 | 3-10610 | Seal Rubber, Clip-on Bubble, 180 Degrees |
| 55 | 1 | 3-10610 | Seal Rubber, Clip-on Bubble, 180 Degrees |
| 56 | 1 | 3-12138 | Trim Seal, 7/16 OD Bubble, 1/8 Mat |

| REV. | DCR NO. | DESCRIPTION | DRAFTSMAN | DATE |
|------|---------|-------------|-----------|------|
| | | | | |

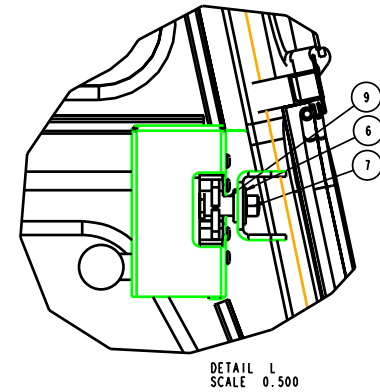
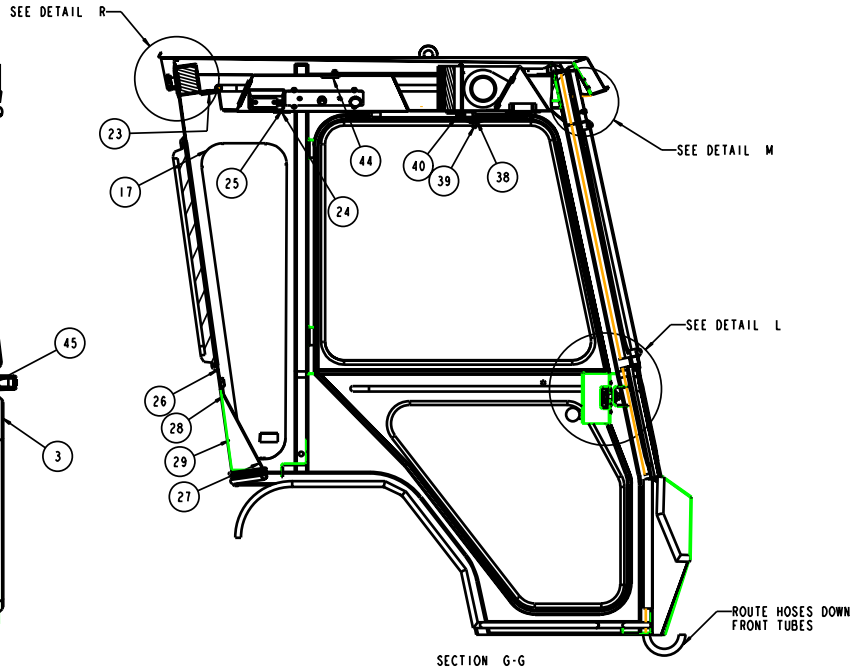
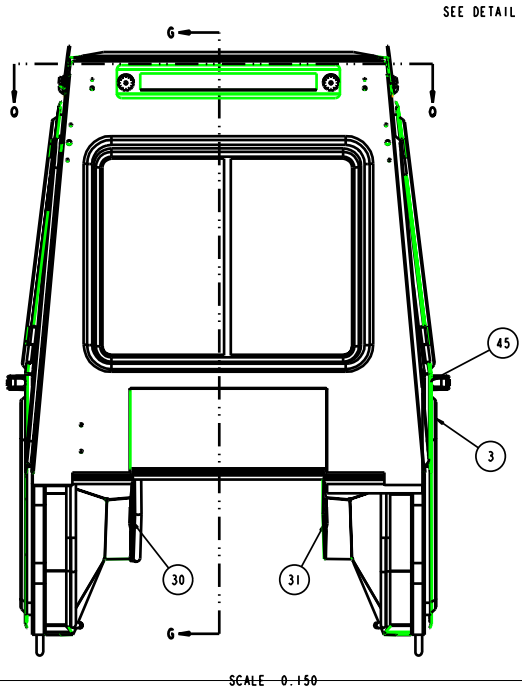
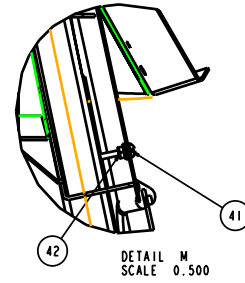
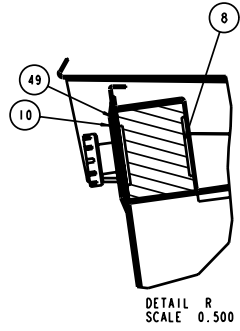
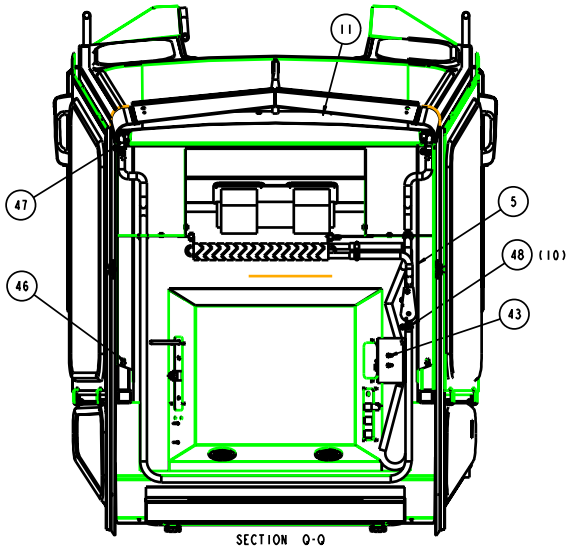


SCALE 0.200

SCALE 0.200

| | | |
|---|--|------------|
| TOLERANCES UNLESS NOTED OTHERWISE: X ± .00 XX ± .01 XXX ± .02 HOLE SIZE H/4H ANGLE ± 5° | CUSTOMER NAME & ADDR: JD 4110, 4115 | DATE SPEC: |
| | CUSTOM PRODUCTS 176 SOUTH GIBLEY AVE LITOPFIELD, MN 55355 | REV LEVEL: |
| CAB ASSEMBLY TOP LEVEL | DRW NO: 8-14172 SHEET 1 of 2 | REV LEVEL: |
| DATE: 7-11-02 | DRW CAD: D | REV LEVEL: |

| REV. | DCR NO. | DESCRIPTION | DRAFTSMAN | DATE |
|------|---------|-------------|-----------|------|
| | | | | |

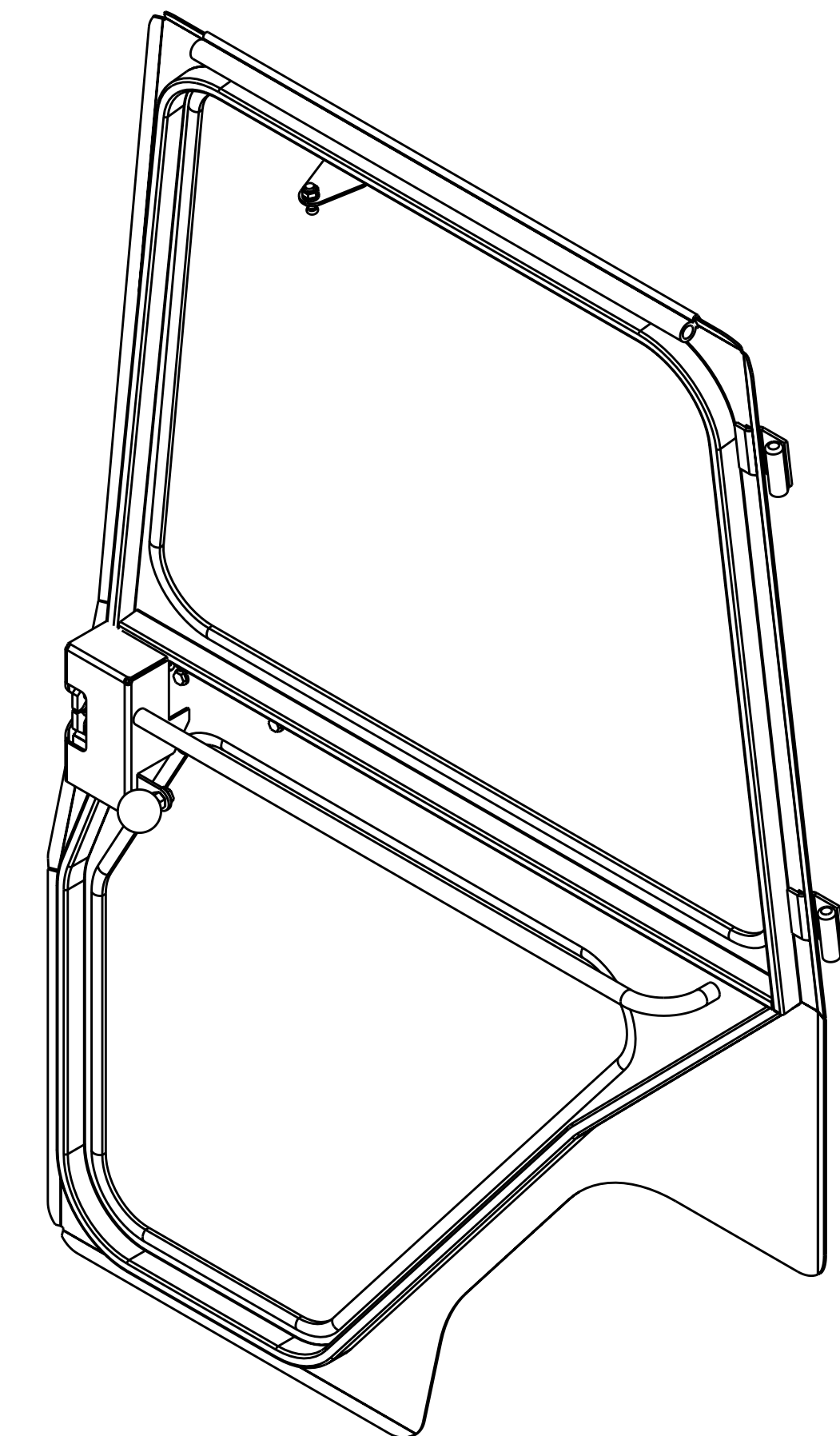
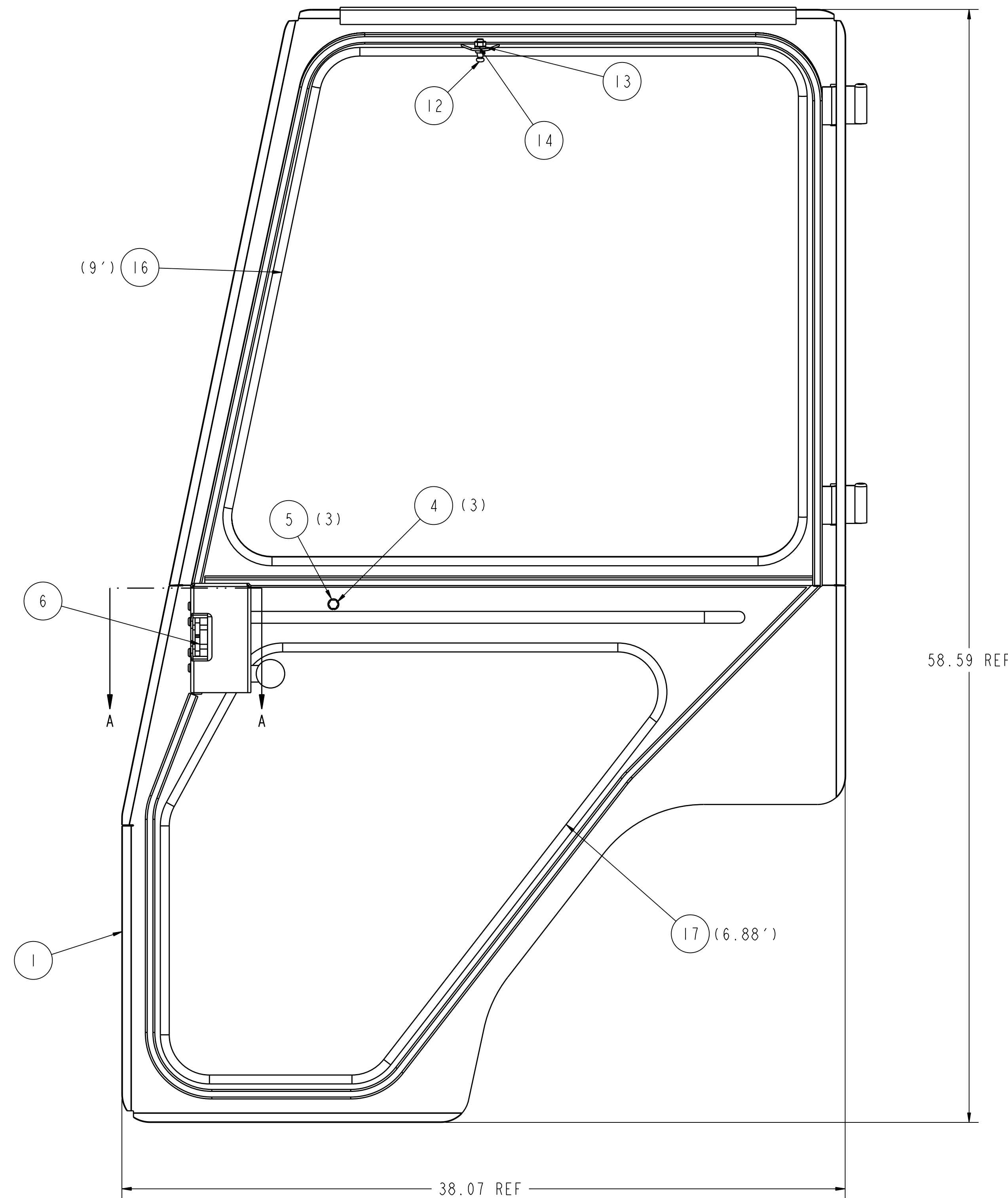
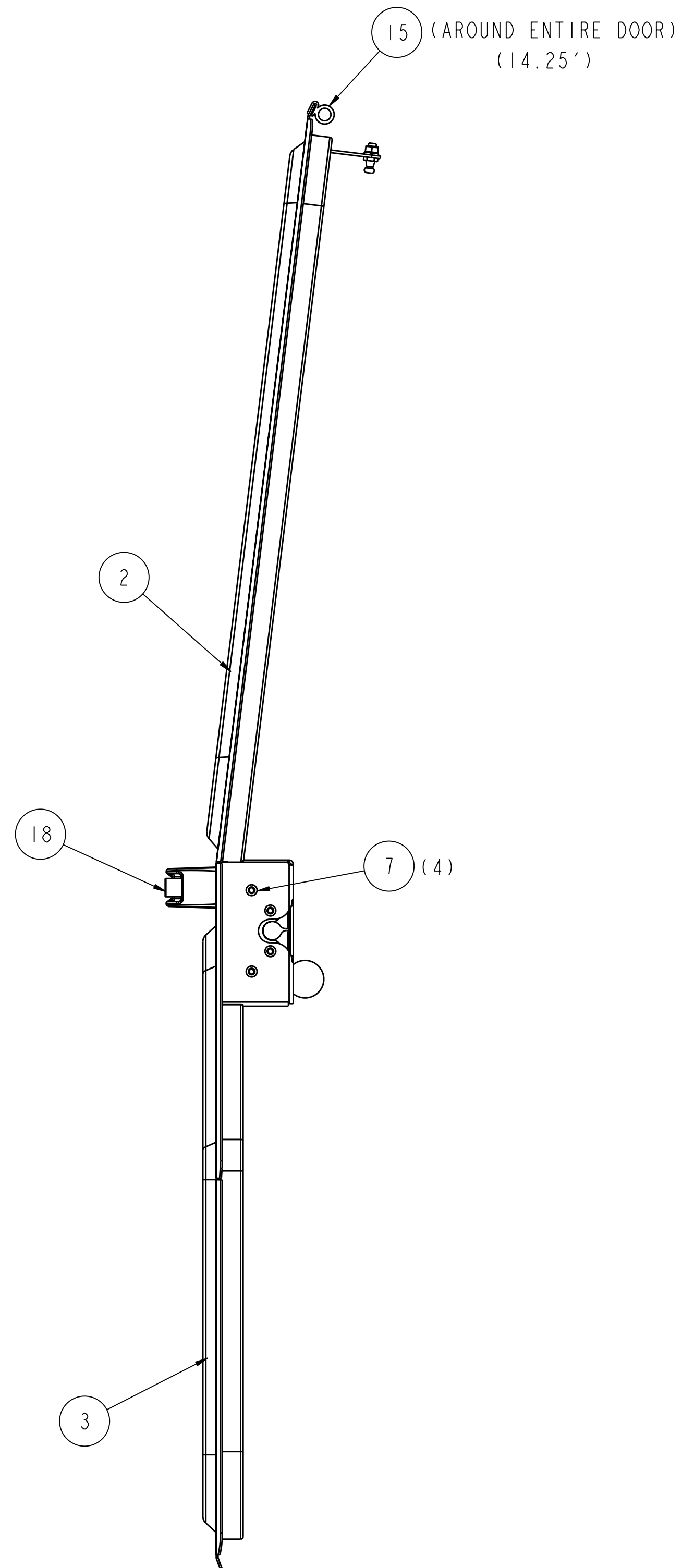
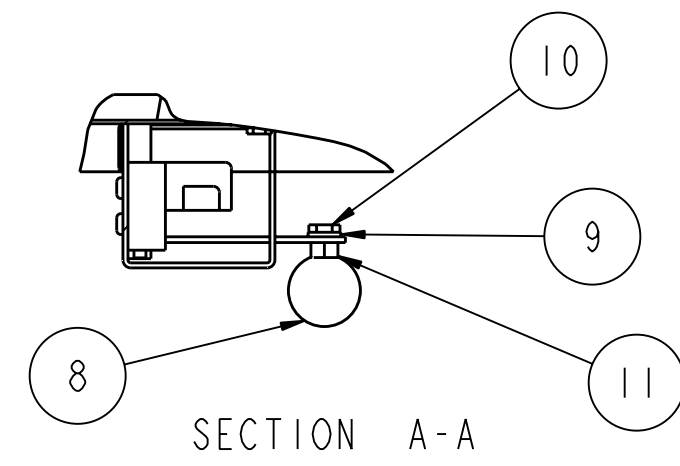


| | | |
|---|---|--------------|
| TOLERANCES UNLESS NOTED OTHERWISE: X ± .00 XX ± .01 XXX ± .02 HOLE SIZE H/48 ANGLE ± 5° | CUSTOMER NAME & MID NO. JD4110 AND 4115 | FILE SPEC. |
| | CUSTOM PRODUCTS 176 SOUTH GIBLEY AVE LITOTFIELD, MN 55355 | |
| REV. CAB ASSEMBLY TOP LEVEL | DRW. NO. 8-14172 | REV. LEVEL |
| | D SHEET 2 of 2 | |
| | DRWN. CAD | REV. 7-11-02 |

John Deere 4100, 4110 and 4115
A-11170 Replacement Parts

Right Door Assembly 8-14173

| <u>ITEM</u> | <u>QTY</u> | <u>PART NO.</u> | <u>DESCRIPTION</u> |
|-------------|------------|-----------------|--|
| 1 | 1 | 7-15075 | Right Door Weldment |
| 2 | 1 | 3-17178 | Upper Door Glass |
| 3 | 1 | 3-17179 | Lower Door Glass |
| 4 | 3 | 3-12692 | Hex-Head Bolt, M6-15 x 1" Long, Gr 8.8 |
| 5 | 3 | 3-10076 | .250 Lock Washer |
| 6 | 1 | 3-15640 | Latch, Rotary |
| 7 | 4 | 3-10106 | .250-20 NC X .630 Machine Screw |
| 8 | 1 | 3-14231 | Knob |
| 9 | 1 | 3-10078 | .375 Lock Washer |
| 10 | 1 | 3-10147 | .375-16 NC x 1.00 Hex Head Cap Screw |
| 11 | 1 | 3-10065 | .375-16 NC Hex Nut |
| 12 | 1 | 3-11821 | Ball Stud |
| 13 | 1 | 3-10077 | .312 Lock Washer |
| 14 | 1 | 3-10064 | .312-18 NC Hex Nut |
| 15 | 14.3 FT | 3-15952 | Trim Seal 90 degree bubble |
| 16 | 9.0 FT | 3-10649 | Window Rubber, Upper Right |
| 17 | 6.9 FT | 3-10649 | Window Rubber, Lower Right |
| 18 | 1 | 3-15574 | Handle, Exterior |



SCALE 0.188

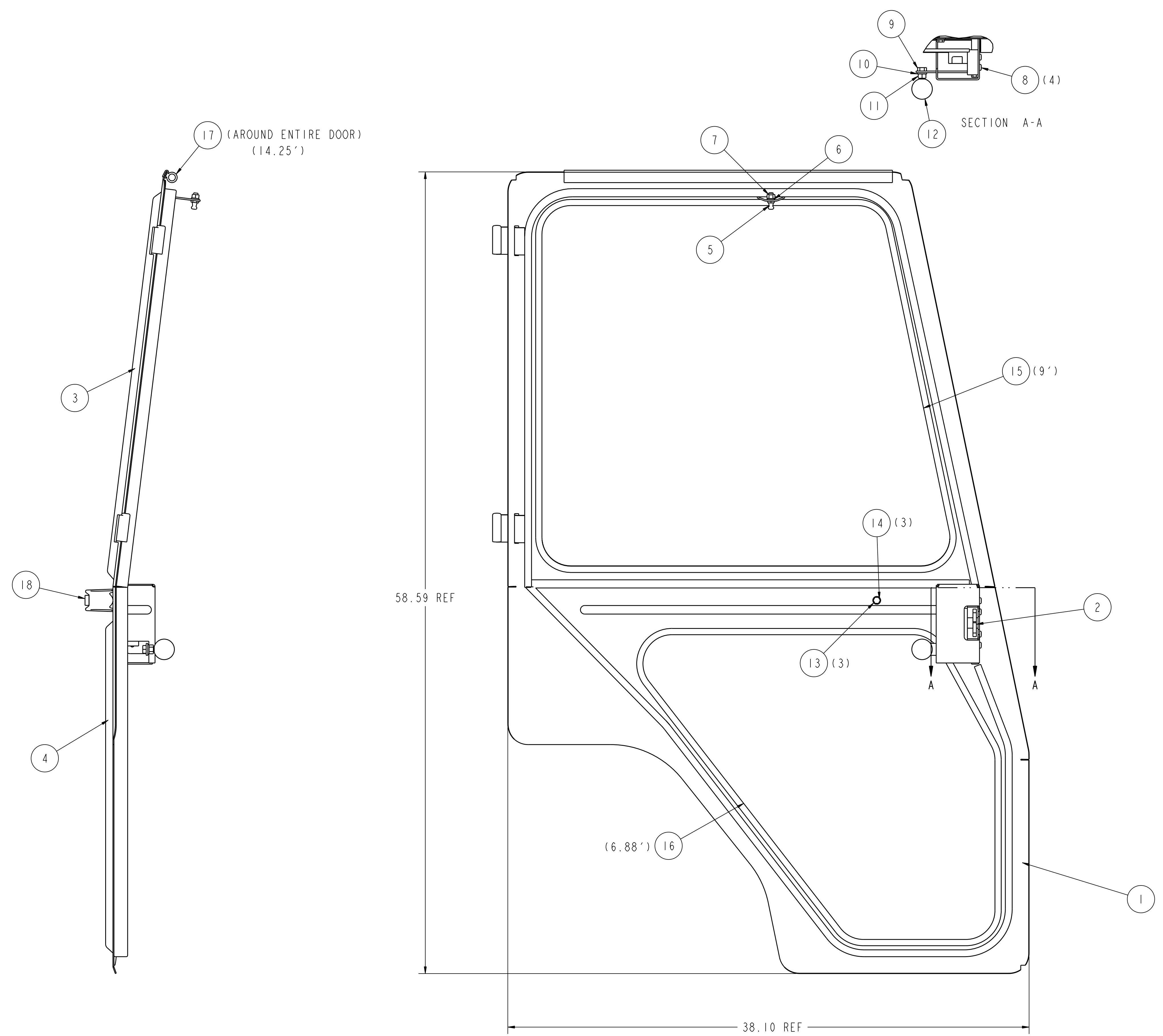
SCALE 0.250

| | | | | |
|---|--|---------------|----------------|-----------|
| TOLERANCES UNLESS NOTED OTHERWISE | CUSTOMER NAME & MOD NO: JD 4100 | | MATERIAL SPEC: | |
| | CUSTOM PRODUCTS 1715 SOUTH SIBLEY AVE. LITCHFIELD, MN 55355 | | | |
| X ± .09 | TITLE ASSEMBLY, DOOR RIGHT SIDE | DRWG SIZE | DRWG NO. | REV LEVEL |
| XX ± .06 | | D | 8-14173 | |
| XXX ± .03 | | DATE 11-10-98 | | |
| HOLE SIZE .0625 | | DRAWN: SLE | | |
| ANGLE ± 5° | | | | |

John Deere 4100, 4110 and 4115
A-11170 Replacement Parts

Left Door Assembly 8-14174

| <u>ITEM</u> | <u>QTY</u> | <u>PART NO.</u> | <u>DESCRIPTION</u> |
|-------------|------------|-----------------|--|
| 1 | 1 | 7-15076 | Left Door Weldment |
| 2 | 1 | 3-15567 | Latch, Rotary |
| 3 | 1 | 3-17178 | Upper Door Glass |
| 4 | 1 | 3-17179 | Lower Door Glass |
| 5 | 1 | 3-11821 | Ball Stud |
| 6 | 1 | 3-10077 | .312 Lock Washer |
| 7 | 1 | 3-10064 | .312-18 NC Hex Nut |
| 8 | 4 | 3-10106 | .250-20 NC X .630 Machine Screw |
| 9 | 1 | 3-10147 | .375-16 NC x 1.00 Hex-Head Cap Screw |
| 10 | 1 | 3-10078 | .375 Lock Washer |
| 11 | 1 | 3-10065 | .375-16 NC Hex Nut |
| 12 | 1 | 3-14231 | Knob |
| 13 | 3 | 3-10076 | .250 Lock Washer |
| 14 | 3 | 3-12692 | M6 x 1.00 Hex-Head Cap Screw |
| 15 | 9.0 FT | 3-10649 | Window Rubber, Upper Left |
| 16 | 6.9 FT | 3-10649 | Window Rubber, Lower Left |
| 17 | 14.3 FT | 3-15952 | Seal Rubber, 3/4" OD Bubble, Up to 1/8" Material |
| 18 | 1 | 3-15574 | Handle, Exterior |

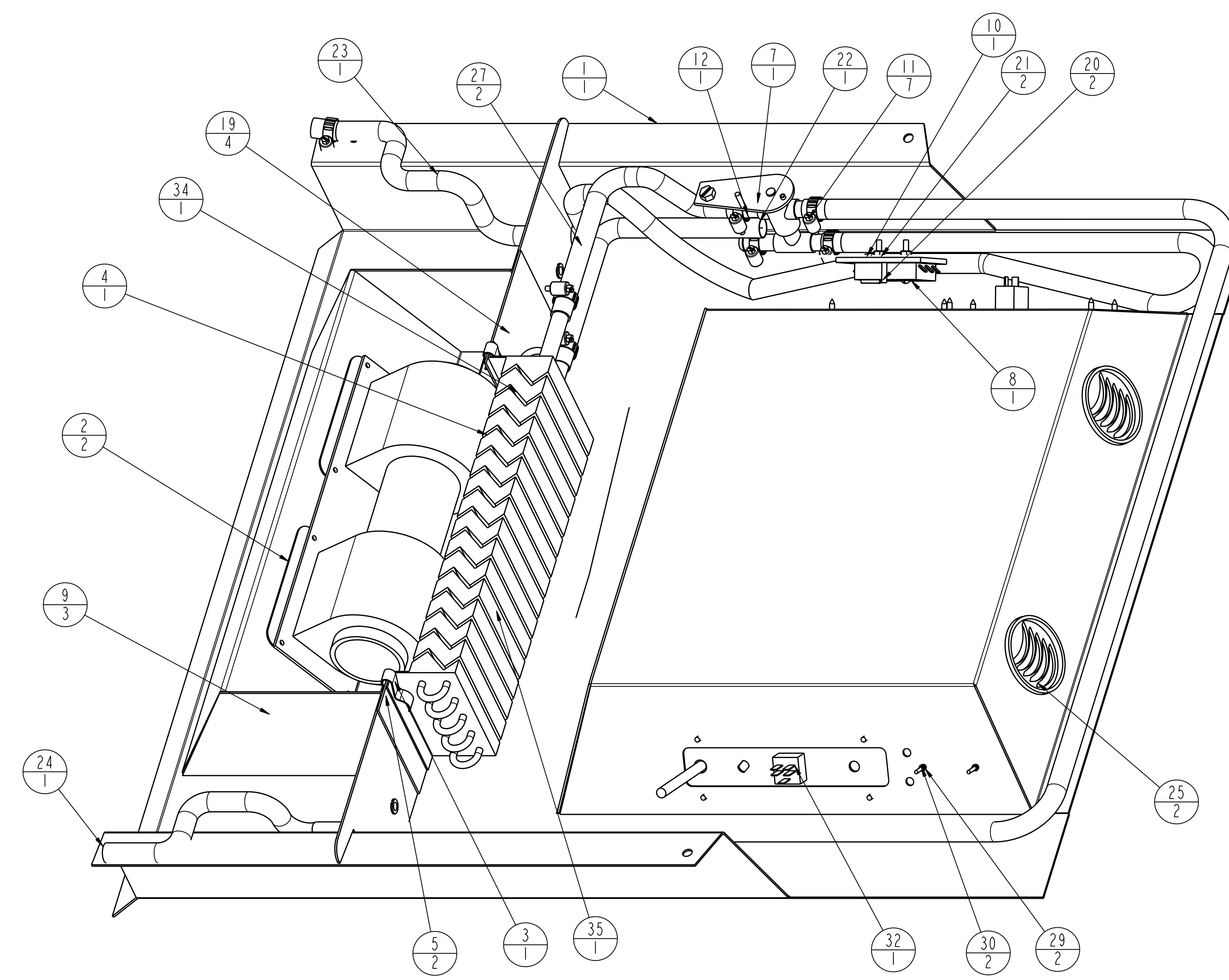


| | | | | |
|---|--|---------------|----------------|-----------|
| TOLERANCES UNLESS NOTED OTHERWISE | CUSTOMER NAME & MOD NO: JD 4100 | | MATERIAL SPEC: | |
| | CUSTOM PRODUCTS 1715 SOUTH SIBLEY AVE. LITCHFIELD, MN 55355 | | | |
| X ± .09 | TITLE ASSEMBLY, DOOR LEFT SIDE | DRWG SIZE | DRWG NO. | REV LEVEL |
| XX ± .06 | | D | 8-14174 | |
| XXX ± .03 | | DATE 11/10/98 | | |
| HOLE SIZE /06/-10 | | | | |
| ANGLE ± 5° | | | | |

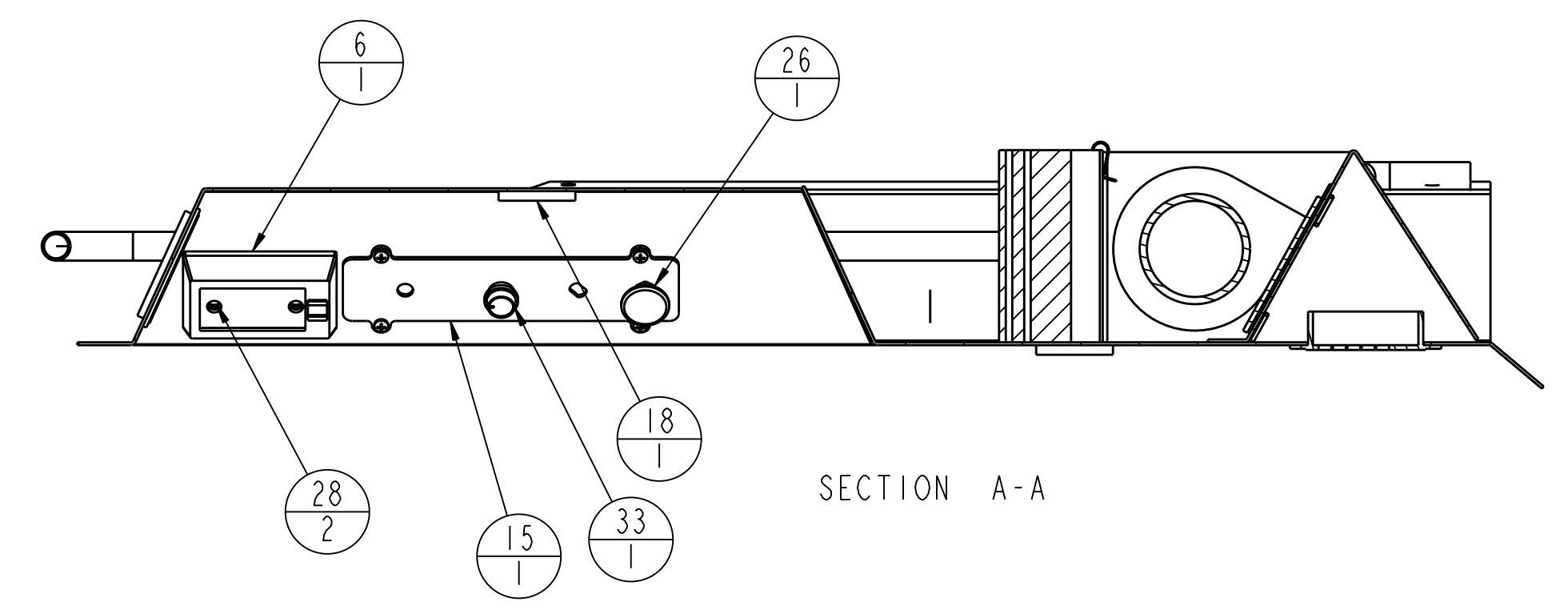
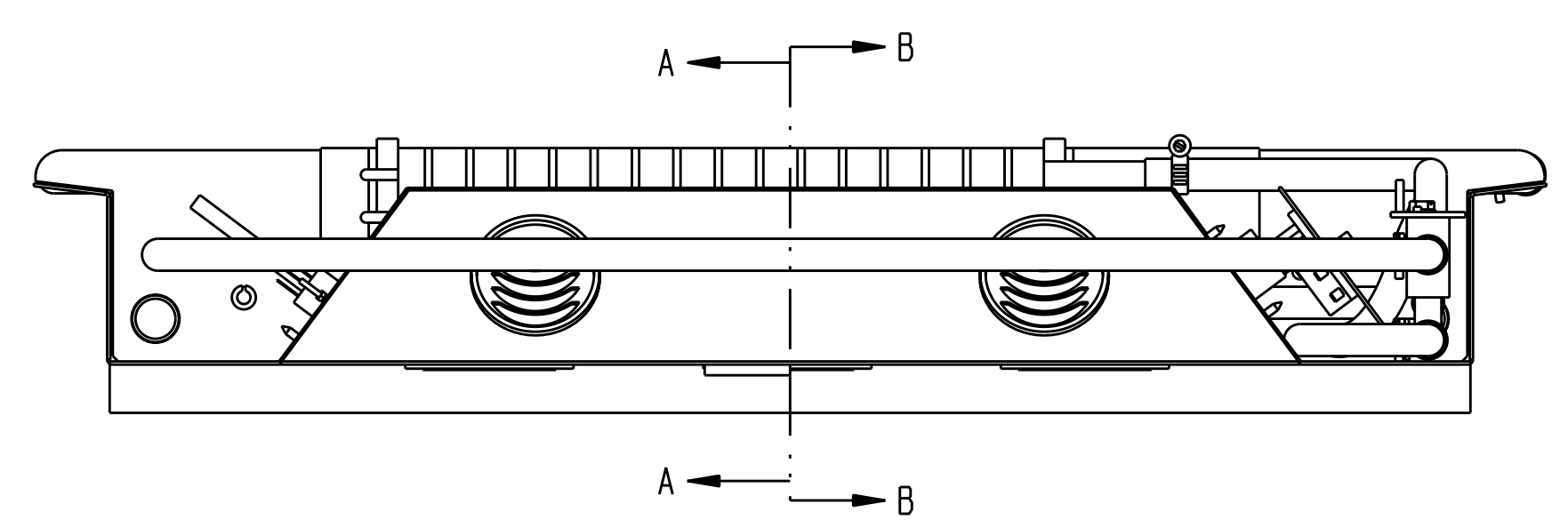
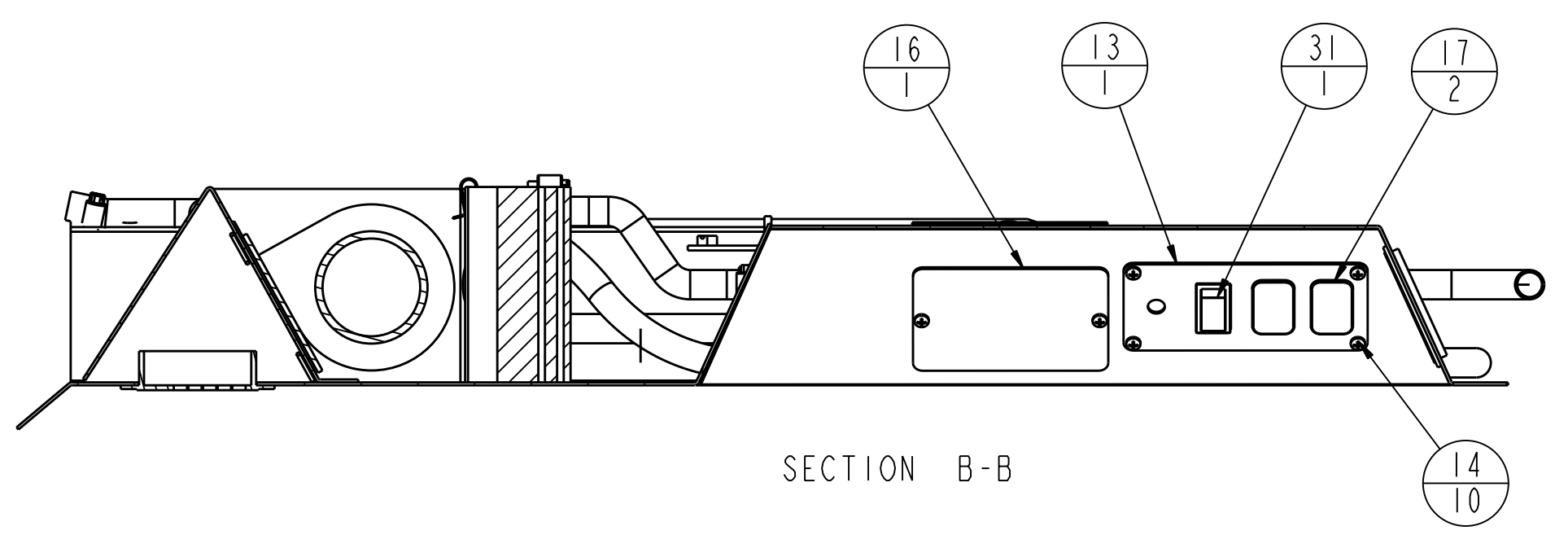
John Deere 4100, 4110 and 4115
A-11170 Replacement Parts

Headliner Assembly 8-14630

| <u>ITEM</u> | <u>QTY</u> | <u>PART NO.</u> | <u>DESCRIPTION</u> |
|-------------|------------|-----------------|--------------------------------------|
| 1 | 1 | 7-15105 | Headliner weldment |
| 2 | 2 | 3-11202 | Blower Gasket |
| 3 | 1 | 3-15935 | Dual Wheel Blower |
| 4 | 1 | 3-16572 | Heater Core |
| 5 | 2 | 3-16672 | Heater Core Flange Frame Clip |
| 6 | 1 | 3-16232 | Dome light, 12V |
| 7 | 1 | 3-16692 | Heater Temp. Control Valve |
| 8 | 1 | 3-16033 | Fuse Block |
| 9 | 3 | 3-15594 | Round Louver |
| 10 | 1 | 3-16580 | ATO/ATC Fuse, 30 AMP |
| 11 | 7 | 3-10858 | #10 Hose Clamp |
| 12 | 1 FT | 3-11172 | Heater Hose |
| 13 | 1 | 6-37263 | Wiper & Lights Switch Plate |
| 14 | 10 | 3-11812 | Self tap Screw, #10 x 6.25 |
| 15 | 1 | 6-37482 | Switch Mounting Plate |
| 16 | 1 | 6-36057 | Fuse Cover |
| 17 | 2 | 3-16677 | Rocker Switch Hole Plug |
| 18 | 1 | 6-39854 | Center Headliner Insulation |
| 19 | 4 | 3-10729 | Snap Bushing Grommet |
| 20 | 2 | 3-10099 | Machine Screw, #10-24 NC X 1.50 |
| 21 | 2 | 3-10308 | Nyloc Hex Nut, #10-24 NC |
| 22 | 1 FT | 3-11172 | Heater Hose |
| 23 | 5 FT | 3-11172 | Heater Hose |
| 24 | 7 FT | 3-11172 | Heater Hose |
| 25 | 2 | 3-15928 | Black Round Louver |
| 26 | 1 | 3-11149 | Heater Control Assembly Cable |
| 27 | 2 | 3-11738 | Grommet, 1.125 Dia. MTG Hole |
| 28 | 2 | 3-16984 | Machine Screw, #6-32 NC X 1.50 RH SL |
| 29 | 2 | 3-12637 | Hex Nut, #6-32 NC |
| 30 | 2 | 3-12638 | Washer, #6 Lock |
| 31 | 1 | 3-16274 | Rocker Switch |
| 32 | 1 | 3-15432 | Rotary Switch |
| 33 | 1 | 3-11173 | Blower Switch Knob |
| 34 | 1 | 3-11741 | Plug, Hole, Plastic, .750 Dia. |
| 35 | 1 | 6-39858 | Front Headliner Insulation |



SCALE 0.333



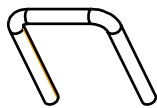
| | | | |
|--|--|-------------|-------------|
| TOLERANCES UNLESS NOTED OTHERWISE X ± .09 XX ± .06 XXX ± .03 HOLE SIZE /OE/ND ANGLE ± 5° | CUSTOMER NAME & MOD NO: JD 4100 | | MATL. SPEC: |
| | CUSTOM PRODUCTS 1715 SOUTH SIBLEY AVE. LITCHFIELD, MN 55355 | | |
| TITLE | DRWG. SIZE | DRWG. NO. | REV. LEVEL |
| HEADLINER ASSEMBLY | D | 8-14630 | |
| DRAWN: CAD | | DATE 7-2-02 | |

John Deere 4100, 4110 and 4115
A-11170 Replacement Parts

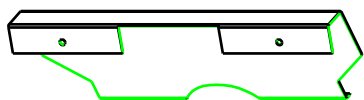
Mount Kit -Common 8-14176

| <u>ITEM</u> | <u>QTY</u> | <u>PART NO.</u> | <u>DESCRIPTION</u> |
|-------------|------------|-----------------|--|
| 1 | 2 | 6-39310 | Rear Mount |
| 2 | 2 | 6-39461 | Rear Mount Seal |
| 3 | 1 | 3-17871 | Left Floor mat |
| 4 | 1 | 3-17872 | Right Floor mat |
| 5 | 1 | 3-10002 | Hex-Head Bolt, 1/4-20 NC X 5/8" Long, Grd 5 |
| 6 | 3 | 3-10070 | Nyloc Hex Nut, .250-20 NC |
| 7 | 4 | 3-10077 | .312 Hel Spring Lock Washer |
| 8 | 6 | 3-10079 | .500 Hel Spring Lock Washer |
| 9 | 2 | 3-10084 | .250 Flat Washer |
| 10 | 12 | 3-10087 | .500 Flat Washer |
| 11 | 4 | 3-10123 | Hex-Head Bolt, M8-25 X 1-1/4" Long, Grd 8.8 |
| 12 | 4 | 3-10131 | Hex-Head Bolt, .50-1 3 NC x 3.00, Grade 5 |
| 13 | 4 | 3-10220 | Hex-Head Bolt, 1/4-20 NC X 1" Long, Grd 5 |
| 14 | 12 | 3-10379 | Nyloc Hex Nut, .50-113 NC |
| 15 | 4 | 3-13295 | Hex-Head Bolt M 12 x 30 x 1.75 C 933 C 10.9 |
| 16 | 4 | 3-16635 | Rubber Mount |
| 17 | 1 | 05-10324 | Mounting Instructions |
| 18 | 4 | 3-16636 | Snubbing Washer 1/2" |
| 19 | 1 | 8-14232 | Heater Hook Up Kit |
| 20 | 1 | 8-14239 | Rear Seal Panel Asy |
| 21 | 3 | 3-11812 | Self tap screw |
| 22 | 1 | 6-39863 | Insulation |
| 23 | 4 FT | 3-15068 | Seal Rubber, 3/8" OD Bubble, Up to 1/8" Material |
| 24 | 1 | 6-42329 | Relay Breaker Mount |
| 25 | 4 | 3-17278 | U-Bolt, 1/2-13unc |
| 26 | 2 | 8-14639 | Dual light wire extension kit |
| 27 | 1 | 3-17803 | Universal wire breaker relay harness |
| 28 | 1 | 7-15661 | LH Dual Light Mount |
| 29 | 1 | 7-15662 | RH Dual Light Mount |

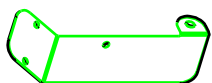
| REV. | DCR NO. | DESCRIPTION | DRAFTSMAN | DATE |
|------|---------|----------------------------------|-----------|---------|
| A | | COMMON MOUNT KIT PARTS 4100-4115 | CAD | 8-21-02 |



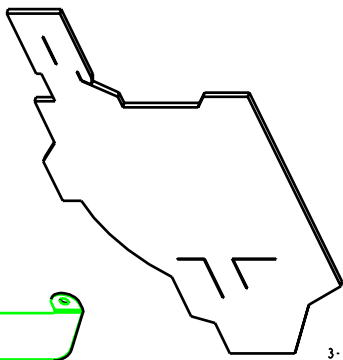
3-17278
U-BOLT 1/2-13UNC
(4) REQ'D PER CAB



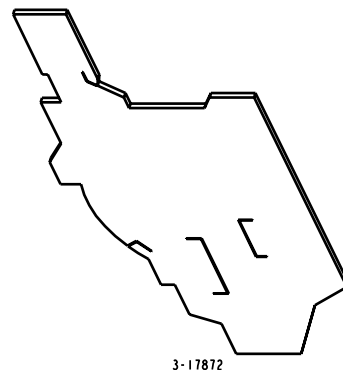
8-14239
REAR SEAL PANEL ASY
(1) REQ'D PER CAB



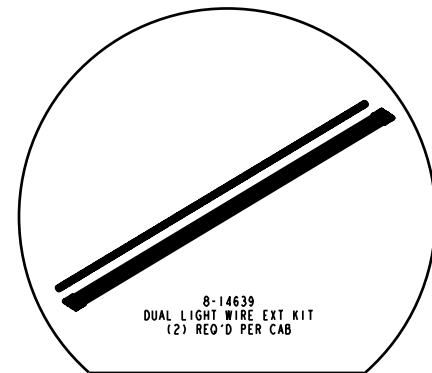
6-42329
RELAY-BREAKER MOUNT
(1) REQ'D (USED ON 4115 CAB)



3-17871
FLOOR MAT LH
(1) REQ'D PER CAB

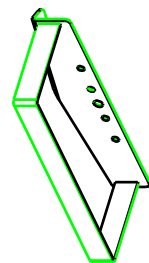


3-17872
FLOOR MAT RH
(1) REQ'D PER CAB

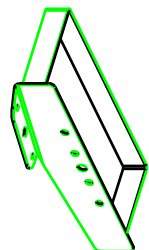


8-14639
DUAL LIGHT WIRE EXT KIT
(2) REQ'D PER CAB

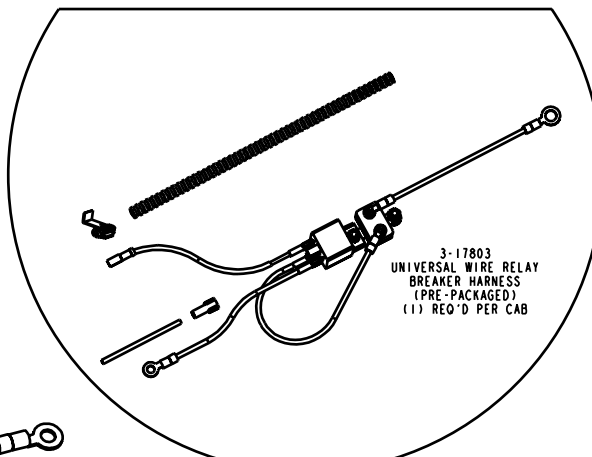
- 3-16636
SNUBBING WASHER 1/2"
(4) REQ'D PER CAB
- 3-16635
RUBBER MOUNT
(4) REQ'D PER CAB
- 6-39310
REAR MOUNT
(2) REQ'D PER CAB
- 3-10079
LOCK WASHER 1/2"
(6) REQ'D PER CAB
- 6-39461
REAR MOUNT SEAL
(2) REQ'D PER CAB
- 3-10077
LOCK WASHER 5/16"
(4) REQ'D PER CAB
- 3-10084
FLAT WASHER 1/4"
(2) REQ'D PER CAB
- 3-10379
NYLOC HEX NUT
1/2-13UNC
(12) REQ'D PER CAB
- 3-11812
SLEF TAP SCREW
(3) REQ'D PER CAB
- 3-10070
NYLOC HEX NUT
1/4-20UNC
(3) REQ'D PER CAB
- 3-10123
HEX HEAD CAP SCREW
M8 x 25MM x 1.25 GR 8.8
(4) REQ'D PER CAB
- 3-10131
HEX HEAD CAP SCREW
1/2-13UNC x 3.00 LG
(4) REQ'D PER CAB
- 3-10002
HEX HEAD CAP SCREW
1/4-20UNC x 5/8" LG
(1) REQ'D PER CAB
- 3-13295
HEX HEAD CAP SCREW
M12 x 30MM 1.75 GR 10.9
(4) REQ'D PER CAB
- 3-10220
HEX HEAD CAP SCREW
3/8-16UNC x 1.00 LG GR 5
(4) REQ'D PER CAB



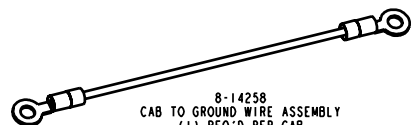
7-15662
RH DUAL LIGHT MOUNT BRKT
(1) REQ'D PER CAB



7-15661
LH DUAL LIGHT MOUNT BRKT
(1) REQ'D PER CAB



3-17803
UNIVERSAL WIRE RELAY
BREAKER HARNESS
(PRE-PACKAGED)
(1) REQ'D PER CAB



8-14258
CAB TO GROUND WIRE ASSEMBLY
(1) REQ'D PER CAB

MOUNT KIT CROSS REFERENCE NOTES:
MODEL 4100 - MOUNT KIT #8-14241
MODEL 4110 - MOUNT KIT #8-14647
MODEL 4115 - MOUNT KIT #8-14648

ALL MODELS REQUIRE LOADER MOUNTS PURCHASED
DIRECT FROM JOHN DEERE

NOT SHOWN ITEMS LIST

| ITEM | QTY | DESCRIPTION |
|------|------|---|
| 19 | 1 EA | 05-10324 INSTRUCTION MANUAL AUGUST 2002 |
| 21 | 1 EA | 8-14232 HEATER HOOKUP KIT |
| 33 | 1 EA | 6-39863 POLYFOAM |
| 34 | 4 FT | 3-15068 TRIM SEAL |

| | | | |
|-----------------------------------|--|---|---------|
| TOLERANCES UNLESS NOTED OTHERWISE | | THIS DOCUMENT CONTAINS CONFIDENTIAL INFORMATION AND IS THE PROPERTY OF CUSTOM PRODUCTS OF LITKO/LESTER, INC. AND MAY BE COPIED, REPRODUCED OR DISCLOSED TO ANY OTHER PARTY WITHOUT WRITTEN CONSENT FROM CUSTOM PRODUCTS OF LITKO/LESTER, INC. | |
| CUSTOMER NAME & MTD NO: | | FILE NO: | |
| CUSTOM PRODUCTS | | 8-14176 | |
| 776 SOUTH GALEY AVE | | 1 of 1 | |
| LITKO/LESTER, MN 55355 | | A | |
| DATE | COMMON MOUNT KIT COMPONENTS FOR JD 4100 SERIES | REV. DATE | 7-30-02 |

John Deere 4100, 4110 and 4115
A-11170 Replacement Parts

Replacement Parts List
Mount Kit for 4100
8-14241

| <u>ITEM</u> | <u>QTY</u> | <u>PART NO.</u> | <u>DESCRIPTION</u> |
|-------------|------------|-----------------|---------------------------------------|
| 1 | 1 | 6-42584 | Left Front Mount Plate 4100 and 4110 |
| 2 | 1 | 6-42585 | Right Front Mount Plate 4100 and 4110 |
| 3 | 1 | 8-14240 | Hood Panel for 4100 and 4115 |

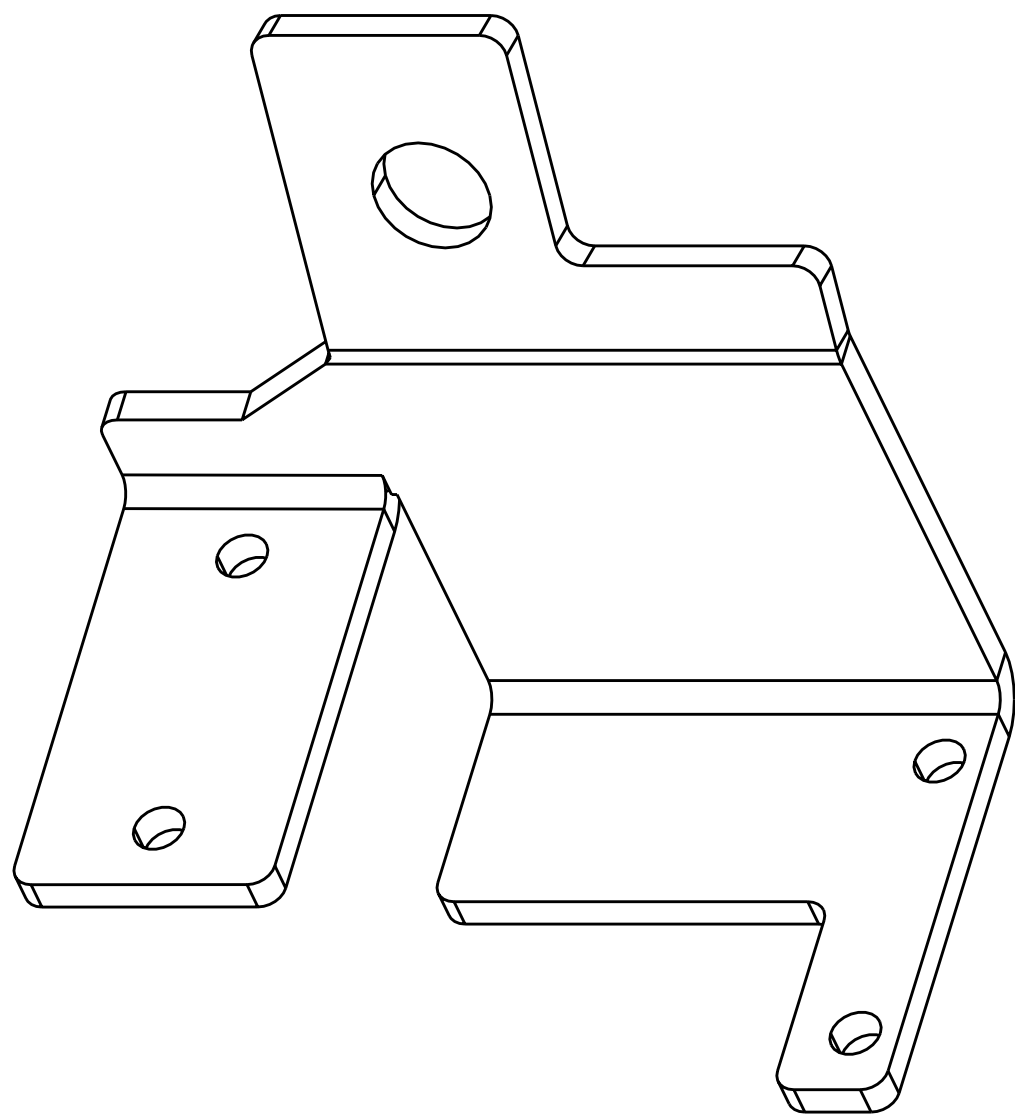
Replacement Parts List
Mount Kit for 4110
8-14647

| <u>ITEM</u> | <u>QTY</u> | <u>PART NO.</u> | <u>DESCRIPTION</u> |
|-------------|------------|-----------------|---------------------------------|
| 1 | 1 | 6-42584 | Left Front Mount 4100 and 4110 |
| 2 | 1 | 6-42585 | Right Front Mount 4100 and 4110 |
| 3 | 1 | 8-14649 | Hood Panel for 4110 -ONLY |

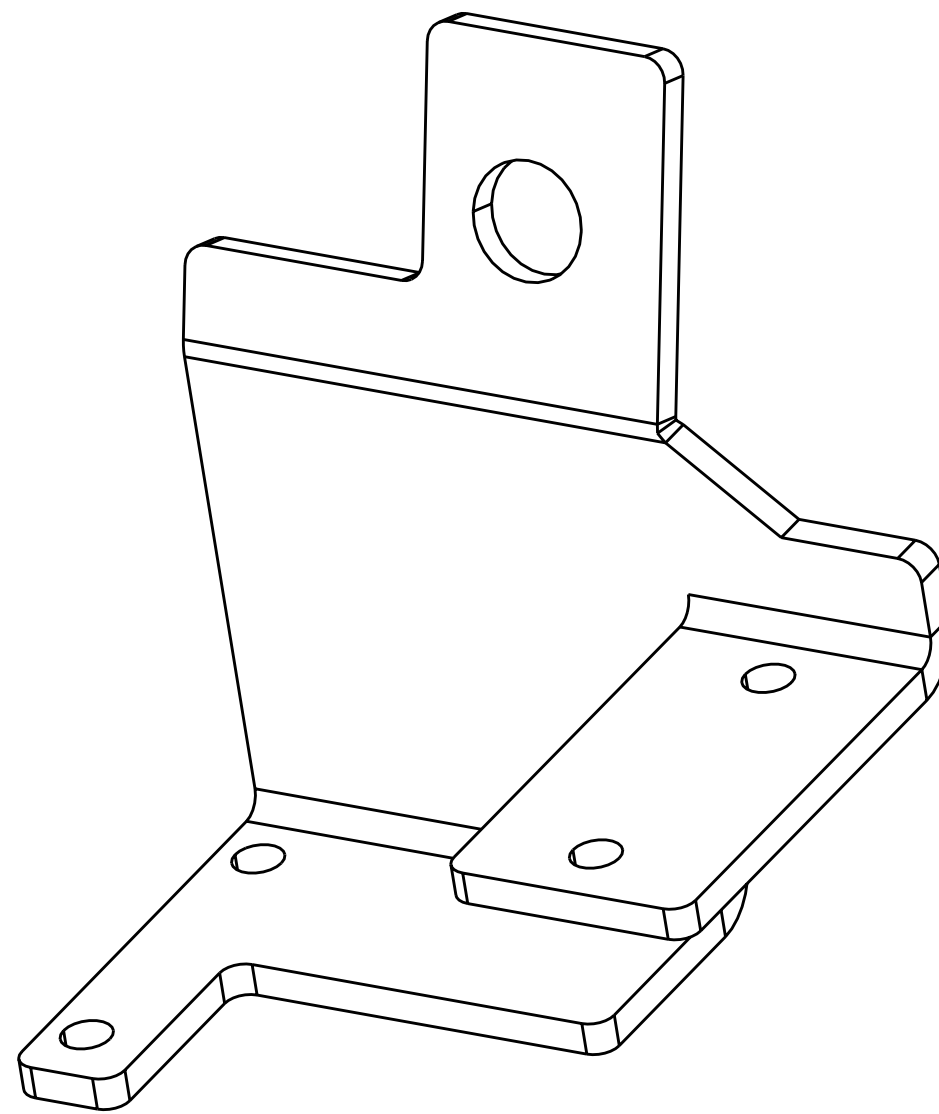
Replacement Parts List
Mount Kit for 4115
8-14648

| <u>ITEM</u> | <u>QTY</u> | <u>PART NO.</u> | <u>DESCRIPTION</u> |
|-------------|------------|-----------------|--|
| 1 | 1 | 6-42584 | Left Front Mount Plate for 4115 -ONLY |
| 2 | 1 | 6-42585 | Right Front Mount Plate for 4115 -ONLY |
| 3 | 1 | 8-14240 | Hood Panel for 4100 and 4115 |

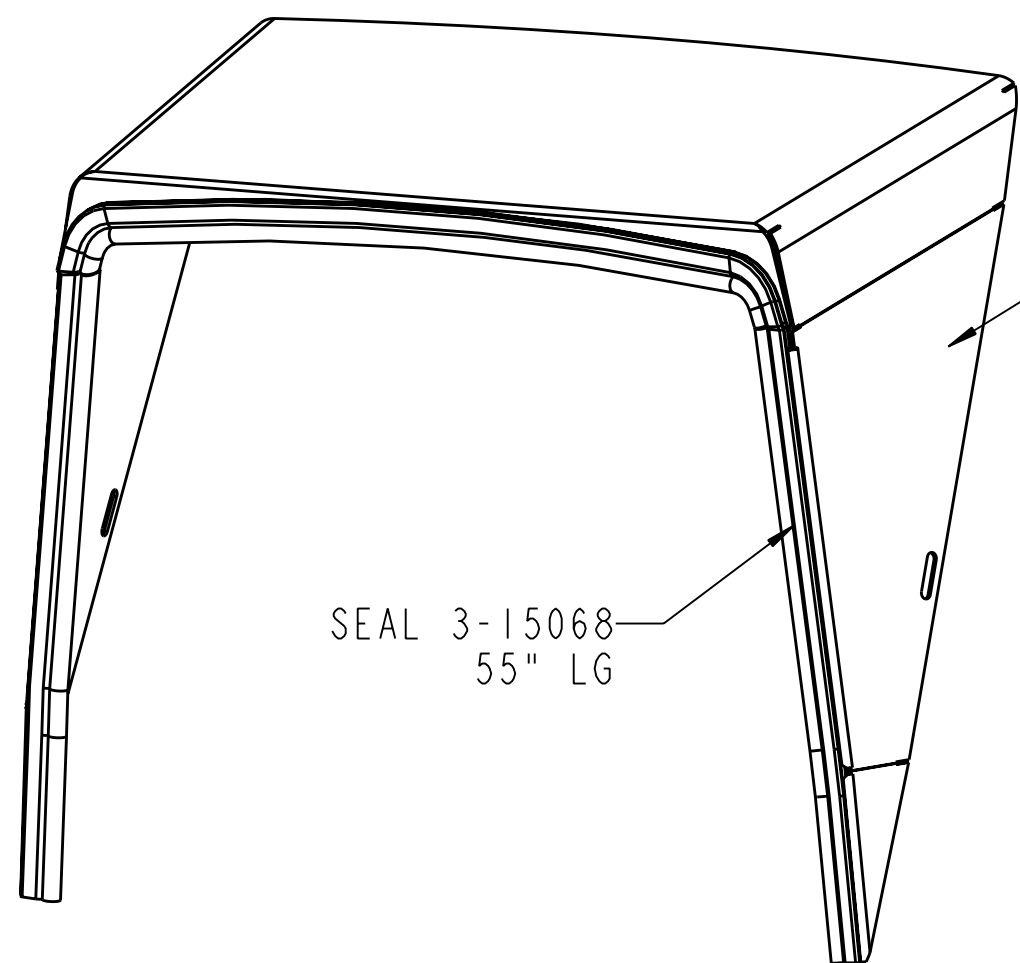
| REV. | DCR NO. | DESCRIPTION | DRAFTSMAN | DATE |
|------|---------|-----------------|-----------|---------|
| A | | PER 4100 UPDATE | CAD | 8-21-02 |



6-39308
LEFT FRONT MOUNT
(1) REQUIRED



6-39309
RIGHT FRONT MOUNT
(1) REQUIRED



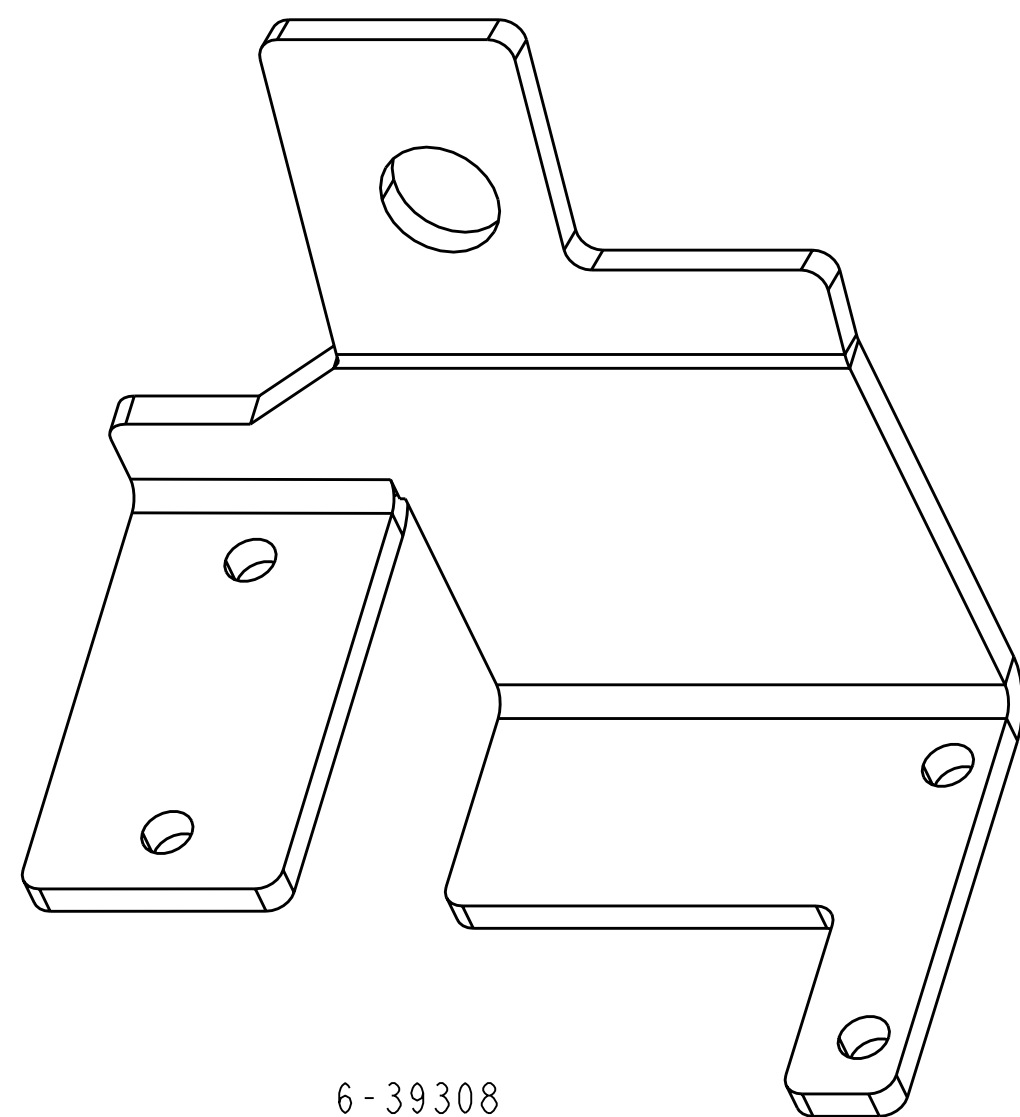
8-14240
HOOD FOR 4100 (AND 4115 MODELS)
(1) REQUIRED PER CAB

HOOD WELDMENT
REF 7-15433

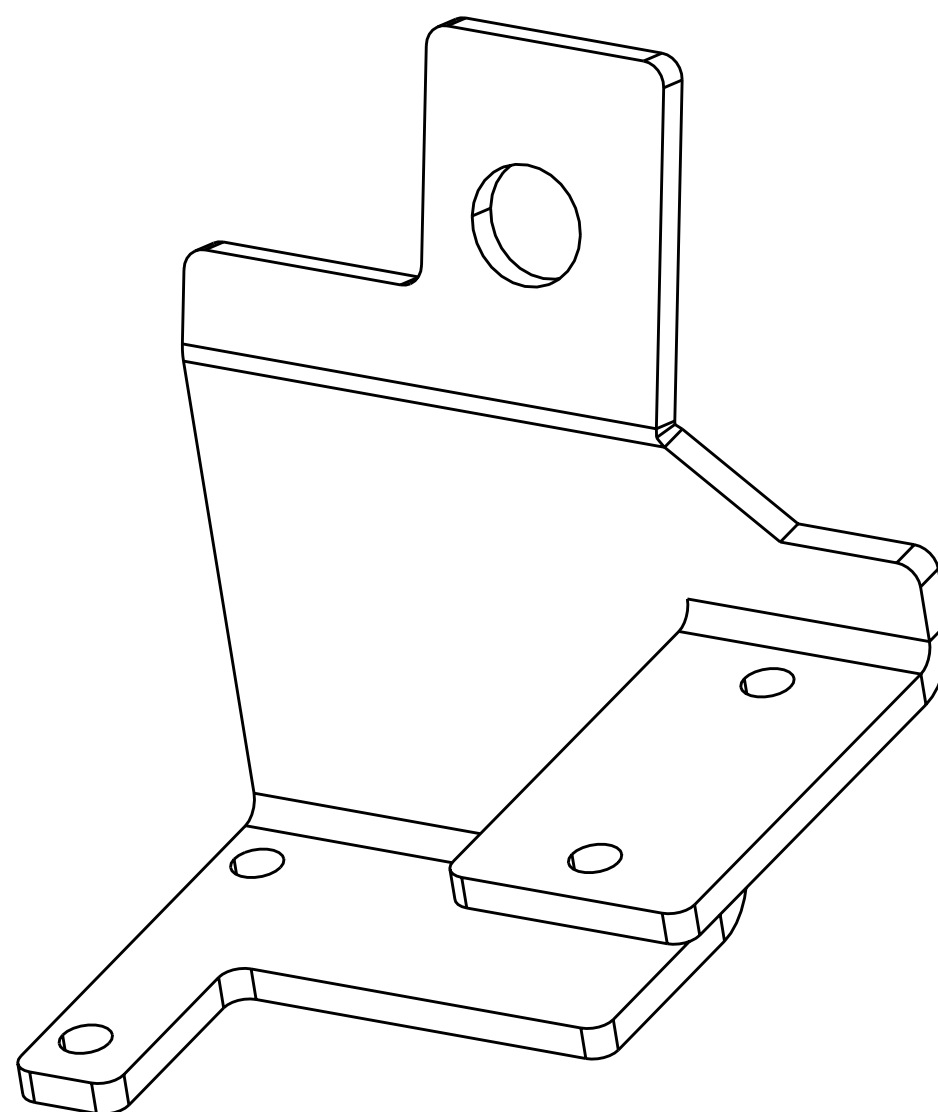
SEAL 3-15068
55" LG

| | | | | |
|--|--|--|-----------------------|---------------------|
| TOLERANCES UNLESS NOTED OTHERWISE | CUSTOMER NAME & MOD NO: JD 4100 | | MATL SPEC: | |
| | CUSTOM PRODUCTS 1715 SOUTH SIBLEY AVE. LITCHFIELD, MN 55355 | | | |
| X ± .09 .XX ± .06 .XXX ± .03 HOLE SIZE +.06/-0.0 ANGLE ± 5° | TITLE MOUNT KIT FOR JD 4100 -ONLY- | | DRWG SIZE C | DRWG NO. 8-14241 |
| | | | REV LEVEL A | |
| DRAWN: JKN DATE 3/22/99 | | | | |

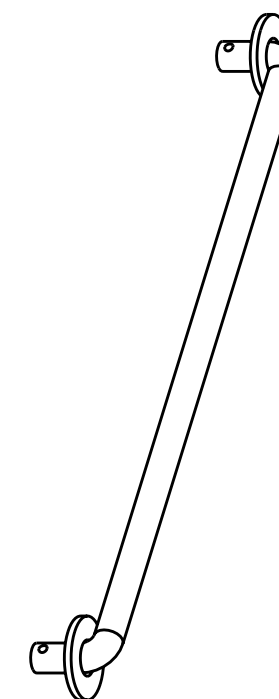
| REV. | DCR NO. | DESCRIPTION | DRAFTSMAN | DATE |
|------|---------|------------------|-----------|---------|
| A | | PER 4110 RELEASE | CAD | 8-21-02 |



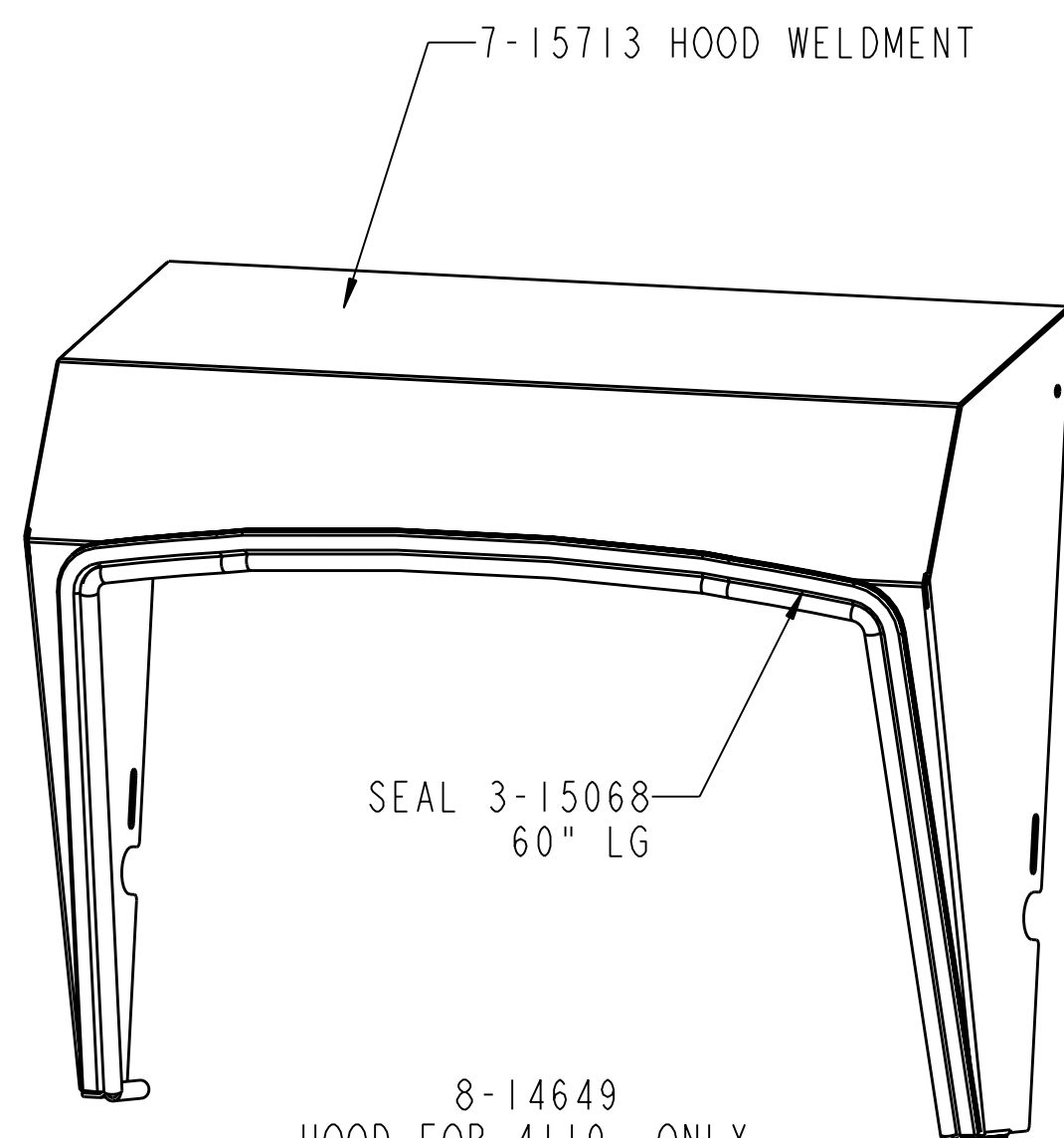
6-39308
LEFT FRONT MOUNT
(1) REQUIRED



6-39309
RIGHT FRONT MOUNT
(1) REQUIRED



7-15714
4110 HOOD ROD WELDMENT
(1) REQUIRED
MUST BE USED FOR
PROPER HOOD ACCESS

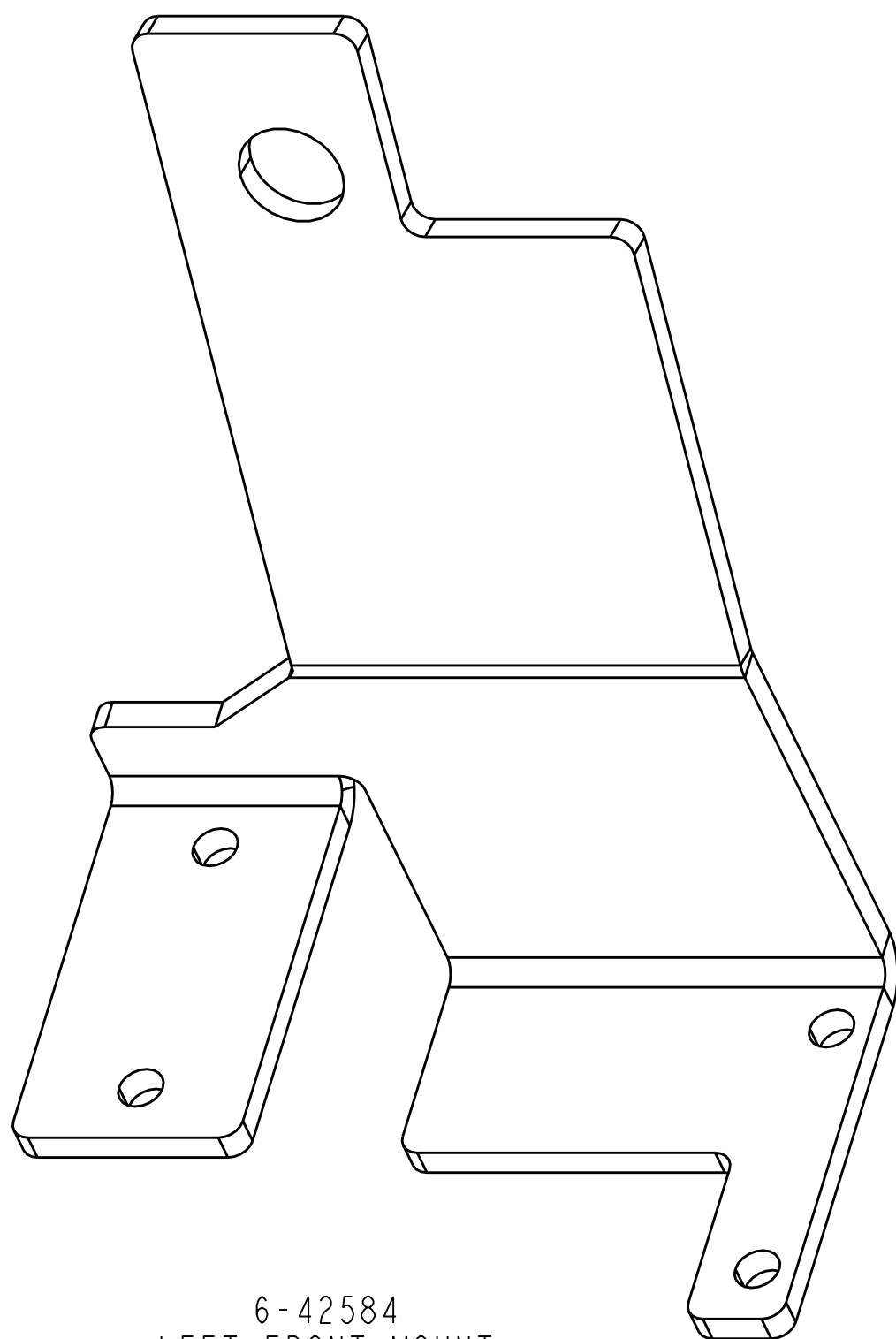


8-14649
HOOD FOR 4110 -ONLY-
(1) REQUIRED PER CAB

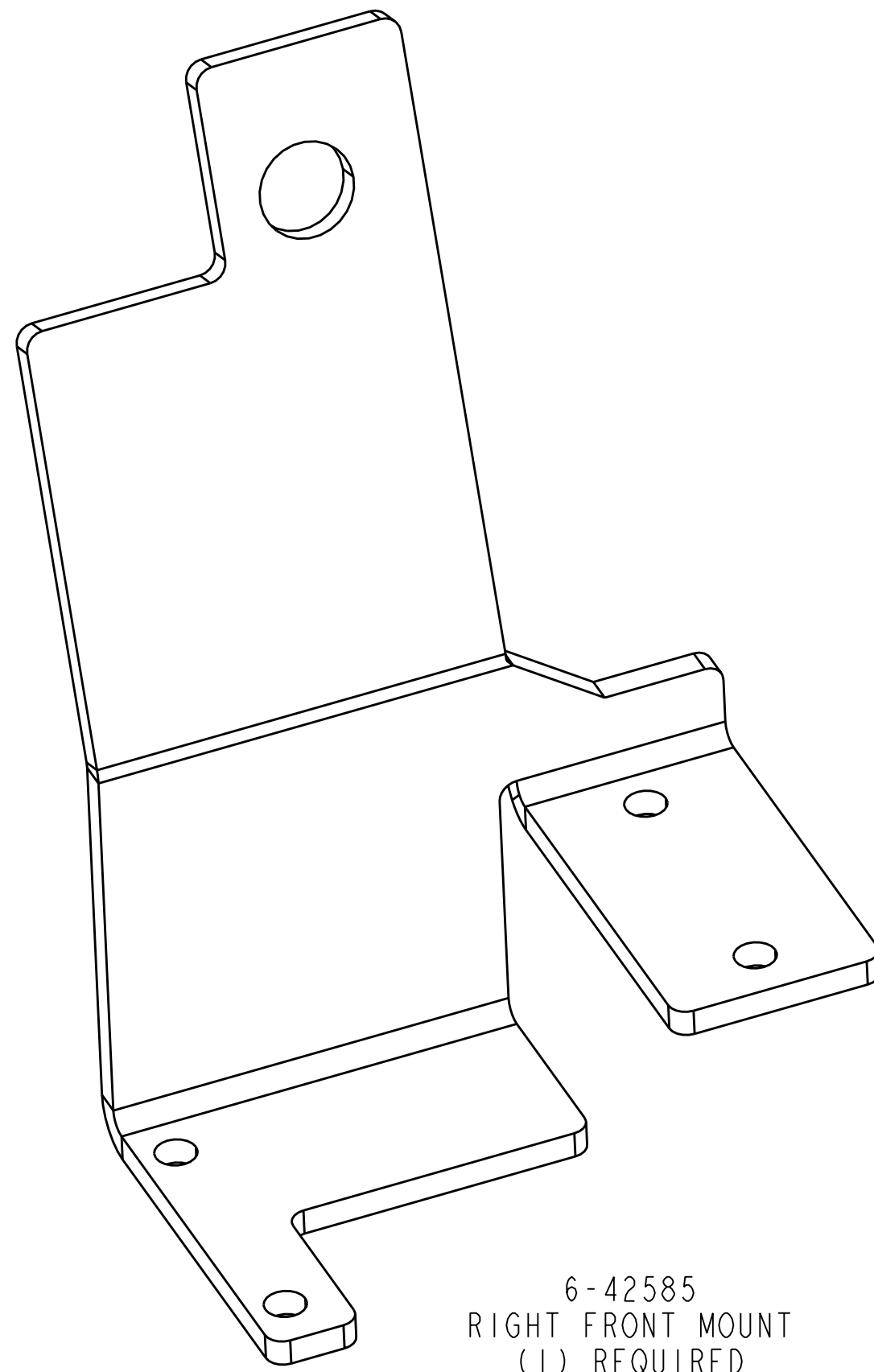
NOTE: FUEL COVER LID NEEDS TO BE MODIFIED
BY CUSTOMER FOR PROPER HOOD ACCESSING

| | | | | |
|--|--|-------------------------|------------|-----------|
| TOLERANCES UNLESS NOTED OTHERWISE | CUSTOMER NAME & MOD NO: JD 4110 | | MATL SPEC: | |
| | CUSTOM PRODUCTS 1715 SOUTH SIBLEY AVE. LITCHFIELD, MN 55355 | | | |
| X ± .09 .XX ± .06 .XXX ± .03 HOLE SIZE 1/16 ± .010 ANGLE ± 5° | TITLE | DRWG SIZE | DRWG NO. | REV LEVEL |
| | MOUNT KIT FOR JD 4110 -ONLY- | C | 8-14647 | A |
| | | DRAWN: JKN DATE 3/22/99 | | |

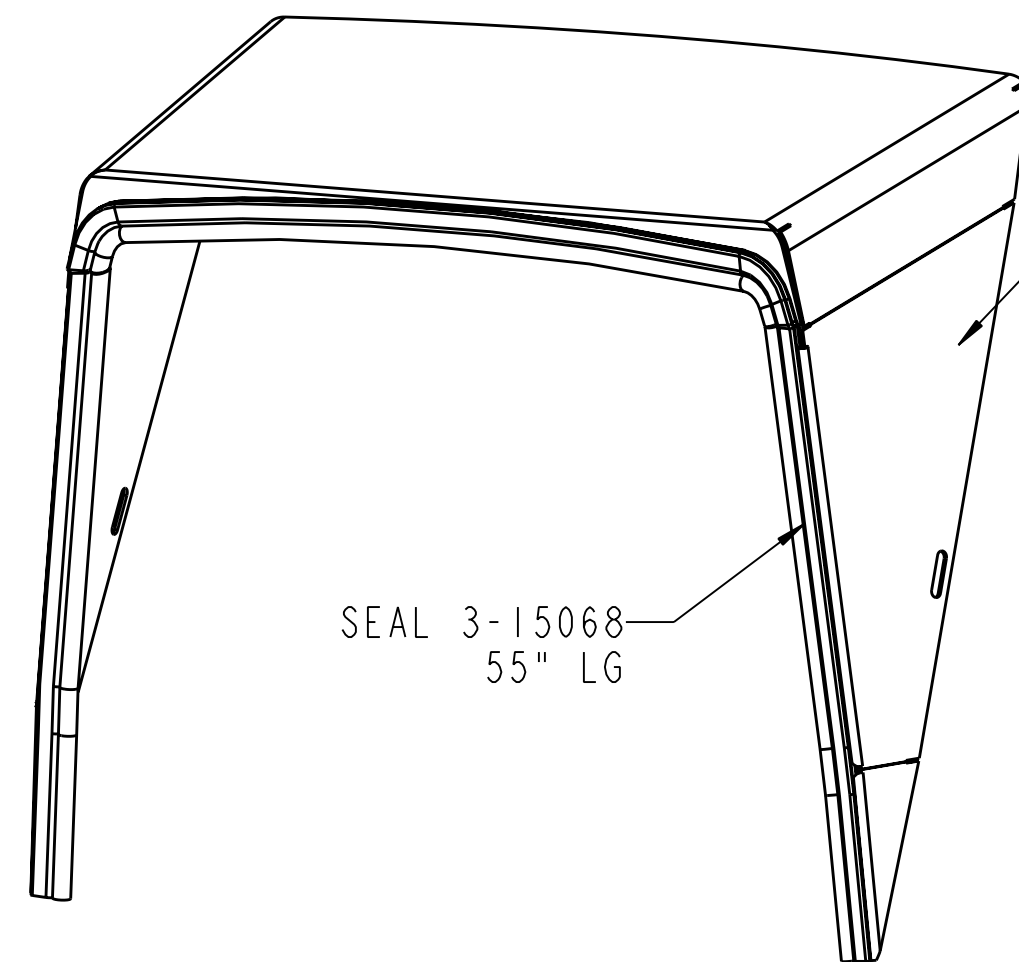
| REV. | DCR NO. | DESCRIPTION | DRAFTSMAN | DATE |
|------|---------|-----------------|-----------|---------|
| A | | PER 4115 UPDATE | CAD | 8-21-02 |



6-42584
LEFT FRONT MOUNT
(1) REQUIRED



6-42585
RIGHT FRONT MOUNT
(1) REQUIRED



SEAL 3-15068
55" LG

HOOD WELDMENT
REF 7-15433

8-14240
HOOD FOR 4115 (AND 4100) MODELS
(1) REQUIRED PER CAB

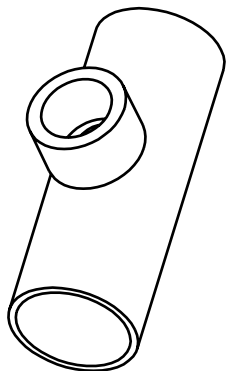
| | | | | |
|--|--|-----------|------------|-----------|
| TOLERANCES UNLESS NOTED OTHERWISE | CUSTOMER NAME & MOD NO: JD 4115 | | MATL SPEC: | |
| | CUSTOM PRODUCTS 1715 SOUTH SIBLEY AVE. LITCHFIELD, MN 55355 | | | |
| X ± .09 .XX ± .06 .XXX ± .03 HOLE SIZE +.06/-0.0 ANGLE ± 5° | TITLE | DRWG SIZE | DRWG NO. | REV LEVEL |
| | MOUNT KIT FOR JD 4115 -ONLY- | C | 8-14648 | A |
| | | DRAWN | DATE | |
| | | JKN | 3/22/99 | |

John Deere 4100, 4110 and 4115
A-11170 Replacement Parts

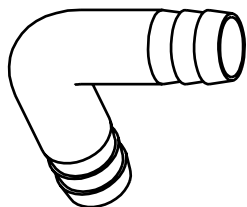
Heater Kit 8-14232

| <u>ITEM</u> | <u>QTY</u> | <u>PART NO.</u> | <u>DESCRIPTION</u> |
|-------------|------------|-----------------|-------------------------------|
| 1 | 1 | 7-11308 | Heater Tee Weldment |
| 2 | 2 | 3-10282 | 90 degrees Plastic Tee |
| 3 | 4 | 3-10725 | Nylon Wire Ties |
| 4 | 6 | 3-10858 | # 10 Hose Clamp |
| 5 | 8 FT | 3-11172 | Heater Hose |
| 6 | 1 | 3-15815 | Aluminum Adapter Fitting |
| 7 | 2 | 3-13442 | # 16 Hose Clamp |
| 8 | 1 | 3-16823 | O-Ring |
| 9 | 2 | 3-12119 | 3/8-18 NPT TO 5/8 HOSE NIPPLE |

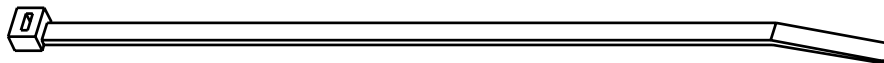
| REV. | DCR NO. | DESCRIPTION | DRAFTSMAN | DATE |
|------|---------|---------------------------------|-----------|---------|
| - | - | UPDATED TO 4110 AND 4115 MODELS | CAD | 7-29-02 |



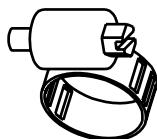
7-11308
LOWER RADIATOR "T"
(1) REQUIRED PER CAB



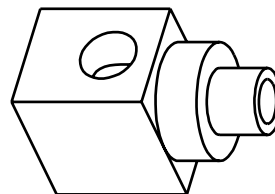
3-10282
PLATICE ELBOW
FOR 5/8" HOSE
(2) REQUIRED PER CAB



3-10725
WIRE TIE NYLON
(4) REQUIRED PER CAB



3-10858
5/8" HOSE CLAMP
(6) REQUIRED PER CAB



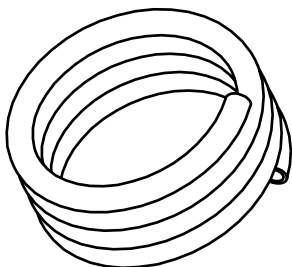
3-12123
ALUMINUM ADAPTER FITTING
(USED ON JD 4100 CABS)
(1) REQUIRED



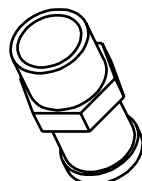
3-15815
ALUMINUM ADAPTER FITTING
(USED ON 4110 AND 4115 CABS)
(1) REQUIRED



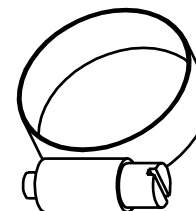
3-16823
O-RING
(1) REQUIRED PER CAB



3-10704
WIRE DUCT 3/8" x 3 FT LONG
(1) REQUIRED PER CAB



3-12119
3/8-18 NPT TO 5/8 HOSE
(2) REQUIRED PER CAB

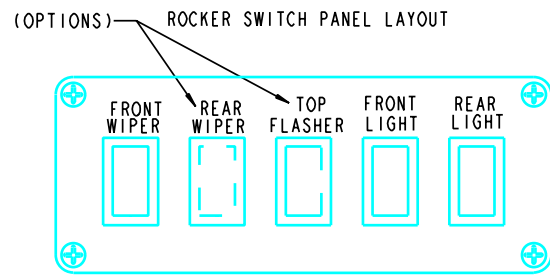
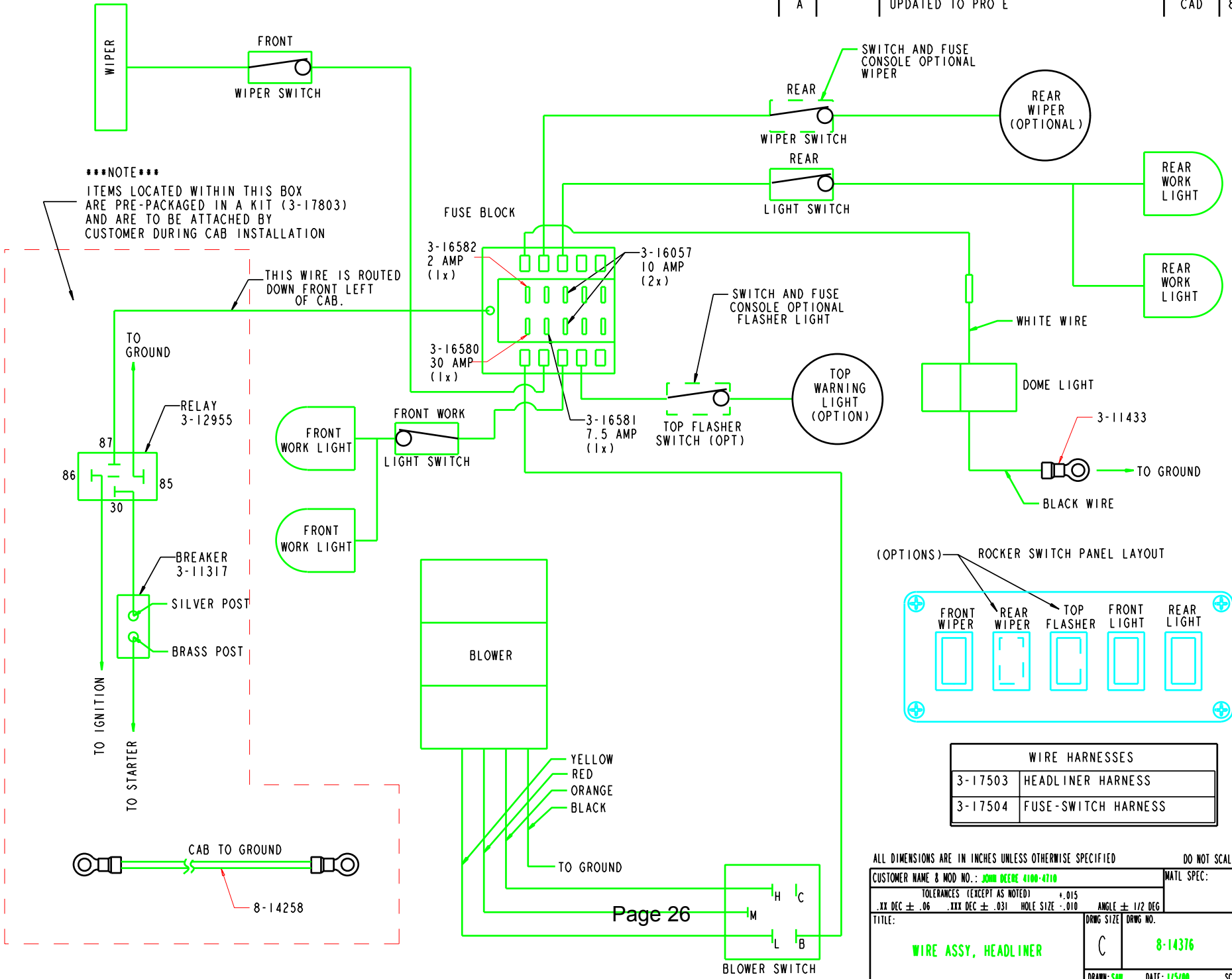


3-13442
LARGE HOSE CLAMP
(2) REQUIRED PER CAB

ITEM 3-12136, BOX 21.25 x 11.00 x 13.00 (NOT SHOWN)

| | | | | | |
|---|--|--|--------------------------|---------------------|----------------|
| TOLERANCES UNLESS NOTED OTHERWISE | CUSTOMER NAME & MOD NO: JD 4100, 4110 AND 4115 | | MATL SPEC: | | |
| | CUSTOM PRODUCTS 1715 SOUTH SIBLEY AVE. LITCHFIELD, MN 55355 | | | | |
| X ± .09 .XX ± .06 .XXX ± .03 HOLE SIZE .05/-00 ANGLE ± .5° | TITLE HEATER KIT | | DRWG SIZE B | DRWG NO. 8-14232 | REV LEVEL A |
| | | | DRAWN: JKN DATE: 3/22/99 | | |

| REV | DCR/ECO NO. | DESCRIPTION | DRAFTSMAN | DATE |
|-----|-------------|------------------|-----------|--------|
| A | | UPDATED TO PRO E | CAD | 8-6-02 |



| WIRE HARNESSES | |
|----------------|---------------------|
| 3-17503 | HEADLINER HARNESS |
| 3-17504 | FUSE-SWITCH HARNESS |

ALL DIMENSIONS ARE IN INCHES UNLESS OTHERWISE SPECIFIED DO NOT SCALE DRAWING

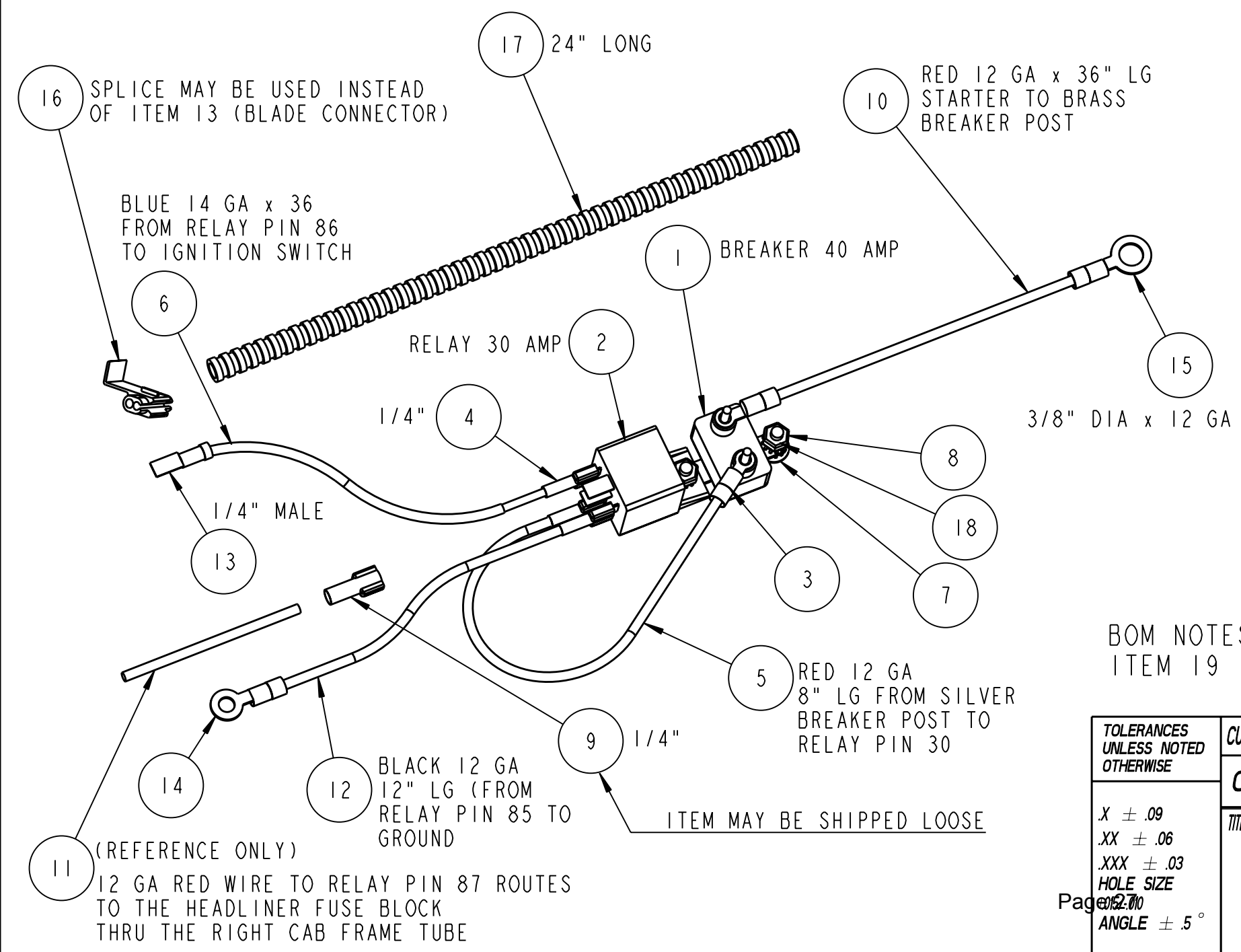
| | | | |
|---|-----------------|-----------------|----------|
| CUSTOMER NAME & MOD NO.: JOHN DEERE 4100-4710 | | MATERIAL SPEC: | |
| TOLERANCES (EXCEPT AS NOTED) | | ANGLE ± 1/2 DEG | |
| .XX DEC ± .06 | .XXX DEC ± .031 | HOLE SIZE -.010 | |
| TITLE: | | DRWG SIZE | DRWG NO. |
| WIRE ASSY, HEADLINER | | C | 8-14376 |
| DRAWN: SAM | | DATE: 1/5/00 | SCALE: |
| | | REV LEVEL | A |

| REV. | DCR NO. | DESCRIPTION | DRAFTSMAN | DATE |
|------|---------|--------------------------------|-----------|---------|
| A | | RELEASED FOR VENDOR PROCESSING | CAD | 4-18-02 |

| ITEM # | DESCRIPTION | QTY |
|--------|---|---------|
| 1 | 3-11317_BREAKER_40_AMP | 1 |
| 2 | 3-12955_RELAY_30_AMP_ | 1 |
| 3 | 3-10305_TERMINAL EYE 10-12 SMALL | 2 |
| 4 | 3-10670_SLIDE FEM CON 14 GA | 3 |
| 5 | 3-10351_WIRE_12GA_RED_X_8_ | 1 |
| 6 | 3-10314_WIRE_14GA_BLUE_X_20_ | 1 |
| 7 | 3-10104_MSCR_NO10_X_63_THSL | 2 |
| 8 | 3-10308_1024_NYLOCK_ | 2 |
| 9 | 3-14553_SLIDE_FEM_10-12_GA_ | 1 |
| 10 | 3-10351_WIRE_12GA_RED_X_20_ | 1 |
| 11 | 3-10351_WIRE_12GA_RED_X_180(REFERENCE ONLY) | 1 |
| 12 | 3-10340_WIRE_12GA_BLACK_X_12_ | 1 |
| 13 | 3-11428_TERMINAL_MALE STR | 1 |
| 14 | 3-10673_TERMINAL EYE 10-12 GA MED | 1 |
| 15 | 3-10674_TERMINAL EYE 10-12 LARGE | 1 |
| 16 | 3-10982_WIRE SPLICE BLUE 14-16 GA | 1 |
| 17 | 3-10704_DUCT_WIRE_350X24 | 1 |
| 18 | 3-13083_WASHER_LOCK_EXT_T | 4 |
| 19 | 3-16265_BAG_ZIP_10_X_12 | SEE BOM |

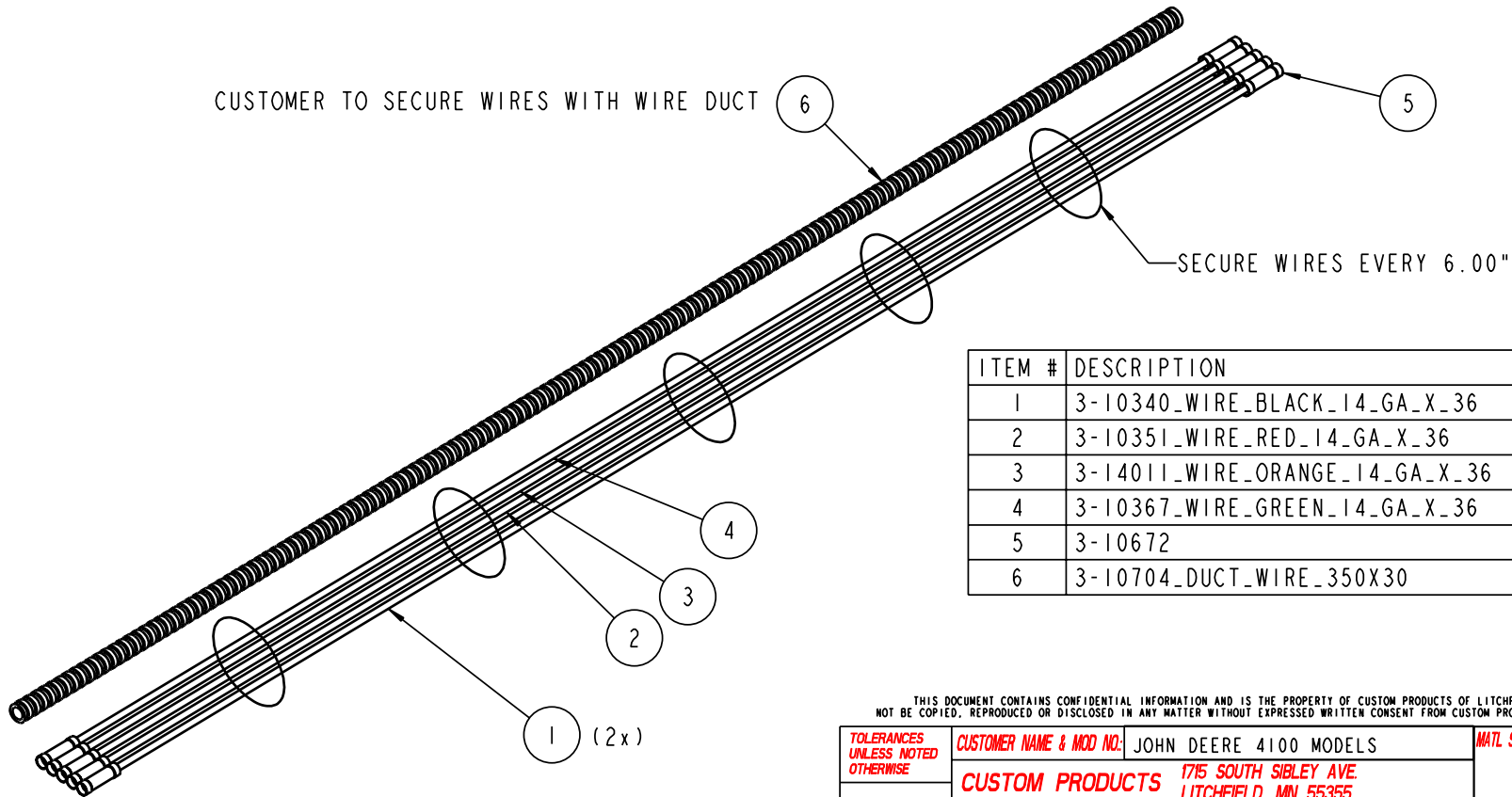
BOM NOTES:
 ITEM 19 - (NOT SHOWN) ALL PARTS
 TO BE PLACED IN THIS BAG

| | | | | |
|--|--|---------------------------------|------------|-----------|
| TOLERANCES UNLESS NOTED OTHERWISE | CUSTOMER NAME & MOD NO.: | UNIVERSAL RELAY-BREAKER HARNESS | MATL SPEC: | |
| | CUSTOM PRODUCTS 1715 SOUTH SIBLEY AVE. LITCHFIELD, MN 55355 | | | |
| .X ± .09 .XX ± .06 .XXX ± .03 HOLE SIZE OF 2.00 ANGLE ± .5° | TITLE | DRWG SIZE | DRWG NO. | REV LEVEL |
| | UNIVERSAL WIRE RELAY BREAKER HARNESS | B | 3-17803 | A |
| Page 2 of 10 | DRAWN: | CAD | DATE | 4-5-02 |



| REV. | DCR NO. | DESCRIPTION | DRAFTSMAN | DATE |
|------|---------|-------------|-----------|------|
|------|---------|-------------|-----------|------|

CUSTOMER NOTE: ONCE DUAL LIGHTS ARE REMOVED FROM FACTORY ROPS
ROUTE WIRE EXTENSION KIT THROUGH DUAL LIGHT BRACKET HOLES THEN INTO CAB



| ITEM # | DESCRIPTION | QTY |
|--------|--------------------------------|-----|
| 1 | 3-10340_WIRE_BLACK_14_GA_X_36 | 2 |
| 2 | 3-10351_WIRE_RED_14_GA_X_36 | 1 |
| 3 | 3-14011_WIRE_ORANGE_14_GA_X_36 | 1 |
| 4 | 3-10367_WIRE_GREEN_14_GA_X_36 | 1 |
| 5 | 3-10672 | 10 |
| 6 | 3-10704_DUCT_WIRE_350X30 | 1 |

THIS DOCUMENT CONTAINS CONFIDENTIAL INFORMATION AND IS THE PROPERTY OF CUSTOM PRODUCTS OF LITCHFIELD, INC. AND MAY NOT BE COPIED, REPRODUCED OR DISCLOSED IN ANY MANNER WITHOUT EXPRESSED WRITTEN CONSENT FROM CUSTOM PRODUCTS OF LITCHFIELD, INC.

| | | |
|---|---|---|
| TOLERANCES UNLESS NOTED OTHERWISE <i>X</i> ± .09 <i>.XX</i> ± .06 <i>.XXX</i> ± .03 HOLE SIZE <i>.05/-00</i> ANGLE ± .5° | CUSTOMER NAME & MOD NO.: JOHN DEERE 4100 MODELS CUSTOM PRODUCTS 1715 SOUTH SIBLEY AVE. LITCHFIELD, MN 55355 | MATL SPEC: |
| | TITLE: WIRE EXTENSION KIT FOR DUAL LIGHTS | DRAWG SIZE: B DRAWG NO.: 8-14639 |
| SCALE: 0.500 | DRAWN: CAD DATE: 8-21-02 | |