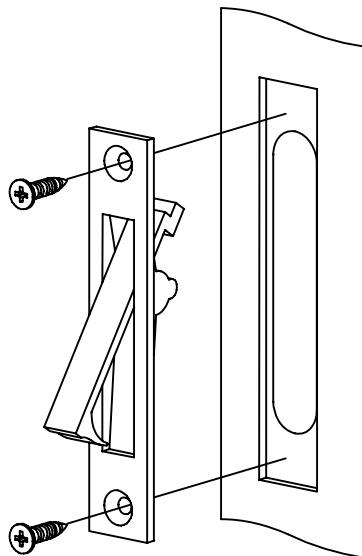
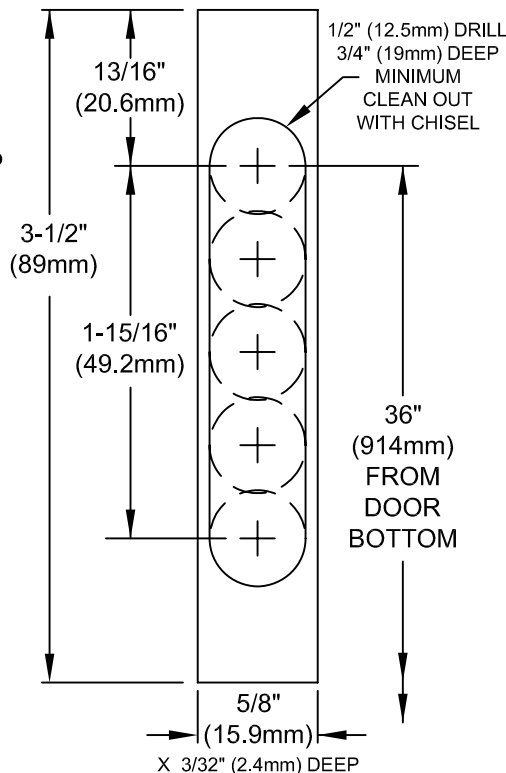
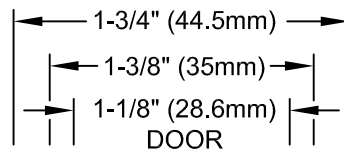




www.johnsonhardware.com

INSTRUCTIONS

#150 POCKET DOOR EDGE PULL



Place door on edge and brace firmly. Mark a line on edge of door 36" [915mm] from bottom. Use template at right or measure carefully. Drill two 1/2" [12.5mm] holes at least 3/4" [19mm] deep. Clean out area between holes 3/4" [19mm] deep. Drop **Edge Pull** into slot. Make sure **TOP** of **Edge Pull** is uppermost. Mark around edge of face plate with sharp knife and remove **Edge Pull**. Use a sharp chisel to recess 3/32" [2.4mm] deep around inside edge of these lines. When **Edge Pull** fits precisely into position, fasten with screws provided.