

MATRIX

TF30  
TF50

T50  
T70

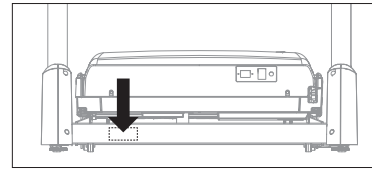




- 3 ENGLISH
- 13 FRANÇAIS
- 23 ESPAÑOL

## ASSEMBLY

### SERIAL NUMBER LOCATION



Before proceeding, find your equipment's serial number located on a barcode sticker and enter it in the space provided below.

### SERIAL NUMBER

### MODEL NAME

- TF30    T50   **MATRIX TREADMILL**  
 TF50    T70

\* Use the information above when calling for service.



### WARNING!

There are several areas during the assembly process that special attention must be paid. It is very important to follow the assembly instructions correctly and to make sure all parts are firmly tightened. If the assembly instructions are not followed correctly, the equipment could have parts that are not tightened and will seem loose and may cause irritating noises. To prevent damage to the equipment, the assembly instructions must be reviewed and corrective actions should be taken.

### UNPACKING

Place the treadmill carton on a level flat surface. It is recommended that you place a protective covering on your floor. Take CAUTION when handling and transporting this unit. Never open box when it is on its side. Once the banding straps have been removed, do not lift or transport this unit unless it is fully assembled and in the upright folded position, with the lock latch secure. Unpack and assemble the unit where it will be used. The enclosed treadmill is equipped with high-pressure shocks and may spring open if mishandled. Never grab hold of any portion of the incline frame and attempt to lift or move the treadmill.

### WARNING!

DO NOT ATTEMPT TO LIFT THE TREADMILL! Do not move or lift treadmill from packaging until fully assembled. FAILURE TO FOLLOW THESE INSTRUCTIONS COULD RESULT IN INJURY!

### IMPORTANT NOTES

During each assembly step, ensure that ALL nuts and bolts are in place and partially threaded. Several parts have been pre-lubricated to aid in assembly and usage. Please do not wipe this off. If you have difficulty, a light application of lithium grease is recommended.

**ASSEMBLY****TOOLS INCLUDED:**

- 5 mm L Wrench
- 6 mm L Wrench
- 8 mm T Wrench
- Phillips Screwdriver

**NEED HELP?**

If you have questions or if there are any missing parts, contact Customer Tech Support. Contact information is located on the information card.

**TF30 / TF50**

PAGE 5

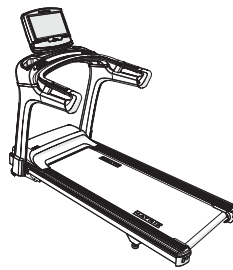
**PARTS INCLUDED:**

- 1 Treadmill Frame
- 2 Console Masts
- 2 Console Mast Boots
- 1 Console Base
- 1 Handlebar
- 2 Handlebar Sleeves
- 4 Handlebar Caps
- 2 Base Frame Cover Sets
- 1 Console Back Cover
- 1 Power Cord
- 1 Safety Key
- 1 Hardware Kit
- 1 Bottle of Silicone Lubricant (for 2 applications)

Console sold separately

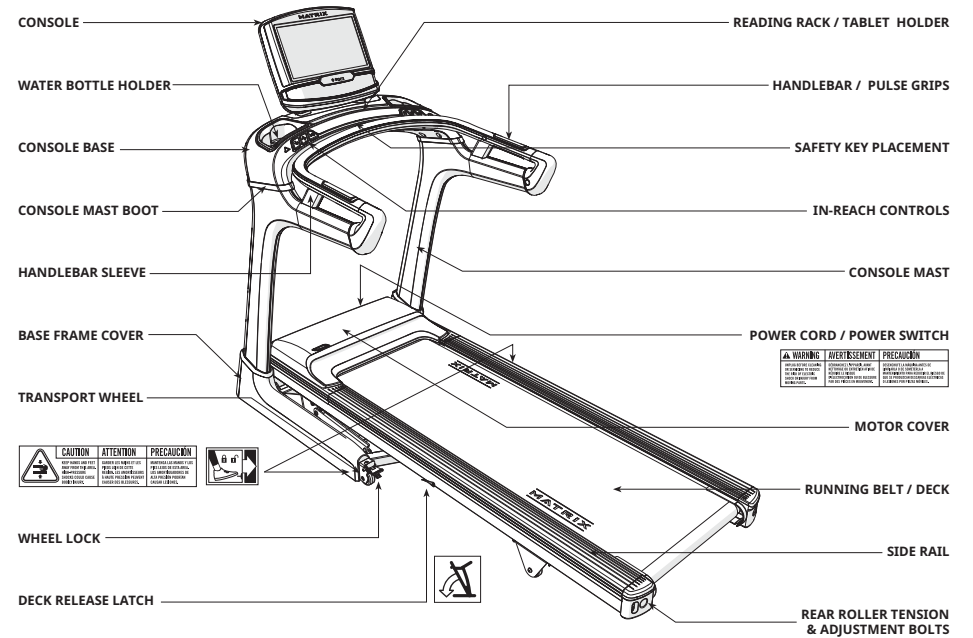
**T50 / T70**

PAGE 9

**PARTS INCLUDED:**

- 1 Treadmill Frame
- 2 Console Masts
- 2 Console Mast Boots
- 1 Console Base
- 1 Handlebar
- 2 Handlebar Sleeves
- 4 Handlebar Caps
- T50: 4 Base Frame Covers
- T70: 2 Base Frame Covers
- 1 Console Back Cover
- 1 Power Cord
- 1 Safety Key
- 1 Hardware Kit
- T50: 1 Bottle of Silicone Lubricant (for 2 applications)

Console sold separately



TF50 SHOWN



1

**IMPORTANT:** Do not tighten bolts until step 3 is complete.

A Open **HARDWARE FOR STEP 1**.

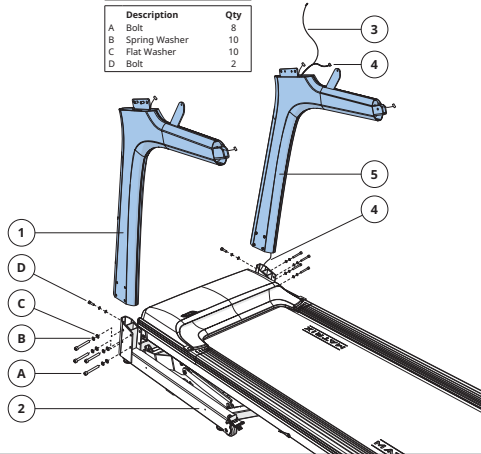
B Attach **LEFT CONSOLE MAST (1)** to **BASE FRAME (2)** using 4 **BOLTS (A)**, 4 **SPRING WASHERS (B)** and 4 **FLAT WASHERS (C)** from the side and 1 **BOLT (D)**, 1 **SPRING WASHER (B)** and 1 **FLAT WASHER (C)** from the rear.

C Attach **LEAD WIRE (3)** to **CONSOLE CABLE (4)** and pull lead wire through **RIGHT CONSOLE MAST (5)**. After pulling the lead wire through the mast, the top of the console cable should be located at the top of the mast. Detach and discard lead wire.

**NOTE:** Be careful not to pinch any wires while attaching the right console mast.

**Hardware For Step 1**

Description	Qty
A Bolt	8
B Spring Washer	10
C Flat Washer	10
D Bolt	2



2

**TF30**  
**TF50**

A Open **HARDWARE FOR STEP 2**.

B Place **CONSOLE MAST BOOTS (6)** on top of **CONSOLE MASTS (1 & 5)**.

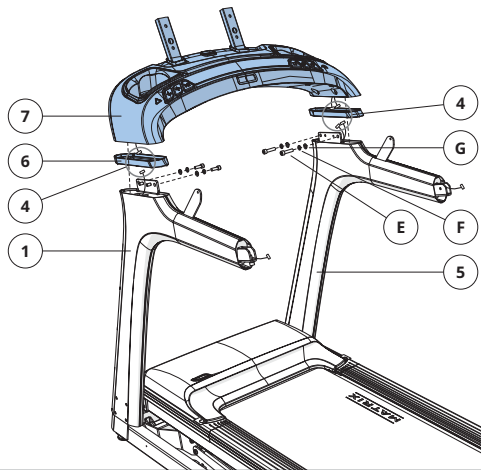
C Connect the **CONSOLE CABLES (4)**, discard the wire ties, and tuck the cables inside the **CONSOLE MASTS (1 & 5)** and slide **CONSOLE BASE (7)** into console masts.

D Attach **CONSOLE BASE (7)** to **CONSOLE MASTS (1 & 5)** using 4 **BOLTS (E)**, 4 **SPRING WASHERS (F)** and 4 **FLAT WASHERS (G)**.

**NOTE:** Be careful not to pinch any wires while attaching the console base.

**Hardware For Step 2**

Description	Qty
E Bolt	4
F Spring Washer	4
G Flat Washer	4



3

**TF30**  
**TF50**

A Open **HARDWARE FOR STEP 3**.

B Place **HANDLEBAR SLEEVES (8)** on top of **CONSOLE MASTS (1 & 5)**.

C Connect the **CONSOLE CABLES (4)** and tuck the cables inside the **CONSOLE MASTS (1 & 5)**.

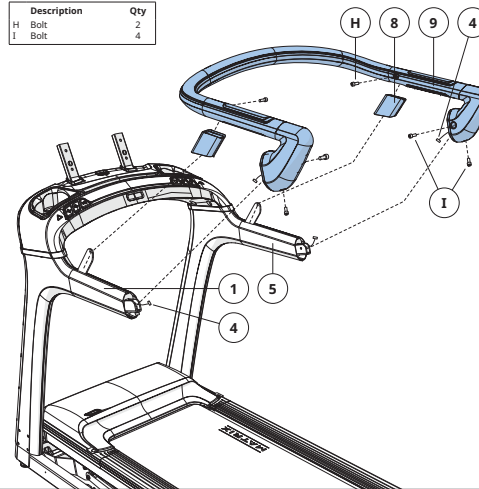
D Attach **HANDLEBAR (9)** to **CONSOLE MASTS (1 & 5)** using 2 **BOLTS (H)** and 4 **BOLTS (I)**.

E Tighten all bolts from steps 1-3.

**Note:** Be careful not to pinch any wires while attaching the handlebar.

**Hardware For Step 3**

Description	Qty
H Bolt	2
I Bolt	4



4

**TF30**  
**TF50**

A Open **HARDWARE FOR STEP 4**.

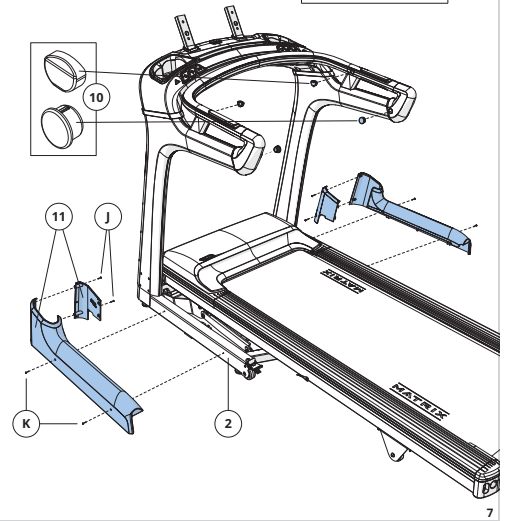
B Insert 4 **HANDLEBAR CAPS (10)** into **HANDLEBAR (9)**.

C Attach **BASE FRAME COVERS (11)** to the **BASE FRAME (2)** using 2 **SCREWS (J)** from the inside and 2 **SCREWS (K)** from the outside.

D Repeat on other side.

**Hardware For Step 4**

Description	Qty
J Screw (10 mm)	4
K Screw (30 mm)	4



ENGLISH

ENGLISH



5

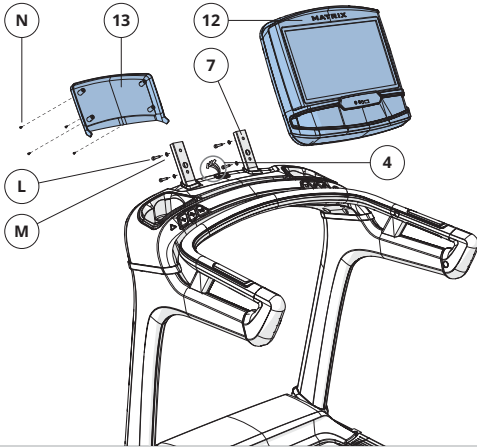
- A Open **HARDWARE FOR STEP 5**.
- B Connect the **CONSOLE CABLES (4)** to the **CONSOLE (12)** and carefully tuck the excess cable into the **CONSOLE BASE (7)**.
- C Attach the **CONSOLE (12)** to the **CONSOLE BASE (7)** using **4 BOLTS (L)** and **4 FLAT WASHERS (M)**.
- D Attach the **CONSOLE BACK COVER (13)** to the **CONSOLE (12)** using **4 SCREWS (N)**.

TF30  
TF50

Note: Be careful not to pinch any wires while attaching the console.

Hardware For Step 5

Description	Qty
L Bolt	4
M Flat Washer	4
N Screw	4

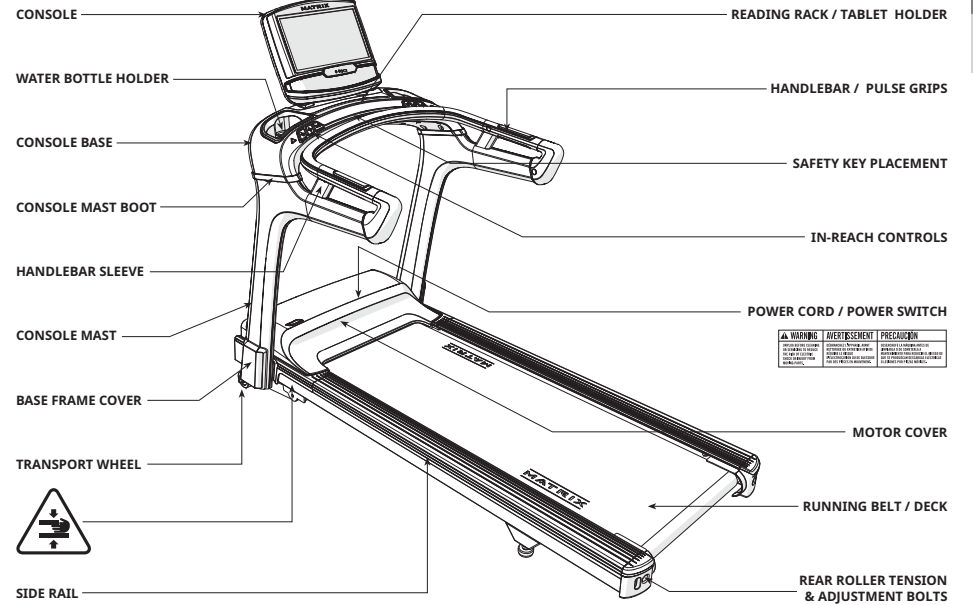


6

TF30 / TF50 ASSEMBLY COMPLETE!



**IMPORTANT**  
Before the first use, lubricate the treadmill deck by following the instructions in the maintenance section in the treadmill guide.



WARNING	AVERTISSEMENT	PRECAUCIÓN
<p>● Read and follow all instructions in the manual.</p> <p>● Do not use the treadmill if you are pregnant, have a heart condition, or are recovering from surgery or injury.</p> <p>● Do not use the treadmill if you are under the influence of alcohol or drugs.</p> <p>● Do not use the treadmill if you are feeling dizzy, lightheaded, or unwell.</p> <p>● Do not use the treadmill if you are wearing high heels, flip-flops, or sandals.</p> <p>● Do not use the treadmill if you are wearing jewelry.</p> <p>● Do not use the treadmill if you are wearing loose clothing.</p> <p>● Do not use the treadmill if you are wearing shoes that are not designed for running.</p> <p>● Do not use the treadmill if you are wearing shoes that are not designed for running.</p>	<p>● Lire et suivre toutes les instructions du manuel.</p> <p>● Ne pas utiliser le tapis roulant si vous êtes enceinte, avez une condition cardiaque, ou êtes en convalescence d'une chirurgie ou d'une blessure.</p> <p>● Ne pas utiliser le tapis roulant si vous êtes sous l'influence d'alcool ou de drogues.</p> <p>● Ne pas utiliser le tapis roulant si vous vous sentez vertigeux, étourdi, ou malade.</p> <p>● Ne pas utiliser le tapis roulant si vous portez des talons, des flip-flops, ou des sandales.</p> <p>● Ne pas utiliser le tapis roulant si vous portez des bijoux.</p> <p>● Ne pas utiliser le tapis roulant si vous portez des vêtements amples.</p> <p>● Ne pas utiliser le tapis roulant si vous portez des chaussures qui ne sont pas conçues pour la course à pied.</p> <p>● Ne pas utiliser le tapis roulant si vous portez des chaussures qui ne sont pas conçues pour la course à pied.</p>	<p>● Leer y seguir todas las instrucciones del manual.</p> <p>● No utilizar la cinta si está embarazada, tiene una condición cardíaca, o está recuperándose de una cirugía o una lesión.</p> <p>● No utilizar la cinta si está bajo los efectos del alcohol o drogas.</p> <p>● No utilizar la cinta si se siente mareado, aturdo, o enfermo.</p> <p>● No utilizar la cinta si se usan tacones, flip-flops, o sandalias.</p> <p>● No utilizar la cinta si se usan joyas.</p> <p>● No utilizar la cinta si se usan ropa holgada.</p> <p>● No utilizar la cinta si se usan zapatos que no están diseñados para correr.</p> <p>● No utilizar la cinta si se usan zapatos que no están diseñados para correr.</p>

T70 SHOWN



T50  
T70

ENGLISH



1

**IMPORTANT:** Do not tighten bolts until step 3 is complete.

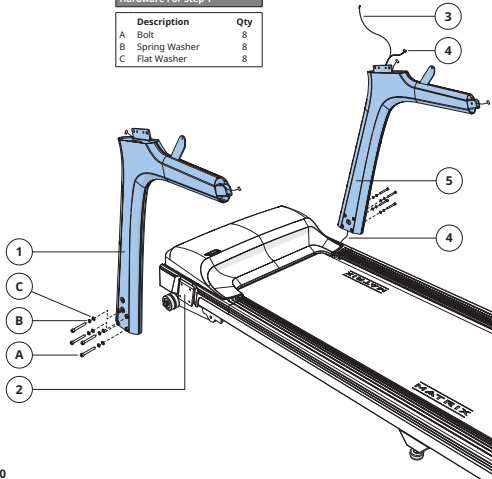
A Open **HARDWARE FOR STEP 1**.

- B Attach **LEFT CONSOLE MAST (1)** to **BASE FRAME (2)** using 4 **BOLTS (A)**, 4 **SPRING WASHERS (B)** and 4 **FLAT WASHERS (C)**.
- C Attach **LEAD WIRE (3)** to **CONSOLE CABLE (4)** and pull lead wire through **RIGHT CONSOLE MAST (5)**. After pulling the lead wire through the mast, the top of the console cable should be located at the top of the mast. Detach and discard lead wire.

NOTE: Be careful not to pinch any wires while attaching the right console mast.

Hardware For Step 1

Description	Qty
A Bolt	4
B Spring Washer	4
C Flat Washer	4



2

T50  
T70

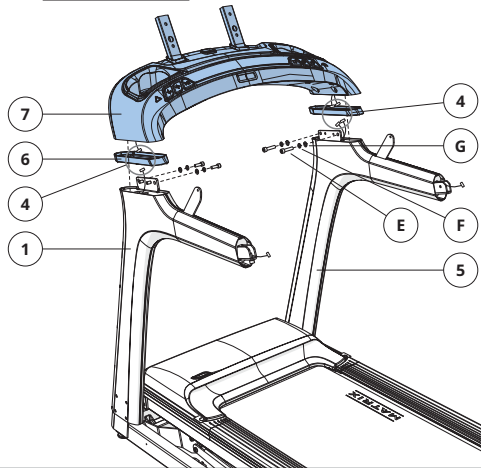
A Open **HARDWARE FOR STEP 2**.

- B Place **CONSOLE MAST BOOTS (6)** on top of **CONSOLE MASTS (1 & 5)**.
- C Connect the **CONSOLE CABLES (4)**, discard the wire ties, and tuck the cables inside the **CONSOLE MASTS (1 & 5)** and slide **CONSOLE BASE (7)** into **CONSOLE MASTS (1 & 5)**.
- D Attach **CONSOLE BASE (7)** to **CONSOLE MASTS (1 & 5)** using 4 **BOLTS (E)**, 4 **SPRING WASHERS (F)** and 4 **FLAT WASHERS (G)**.

NOTE: Be careful not to pinch any wires while attaching the console base.

Hardware For Step 2

Description	Qty
E Bolt	4
F Spring Washer	4
G Flat Washer	4



3

T50  
T70

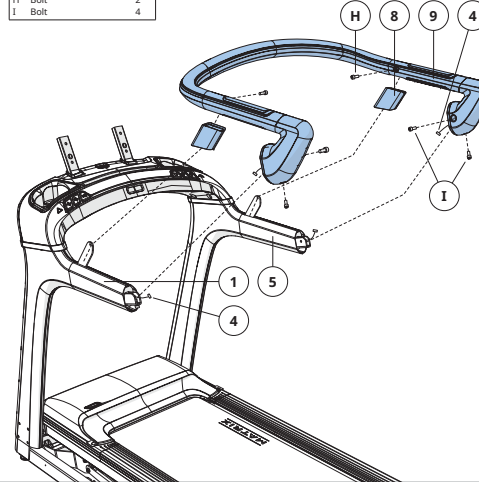
A Open **HARDWARE FOR STEP 3**.

- B Place **HANDLEBAR SLEEVES (8)** on top of **CONSOLE MASTS (1 & 5)**.
- C Connect the **CONSOLE CABLES (4)** and tuck the cables inside the **CONSOLE MASTS (1 & 5)**.
- D Attach **HANDLEBAR (9)** to **CONSOLE MASTS (1 & 5)** using 2 **BOLTS (H)** and 4 **BOLTS (I)**.
- E Tighten all bolts from steps 1-3.

Note: Be careful not to pinch any wires while attaching the handlebar.

Hardware For Step 3

Description	Qty
H Bolt	2
I Bolt	4



4

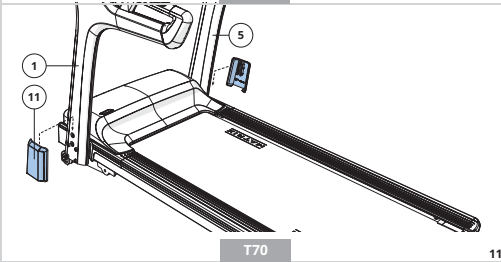
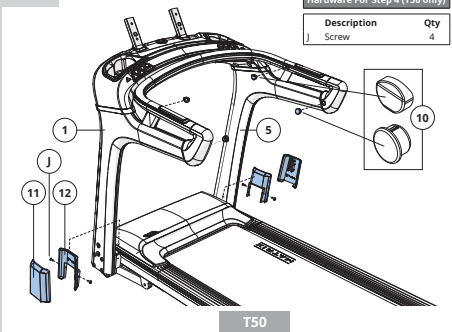
T50  
T70

A Insert 4 **HANDLEBAR CAPS (10)** into **HANDLEBAR (9)**.

- B Slide **OUTSIDE BASE FRAME COVERS (11)** over bolts at the bottom of the **CONSOLE MASTS (1 & 5)**.
- C T50 only: Open **HARDWARE FOR STEP 4**.
- D T50 only: Attach **INSIDE BASE FRAME COVERS (12)** using 4 **SCREWS (J)**.

Hardware For Step 4 (T50 only)

Description	Qty
J Screw	4



ENGLISH

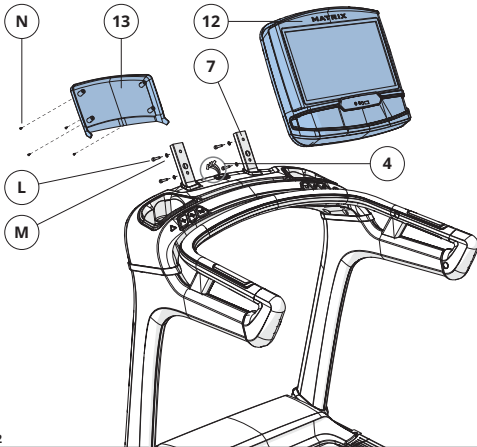
**5**

- A Open **HARDWARE FOR STEP 5**.
- B Connect the **CONSOLE CABLES (4)** to the **CONSOLE (12)** and carefully tuck the excess cable into the **CONSOLE BASE (7)**.
- C Attach the **CONSOLE (12)** to the **CONSOLE BASE (7)** using **4 BOLTS (L)** and **4 FLAT WASHERS (M)**.
- D Attach the **CONSOLE BACK COVER (13)** to the **CONSOLE (12)** using **4 SCREWS (N)**.

**T50  
T70**

Note: Be careful not to pinch any wires while attaching the console.

Hardware For Step 5	
Description	Qty
L Bolt	4
M Flat Washer	4
N Screw	4

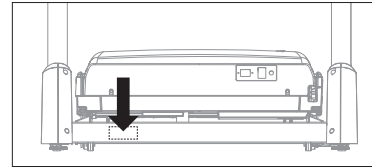
**6****T50 / T70 ASSEMBLY COMPLETE!**

**T50 ONLY - IMPORTANT**  
Before the first use, lubricate the treadmill deck by following the instructions in the maintenance section in the treadmill guide.



## MONTAGE

### EMPLACEMENT DU NUMÉRO DE SÉRIE



Avant de commencer, cherchez le numéro de série qui se trouve sur une étiquette où figure un code-barres et apposée sur votre équipement, puis notez-le dans les cases ci-dessous.

### NUMÉRO DE SÉRIE

### NOM DU MODÈLE

- TF30  T50  TAPIS DE COURSE MATRIX
- TF50  T70

\* Utilisez les informations ci-dessus lorsque vous appelez l'assistance.

### AVERTISSEMENT !

Le processus de montage comporte certaines étapes au cours desquelles il faut faire particulièrement attention. Il est indispensable de respecter scrupuleusement les instructions de montage et de s'assurer que toutes les pièces sont bien serrées. En cas de non-respect des instructions, certaines parties de l'équipement pourraient être mal serrées, bouger et causer des bruits gênants. Pour éviter d'endommager l'équipement, relisez les instructions de montage et prenez les mesures correctives qui s'imposent.

### DÉBALLAGE

Installez le carton d'emballage du tapis de course sur une surface plane. Il est conseillé de placer une toile de protection sur le sol. Soyez PRUDENT lorsque vous manipulez et transportez cet appareil. N'ouvrez pas le carton d'emballage lorsqu'il est couché sur le côté. Après avoir retiré les bandes d'emballage, ne tentez pas de soulever ni de transporter l'appareil tant qu'il n'a pas été complètement monté et placé en position verticale pliée, et que la goupille de verrouillage n'a pas été bien fixée. Déballiez et montez l'appareil à l'endroit où il sera utilisé. Ce tapis de course est équipé d'amortisseurs à haute pression qui peuvent se déployer soudainement en cas de manipulation incorrecte. Ne saisissez jamais une partie quelconque du cadre d'inclinaison pour soulever ou déplacer le tapis de course.

### AVERTISSEMENT !

NE TENTEZ PAS DE SOULEVER LE TAPIS DE COURSE ! Ne déplacez pas ou ne sortez pas le tapis de course de son emballage tant qu'il n'a pas été complètement monté. LE NON-RESPECT DE CES INSTRUCTIONS PEUT CAUSER DES BLESSURES !

### REMARQUES IMPORTANTES

À chaque étape du montage, assurez-vous que TOUS les écrous et TOUS les boulons sont bien mis en place et partiellement serrés.

Certaines pièces ont été pré-lubrifiées afin de faciliter leur montage et fonctionnement. N'essayez pas ces pièces pour essayer d'ôter le lubrifiant. En cas de difficulté, appliquez une fine couche de graisse au lithium.



FRANÇAIS

# MATRIX



TF30  
TF50

T50  
T70

© 2016 Johnson Health Tech  
Rev 1.2 A ENG FRE SPE