



# Vintage 3-Speed Bluetooth® Turntable

Model:ITVS-550BT




## Instruction Manual


PLEASE READ THIS INSTRUCTION MANUAL CAREFULLY BEFORE USE  
AND KEEP IT FOR FUTURE REFERENCE.

## CONTENTS



SAFETY INSTRUCTIONS .....	2
SPECIFICATIONS .....	3
TURNTABLE LAYOUT.....	4
TURNTABLE OPERATION .....	5
POWER SUPPLY .....	5
BASIC OPERATION .....	5
TURNTABLE NEEDLE REPLACEMENT.....	5
BLUETOOTH OPERATION .....	6
AUX-IN OPERATION.....	6
EARPHONE OPERATION .....	6
FCC STATEMENT .....	7
CALIFORNIA PROP 65 WARNING.....	7
IT WARRANTY .....	7

## SAFETY INSTRUCTIONS

1. Read these instructions – All the safety and operating instructions should be read before this product is operated.
2. Keep these instructions – The safety and operating instructions should be retained for future reference.
3. Heed all warnings – All warnings on the appliance and in the operating instructions should be adhered to.
4. Follow all instructions – All operating and use instructions should be followed.
5. Do not use this apparatus near water – The appliance should not be used near water or moisture – for example, in a wet basement, near a swimming pool, or near other wet areas.
6. Clean only with a dry cloth.
7. Do not block any ventilation openings. Keep at least 5 cm around the apparatus for sufficient ventilations. Install in accordance with the manufacturer's instructions.
8. Do not install near any heat sources such as radiators, heat registers, stoves, or other apparatus (including amplifiers) that produce heat.
9. Do not defeat the safety purpose of the polarized or grounding plug. A polarized plug has two blades with one wider than the other. A grounding plug has two blades and a third grounding prong. The wide blade or the third prong is provided for your safety. If the provided plug does not fit into your outlet, consult an electrician for replacement of the obsolete outlet.
10. Protect the power cord from being walked on or pinched particularly at the plugs, convenience receptacles, and at the point where they exit from the apparatus.
11. Only use attachments/accessories specified by the manufacturer.
12. Use only with the cart, stand, tripod, bracket, or table specified by the manufacturer, or sold with the apparatus. When a cart or rack is used, use caution when moving the cart/apparatus combination to avoid injury from tip-over. 
13. Unplug the apparatus during lightning storms or when unused for long periods of time.
14. Refer all servicing to qualified personnel. Servicing is required when the apparatus has been damaged in any way, such as power supply cord or plug is damaged, liquid has been spilled or objects have fallen into the apparatus, the apparatus has been exposed to rain or moisture, does not operate normally, or has been dropped.
15. Please keep the unit in a well ventilated environment.
16. Only use attachments/accessories specified or provided by the manufacturer
17. To reduce the risk of fire or electric shock, do not expose this apparatus to rain or moisture. The apparatus shall not be exposed to dripping or splashing and no objects filled with liquids, such as vases, shall not be placed on apparatus.
18. The main plug is used as disconnect device, the disconnected device shall remain readily operable.
19. This product is not intended for commercial use. Household Use Only.

21.  This equipment is a Class II or double insulated electrical appliance. It has been designed in such a way that it does not require a safety connection to electrical earth.

22. 

 <small>The lightning flash with arrowhead within an equilateral triangle is intended to alert the user to the presence of uninsulated "dangerous voltage" within the product's enclosure that may be of sufficient magnitude to constitute a risk of electric shock.</small>	<p><b>CAUTION</b></p> <p><b>RISK OF ELECTRIC SHOCK DO NOT OPEN</b></p> <p><small>CAUTION: TO PREVENT RISK OF ELECTRIC SHOCK, DO NOT REMOVE COVER (OR BACK). NO USER-SERVICEABLE PARTS INSIDE. REFER SERVICING TO QUALIFIED SERVICE PROFESSIONAL.</small></p>	 <small>The exclamation point within an equilateral triangle is intended to alert the user to the presence of important operating and maintenance (servicing) instructions in the literature accompanying the appliance.</small>
---	--	--

**Warning:** To reduce the risk of fire or electrical shock, do not exposed the apparatus to rain or moisture. No naked flame sources such as candles shall be placed on top of the apparatus.

**Caution:** Changes or modifications not expressly approved by the manufacturer could void the user's authority to operate this device. Usage of controls or adjustments or performance of procedures other than those specified herein may result in hazardous exposure.

## SPECIFICATIONS

Power Supply: ..... AC Adaptor: 100-240, 50-60Hz  
 ..... DC-9V 1A

Speaker Impedance: ..... 4ohm, 3W

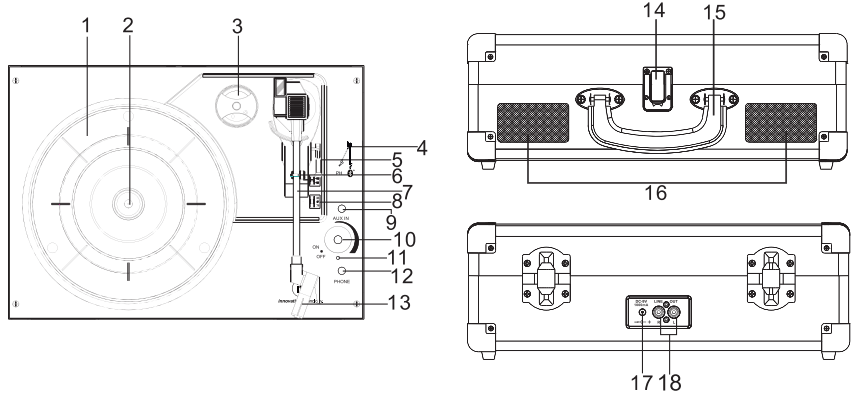
Max Power Consumption:..... 12 W

Included:..... Turntable, Instruction Manual,  
 AC Adaptor

Design and specification are subject to change without notice.

Bluetooth is a registered trademark of Bluetooth SIG, Inc.  
 Other trademarks and trade names are those of their respective owners

**TURNTABLE LAYOUT**



1. TURNTABLE PLATTER
2. TURNTABLE SHAFT
3. 45 RPM ADAPTOR
4. TURNTABLE WITH BT. SWITCH SCHEMATIC DIAGRAM
5. LIFT LEVER
6. TONE ARM CLIP
7. TONE ARM
8. SPEED SELECTION SWITCH
9. LINE IN JACK
10. POWER ON/OFF AND VOLUME KNOB
11. POWER LIGHT INDICATOR
12. HEADPHONE JACK
13. STYLUS CARTRIDGE
14. BUCKLE
15. HANDLE
16. SPEAKERS
17. POWER ADAPTOR JACK
18. RCA OUTPUT JACK

## TURNTABLE OPERATION

### POWER SUPPLY

Insert the adaptor plug into the DC IN jack on the rear of the unit, then connect the AC/DC adaptor (9V, 1A AC100-240V, 50-60Hz) to a AC/DC wall outlet.

### BASIC OPERATION

1. Lift the BUCKLE on the front of the turntable and open the lid.
2. Power on the unit by turning the VOLUME CONTROL KNOB clockwise. The red LED will light to show that the turntable is turned on. Turn the FUNCTION KNOB to the PHONO position.
3. Place a record on the TURNTABLE PLATTER and select the desired speed (33 1/3 / 45 / 78) by sliding the SPEED SELECTION SWITCH according to the record.  
*NOTE: When playing a 45 rpm record, use the included 45 RPM ADAPTOR located in the holder near the tone arm.*
4. Open the TONE ARM CLIP to release the TONE ARM. Push the LIFT LEVER backwards to raise the arm. Gently move the tone arm to the desired position over the record. The turntable will begin to spin when the arm is moved toward the record. Push the lift lever forward and lower the arm slowly onto the desired
5. To select the volume level, turn the VOLUME CONTROL KNOB to adjust the volume.

### HOW TO REPLACE THE TURNTABLE NEEDLE

#### Removing the Stylus from the Cartridge

1. Place a screwdriver at the tip of the stylus and push downward as shown in direction "A". **WARNING:** when applying force to stylus, too much may damage or break the stylus.
2. Remove the stylus by pulling the stylus forward and pushing downward.

#### Installing the Stylus

1. Hold the tip of the stylus and insert the stylus by pressing as shown in direction "B".
2. Push the stylus upward as in direction "C" until the stylus locks into the tip position.



## TURNTABLE OPERATION

### POWER SUPPLY

Insert the adaptor plug into the DC IN jack on the rear of the unit, then connect the AC/DC adaptor (9V, 1A AC100-240V, 50-60Hz) to a AC/DC wall outlet.

### BASIC OPERATION

1. Lift the BUCKLE on the front of the turntable and open the lid.
2. Power on the unit by turning the VOLUME CONTROL KNOB clockwise. The red LED will light to show that the turntable is turned on. Turn the FUNCTION KNOB to the PHONO position.
3. Place a record on the TURNTABLE PLATTER and select the desired speed (33 1/3 / 45 / 78) by sliding the SPEED SELECTION SWITCH according to the record.  
*NOTE: When playing a 45 rpm record, use the included 45 RPM ADAPTOR located in the holder near the tone arm.*
4. Open the TONE ARM CLIP to release the TONE ARM. Push the LIFT LEVER backwards to raise the arm. Gently move the tone arm to the desired position over the record. The turntable will begin to spin when the arm is moved toward the record. Push the lift lever forward and lower the arm slowly onto the desired
5. To select the volume level, turn the VOLUME CONTROL KNOB to adjust the volume.

### HOW TO REPLACE THE TURNTABLE NEEDLE

#### Removing the Stylus from the Cartridge

1. Place a screwdriver at the tip of the stylus and push downward as shown in direction "A". **WARNING:** when applying force to stylus, too much may damage or break the stylus.
2. Remove the stylus by pulling the stylus forward and pushing downward.

#### Installing the Stylus

1. Hold the tip of the stylus and insert the stylus by pressing as shown in direction "B".
2. Push the stylus upward as in direction "C" until the stylus locks into the tip position.



## BLUETOOTH OPERATION

An external device with Bluetooth Connectivity can be wirelessly connected to this apparatus using the Bluetooth function.

1. Power on the unit by turning the VOLUME CONTROL KNOB clockwise. The red LED will light to show that the turntable is turned on.
2. The system is preset at Bluetooth mode, a beep sound from speaker will inform user to prepare connecting the equipment.
3. Turn your external device's Bluetooth Setting ON. Wait a moment, then look for the Bluetooth pairing name "**Vintage Turntable**".
4. Select the Bluetooth pairing name, to connect the unit. Unit will make a beep sound when connection has been achieved.
5. Bluetooth connection will be automatically disconnected if the Turntable tone Arm is picked up and Turntable started to operate.
6. Once the tone arm is back to rest position, Unit will immediately back to Bluetooth mode.
7. Rotate the VOLUME CONTROL KNOB to adjust the sound level.

## AUX-IN OPERATION

An external (auxiliary) audio source (i.e. personal CD/MP3 Player/Mobile phone or computer) can be connected to this apparatus via the LINE-IN JACK.

1. Plug a detachable Aux Cable (not provided) into the LINE-IN socket on the function panel of the apparatus.
2. Plug the other end of the Aux Cable into the Headphone or Line Out socket of your External Source.
3. Power on the unit by turning the VOLUME CONTROL KNOB clockwise. The red LED will light to show that the turntable is turned on.
4. Rotate the VOLUME CONTROL KNOB to adjust the sound level.

## EARPHONE OPERATION

Plug the earphone jack into the earphone port on the function panel to listen to the record. The built-in speaker will stop playing once the earphones are plugged in.

NOTE: For best performance and product maintenance, unplug the turntable when not in use.



## FCC STATEMENT

Warning: Changes or modifications to this unit not expressly approved by the party responsible for compliance could void the user authority to operate the equipment.

NOTE: This equipment has been tested and found to comply with the limits for Class B digital device, pursuant to part 15 of the FCC Rules. These limits are designed to provide reasonable protection against harmful interference in a residential installation. This equipment generates, uses and can radiate radio frequency energy and, if not installed and used in accordance with the instructions, may cause harmful interference to radio or television reception, which can be determined by turning the equipment off and on, the user is encouraged to try to correct the interference by one or more of the following measures:

- Reorient or relocate the receiving antenna.
- Increase the separation between the equipment and the receiver.
- Connect the equipment into an outlet on a circuit different from that to which the receiver is connected.
- Consult the dealer or an experienced radio/TV technician for help.

"This equipment complies with FCC RF radiation exposure limits set forth for an uncontrolled environment.

This equipment should be installed and operated with a minimum distance of 20 centimeters between the radiator and your body."

## CALIFORNIA PROP 65 WARNING

"WARNING" This product contains a chemical known to the State of California to cause birth defects or other reproductive harm. For more information on these regulations and a list of chemicals, log on the following website address:  
<http://www.oehha.ca.gov/prop65.html>

## WARRANTY

**Innovative Technology Electronics Corp.  
Limited Warranty: 90 Days Labor, One Year Parts**

Innovative Technology Electronics Corp. (IT) warrants the product to be free from "Defects" in materials under normal use for a period of "One Year" from the date of the original purchase. The Warranty is "Not" transferable. IT agrees, within the initial "90 Day" period, to repair or replace the product if it is determined to be defective at "No Charge". It is further agreed that IT will cover the cost to repair or replace damaged "Parts" only for a total period of "One Year" from the date of the original purchase. The warranty does not cover cosmetic damage, antennas, AC cords, cabinets, headbands, ear-pads, or damage due to line power surges, connection to improper voltage supply or settings, misuse, mishandling, accident, acts of God or attempted repair by an unauthorized service agent.

**To obtain service, the purchaser MUST present an original sales receipt / proof of purchase. Please contact us at [www.ithomeproducts.com](http://www.ithomeproducts.com) to request an RMA (Return Material Authorization) number to return products for service or replacement.** Returns without an RMA number on the package will be refused and returned to sender. Upon receipt of the returning item and our full inspection (IT) may issue a replacement to customer for the same item or of one that has equivalent value and features. To return an item, supply full name, return address, phone number, item purchased, receipt of purchase and reason for return to obtain RMA number.

All returns must be in the original packaging or reasonable substitute to prevent damage. Customer "Must" include full name, shipping address and telephone number inside of package. No return will be shipped back to a PO Box or APO address.

Please include your check or money order in the amount of:

- **USD \$5.00 for items \$10.00 to \$39.99 (Price Paid Per Unit)**
- **USD \$10.00 for items \$40.00 to \$99.99. (Price Paid Per Unit)**
- **USD \$16.00, for items \$100.00 and up. (Price Paid Per Unit)**
- **Shipping fees are non-refundable**

to be payable to Innovative Technology Electronics Corp. (for handling and return shipping charges)  
(IT) will not be responsible for delays or unprocessed claims resulting from a purchaser's failure to provide any / all of the necessary information. Send all inquiries or RMA request via our website [www.ithomeproducts.com/support](http://www.ithomeproducts.com/support).

Innovative Technology Electronics Corp.  
1 Channel Drive  
Port Washington, NY 11050  
Toll free: 1-877-483-2497

**Website for support: [www.ithomeproducts.com/support](http://www.ithomeproducts.com/support)**

There are no express warranties except as listed above.  
REPAIR OR REPLACEMENT AS PROVIDED UNDER THIS WARRANTY IS THE EXCLUSIVE REMEDY OF THE CUSTOMER. (IT) SHALL NOT BE LIABLE FOR ANY INCIDENTAL OR CONSEQUENTIAL DAMAGES FOR BREACH OF ANY EXPRESS OR IMPLIED WARRANTY ON THIS PRODUCT EXCEPT TO THE EXTENT PROHIBITED BY APPLICABLE LAW. ANY IMPLIED WARRANTY OF MERCHANTABILITY OR FITNESS FOR A PARTICULAR PURPOSE ON THIS PRODUCT IS LIMITED IN DURATION TO THE DURATION OF THIS WARRANTY.

Some states do not allow the exclusion or limitation of incidental or consequential damages, or limitations on how long an implied warranty lasts, so the above exclusions or limitations may not apply to you. This warranty gives you specific legal rights and you may also have other rights, which vary from state to state.

**Made In China.**