

**SOUNDLOGIC™** | XT

**Bluetooth  
Wireless Alarm Clock Radio  
with Built-in 2.1A USB Charging Port  
BCRU-12/0137**



**INSTRUCTION MANUAL**

**PLEASE READ ALL INSTRUCTIONS CAREFULLY  
AND RETAIN FOR FUTURE USE**

## **Getting started**

- Remove the product from the box.
- Remove all packaging from the product.
- Please retain all packaging until you have checked and counted all the parts and the contents against the parts list.

## **Packaging Contents**

- Bluetooth Alarm Clock Radio
- Power Adapter
- 3.5mm Auxiliary Cable
- Instruction Manual

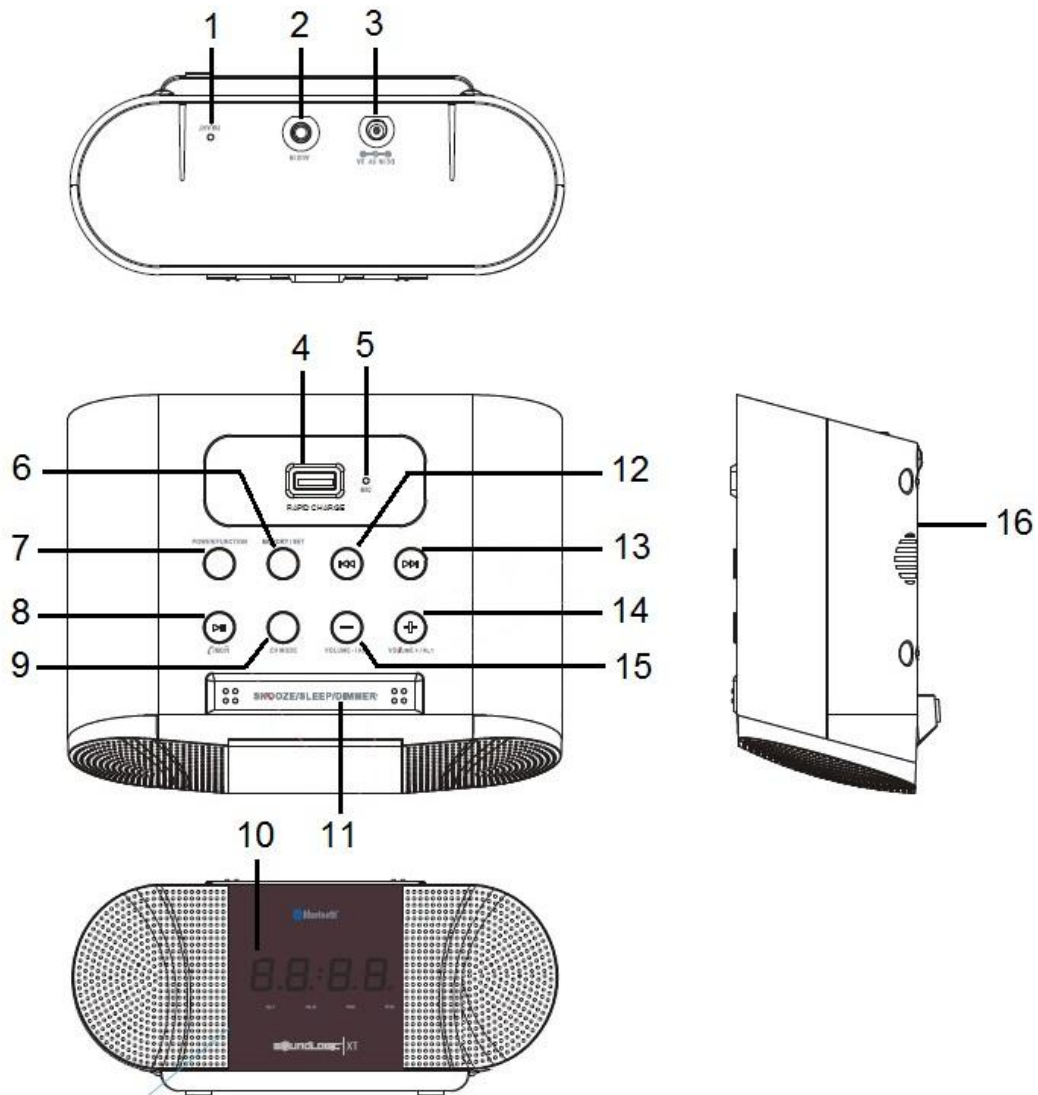
## **Features**

- Digital Alarm Clock with Radio & High Speed USB Charger
- Bluetooth wireless speaker connects to your phone, tablet or computer perfect for waking up to your favorite tunes
- Built-in microphone for hands-free calls with your Bluetooth enables device
- 3.5mm stereo mini-plug input
- Full track control, volume control, tuner functions and snooze button
- Backlit display with dimmer

## **IMPORTANT SAFETY INFORMATION**

- Read all instructions before using this product.
- Do not leave this product unattended while connected to the power supply.
- Keep the unit away from heat sources, direct sunlight, humidity, water and any other liquids.
- Do not operate the unit if it has been exposed to water, moisture or any other liquids to prevent against electric shock, explosion and/or injury to yourself and damage to the unit.
- Do not use the unit if it has been dropped or damaged in any way.
- Repairs to electrical equipment should only be performed by a qualified electrician. Improper repairs may place the user at serious risk.
- Do not use the unit with wet hands.
- Do not put objects into any of the openings.
- Keep the unit free from dust, lint etc.
- Do not use this unit for anything other than its intended use.
- Keep the unit out of reach of children.
- This product is not a toy.
- Do not play music at excessive levels especially near children, as damage to hearing may occur.

## Description of Parts



1	FM Antenna	9	CH MODE Button
2	AUX-IN Port	10	LED Display
3	DC-IN Power Port	11	SNOOZE/SLEEP/DIMMER Button
4	2.1A USB Charging Port	12	⏮ Skip Backward Button
5	MICROPHONE	13	⏭ Skip Forward Button
6	MEMORY/SET Button	14	VOLUME +/AL1 Button
7	POWER/FUNCTION Button	15	VOLUME -/AL2 Button
8	MFB Button (Phone/Mono/Stereo/Play/Pause)	16	Back-Up Battery Compartment

## LED Display



AL1 indicator is ON when Alarm 1 is on.

AL2 indicator is ON when Alarm 2 is on.

PM indicator is ON when time is in PM time.

FM indicator is ON when using radio function.

## INSTRUCTIONS FOR USE

This unit requires AC/DC Power Adaptor (included). 2pcs AAA batteries (Not included) are required for the clock, radio, preset and alarm memory back-up.

### Installing Back-Up Batteries

Unscrew and remove the Back-Up Battery Cover, install 2pcs AAA batteries (Not included) into the compartment with correct polarities.

#### NOTE:

- Do not mix old and new batteries.
- Do not mix different battery types; alkaline, standard (Carbon – Zinc), or rechargeable (Nickel – Cadmium) batteries.
- Do not expose battery to excessive physical shock, vibration, or liquids.
- Do not disassemble, attempt to repair or deform the battery.
- Do not dispose batteries in fire.
- Do not peel or damage the battery label. Risk of explosion and damage to product if batteries are replaced incorrectly. Follow safety information on battery.
- Remove batteries from the unit, if it is not intended to be used for an extended period of time.
- Batteries shall not be exposed to excessive heat such as sunshine or fire.
- Dispose of the used batteries according to the requirements of the local regional needs.

### Connecting the AC Power Source

Insert the small plug from the supplied AC/DC Power Adaptor to DC-IN Power Port at the rear of the unit. Plug the AC/DC Power adaptor to a wall outlet (with AC 100-240V~50/60Hz).

### Clock Setting

Connect the power adaptor. The unit will be in standby mode. You can now set the clock time and adjust the LED brightness as follows:

## **SETTING THE TIME MANUALLY**

1. To set the hour, press and hold the MEMORY/SET button until the hour digits flash.
2. While the hour digits are flashing, repeatedly press the ►► or ◄◄ button to adjust the correct hour.
3. Press the MEMORY/SET button to confirm the hour setting and the minute digits will flash to prompt for adjusting.
4. While the minute digits are flashing, repeatedly press the ►► or ◄◄ button until the correct minute value is displayed.
5. Press the MEMORY/SET button again to complete the clock setting.
6. With the current time showing, press and hold the SNOOZE/SLEEP/DIMMER button until "12H" appears and flashes on the display. Press the ►► or ◄◄ button to switch to 24 hour format.

### **NOTE:**

- a. While setting the PM time in 12H mode, make sure the PM indicator turns on.
- b. Short press the SNOOZE/SLEEP/DIMMER button to adjust the LED display brightness to high or low level accordingly.

## **Radio Operation**

### **TUNING THE RADIO AND STORING THE PRESETS**

1. Press the POWER/FUNCTION button on the unit to turn on the unit.
2. Press the POWER/FUNCTION button repeatedly to select the RADIO mode. FM frequency will be displayed.
3. Press and hold either the ►► or ◄◄ button to automatically search for a station and stop when one radio station is found.

### **NOTE:**

Press ►► or ◄◄ button repeatedly to fine tune the station received during auto tuning.

4. Press the MEMORY/SET button and ►► or ◄◄ button to store the received stations in order.
5. Press the MEMORY/SET button again to confirm the setting.
6. Repeat steps 3 - 5 to search and store the desired stations. Totally, 20 stations can be stored in memory.
7. Press the CH MODE button and ►► or ◄◄ button to select the stored station you wish to listen. The LED display will show the frequency of the preset station you selected. Then the unit will start playback.
8. Adjust the sound level by pressing the VOLUME +/AL1 or VOLUME -/AL2 buttons

### **NOTE:**

- a. Fully extend the FM antenna to get better reception.
- b. If the received FM stations are in stereo mode, the unit will play in stereo mode automatically. If reception is weak, press the MFB (Mono/Stereo) button to turn the unit to mono mode.

## Alarm Operation

The unit provides two alarms setting: AL1 and AL2. You can choose to use them independently or simultaneously:

### SETTING THE ALARM(S)

1. Press and hold POWER/FUNCTION button to turn off the unit.
2. Press and hold the VOLUME +/AL1 (or VOLUME -/AL2) button until the hour digits blinks. The alarm 1 (or alarm 2) indicator will light depending on which alarm is chosen.
3. When the hour digits blinks, press the ►► or ◄◄ button to adjust your desired hour.
4. Press the VOLUME +/AL1 (or VOLUME -/AL2) button to save the hour setting, the minute digits will blink.
5. When the minute digits blink, press the ►► or ◄◄ button to adjust your desired minute value.
6. Press the VOLUME +/AL1 (or VOLUME -/AL2) button to save the minute setting.
7. Press ►► / ◄◄ to select wakeup mode for buzzer (showing “b”) or radio (showing “F”). Press the VOLUME +/AL1 (or VOLUME -/AL2) button to save.
8. Then press ►► / ◄◄ to adjust the volume level. Press the VOLUME +/AL1 (or VOLUME -/AL2) button to save.

### SNOOZE FUNCTION

When the alarm goes off, press the SNOOZE/SLEEP/DIMMER button once. The alarm will stop and resume after 9 minutes.

### TURNING THE ALARM ON/OFF

When the alarm goes off, press and hold POWER/FUNCTION button to put the unit in STANDBY mode.

Press the VOLUME +/AL1 (or VOLUME -/AL2) to deactivate the alarm. The previous presets will be cancelled and you can follow the alarm setting steps to reset the alarm.

### Play music using “AUX-IN” Port

This unit comes with an auxiliary input port to connect your cell phone or MP3 player, etc.

1. Insert the Auxiliary cable (included) in the AUX-IN Port at the rear of the unit and the other end of the cable into the Line-out jack or phone jack of your audio device.
2. Press the POWER/FUNCTION button repeatedly until “AU” appears on the display, the unit will turn to AUX IN mode.
3. Activate your external device.
4. During playback:  
Press the VOLUME +/AL1 button to increase the volume.  
Press the VOLUME -/AL2 button to decrease the volume.

**NOTE:**

- a. ►► / ◄◄ / Play/Pause buttons can only work in Bluetooth Operation.
- b. If there is no sound, or the sound is not loud enough, you can increase the volume from your source device.

**Bluetooth Operation****Pairing with Bluetooth devices (phone or music device)**

1. Press the POWER/FUNCTION button repeatedly until “bt” appears on the display.
2. Place the unit and Bluetooth device (phone or music device) so that they are no further than 3 feet apart.
3. Activate the Bluetooth function on your Bluetooth device (phone or music device). Please refer to the manufacturer’s instructions for instructions on enabling Bluetooth on your device.
4. Once you have activated Bluetooth on your device, select the unit “**SL BT CLK RADIO**” from the list of available Bluetooth devices.
5. If required, enter the password ‘0000’ to confirm & finalize pairing.
6. Once paired successfully, you would hear an indication tone.
7. Press the Play/Pause button to start playing music when the audio player is activated.
8. If you want to connect the other Bluetooth device, long press the MFB button for 2-3 seconds to disconnect the current connection.

**Playing Music Control**

1. Press ◄◄ to skip to the previous track.
2. Press ►► to skip to the next track.
3. Press Play/Pause button to switch between play and pause.
4. Press VOLUME +/ AL1 button to increase the volume.
5. Press VOLUME -/ AL2 button to decrease the volume.

### Talking using the Bluetooth Speaker Function

Please ensure that your cell phone is paired with the Bluetooth Speaker Function to use the below functions.

Function	Operation	Button
Answer Incoming Call	Incoming Call	Short press the MFB button to answer an incoming call.
Reject Incoming Call	Incoming Call	Long press the MFB button for 2-3 seconds
End Call	Incoming Call	After your phone conversation, short press the MFB button
Volume Increase	During a call	Long press on the VOLUME +/ AL1 button will increase the volume
Volume Decrease	During a call	Long press on the VOLUME -/ AL2 button will decrease the volume
Redial last dialed number	Connected to a device	Quick press the MFB button twice to redial the last dialed number

### SLEEP TIMER

The sleep timer allows you to turn the unit off after the preset time is reached.

You can use the sleep timer to fall asleep for 90, 80, 70, 60, 50, 40, 30, 20 or 10 minutes intervals.

1. Select the desired radio station or activate your AUX IN / Bluetooth source and set the volume to the comfortable level.
2. Press the SNOOZE/SLEEP/DIMMER button repeatedly to select a sleep time. Each time the button is pressed, the sleep time will be decreased in 10 minute increments. The unit will play for the selected length of time then automatically turn off.

### Charging iPad, iPhone or other mobile phone...etc

Connect the charging cable (not supplied) to the USB Charging Port on the top of the unit and your device (iPad, iPhone or other mobile phone...etc), the charging will start.

Note: The maximum output from the USB port is DC 5V 2.1A. Refer to the user's manual for your specific device for manufactures required charging amperage as well as determining the appropriate cable for your device before charging.



## Specifications

<b>Bluetooth specification</b>	Bluetooth V2.1+EDR
<b>Operating distance</b>	33 Feet, Class II
<b>Power Source</b>	AC/DC Power Adapter Input: 100-240V~50/60Hz 0.5A Output: 5V ---2500mA Centre Positive
<b>Speaker</b>	2 x 1W
<b>FM radio frequency</b>	87.5 to 108MHz
<b>Dimensions</b>	6-1/8" x 5" x 2-1/2"
<b>Weight (not including Power Adaptor)</b>	12 oz

## Troubleshooting

<b>Problem</b>	<b>Possible Cause</b>	<b>Solution</b>
<b>The unit does not respond (no power)</b>	The unit is disconnected from the AC outlet. The AC outlet has no power.	Connect to the AC outlet. Try the unit on another outlet.
<b>Low sound level</b>	Source (Tablet, Mobile Phone, Laptop, etc.) volume too low.	Adjust source volume.
<b>Sound distorted</b>	Volume level is set too high.	Decrease the volume.
<b>No sound</b>	Source (Tablet, Mobile Phone, and Laptop.) turned off. Speaker turned off. Volume turned down source. Media paused on source.	Turn the source on. Turn the speaker on. Adjust volume source. Play media from source.
<b>Unable to Pair</b>	Bluetooth Disconnected	Turn OFF the Speaker; and then Turn ON the speaker after about 30seconds. Keep your Bluetooth Speaker and Bluetooth enabled device within 3 Feet of each other during the pairing process. After a successful pairing, "bt" will appear on display.

## **Care and Maintenance**

Clean the unit with a soft, damp cloth. Never use chemicals or hard abrasives.  
Keep this unit away from wet or damp surroundings.

The crossed out wheelee bin symbol on this item indicates that this product needs to be disposed of in an environmentally friendly way when it becomes of no further use or has worn out. Contact your local authorities for details of where to take the item for re-cycling.

Note: iPod and iPhone are trademarks of Apple Inc, registered in the US, and other countries.

## **FCC Instructions**

Changes or modifications not expressly approved by the party responsible for compliance could void the user's authority to operate the product.

NOTE: This product has been tested and found to comply with the limits for a Class B digital device, pursuant to Part 15 of the FCC Rules. These limits are designed to provide reasonable protection against harmful interference in a residential installation. This product generates, uses and can radiate radio frequency energy and, if not installed and used in accordance with the instructions, may cause harmful interference to radio communications. However, there is no guarantee that interference will not occur in a particular installation. If the product does cause harmful interference to radio or television reception, which can be determined by turning the equipment off and on, the user is encouraged to try to correct the interference by one or more of the following measures :

- Reorient or relocate the receiving antenna.
- Increase the separation between the product and receiver.
- Connect the product into an outlet on a circuit different from that to which the receiver is connected.
- Consult the dealer or an experienced radio/TV technician for help.

This device complies with part 15 of the FCC Rules. Operation is subject to the following two conditions: (1) This device may not cause harmful interference, and (2) this device must accept any interference received, including interference that may cause undesired operation.

The device has been evaluated to meet general RF exposure requirement.

The device can be used in portable exposure condition without restriction.

### **Limited Warranty**

This manufacturer's product warranty extends to the original consumer purchaser of the product. Neither the retailer nor any other company involved in the sale or promotion of this product is a co-warrantor of this manufacturer warranty.

**WARRANTY DURATION:** All materials and workmanship are warranted to the original consumer purchaser for a period of ninety (90) days from the original purchase date.

**WARRANTY COVERAGE:** This product is warranted against defective materials or workmanship. This warranty is void if the product has been damaged by accident, in shipment, unreasonable use, misuse, neglect, improper service, commercial use, repairs by unauthorized personnel or other causes not arising out of defects in materials or workmanship. This warranty is effective only if the product is purchased and operated in USA, and does not extend to any units which have been used in violation of written instructions furnished by manufacturer or to units which have been altered or modified or, to damaged products or parts thereof which have had the serial number removed, altered, defaced or rendered illegible.

**WARRANTY DISCLAIMERS:** This warranty is in lieu of all warranties expressed or implied and no representative or person is authorized to assume for manufacturer any other liability in connection with the sale of our products. There shall be no claims for defects or failure under any theory of tort, contractor commercial law including but not limited to, negligence, gross negligence, strict liability, breach of warranty and breach of contract. Under no circumstances will Manufacturer's / Distributor's maximum liability exceed the retail value of the product.

**WARRANTY PERFORMANCE:** During the above 90 day warranty period, a product with a defect will be either repaired or replaced with a reconditioned comparable model (at manufacturer's option). The repaired or replacement product will be in warranty for the balance of the 90 day warranty period and an additional one-month period. No charge will be applicable for such repair or replacement.

**SERVICE AND REPAIR:** If service is required for this product, you should first contact Midwest Trading Group Customer Service at [info@mtradinggroup.com](mailto:info@mtradinggroup.com) or by calling 1 (866) 815-4714, Monday to Friday 10am to 6pm EST.

**NOTE:** Manufacturer cannot assume responsibility for loss or damage during incoming shipment. As a precautionary measure, carefully package the product for shipment, and insure it with the carrier. Be sure to enclose the following details with the product: your full name, return address and daytime phone number, a note describing the problem you experienced, a copy of your sales receipt or other proof of purchase to determine warranty status. C.O.D. shipments cannot be accepted.