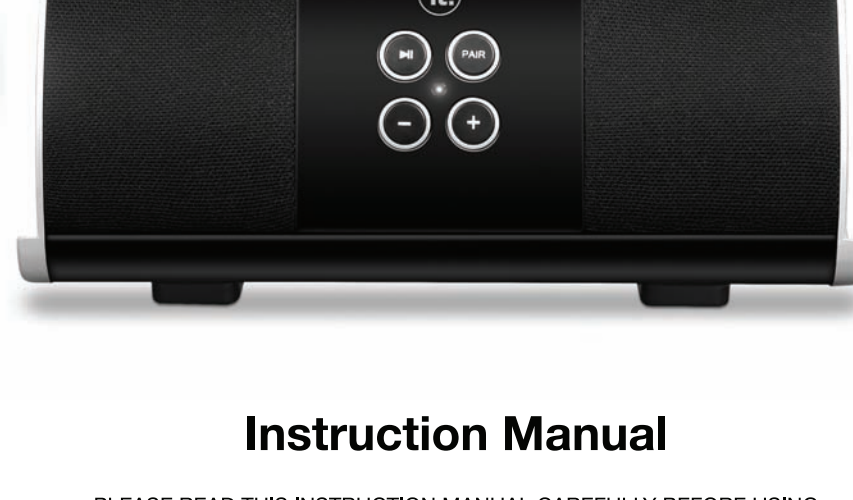




## Countertop Bluetooth® Speaker

Model: ITSB-203B



### Instruction Manual

PLEASE READ THIS INSTRUCTION MANUAL CAREFULLY BEFORE USING AND KEEP IT FOR FUTURE REFERENCE.

Made in China.

V130626



The lightning flash with arrowhead symbol, within an equilateral triangle, is intended to alert user to the presence of uninsulated "dangerous voltage" within the product's enclosure, that may be of sufficient magnitude to constitute a risk of electric.



The exclamation point within an equilateral triangle is intended to alert user to the presence of important operating and maintenance (servicing) instruction in the literature accompanying the appliance.



**CAUTION: TO REDUCE THE RISK OF ELECTRIC SHOCK, DON'T REMOVE COVER ( OR BACK ). NO USER-SERVICEABLE PARTS INSIDE. REFER SERVICING TO QUALIFIED SERVICE PERSONNEL.**

#### WARNING

**USE UNDER SUPERVISION OF AN ADULT DUE TO LONG CORD**  
This unit has a long cord that can be easily tripped on or pulled on, causing injury. Please make sure it is arranged so it will not drape over a tabletop, etc. Where it can be pulled on by children or tripped over accidentally.

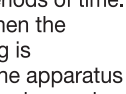
#### FCC NOTICE:

This equipment has been tested and found to comply with the limits for Class B digital device, pursuant to part 15 of the FCC Rules. These limits are designed to provide residential installation. This equipment generates, uses and can radiate radio frequency energy and, if not installed and used in accordance with the instructions, may cause harmful interference to radio communications. However, there is no guarantee that interference will not occur in a particular installation. If this equipment does cause harmful interference to radio or television reception, which can be determined by encouraged to try to correct the interference by one or more of the following measures:  
1. Reorient or relocate the receiving antenna.  
2. Increase the separation between the equipment and receiver.  
3. Connect the equipment into an outlet on a circuit different from that to which the receiver is connected.  
4. Consult the dealer or an experienced radio/TV technician for help.  
To assure continued compliance, follow the attached installation instructions and use only shield cables when connecting to other devices. Modifications not authorized by the manufacturer may void user's authority to operate this device.

**Before using the unit, be sure to read all operating instruction carefully, please note that these are general precautions and may not pertain to your unit. For example, this unit may not have the capability to be connected to an outdoor antenna.**

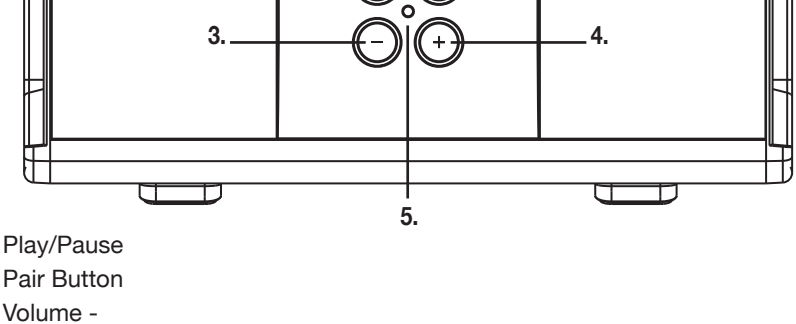
1. Read these instructions  
All safety and operating instructions should be read before the product is operated.  
2. Keep these instructions  
The safety and operating instructions should be retained for future reference.

3. Heed all warnings  
All warnings on the product and in the operating instruction manual should be adhered to.  
4. Follow these instructions  
All operating and use instructions should be followed.  
5. Do not use this apparatus near water  
Do not use the product near water and moisture, for example: near a bathtub, washbowl, kitchen sink or laundry tub; in a wet basement; or near a swimming pool.  
6. Clean only with dry cloth  
Unplug this product from the wall outlet before cleaning. Do not use liquid cleaners or aerosol cleaners. Use a dry cloth for cleaning.  
7. Do not block any ventilation openings. Install in accordance with the manufacturer's instructions.  
Slots and openings in the cabinet and in the back or bottom are provided for ventilation, to ensure reliable operation of the product and to protect it from overheating. These openings must not be blocked or covered. The openings should never be blocked by placing the product on a bed, sofa, rug or other similar surface. This product should never be placed near or over a radiator or heat source. This product should not be placed in a built-in installation such as a bookcase or rack unless proper ventilation is provided or the manufacturer's instructions have been adhered to.  
8. Do not install near any heat sources such as radiators, heat registers, stoves, or other apparatus (including amplifiers) that produce heat.  
9. Do not defeat the safety purpose of the polarized or grounding-type plug. A polarized plug has two blades and a third grounding prong. The wide blade or the third prong are provided for your safety. If the provided plug does not fit into your outlet, consult an electrician for replacement of the obsolete outlet.  
10. Protect the power cord from being walked on or pinched particularly at plugs, convenience receptacles, and the point where they exit from the apparatus.  
11. Only use attachments/accessories specified by the manufacturer.  
12. Use only with the cart, stand, tripod, bracket, or table specified by the manufacturer, or sold with the apparatus. When a cart is used, use caution when moving the cart/apparatus combination to avoid injury from tip-over.



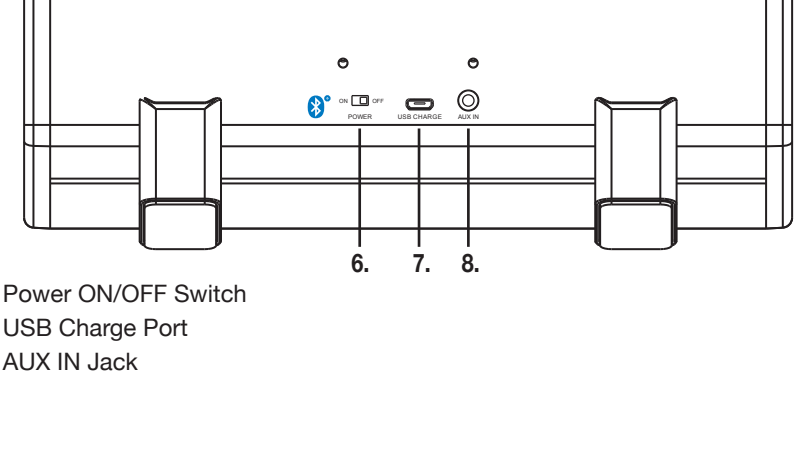
13. Unplug this apparatus during lightning storms or when unused for long periods of time.  
14. Refer all servicing to qualified service personnel. Servicing is required when the apparatus has been damaged in any way, such as power-supply cord or plug is damaged, liquid has been spilled or objects have fallen into the apparatus, the apparatus has been exposed to rain or moisture does not operate normally, or has been dropped.  
15. Power source  
The product should be operated only from the type of power source indicated on the marking label. If you are not sure of the type of power supply to your home, consult your appliance dealer or local power company. For products intended to operate from battery power, or other sources, refer to the operating instructions.  
16. Power lines  
An outside antenna system should not be located in the vicinity of overhead power lines or other electric light or power circuits, or where it can fall into such power lines or circuits. When installing an outside antenna system, extreme care should be taken keep from touching such power lines or circuits as contact with them might be fatal.  
17. Overloading  
Do not overload wall outlets and extension cords as this can result in a risk or fire or electric shock.  
18. Object and liquid entry  
Never push objects of any kind into the product through as they may touch dangerous voltage points or short out parts that could result in fire or electric shock. Never spill or spray any type of liquid on the product.  
19. Outdoor antenna grounding  
If an outside antenna is connected to the product, be sure the antenna system is grounded so as to provide some protection against voltage surges and built up static charges, section 810 of the National Electrical Code, ANSI/NFPA 70, provides information with respect to proper grounding of the mast and supporting structure, grounding of lead-in wire to an antenna discharge product, size of grounding conductors, location of antenna discharge product, connection to grounding electrodes and requirements for the grounding electrodes.  
20. Service  
Do not attempt to service this product yourself as opening or removing covers may expose you to dangerous voltage or other hazards. Refer all servicing to qualified servicing personnel.  
21. Replacement parts  
When replacement parts are required, be sure the service technician uses replacement parts specified by the manufacturer or those that have the same characteristics as the original part. Unauthorized substitutions may result in fire or electric shock or other hazards.  
22. Safety check  
Upon completion of any service or repairs to this product ask the service technician to perform safety checks to determine that the product is in proper operating condition.  
23. Wall or ceiling mounting  
Never product should be mounted to a wall or ceiling only as recommend by the manufacturer.  
24. Damage requiring service  
Unplug the product from the wall outlet and refer servicing to qualified service personnel under the following conditions:  
A: when the power-supply cord or plug is damaged.  
B: if liquid has been spilled or objects have fallen into the product.  
C: if the product has been exposed to rain or water.  
D: if the product does not operate normally by following the operating instructions. Adjust only those controls that are covered by the operating instructions as improper adjustment may result in damage and will often require extensive work by a qualified technician to restore the product to its normal operation.  
E: if the product has been dropped or the cabinet damaged in any way.  
F: when the product exhibits a distinct change in performance -this indicates a need for service.  
25. Note to CATV system installer  
This reminder is provided to call the CATV system installer's attention to Article 820-40 of the NEC that provides guidelines for proper grounding and, in particular, specifies that the cable ground shall be connected to the grounding system of the building, as close to the point of cable entry as practical.  
Note:  
Refer all servicing to qualified service personnel. Servicing is required when the unit has been damaged any way such as the following: the power-supply cord or plug has been damaged, liquid has been spilled into the unit, the unit has been dropped or the unit does not operate normally.

#### FRONT



1. Play/Pause
2. Pair Button
3. Volume -
4. Volume +
5. LED Indicator

#### BACK



6. Power ON/OFF Switch
7. USB Charge Port
8. AUX IN Jack

#### BATTERY CHARGING

This speaker is powered by the internal rechargeable battery. When the battery is nearly exhausted, a red indicator will light and flash, the speaker should be charged as soon as possible. Connect the unit with USB cable to the USB charge port, and the red indicator will turn solid red while charging. When charging is completed, the red indicator will turn off.

#### NOTE:

- A complete charge takes about 2 hours.
- The battery will charge whether the speaker is switched on or off.

#### BLUETOOTH

Pairing and connection  
1. Move the Power On/Off to the ON position. Blue light will be on.  
2. Press the PAIR button on the front of the unit, the blue indicator will flash quickly and enter pairing mode.  
3. Please make sure your Bluetooth connection is activated on your device. Each Bluetooth device is different so refer to your device's operating manual if you are unsure how to activate your Bluetooth connection. During searching, the blue indicator will keep flashing. The Bluetooth device will scan for the unit and identify it as ITSB-203B. Select ITSB-203B on your Bluetooth device to connect.  
4. When connected, the speaker will beep and the blue indicator will be solid.

#### NOTE:

- Make sure to disconnect the AUX IN cable before Bluetooth pairing.
- If the device asks to input a password during pairing, please enter 0000.
- If the device is unable to connect with the speaker, turn off the speaker, then turn on and reconnect again.

#### During playback:

- Press + and - buttons to adjust the volume level.
- During playback, press play/pause button to pause and press again to resume.

#### NOTE:

- Play/Pause functions may not work with all Bluetooth devices.
- When the AUX IN cable is connected, the AUX IN source will be selected and there will be no audio output from Bluetooth source.

#### AUX IN CONNECTION

1. Connect a stereo 3.5mm jack cable (supplied) between the headphone or LINE IN/audio output of the personal audio player and the AUX IN jack on the back panel.
2. Set your personal audio player/computer to play.
3. Set the listening volume to the level you prefer with the volume control on the speaker.

#### NOTE:

-- If there is no sound or if the volume level is not loud enough, you may need to increase the volume setting on your external device. Your personal audio player, or similar device, should be around 3/4 maximum volume for ideal operation.

#### SPECIFICATION

Audio output.....2x2W  
Bluetooth working range.....33 feet  
Charge time for built-in rechargeable battery.....2 hours  
Playback time.....5 hours  
(with volume set to 50% of the maximum volume)

#### TROUBLESHOOTING

- No power:**  
--The battery may be used up. Connect the unit to a USB power source to charge it.  
**Unable to connect to the speaker:**  
--Check if the Bluetooth indicator is flashing, please switch off the power, then switch on and reconnect again.  
--Check if the Bluetooth connection is activated on your Bluetooth device. If not, activate the connection.  
**Connected but no sound from Bluetooth source:**  
--Check if the AUX IN cable is connected. If yes, unplug the AUX IN cable.  
--Check if the Bluetooth connection is out of working distance. If yes, move it closer to the speaker.  
--Check if your Bluetooth source is in playback mode. If not, start the playback.

#### IN THE BOX

- 1x Bluetooth Speaker
- 1x Micro USB to USB cable
- 1x User Manual

#### Innovative Technology Electronics Corp.

**Limited Warranty: 90 Days Labor, One Year Parts**

Innovative Technology Electronics Corp. (IT) warrants the product to be free from "Defects" in materials under normal use for a period of "One Year" from the date of the original purchase. The Warranty is "Not" transferable. IT agrees, within the initial "90 Day" period, to repair or replace the product if it is determined to be defective at "No Charge". It is further agreed that IT will cover the cost to repair or replace damaged "Parts" only for a total period of "One Year" from the date of the original purchase. The warranty does not cover cosmetic damage, antennas, AC cords, cabinets, headbands, ear-pads, or damage due to line power surges, connection to improper voltage supply or settings, misuse, mishandling, accident, acts of God or attempted repair by an unauthorized service agent.

To obtain service, the purchaser MUST present an original sales receipt / proof of purchase. Please contact us at [www.ithomeproducts.com](http://www.ithomeproducts.com) to request an RMA (Return Material Authorization) number to return products for service or replacement. Returns without an RMA number on the package will be refused and returned to sender. Upon receipt of the returning item and our full inspection (IT) may issue a replacement to customer for the same item or of one that has equivalent value and features. To return an item, supply full name, return address, phone number, item purchased, receipt of purchase and reason for return to obtain RMA number.

All returns must be in the original packaging or reasonable substitute to prevent damage. Customer "Must" include full name, shipping address and telephone number inside of package. No return will be shipped back to a PO Box or APO address.  
Please include your check or money order in the amount of  
• **USD\$5.00 for items \$10.00 to \$39.99 (Price Paid Per Unit)**  
• **USD\$10.00 for items \$40.00 to \$99.99. (Price Paid Per Unit)**  
• **USD\$16.00, for items \$100.00 and up. (Price Paid Per Unit)**  
• **Shipping fees are non-refundable**

to be payable to Innovative Technology Electronics Corp. (for handling and return shipping charges) (IT) will not be responsible for delays or unprocessed claims resulting from a purchaser's failure to provide any / all of the necessary information.  
Send all inquiries or RMA request via our website:  
[www.ithomeproducts.com/support](http://www.ithomeproducts.com/support).

Innovative Technology Electronics Corp.  
1 Channel Drive, Port Washington, NY 11050  
Toll free: 1-877-483-2497  
Website for support: [www.ithomeproducts.com/support](http://www.ithomeproducts.com/support)

There are no express warranties except as listed above.  
**REPAIR OR REPLACEMENT AS PROVIDED UNDER THIS WARRANTY IS THE EXCLUSIVE REMEDY OF THE CUSTOMER, (IT) SHALL NOT BE LIABLE FOR ANY INCIDENTAL OR CONSEQUENTIAL DAMAGES FOR BREACH OF ANY EXPRESS OR IMPLIED WARRANTY ON THIS PRODUCT EXCEPT TO THE EXTENT PROHIBITED BY APPLICABLE LAW. ANY IMPLIED WARRANTY OF MERCHANTABILITY OR FITNESS FOR A PARTICULAR PURPOSE ON THIS PRODUCT IS LIMITED IN DURATION TO THE DURATION OF THIS WARRANTY.**

Some states do not allow the exclusion or limitation of incidental or consequential damages, or limitations on how long an implied warranty lasts, so the above exclusions or limitations may not apply to you. This warranty gives you specific legal rights and you may also have other rights, which vary from state to state.

## FCC STATEMENT

1. This device complies with Part 15 of the FCC Rules. Operation is subject to the following two conditions:

- (1) This device may not cause harmful interference.
- (2) This device must accept any interference received, including interference that may cause undesired operation.

Changes or modifications not expressly approved by the party responsible for compliance could void the user's authority to operate the equipment.

NOTE: This equipment has been tested and found to comply with the limits for a Class B digital device, pursuant to Part 15 of the FCC Rules. These limits are designed to provide reasonable protection against harmful interference in a residential installation.

This equipment generates uses and can radiate radio frequency energy and, if not installed and used in accordance with the instructions, may cause harmful interference to radio communications. However, there is no guarantee that interference will not occur in a particular installation. If this equipment does cause harmful interference to radio or television reception, which can be determined by turning the equipment off and on, the user is encouraged to try to correct the interference by one or more of the following measures:

- Reorient or relocate the receiving antenna.

- Increase the separation between the equipment and receiver.

- Connect the equipment into an outlet on a circuit different from that to which the receiver is connected.

- Consult the dealer or an experienced radio/TV technician for help.