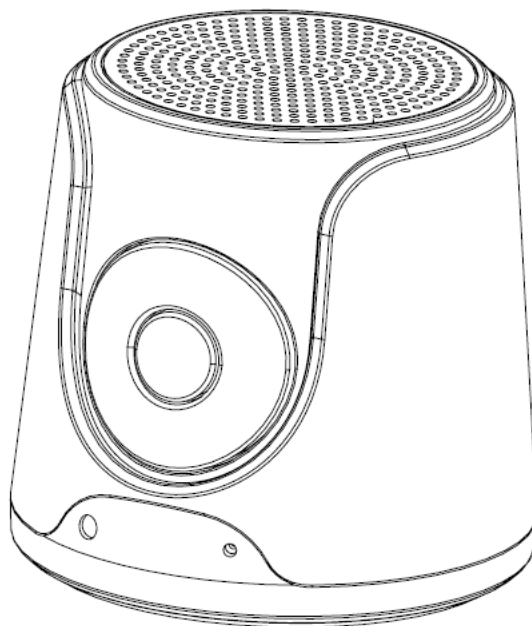




BLUETOOTH SPERAKER



Model:PBT510

Safety Instructions



-The lightning flash with arrowhead symbol within an equilateral triangle is intended to alert the user to the presence of uninsulated “dangerous voltage” within the product’s enclosure that may be of sufficient magnitude to constitute a risk of electric shock to persons.

-The exclamation point within an equilateral triangle is intended to alert the user to the presence of important operating and maintenance (servicing) instructions in the literature accompanying the appliance.

-Read these instructions.

-Keep these instructions.

-Heed all warnings.

-Follow all instructions.

-Do not use this apparatus near water.

-Clean only with a slightly damp cloth.

-Do not block any ventilation openings.

-Install in accordance with the manufacturer’s instructions.

-Do not install or operate near any heat sources such as radiators, stoves, or other apparatus that produce heat.

-Unplug this apparatus during lightning storms or when unused for long periods of time.

-Refer all servicing to qualified service personnel. Servicing is required when the apparatus has been damaged in any way, such as the power-supply cord or plug is damaged, liquid has been spilled or objects have fallen into the apparatus, the apparatus has been exposed to rain or moisture, does not operate normally, or has been dropped.

Warning

-:To reduce the risk of fire or electrical shock, do not expose this product to rain or moisture.

-The product must not be exposed to dripping and splashing and no object filled with liquids such as a vase of flowers should be placed on the product.

-No naked flame sources such as candles should be placed on the product.

-Batteries (a battery pack or installed batteries) shall not be subject to excessive heat such as sunshine, fire or the like.

Caution:

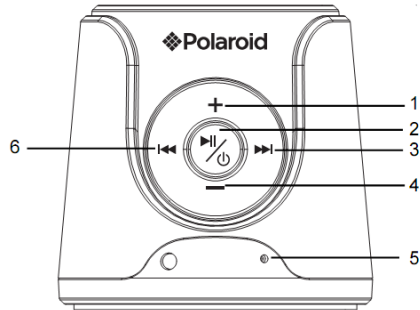
-Changes or modifications not expressly approved by the manufacturer could void the user’s authority to operate this device.

Caution:

-Usage of controls or adjustments or performance of procedures other than those specified herein may result in hazardous exposure.

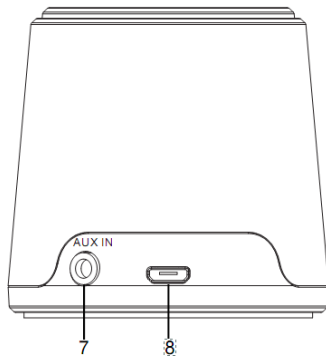
Product Overview

Control Panel



1. Volume up button
2. Play/Pause/Standby button
3. Next button
4. Volume button
5. Built-in microphone
6. Previous button

Jack Panel



7. Aux Jack
8. USB Charging Port

Charge Battery

The device is operated via the integrated lithium battery. Charge the battery as follows:

- 1.Plug the micro B USB plug of the charging cable into the jack of the device. Connect the USB plug to a powered-on computer. The indicator lights up red and the battery begin to charge.
- 2.If the battery is completely charged, the indicator red light turns off.
- 3.Remove the charging cable from the Speaker and PC.

Note:

-In Bluetooth mode, the Speaker will send an alarm sound every 30 seconds when the battery is nearly exhausted,.

Battery Caution

- The battery (batteries or battery pack) shall not be exposed to excessive heat such as sunshine, fire or the like.
- Danger of explosion if battery is incorrectly replaced. Replace only with the same or equivalent type.
- Please refer to the information on exterior bottom enclosure for electrical and safety information before installing or operating the apparatus.

Use

You have two ways to use the device: By cable or cordless via Bluetooth.

By cable

1. Connect supplied the 3.5 mm stereo cable to an external audio source.
2. Insert the other end of the cable into the AUX IN Jack on the Speaker
3. Turn on the Speaker by holding the Standby button .
4. Set the volume of the external audio source to an audible volume.
5. Adjust the volume with the Volume +/- buttons on the device.

Cordless via Bluetooth

If an audio cable is connected to the AUX IN jack, A connection via Bluetooth Is not possible. Due to the different device manufacturers, models, and software versions, a full functionality cannot be guaranteed.

- Logging on devices (Pairing)

Before you listen to music via the unit, you must pair the devices.

1. Ensure that the Bluetooth function is activated in your player (e.g. mobile phone). For this, refer to the operation manual of your player.
2. Turn on the Speaker by holding the Standby button. The Bluetooth indicator will start to flash rapidly after a short time.The Device Is now set to the pairing mode.

3. Chose the Bluetooth menu in your player and register the device in your player. For For this, refer to the operation manual of your player. The Device "PBT510WG" Will show in your player as a selection.

4. If the playback device was recognized, The Bluetooth indicator will blink slowly. After successful registration, the Bluetooth indicator will stop flashing.

Note:

-Depending on the device manufacturer, you need to perform the registration (PAIRING) again to connect the devices.

- In case of problems with the pairing of a playback device, Deactivate The WiFi-/and mobile data function in your playback device.

-The Bluetooth compatibility cannot be ensured for devices (e.g.Mobile phones) getting released in the future.

-To ensure an optimal connection, Make sure that the battery of your player is completely charged.

-Some of The mobile phone brands have an energy-saving mode. Deactivate the energy-saving mode as it can otherwise result in problems during the data transfer through Bluetooth.

-If a mobile phone on which you are playing music receive a call, The music will be interrupted. Press the Phone button to accept the call. The sound is replayed by the loudspeakers. Speak into the microphone on the device or transfer the conversation to your mobile phone. To do this, observe the overlay in the display of the mobile phone. After you have ended the call, The devices are connected to each other again and playback continues.

Operation

On/Off

·Turn on the Speaker by holding Standby button. The Bluetooth indicator will start to blink.

Note:

-Automatic connection If supported by your player (e.g. mobile phone), the devices will be connected automatically. The prerequisite for this is:

1.Devices were already paired with each other.

2.Bluetooth Is Activated In Your Player.

Hold the Standby button to turn off the Speaker .The units are disconnected.

Adjust Volume

·Press the Volume +/- buttons to set the desired volume.

Note:

-The volume on the playback device may not be set too low and not too high either. It could otherwise result in background noises.

Accepting / Ending/Refusing call

- Press the Phone button to accept an incoming call.
- To end the call, press the Phone button again.
- Hold the Phone button to refuse an incoming call

Troubleshooting

Symptoms	Possible cause	Solution
Cannot switch the Speaker on.	Battery exhausted	Charge the battery.
No audio signal during playback through AUX.	Volume of the external audio source is too low.	Increase the volume of the external audio device.
	Volume of the device too low	Increase the volume with + button
No audio signal during Bluetooth connection.	Speaker is switched off.	Switch the Speaker on.
	Speaker is not paired to the audio device.	Check whether the connection exists. If necessary, pair the Speaker to the audio source again.
	Audio cable is connected.	Remove the cable.
	Volume too low	Increase the volume on the Speaker. Increase the volume on the audio source.
Cannot connect Speaker.	Paring dose not work.	Check whether the audio source supports the A2DP protocol.
	Audio source is turned off.	Turn the audio source on.
	Bluetooth is turned off on the audio source.	Turn the Bluetooth function on in the audio source.
	Bluetooth version is not supported.	Use another playback device.

Technical Specifications

Audio output1W

Power supply:.....DC 5 V

Battery:.....3.7V,400mAh Lithium-Ions

Operating time:.....approx. 5 hours

(with volume level set at 1/2)

Bluetooth:

Bluetooth support:.....V2.1+EDR

Range:.....>10 meters

Transmitting frequency:.....2.4GHz

Protocols:.....A2DP,AVRCP

The right to make technical and design modifications in the course of continuous product development remains reserved.

This device has been tested according to all relevant current CE guidelines, such as electromagnetic compatibility and low voltage directives, and has been constructed in accordance with the latest safety regulations.



Correct Disposal of this product. This marking indicates that the product should not be disposed with other household wastes throughout the EU. To prevent possible harm to the environment or human health from uncontrolled waste disposal, recycle it responsibly to promote the sustainable reuse of material resources. To return your used device, please use the return and collection systems or contact the retailer where the product is purchased. They can take this product for environmental safe recycling.

FCC STATEMENT

1. This device complies with Part 15 of the FCC Rules. Operation is subject to the following two conditions:

- (1) This device may not cause harmful interference.
- (2) This device must accept any interference received, including interference that may cause undesired operation.

Changes or modifications not expressly approved by the party responsible for compliance could void the user's authority to operate the equipment.

NOTE: This equipment has been tested and found to comply with the limits for a Class B digital device, pursuant to Part 15 of the FCC Rules. These limits are designed to provide reasonable protection against harmful interference in a residential installation.

This equipment generates uses and can radiate radio frequency energy and, if not installed and used in accordance with the instructions, may cause harmful interference to radio communications. However, there is no guarantee that interference will not occur in a particular installation. If this equipment does cause harmful interference to radio or television reception, which can be determined by turning the equipment off and on, the user is encouraged to try to correct the interference by one or more of the following measures:

- Reorient or relocate the receiving antenna.
- Increase the separation between the equipment and receiver.
- Connect the equipment into an outlet on a circuit different from that to which the receiver is connected.
- Consult the dealer or an experienced radio/TV technician for help.