




CRAIG®

TWIN WATER DANCING SPEAKER
with Bluetooth® Wireless Technology


Owner's Manual

PLEASE READ BEFORE OPERATING THIS EQUIPMENT.

Model: CMA3584



Size: 148.5(W) x 210(H)mm (A5)



GENERAL WARNINGS

1. Read all instructions very carefully before use.
2. This unit is designed for adult use only. Always keep away from children.
3. This unit is designed for indoor use within temperature 5-40°C (41- 104°C) only. If unit freezes, place it in room temperature until the liquid defrosts before powering on the unit.
4. If the unit is broken and/or liquid leaks, discard the unit immediately.

FCC NOTICE

This equipment has been tested and found to comply with the limits for a Class B digital device, pursuant to Part 15 of the FCC Rules. These limits are designed to provide reasonable protection against harmful interference in a residential installation.

This equipment generates, uses and can radiate radio frequency energy and, if not installed and used in accordance with the instructions, may cause harmful interference to radio communications.

However, there is no guarantee that interference will not occur in a particular installation. If this equipment does cause harmful interference to radio or television reception, which can be determined by turning the equipment off and on, the user is encouraged to try to correct the interference by one or more of the following measures:

- Reorient or relocate the receiving antenna.
- Increase the separation between the equipment and receiver.
- Connect the equipment into an outlet on a circuit different from that to which the receiver is connected.
- Consult the dealer or an experienced radio/TV technician for help.

"This equipment complies with FCC RF radiation exposure limits set forth for an uncontrolled environment.

This equipment should be installed and operated with a minimum distance of 20 centimeters between the radiator and your body."

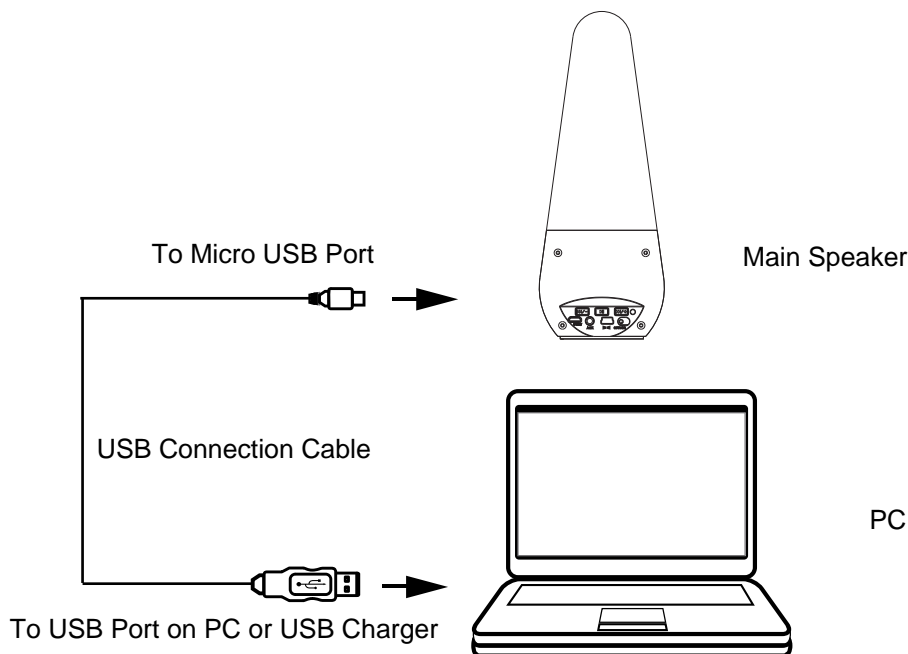
FCC WARNING:

To assure continued compliance, follow the attached installation instructions and only shielded cables when connecting to other devices. Modifications not authorized by the manufacturer may void user's authority to operate this device.

BATTERY RECHARGE

The unit has a built-in Li-ion rechargeable battery, recharge it before first time use or when the battery power is consumed (Tone sound will hearing from the speaker every 30 seconds) as below:

- Connect the Micro USB Plug from the USB Connection Cable to the Micro USB Port on the rear of unit.
- Connect the full size USB Plug to the USB Port on the Personal Computer or any USB Charger having DC \approx 5V output as the figure below.
- During charging, the Red Indicator on the rear of the Main Speaker will illuminate. When finished, it will turn off.



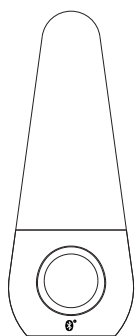
Notes:

Your battery will last longer if you following these simple guidelines for charging and storing it.

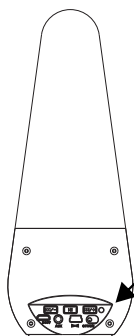
- Recharge and store the battery within the temperature range of 5°C ~ 35 °C (40°F~95°F).
- Do not overcharge (longer than 24 hours). Excessive charging or discharging may shorten the battery's life.
- Battery life naturally shortens slowly over time.
- The rechargeable battery incorporated in this product is not user replaceable.

LOCATION OF CONTROLS

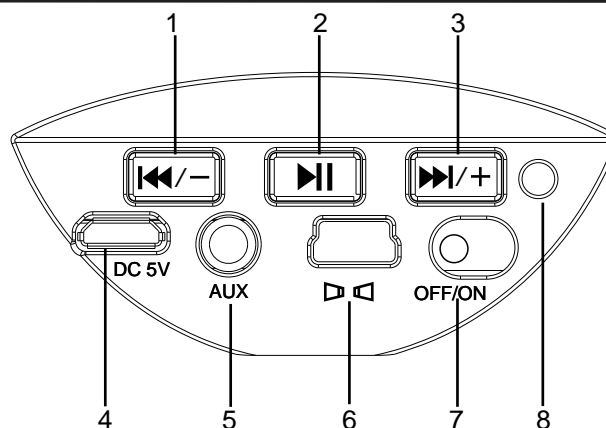
Main Speaker



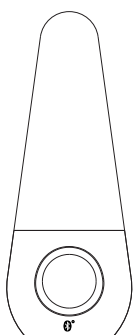
Front View



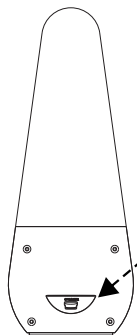
Rear View



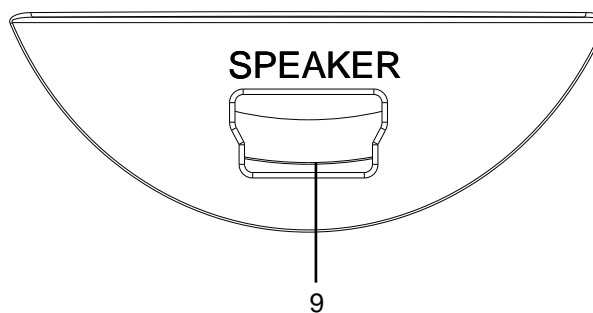
Right Speaker



Front View



Rear View



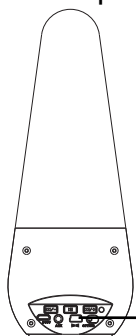
1. ⏪ / - Button
2. ⏸ Button
3. ⏩ / + Button
4. Micro USB Port (For Charging Only)
5. AUX (IN) Jack

6. 🗣️ 🗣️ Right Speaker Connection Jack
7. Power ON/OFF Switch
8. Indicators
9. SPEAKER Connection Jack

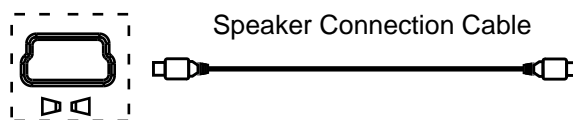
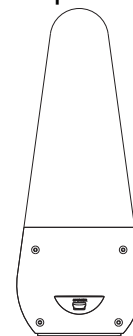
SPEAKER CONNECTIONS

Before use, connect one side of the Speaker Connection Cable to the SPEAKER Connection Jack on the rear of Right Speaker. Connect the other side to the 🗣️ 🗣️ Right Speaker Connection Jack on the Main Speaker as the figures below:

Main Speaker



Right Speaker



OPERATION

BT (BLUETOOTH) PAIRING:

In the first time use or re-pairing the unit to a new BT Device, pairing as below:

1. Connect the Right Speaker to Main Speaker as the previous procedures.
2. Slide the Power ON/OFF Switch on the rear of Main Speaker to ON position, the Blue Indicator will illuminate and blink.
3. Power on the external BT Device and enter to searching mode. Start pairing as the on screen instructions on the external BT Device. After paired, the Blue Indicator will stop blinking. (For details pairing procedures, please refer to the user's manual of your BT Device).

Notes:

- When the external BT Device searched the unit, our model number " CMA3584 " will appear on the display of external BT Device.
- Pairing code "0000" or "1234" may need to enter.

IMPORTANT:

Make sure the Audio Connection Cable has not been inserted into the AUX (IN) Jack on the Main Speaker. Otherwise, BT will not function.

Normal operation after pairing:

1. Turn on the BT function of the external BT Device.
2. Slide the Power ON/OFF Switch on the rear of Main Speaker to ON position to power on the unit, the Blue Indicator will illuminate and blink. Wait a few seconds until BT auto paired. (The Blue Indicator stop blinking).
3. Play the music in the paired BT Device as usual.
4. During playback:
 - Press and hold the ►► / + or ◀◀ / - Buttons to adjust volume level. Or, adjust the volume level of the paired BT Device as usual.
 - Press the ►|| (Play/Pause) Button to pause; press again to resume.
 - Press and release the ►► / + or ◀◀ / - Buttons repeatedly to skip tracks. Or, press the ◀◀ or ►► Buttons on the paired BT Device repeatedly to skip tracks.
5. When finished listening, slide the Power ON/OFF Switch to OFF position to shut off the unit.

AUX IN

To listen the music from the external Audio Player such like MP3 Player, Discman...etc.

1. Slide the Power ON/OFF Switch on the rear of Main Speaker to ON position to power on the unit, the Blue Indicator will illuminate and blink.
2. Insert one end of the Audio Connection Cable to the Line Out; AUX Out or Phones Jack on the external Audio Player.
3. Insert the other end of the Audio Connection Cable to the AUX (IN) Jack on the rear of Main Speaker. The unit will turn to AUX (IN) mode automatically.
4. Plays the music in the connected Audio Player as usual. (Make sure the volume level of the connected audio player is turned to high level. (Otherwise, sound is weak.)
5. During playback:
 - Press the ►|| (Play/Pause) Button to pause; press again to resume.
 - Press and hold the ►► / + or ◀◀ / - Buttons to adjust volume level.
Or, adjust the volume level of the connected Audio Player as usual.
6. When finished listening, slide the Power ON/OFF Switch to OFF position to shut off the unit.

TROUBLESHOOTING

Can't power on	Power of built-in battery consumed	Recharge the battery.
No sound or sound weak	Volume of the unit was set to minimum position	Increase the volume level by press and hold the ►► / + Button
	Volume of paired/connected device is in low volume level	Rise the volume level of the paired BT Device or connected Audio Player.

SPECIFICATIONS

Power Source	Built-in DC \approx 3.7V, 1000mAH (3.7WH) Li-polymer rechargeable battery. Recharge by DC \approx 5V through Micro USB Port
Maximum Play Time	Approximate 2 hours after fully charged
BT Effective Range	Up to 30 feet in open area
Audio Power	2 W x 2 (Total 4W, RMS)
Impedance of Speakers	4 ohm, 3W x 2

ACCESSORIES

- 1 x User's Manual
- 1 x USB Connection Cable (For charge only)
- 1 x Speakers Connection Cable

SPECIFICATIONS AND ACCESSORIES ARE SUBJECT TO CHANGE WITHOUT NOTICE

LIMITED WARRANTY

Craig warrants this product to be free from manufacturing defects in material and workmanship under normal use for a period of 90 days from date of purchase. If service is required, please return the product to the store where it was purchased for exchange; or, pack the unit in the original packing material with all accessories if applicable, a copy of your sales receipt and a Cashier's check or Money Order for \$10.00 (to cover shipping and handling costs) payable to Craig Electronics Inc. For consumers in Canada, please make sure that the cashier check or money order is redeemable through a U.S. bank. Ship your product freight pre-paid. Your unit will be repaired, replaced or if the unit can not be repaired or replaced, a refund will be forwarded to you within four weeks of receipt of your unit. Please ship your unit to:

Craig Electronics Inc.
1160 NW 163 Drive
Miami, FL 33169

This warranty is void if the product has been: a) Used in a commercial application or rental. b) Damaged through misuse, negligence, or abuse. c) Modified or repaired by anyone other than an authorized Craig service center. d) Damaged because it is improperly connected to any other equipment.

Note: This warranty does not cover: a) Ordinary adjustments as outlined in the Owner's Manual which can be performed by the customer. b) Damage to equipment not properly connected to the product. c) Any cost incurred in shipping the product for repair. d) Damage to the product not used in the USA.

This warranty is not transferable and only applies to the original purchase. Any implied warranties, including the warranty of merchantability, are limited in duration to the period of this expressed warranty and no warranty whether expressed or implied shall apply to the product thereafter.

Under no circumstance shall Craig be liable for any loss or consequential damage arising out of the use of this product. This warranty gives specific legal rights. However, you may have other rights which may vary from state to state. Some states do not allow limitations on implied warranties or exclusion of consequential damage. Therefore, these restrictions may not apply to you.

To Obtain Service on your Product
email: service@craigelectronics.com