

CRAIG®

4-IN-1 RETRO TURNTABLE SYSTEM WITH BLUETOOTH WIRELESS TECHNOLOGY

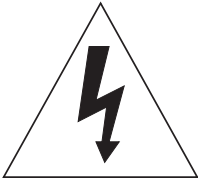
Owner's Manual

PLEASE READ BEFORE OPERATING THIS EQUIPMENT.

MODEL:CD695

Size: 148.5(W) x 210(H)mm (A5)

IMPORTANT SAFETY INSTRUCTIONS



CAUTION

**RISK OF ELECTRIC SHOCK
DO NOT OPEN**



CAUTION: TO REDUCE THE RISK OF ELECTRIC SHOCK, DO NOT REMOVE COVER (OR BACK). NO USER-SERVICEABLE PARTS INSIDE. REFER SERVICING TO QUALIFIED SERVICE PERSONNEL.



The lightning flash with arrowhead symbol within an equilateral triangle is intended to alert the user to the presence of uninsulated dangerous voltage within the product's enclosure that may be of sufficient magnitude to constitute a risk of electric shock to persons.



The exclamation point within an equilateral triangle is intended to alert the user to the presence of important operating and maintenance (servicing) instructions in the literature accompanying the appliance.

WARNING:

TO REDUCE THE RISK OF FIRE OR ELECTRIC SHOCK, DO NOT EXPOSE THIS PRODUCT TO RAIN OR MOISTURE.

WARNING:

TO REDUCE THE RISK OF FIRE OR ELECTRIC SHOCK, AND ANNOYING INTERFERENCE, USE THE RECOMMENDED ACCESSORIES ONLY.

CALIFORNIA PROP 65 WARNING:

This product contains chemicals known to the State of California to cause birth defects or other reproductive harm.

For more information on these regulations and a list of chemicals, log on the following website: <http://www.oehha.ca.gov/prop65.html>

FCC NOTICE:

This equipment has been tested and found to comply with the limits for a Class B digital device, pursuant to part 15 of the FCC Rules. These limits are designed to provide reasonable protection against harmful interference in a residential installation. This equipment generates, uses and can radiate radio frequency energy and, if not installed and used in accordance with the instructions, may cause harmful interference to radio communications.

However, there is no guarantee that interference will not occur in a particular installation. If this equipment does cause harmful interference to radio or television reception, which can be determined by turning the equipment off and on, the user is encouraged to try to correct the interference by one or more of the following measures:

- Reorient or relocate the receiving antenna.
- Increase the separation between the equipment and receiver.
- Connect the equipment into an outlet on a circuit different from that to which the receiver is connected.
- Consult the dealer or an experienced radio/TV technician for help.

FCC WARNING:

To assure continued compliance, follow the attached installation instructions and use only shielded cables when connecting to other devices. Modifications not authorized by the manufacturer may void user's authority to operate this device.

EXERCISE CAUTION AS UNIT HAS SHARP POINTS.

IMPORTANT SAFETY INSTRUCTIONS

Before using the unit, be sure to read all operating instructions carefully. Please note that these are general precautions and may not pertain to your unit.

For example, this unit may not have the capability to be connected to an outdoor antenna.

1) Read these instructions.

All the safety and operating instructions should be read before the product is operated.

2) Keep these instructions.

The safety and operating instructions should be retained for future reference.

3) Heed all warnings.

All warnings on the product and in the operating instructions should be adhered to.

4) Follow all instructions.

All operating and use instructions should be followed.

5) Do not use this apparatus near water.

Do not use this product near water and moisture, for example: near a bathtub, washbowl, kitchen sink or laundry tub; in a wet basement; or near a swimming pool.

6) Clean only with dry cloth.

Unplug this product from the wall outlet before cleaning. Do not use liquid cleaners or aerosol cleaners. Use a dry cloth for cleaning.

7) Do not block any ventilation openings. Install in accordance with the manufacturer's instructions.

Slots and openings in the cabinet and in the back or bottom are provided for ventilation, to ensure reliable operation of the product and to protect it from overheating. These openings must not be blocked or covered. The openings should never be blocked by placing the product on a bed, sofa, rug or other similar surface. This product should never be placed near or over a radiator or heat source. This product should not be placed in a built-in installation such as a bookcase or rack unless proper ventilation is provided or the manufacturer's instructions have been adhered to.

8) Do not install near any heat sources such as radiators, heat registers, stoves, or other apparatus (including amplifiers) that produce heat.

9) Do not defeat the safety purpose of the polarized or grounding-type plug. A polarized plug has two blades with one wider than the other. A grounding type plug has two blades and a third grounding prong. The wide blade or the third prong are provided for your safety. If the provided plug does not fit into your outlet, consult an electrician for replacement of the obsolete outlet.

10) Protect the power cord from being walked on or pinched particularly at plugs, convenience receptacles, and the point where they exit from the apparatus.

11) Only use attachments/accessories specified by the manufacturer.

12) Use only with the cart, stand, tripod, bracket, or table specified by the manufacturer, or sold with the apparatus. When a cart is used, use caution when moving the cart/apparatus combination to avoid injury from tip-over.



An appliance and cart combination should be moved with care.

Quick stop, excessive force and uneven surfaces may cause the appliance and cart combination to overturn.

13) Unplug this apparatus during lightning storms or when unused for long periods of time.

To protect your product from a lightning storm, or when it is left unattended and unused for long periods of time, unplug it from the wall outlet and disconnect the antenna or cable system. This will prevent damage to the product due to lightning and power-line surges.

14) Refer all servicing to qualified service personnel. Servicing is required when the apparatus has been damaged in any way, such as power-supply cord or plug is damaged, liquid has been spilled or objects have fallen into the apparatus, the apparatus has been exposed to rain or moisture does not operate normally, or has been dropped.

15) Power source

This product should be operated only from the type of power source indicated on the marking label. If you are not sure of the type of power supply to your home, consult your appliance dealer or local power company. For products intended to operate from battery power, or other source, refer to the operation instructions.

16) Power lines

An outside antenna system should not be located in the vicinity of overhead power lines or other electric light or power circuits, or where it can fall into such power lines or circuits. When installing an outside antenna system, extreme care should be taken to keep from touching such power lines or circuits as contact with them might be fatal.

IMPORTANT SAFETY INSTRUCTIONS

17) Overloading

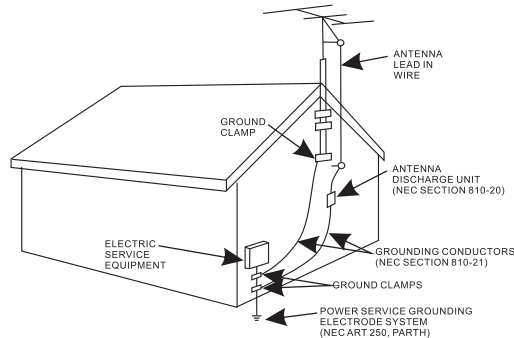
Do not overload wall outlets and extension cords as this can result in a risk of fire or electric shock.

18) Object and liquid entry

Never push objects of any kind into the product through openings as they may touch dangerous voltage points or short out parts that could result in fire or electric shock. Never spill or spray any type of liquid on the product.

19) Outdoor antenna grounding

If an outside antenna is connected to the product, be sure the antenna system is grounded so as to provide some protection against voltage surges and built up static charges. Section 810 of the National Electric Code ANSI/NFPA 70 provides information with respect to proper grounding of the mast and supporting structure, grounding of the lead-in wire to an antenna discharge product, size of grounding conductors, location of antenna-discharge product, connection to grounding electrodes and requirements for the grounding electrodes.



20) Service

Do not attempt to service this product yourself as opening or removing covers may expose you to dangerous voltage or other hazards. Refer all servicing to qualified service personnel.

21) Replacement parts

When replacement parts are required, be sure the service technician uses replacement parts specified by the manufacturer or those that have the same characteristics as the original parts. Unauthorized substitutions may result in fire or electric shock or other hazards.

22) Safety check

Upon completion of any service or repairs to this product, ask the service technician to perform safety checks to determine that the product is in proper operating condition.

23) Damage requiring service

Unplug this product from the wall outlet and refer service to qualified service personnel under the following conditions.

- When the power-supply cord or plug is damaged.
- If liquid has been spilled or objects have fallen into the product.
- If the product has been exposed to rain or water.
- If the product does not operate normally by following the operating instructions. Adjust only those controls that are covered by the operating instructions, as an adjustment of other controls may result in damage and will require extensive work by a qualified technician to restore the product to its normal operation.
- If the product has been dropped or the cabinet has been damaged.
- When the product exhibits a distinct change in performance—this indicates a need for service.

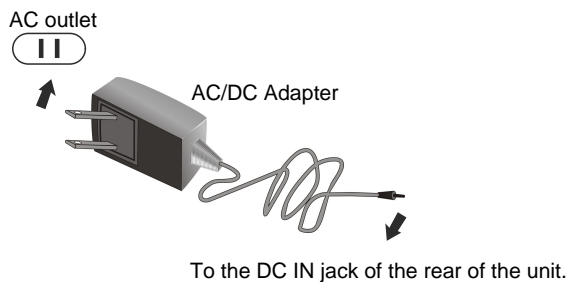
24) Note to CATV system installer

This reminder is provided to call the CATV system installer's attention to Article 820-40 of the NEC that provides guidelines for proper grounding and, in particular, specifies that the cable ground shall be connected to the grounding system of the building, as close to the point of cable entry as practical.

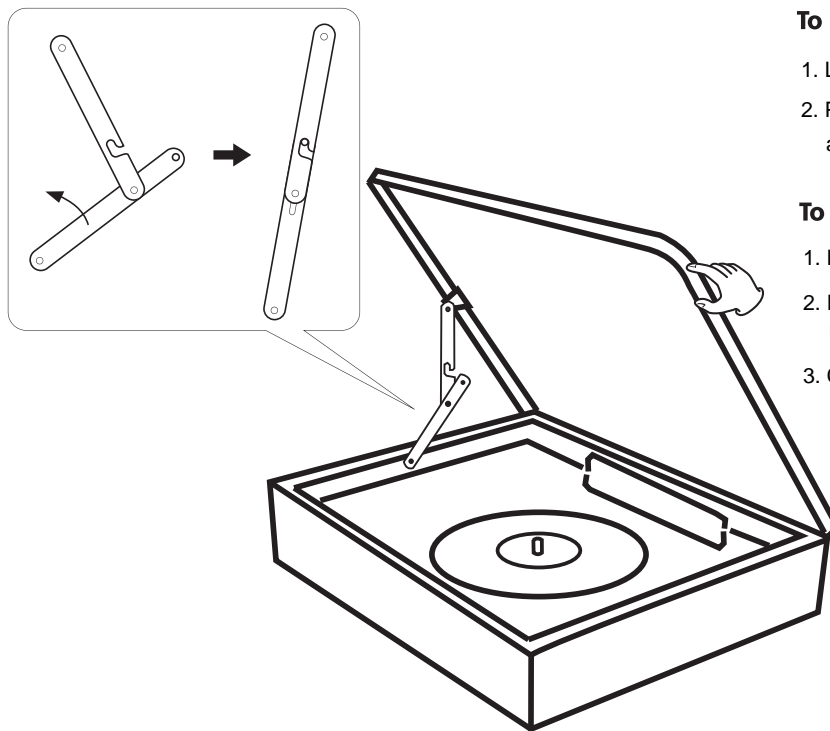
NOTE: Refer all servicing to qualified service personnel. Servicing is required when the unit has been damaged in any way such as the following: the power-supply cord or plug has been damaged, liquid has been spilled into unit, the unit has been exposed to rain or moisture, the unit has been dropped or the unit does not operate normally.

Power Source

Insert the AC/DC Adapter power plug into a conveniently located AC outlet having AC 120-240V~,50/60Hz.

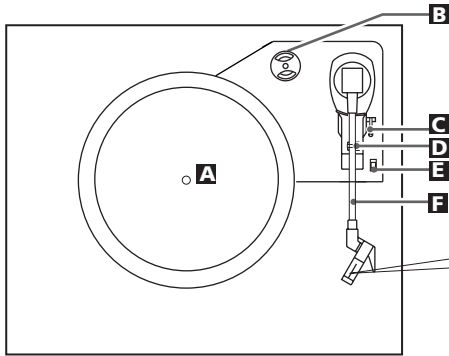


Open/close the turntable cover

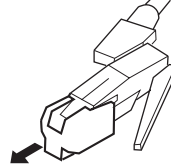


Location of Controls

Turntable

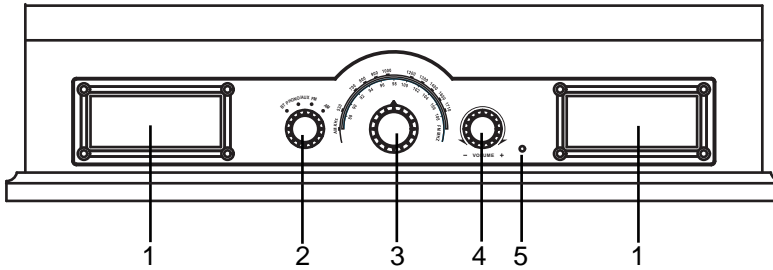


Before use, take out the stylus guard (white plastic cover) by pull it out.



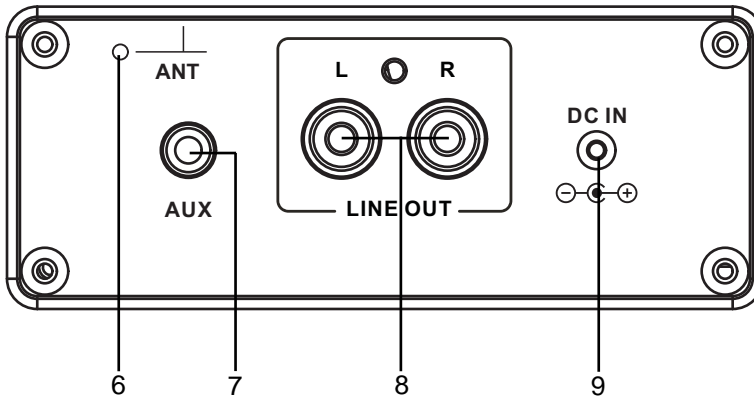
- A** turntable
- B** 45 RPM adapter
- C** cue-lever
- D** tone arm holder
- E** speed selector
- F** tone arm

Front View



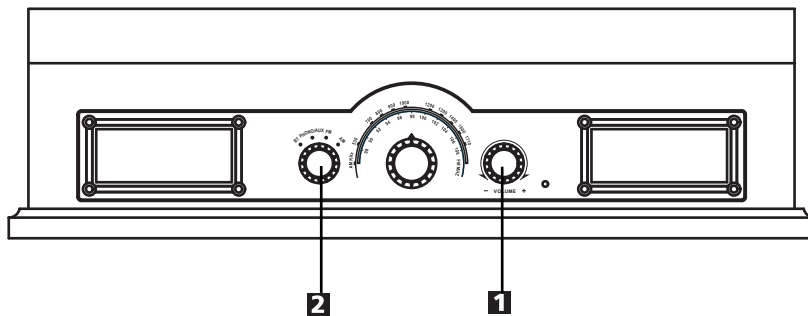
- 1. Speaker
- 2. Function Knob
- 3. Tuning knob
- 4. Volume Knob
- 5. Indicator

Rear View

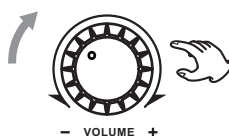


- 6. Antenna
- 7. AUX Jack
- 8. LINE OUT Jack
- 9. DC IN Jack

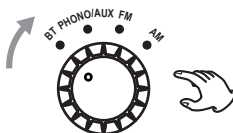
Listening through Bluetooth



1. Turn the VOLUME Knob clockwise until a sound "click" is heard to turn on the unit, the indicator will light up.



2. Turn the function selector to the "BT" position, the indicator will light up Blue and blink fastly, now it is ready for pairing.

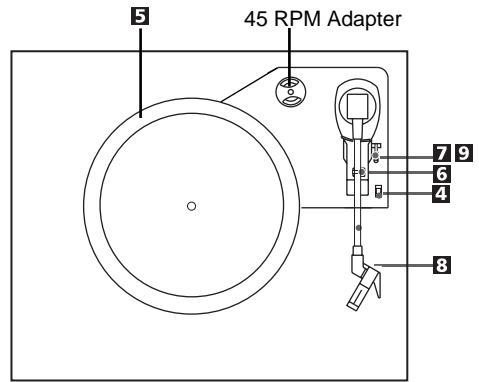
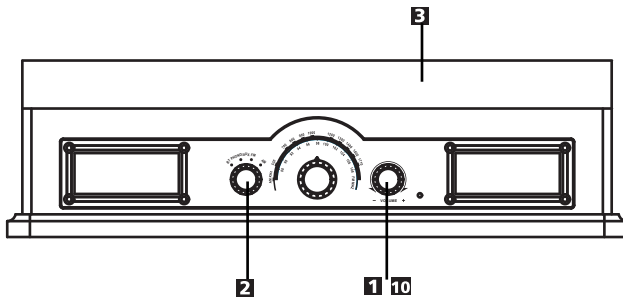


3. Activate the Bluetooth function in your player(e.g. Mobile phone) and try to sear and pair.
4. The pairing name " **CD695** " will appear on pairing list and choose it to make pairing.
5. It will send a sound after successful pairing and connection, the indicator will stay lit.
6. During playing, the indicator will blink slowly, adjust volume level by volume knob.

NOTE:

After first time pairing and connection, the unit can be paired and connected with the device connected before.

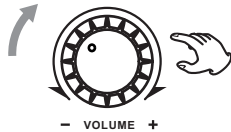
Listening to a Record



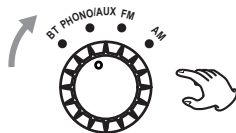
NOTE:

- Before use, take out the stylus guard(white plastic cover).
- Before use, make sure there is no 3.5mm audio cable plugged in the AUX jack on rear of the unit.

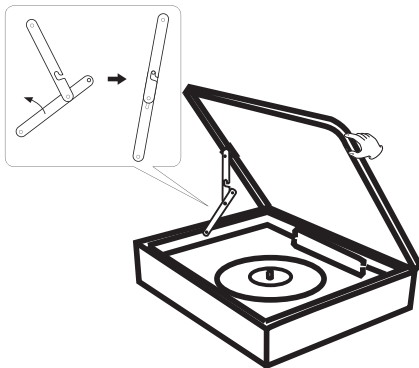
1. Turn the VOLUME Knob clockwise until a sound "click" is heard to turn on the unit, the indicator will light up.



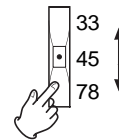
2. Turn the function selector to the "PHONO/AUX" position.



3. Open the cover.

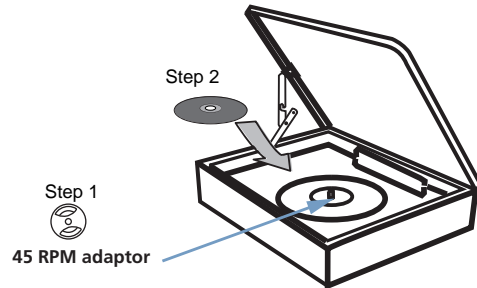


4. Select the speed.

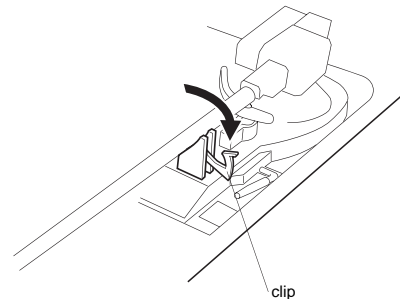


5. Put the record on the turntable.

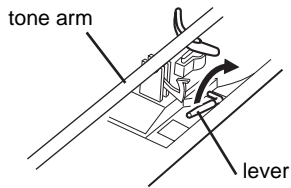
If playing the small size 45 rpm record, insert the supplied adaptor to the center spindle before placing the record.



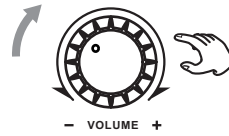
6. Unlock the clip to release the tone arm as the figure below.



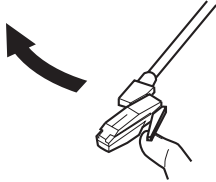
7. Raise the level to lift the tone arm as the figure below.



10. Turn the volume knob to adjust the volume level.

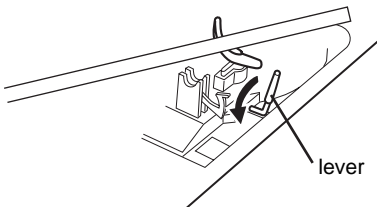


8. Move the tone arm to the top of the record.
The turntable will start to run.



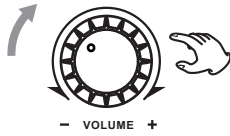
11. When finished listening, replace the tone arm to the rest and lock it as previous procedure.
Turn the VOLUME Knob counterclockwise until a "click" sound is heard to power off the unit.

9. Place the tone arm to the desired point on the record by turning the lever as the figure below.

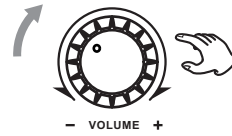


Listening to the Radio

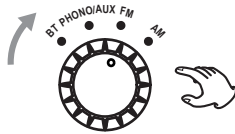
1. Turn the VOLUME Knob clockwise until a sound "click" is heard to turn on the unit, the indicator will light up.



4. Turn the VOLUME Knob to adjust the volume level.

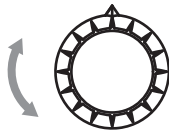


2. Turn the function selector to the "FM" or "AM" position.



5. When finished listening, turn the VOLUME Knob counterclockwise until a sound "click" is heard to power off the unit.

3. Turn the tuning knob to receive the desired radio station.



Antenna:

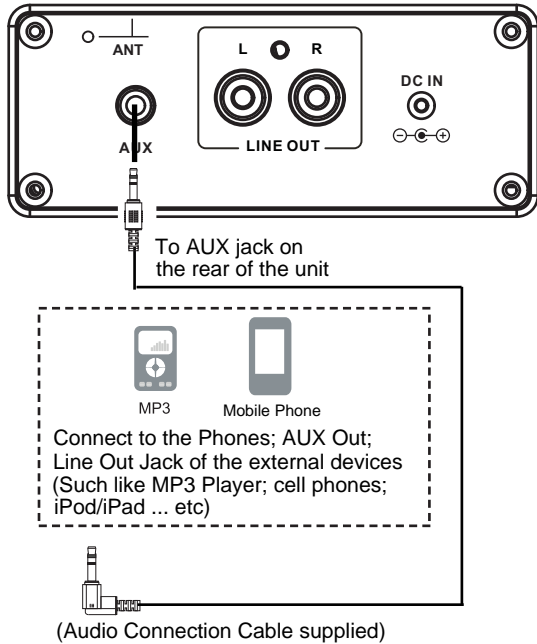
AM - This unit has a built-in ferrite rod antenna, which provides adequate reception in most areas. If reception is weak, turn the unit to improve reception.

FM - The FM Antenna wire is for FM reception. If reception is weak, unwind and extend the wire or relocate the wire to improve the radio reception.

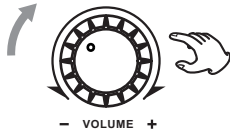
Other Connections

AUX IN:

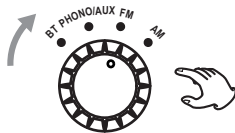
1. Connected the external audio device to the unit by an audio connection cable with 3.5mm stereo mini jacks as:
 - ~ Insert one end to the Phone; Line Out or AUX Out Jack on the external audio device.
 - ~ Insert the other end to the AUX jack on the rear of unit.



2. Turn the VOLUME Knob clockwise until a sound "click" is heard to turn on the unit, the indicator will light up.



3. Turn the function selector to the "PHONO/AUX" position.



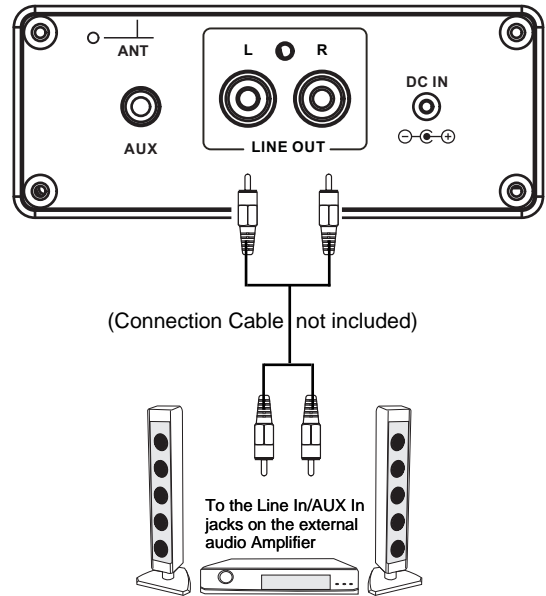
4. Plays the music on the connected external audio device as usual.
5. When finished listening, turn the VOLUME knob counterclockwise until a "click" sound was heard to power off the unit.

Notes:

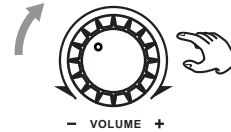
- Make sure the sound output level of the connected device is in high level. Otherwise, sound will weak.
- If sound is distortion, reduce the sound output level of the external audio device.

LINE OUT:

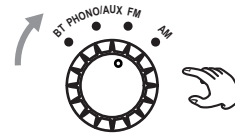
1. Connected the external audio device to the unit by a cable with RCA plugs (cable not included) as:
 - ~ Insert one end to the Line IN or AUX IN jacks on the external audio Amplifier.
 - ~ Insert the other end to the LINE OUT jacks on the rear of unit.



2. Turn the VOLUME Knob clockwise until a sound "click" is heard to turn on the unit, the indicator will light up.



3. Turn the function selector to the "PHONO/AUX" position.



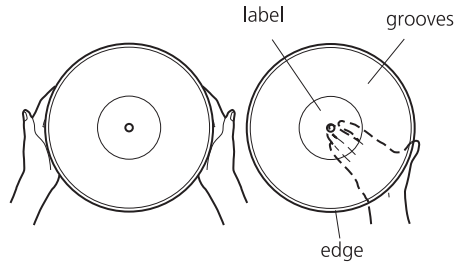
4. Plays the music/radio as previous procedures. Sound will be heard from the external audio Amplifier system. Adjust the volume level by the volume control on the Amplifier.

(If do not want to hear the sound from this unit at the same time, turn the VOLUME knob to minimum position).

5. When finished listening, turn the VOLUME knob counterclockwise until a "click" sound was heard to power off the unit.

Records Handling

- Do not touch the record's grooves. Only handle records, by the edges or the label. Make sure your hands are clean. Skin oils from even clean hands can leave a residue on the record surface that will gradually deteriorate the quality of your record.



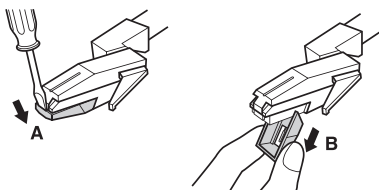
- Keep your records away from dust. Keep them in a cool, dry place.
- To avoid dust and scratches, keep records in their sleeves and jackets when not in use.
- Store records upright on their edges. Records stored horizontally will eventually bend and warp.
- Do not expose records to direct sunlight or high humidity and temperature. Long exposure to high temperatures will warp the record.
- Do not store your records in the trunk of your car. The temperature in a closed trunk can ruin your collection.
- Store records in an area with a stable temperature and low humidity.
- Should the record become dirty, gently wipe the surface in a circular motion, using a soft anti-static cloth.



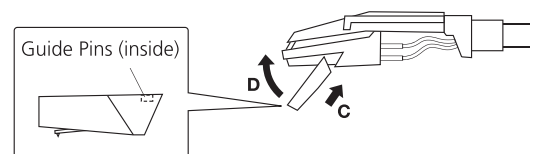
How to replace the stylus

Replace the stylus

1. Use a screwdriver to push the stylus off then pull it out as the figures below:



2. Install the new stylus as figures below:



Troubleshooting

If you experience any problems with the unit, please take a moment to look through this chart and see if you can solve the problem yourself before you call your dealer.

No power:

- Check the connection of AC wall outlet.

No sound:

- Raising the volume level by turn the VOLUME knob clockwise.

Noisy sound:

- The unit is too close to a TV set or similar appliances. Relocate the unit.

Radio:

Can not listen to any station, or signal is too weak.

- Tune the station properly.
- The function selector is in wrong position, turn it to AM or FM position.
- Relocate the unit.

Turntable:

Not playing or sound distortion

- The Function selector is in wrong position, turn it to PHONO/AUX position.
- Loosen the screw, and take out the stylus guard. (The stylus guard is a white plastic cover that protects the stylus during transportation.)
- Select the correct playback speed.

Bluetooth:

Bluetooth reception failure

- The external device is too far from the unit.
- Have not paired.(Pair the unit as the procedure stated in manual).

Maintenance:

Always keep the turntable clean. If the surface of the unit gets dirty, wipe with a soft cloth or use a diluted mild liquid soap. Be sure to remove any excess liquid completely. Do not use thinner, benzine or alcohol as they may damage the surface of the unit. Allow the surface of the unit to dry completely before using.

FCC Caution.

This device complies with part 15 of the FCC Rules. Operation is subject to the following two conditions: (1) This device may not cause harmful interference, and (2) this device must accept any interference received, including interference that may cause undesired operation.

Any Changes or modifications not expressly approved by the party responsible for compliance could void the user's authority to operate the equipment.

This equipment complies with FCC radiation exposure limits set forth for an uncontrolled environment. This equipment should be installed and operated with minimum distance 20cm between the radiator & your body.

Specifications

General:

Power requirements.....AC 120-240V~,50/60Hz
Power Consumption.....13W

Audio:

Impedance of speakers.....2 X 3W; 4Ohm

Radio:

Frequency range (FM).....88MHz~108MHz
Frequency range (AM).....530 kHz to 1710 kHz

Turntable:

Motor..... DC servo motor
Drive System..... Belt Drive
Speed..... 33-1/3 rpm, 45 rpm, 78 rpm
Stylus.....CSC-015

- Design and specifications are subject to change without notice.

Accessories:

1 x User's manual
2 x Stylus (one for installation, one for spare)
1 x 45rpm Adaptor
1 x 3.5 mm stereo connection cable