

CRAIG®

TOWER STEREO SYSTEM

Owner's Manual

PLEASE READ BEFORE OPERATING THIS EQUIPMENT.

Model: CHT914n

IMPORTANT SAFETY INSTRUCTIONS



CAUTION
RISK OF ELECTRIC SHOCK
DO NOT OPEN



CAUTION: TO REDUCE THE RISK OF ELECTRIC SHOCK, DO NOT REMOVE COVER (OR BACK). NO USER-SERVICEABLE PARTS INSIDE. REFER SERVICING TO QUALIFIED SERVICE PERSONNEL.



The lightning flash with arrowhead symbol, within an equilateral triangle, is intended to alert user to the presence of uninsulated "dangerous voltage" within the product's enclosure, that may be of sufficient magnitude to constitute a risk of electric.



The exclamation point within an equilateral triangle is intended to alert the user to the presence of important operating and maintenance (servicing) instruction in the literature accompanying the appliance.

WARNING

USE UNDER SUPERVISION OF AN ADULT DUE TO LONG CORD

This unit has a long AC cord or other long cord that can easily be tripped on or pulled on, causing injury. Please make sure it is arranged so it will not drape over a tabletop, etc. Where it can be pulled on by children or tripped over accidentally.

FCC NOTICE:

This equipment has been tested and found to comply with the limits for a Class B digital device, pursuant to part 15 of the FCC Rules. These limits are designed to provide residential protection against harmful interference in a residential installation. This equipment generates, uses and can radiate radio frequency energy and, if not installed and used in accordance with the instructions, may cause harmful interference to radio communications.

However, there is no guarantee that interference will not occur in a particular installation. If this equipment does cause harmful interference to radio or television reception, which can be determined by turning the equipment off and on, the user is encouraged to try to correct the interference by one or more of the following measures:

- Reorient or relocate the receiving antenna.
- Increase the separation between the equipment and receiver.
- Connect the equipment into an outlet on a circuit different from that to which the receiver is connected.
- Consult the dealer or an experienced radio/TV technician for help.

FCC NOTICE:

To assure continued compliance, follow the attached installation instructions and use only shielded cables when connecting to other devices. Modifications not authorized by the manufacturer may void user's authority to operate this device.

Before using the unit, be sure to read all operating instructions carefully. Please note that these are general precautions and may not pertain to your unit. For example, this unit may not have the capability to be connected to an outdoor antenna.

1. Read these instructions

All the safety and operating instructions should be read before the product is operated.

2. Keep these instructions

The safety and operating instructions should be retained for future reference.

3. Heed all warning

All warnings on the product and in the operating instructions should be adhered to.

4. Follow all instructions

All operating and use instructions should be followed.

5. Do not use this apparatus near water

Do not use the product near water and moisture, for example: near a bathtub, washbowl, kitchen sink or laundry tub; in a wet basement; or near a swimming pool.

6. Clean only with dry cloth

Unplug this product from the wall outlet before cleaning. Do not use liquid cleaners or aerosol cleaners. Use a dry cloth for cleaning.

7. Do not block any ventilation openings. Install in accordance with the manufacturer's instructions.

Slots and openings in the cabinet and in the back or bottom are provided for ventilation, to ensure reliable operation of the product and to protect it from overheating. These openings must not be blocked or covered. The openings should never be blocked by placing the product on a bed, sofa, rug or other similar surface. This product should never be placed near or over a radiator or heat source. This product should not be placed in a built-in installation such as a bookcase or rack unless proper ventilation is provided or the manufacturer's instructions have been adhered to.

8. Do not install near any heat sources such as radiators, heat registers, stoves, or other apparatus (including amplifiers) that produce heat.

9. Do not defeat the safety purpose of the polarized or grounding-type plug. A polarized plug has two blades with one wider than the other. A grounding type plug has two blades and a third grounding prong. The wide blade or the third prong are provided for your safety. If the provided plug does not fit into your outlet, consult an electrician for replacement of the obsolete outlet.

10. Protect the power cord from being walked on or pinched particularly at plugs, convenience receptacles, and the point where they exit from the apparatus.

11. Only use attachments/accessories specified by the manufacturer.

12. Use only with the cart, stand, tripod, bracket, or table specified by the manufacturer, or sold with the apparatus. When a cart is used, use caution when moving the cart/apparatus combination to avoid injury from tip-over.



Portable Cart Warning

13. Unplug this apparatus during lightning storms or when unused for long periods of time.
14. Refer all servicing to qualified service personnel. Servicing is required when the apparatus has been damaged in any way, such as power-supply cord or plug is damaged, liquid has been spilled or objects have fallen into the apparatus, the apparatus has been exposed to rain or moisture does not operate normally, or has been dropped.

15. Power Source

The product should be operated only from the type of power source indicated on the marking label. If you are not sure of the type of power supply to your home, consult your appliance dealer or local power company. For products intended to operate from battery power, or other sources, refer to the operating instructions.

16. Power lines

An outside antenna system should not be located in the vicinity of overhead power lines or other electric light or power circuits, or where it can fall into such power lines or circuits. When installing an outside antenna system, extreme care should be taken to keep from touching such power lines or circuits as contact with them might be fatal.

17. Overloading

Do not overload wall outlets and extension cords as this can result in a risk of fire or electric shock.

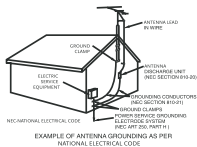
18. Object and liquid entry

Never push objects of any kind into the product through as they may touch dangerous voltage points or short out parts that could result in fire or electric shock. Never spill or spray any type of liquid on the product.

19. Outdoor antenna grounding

If an outside antenna is connected to the product, be sure the antenna system is grounded so as to provide some protection against voltage surges and built up static charges.

Section 810 of the National Electrical Code, ANSI/NFPA 70, provides information with respect to proper grounding of the mast and supporting structure, grounding of the lead-in wire to an antenna discharge product, size of grounding conductors, location of antenna discharge product, connection to grounding electrodes and requirements for the grounding electrodes.



20. Service

Do not attempt to service this product yourself as opening or removing covers may expose you to dangerous voltage or other hazards. Refer all servicing to qualified service personnel.

21. Replacement parts

When replacement parts are required, be sure the service technician uses replacement parts specified by the manufacturer or those that have the same characteristics as the original part. Unauthorized substitutions may result in fire or electric shock or other hazards.

22. Safety check

Upon completion of any service or repairs to this product ask the service technician to perform safety checks to determine that the product is in proper operating condition.

23. Wall or ceiling mounting

The product should be mounted to a wall or ceiling only as recommended by the manufacturer.

24. Damage requiring service

Unplug the product from the wall outlet and refer servicing to qualified service personnel under the following conditions:

- When the power-supply cord or plug is damaged.
- If liquid has been spilled or objects have fallen into the product.
- If the product has been exposed to rain or water.
- If the product does not operate normally by following the operating instructions. Adjust only those controls that are covered by the operating instructions, as an adjustment of other controls may result in damage and will require extensive work by a qualified technician to restore the product to its normal operation.
- If the product has been dropped or the cabinet has been damaged.
- When the product exhibits a distinct change in performance – this indicates a need for service.

25. Note to CATV system installer

This reminder is provided to call the CATV system installer's attention to Article 820-40 of the NEC that provides guidelines for proper grounding and, in particular, specifies that the cable ground shall be connected to the grounding system of the building, as close to the point of cable entry as practical.

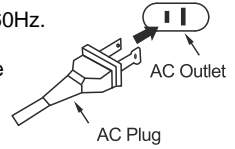
Note:

Refer all servicing to qualified service personnel. Servicing is required when the unit has been damaged any way such as the following: the power-supply cord or plug has been damaged, liquid has been spilled into the unit, the unit has been exposed to rain or moisture, the unit has been dropped or the unit does not operate normally.

POWER SOURCE

Insert the AC plug into a conveniently located AC outlet having AC 120V~60Hz.

NOTE: The AC plug supplied with the unit is polarized to help minimize the possibility of electric shock. If the AC plug does not fit into a non polarized AC outlet, do not file or cut the wide blade. It is the user's responsibility to have an electrician replacing the obsolete outlet.



INSTALLATION

MAIN UNIT-- RIGHT CHANNEL SPEAKER

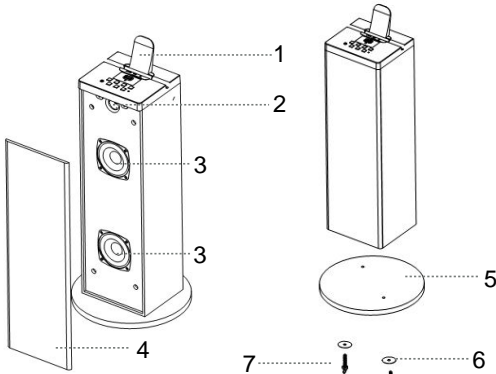


Figure 1

Figure 2

LEFT CHANNEL SPEAKER

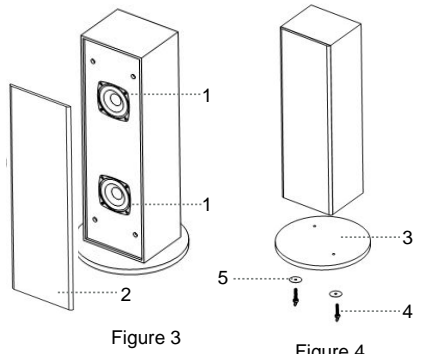


Figure 3

Figure 4

1. Plastic Holder
2. Remote Sensor
3. Speakers
4. Speaker Net
5. Wooden Base
6. Washers
7. Screws

1. Speakers
2. Speaker Net
3. Wooden Base
4. Screws
5. Washers

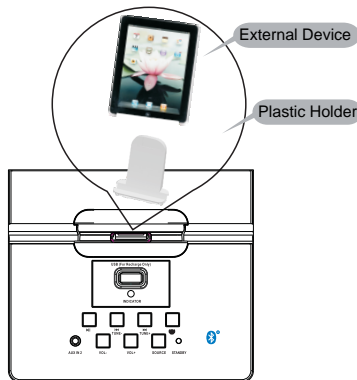


Figure 5

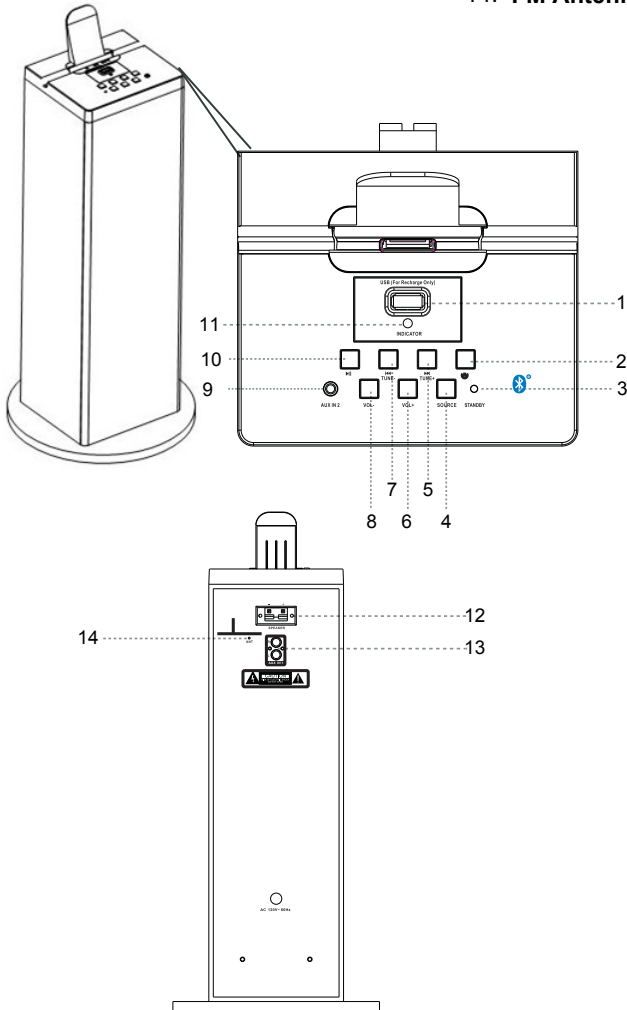
Note:

1. Assemble the wooden base to the main body with the supplied screws and washers as Fig. 2 & 4 above.
2. The speaker net can be taken out and reassembled as Fig. 1 & 3 above.
3. Install the Plastic Holder on the top of unit to hold the external device as Fig. 5 above.

LOCATION OF CONTROLS

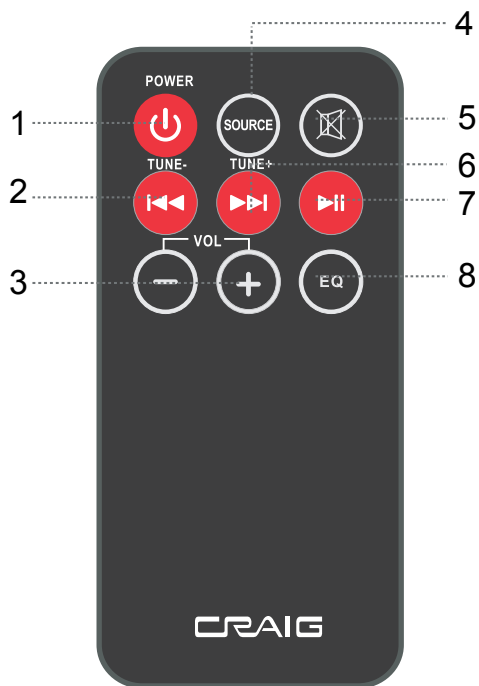
MAIN UNIT

1. USB Port (For recharge only)
2. ⏻ (Power) button
3. STANDBY indicator
4. SOURCE button
5. ⏪ / TUNE + button
6. VOL+ (Volume Up) button
7. ⏩ / TUNE - button
8. VOL- (Volume Down) button
9. AUX IN 2 jack
10. ▶|| (Play/Pause) button
11. SOURCE indicator
12. Speaker Connector (For Left Channel Speaker)
13. AUX IN 1 jacks
14. FM Antenna



LOCATION OF CONTROLS

REMOTE CONTROL



1. POWER button
2. /TUNE - button
3. VOL (Volume)+/- buttons
4. SOURCE button

5. (Mute) button
6. / TUNE+ button
7. (Play/Pause) button
8. EQ (Equalizer) button

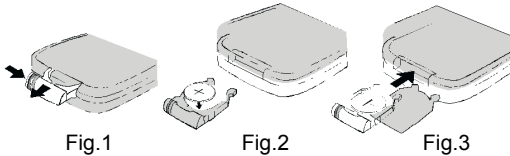
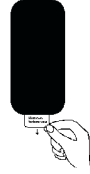
BATTERY INSTALLATION--- REMOTE CONTROL

-First Time Use

Remove and discard the insulation tab as figure on the right

-Replacing Batteries For Remote Control

1. Push and slide out the battery holder as figure 1 below.
2. Replace the battery with a new CR2025 button cell as the polarity markings on the rear of the Remote Control.
3. Close the battery holder.



BATTERY PRECAUTIONS

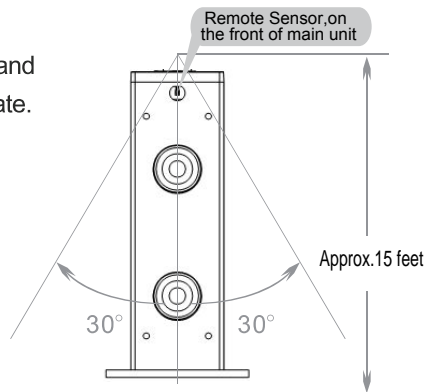
Follow these precautions when using a battery in this device:

1. Use only the size and type of battery specified.
2. Be sure to follow the correct polarity when installing the battery as indicated in the battery compartment. A reversed battery may cause damage to the device.
3. Do not mix different types of batteries together (e.g. Alkaline and Carbon-zinc) or old batteries with fresh ones.
4. If the batteries in the device are consumed or the device is not to be used for a long period of time, remove the batteries to prevent damage or injury from possible battery leakage.
5. Do not try to recharge the battery not intended to be recharged; it can overheat and rupture. (Follow battery manufacturer's instructions.)
6. The batteries shall not be exposed to excessive heat such as sunshine, fire or the like.
7. Clean the battery contacts and also those of the device prior to battery installation.

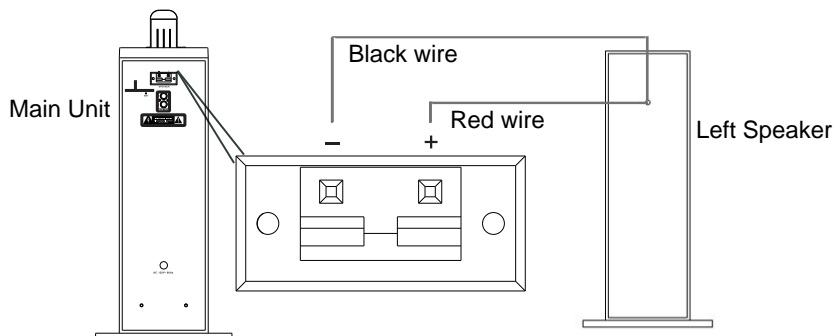
EFFECTIVE DISTANCE OF REMOTE TRANSMITTER

NOTES:

- When there is an obstacle between the unit and the transmitter, the transmitter may not operate.
- When direct sunlight, an incandescent lamp, fluorescent lamp or any other strong light shines on the REMOTE SENSOR of the unit, the remote operation may be unstable.






LEFT SPEAKER CONNECTION



Connect the connection wires (Red and Black) from Left Speaker to the Speaker Connectors on the rear of Main Unit as the figure above.

GENERAL OPERATIONS

1. Insert the AC Power Cord into conveniently located AC outlet having AC 120V~60Hz. The Red Standby Indicator will light.
2. Press  Power button on the Unit or Remote Control to power on the unit. The Red Standby Indicator will turn off and source Indicator will light.
3. Press the SOURCE button repeatedly to switch to desired mode. The source Indicator will turn to corresponding color as below:
 - ~ Green: Radio
 - ~ Blue: Bluetooth
 - ~ Purple: AUX IN 1
 - ~ Orange: AUX IN 2
4. During Playback:
 - ~ Press the VOL (Volume) buttons to adjust volume level as desired.
 - ~ Press EQ button repeatedly to select and set equalizer mode as desired.
 - ~ Press  (Mute) button on the Remote Control to turn off the sound. Press again to resume.
5. When finished listening, press  Power button to power off the unit. The source Indicator will turn off and Red Standby Indicator will light.

NOTE:

For saving energy, unplug the Power AC Cord from wall outlet if a long period of time will not use.

LISTEN TO FM RADIO

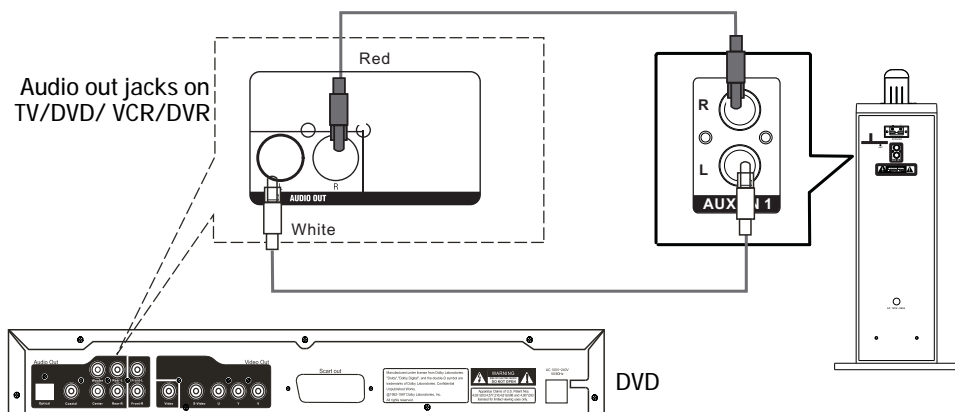
1. Power ON the unit as previous procedures.
2. Press the SOURCE button repeatedly until the color of source Indicator turns Green.
3. Press and hold the ◀◀/TUNE - or ▶▶/TUNE + buttons until the source Indicator start blinking.
The unit will start to search next (or previous) available FM radio station then plays.
4. Repeat the same procedures until the desired radio station is received.

NOTE: If the received FM station is in stereo mode, the unit will play it in stereo mode automatically.

FM Antenna

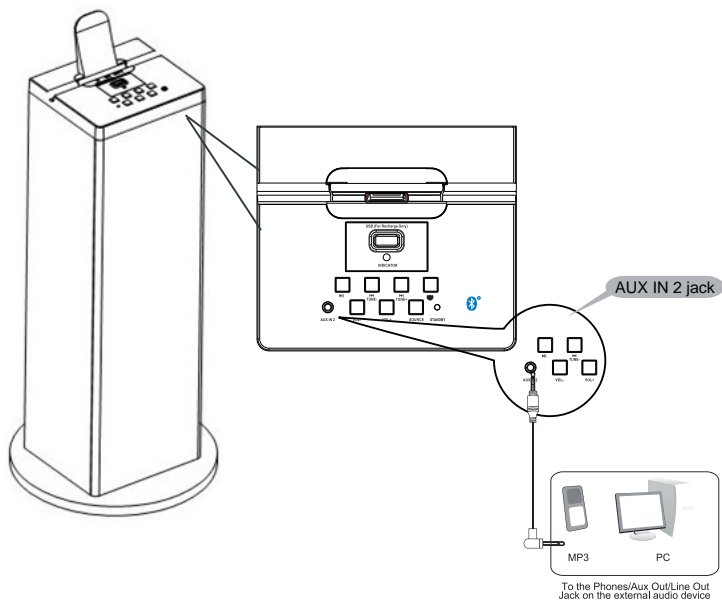
The Antenna wire on the rear of Main Unit is for radio reception. If reception is weak, unwind and extend the wire or relocate the wire to improve the radio reception.

LISTEN TO TV/DVD/VCR/DVR



1. Connect one end of RCA audio connection cable (not supplied) to the AUX IN 1 jacks on the rear of the unit as the figure above.
2. Connect the other end to the AUX out jacks on the external player (such as Television, VCR, DVD Player, DVR ... etc.).
3. Power on the unit as previous procedures.
4. Press SOURCE button repeatedly until the indicator turns Purple.
5. Play the music in the external player as usual. (Make sure the volume output level of the player is in high level. Otherwise, sound from this unit is weak).

LISTEN TO EXTERNAL AUDIO DEVICES



1. Connect one end of supplied audio connection cable to the AUX IN 2 jack on the top of the unit as the figure above.
2. Connect the other end to the AUX out/Line out/Phone jack on the external player (such like iPod, iPhone, iPad, MP3 Player, Discman... etc.).
3. Power on the unit as previous procedures.
4. Press the SOURCE button repeatedly until the color of source Indicator turns Orange.
5. Play the music in the external player as usual. (Make sure the volume output level of the player is in high level. Otherwise, sound from this unit is weak).

BLUETOOTH PARING AND PLAYBACK

1. Power on the unit as previous procedures.
2. Press the SOURCE button on the unit or remote control until the indicator turns blue.
3. Turn on the BT function on the external BT device and play the music as usual. (Make sure the volume level of the external BT device is set to high level).
4. During palyback:
 - Press the VOL (Volume) +/- buttons to adjust volume level.
 - Press the ◀◀/ TUNE- or ▶▶/ TUNE + button to skip track.
 - Press the ▶|| (Play/Pause) button to pause. Press again to to resume normal playback.

NOTES:

1. During the first time use, pair the external BT device as below:
 - A. Power on the unit as previous procedures and press the SOURCE button repeatedly until the indicator turns blue and blinking.
 - B. Power on the external BT device and enter searching mode. Start paring as the on screen instructions on the external BT player(For detailed paring procedures, please refer to the user's manual of your BT device.)
 - C. When the external BT player searched the Speaker, our model number"CHT914n" will appear on the display of the external BT device. Paring code"0000" may need to enter.

USB PORT

The USB port in this unit is for recharge only. Recharge the USB device as below:

1. Connect the small plug from the USB connection cable to the device as usual. (Connection cable not supplied).
2. Insert the full size USB Plug from the USB connection cable to the USB port on the top of unit.
3. Charging will start automatically.
4. When finished, disconnect the full size USB Plug from the unit.

NOTES:

- The maximum output from the USB port is DC = 5V, 2.1A. You can change any rechargeable USB devices charging current less than it, such like iPod, iPhone, IPad, MP3 Player ... etc.
- You can also charge the connected device when the unit is in Standby mode.

TROUBLESHOOTING GUIDE

Check the followings before requesting service		
SYMPTOM	POSSIBLE CAUSE	POSSIBLE SOULTION
No power	AC plug not connected to the wall outlet	Plug to the wall outlet.
No sound	Volume in minimum position	Raise volume level by pressing the VOL (Volume) + button
	The connected device is not in playback mode	Play the music/movie in the connected device as usual and make sure the volume level of it is in high level
	Input source incorrect	Press the SOURCE button repeatedly to set the input source to the desired mode
Sound distortion	Bass level of the connected device too high	Reduce the bass level of the connected device
	Volume level too high	Reduce the volume level by pressing the VOL (Volume) -button
Remote not working	The batteries are consumed	Replace with new battery
Bluetooth reception failure	The external device is far from the unit	Put the external BT device close to the unit
	Have not paired	Pair both unit as BT pairing page

GENERAL SPECIFICATIONS

Power Source.....	AC 120V~60Hz
Power Consumption.....	.45W
Radio Coverage.....	FM 87.5 -108.0 MHz
Impedance of Speakers :	
Loud Speakers	8 Ohm, 10W x 2
Tweeters.....	8 Ohm, 5W x 2
Bluetooth working distance.....	Up to 30 feet (Measured in open area. Wall and structures may affect the effective range.)
Remote working distance.....	Up to 15 feet
USB port outputDC =5V, Max. 2.1A

Accessories

- 1 x User Manual
- 1 x Remote Control, using CR 2025 button cell (Already installed in the remote control)
- 1 x Stereo Audio Connection Cable with 3.5mm stereo plug
- 4 x Assembly Screws / Washers
- 2 x Wooden Bases
- 1 x Plastic Holder

LIMITED WARRANTY

Craig warrants this product to be free from manufacturing defects in material and workmanship under normal use for a period of 90 days from date of purchase. If service is required, please return the product to the store where it was purchased for exchange; or, pack the unit in the original packing material with all accessories if applicable, a copy of your sales receipt and a Cashier's check or Money Order for \$20.00 (to cover shipping and handling costs) payable to Craig Electronics Inc. For consumers in Canada, please make sure that the cashier check or money order is redeemable through a U.S. bank. Ship your product freight pre-paid. Your unit will be repaired, replaced or if the unit can not be repaired or replaced, a refund will be forwarded to you within four weeks of receipt of your unit. Please ship your unit to:

Craig Electronics Inc.
1160 NW 163 Drive
Miami, FL 33169

This warranty is void if the product has been: a) Used in a commercial application or rental. b) Damaged through misuse, negligence, or abuse. c) Modified or repaired by anyone other than an authorized Craig service center. d) Damaged because it is improperly connected to any other equipment.

Note: This warranty does not cover: a) Ordinary adjustments as outlined in the Owner's Manual which can be performed by the customer. b) Damage to equipment not properly connected to the product. c) Any cost incurred in shipping the product for repair. d) Damage to the product not used in the USA.

This warranty is not transferable and only applies to the original purchase. Any implied warranties, including the warranty of merchantability, are limited in duration to the period of this expressed warranty and no warranty whether expressed or implied shall apply to the product thereafter.

Under no circumstance shall Craig be liable for any loss or consequential damage arising out of the use of this product. This warranty gives specific legal rights. However, you may have other rights which may vary from state to state. Some states do not allow limitations on implied warranties or exclusion of consequential damage. Therefore, these restrictions may not apply to you.

To Obtain Service on your Product
email: service@craigelectronics.com