



CH BLUETOOTH SOUNDBAR SPEAKER® SBB-61250

FCC ID: OKUSBB-61250



Instruction Manual

Please read carefully before use and keep for future reference.

Table of Contents

Thank You	3	Using Optical IN Mode.....	12
In the Box	3	Connection.....	12
Installing Your Sound Bar	4	Using AUX IN Mode	12
On a Table Top.....	4	AUX IN sources may include:	12
How to Mount the Sound Bar to a Wall	4	AUX IN connection	12–13
At a Glance	6	Warnings and Precautions.....	14
Front View	6	Troubleshooting Guide.....	17
Rear/Top View.....	7	Specifications.....	18
Remote Control.....	8	Support	18
Using the Remote Control.....	8		
Replacing the Battery	9		
Connecting Power.....	10		
Getting Started.....	10		
Turning the Unit On and Off	10		
Setting the Source Mode	10		
Adjusting the Volume.....	11		
Using Bluetooth® Mode	11		
Pairing a Bluetooth® Device.....	11		

Thank You

We know you have many choices when it comes to technology; thank you for choosing us here at Naxa Electronics. Established in 2001 in Los Angeles, CA, we are dedicated to delivering products that entertain and delight.

We trust that you will be happy with your purchase. Please read this manual carefully and save it for reference. You may also find the latest FAQ documentation, and other product material at our website. Come visit us on the web at www.naxa.com and see all that we have to offer!

In the Box

Please take a moment to make sure that you have everything in the list below. Although we make every effort to ensure that each Naxa device is securely packed and sealed, we know a lot can happen in between us and you. If anything is missing, check back with your local retailer to get immediate assistance. If they cannot help you, please contact our Naxa Support Team at www.naxa.com/supportcenter.

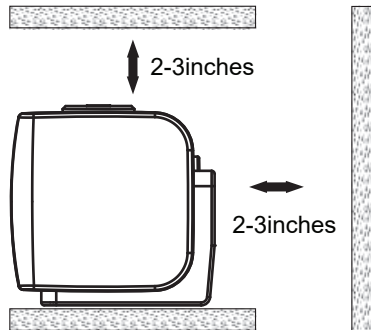
- SBB-61250
- AC/DC power adapter
- Remote Control with CR 2025 button cell
- AUX to RCA audio cable
- Instruction Manual

Installing Your Sound Bar

On a Table Top

Find a flat and level surface to place your sound bar. Most people position the sound bar centered below their TV.

When placing the Sound Bar on an entertainment center, bookshelf, or any type of enclosed space, be sure to allow at least 2–3 inches of space around the Sound Bar for ventilation. If the Sound Bar is enclosed in a tight space without adequate ventilation, heat generated by the Sound Bar could produce a potential heat hazard.



How to Mount the Sound Bar to a Wall

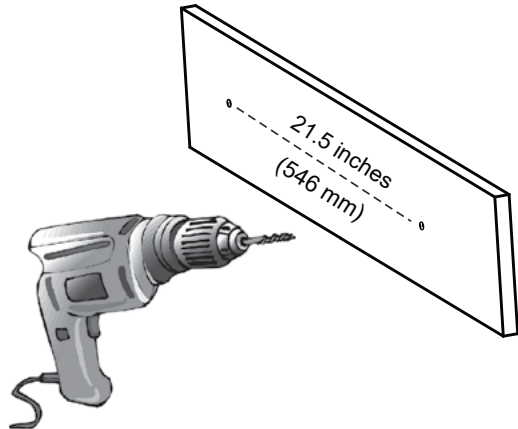
Each installation environment is unique and has its own requirements; you may need additional material to prepare the sound bar for mounting.

You will need the following:
(the following accessories are not included)

- Wall mounting kit (2 screws, 2 drywall plugs)
- Pencil
- Level
- Ruler
- Drill (for drywall installations only)
- Hammer (for drywall installations only)
- Cross-head screwdriver

Naxa Electronics recommends that wall mounting be preformed by a qualified professional installer. Naxa is not liable for any accidents or damage to property or the sound bar due to incorrect installation.

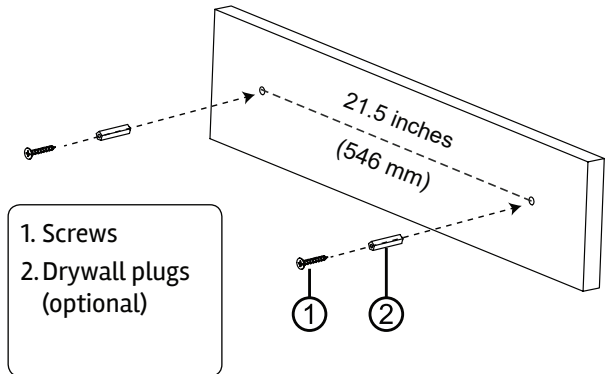
1. Using a level and ruler, use a pencil to mark 2 points on the wall that are 21.5 inches apart. Use the level to ensure that the points are on the same horizontal plane and are parallel to the ground.



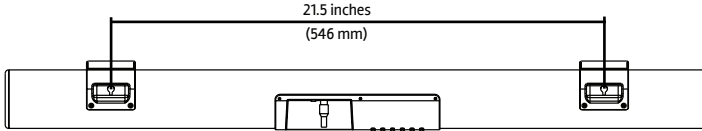
2. **For drywall installations only;** for wood, skip to step 3: Drill holes at the two marked points on the wall. Insert the drywall plugs into each of the holes; use a hammer to gently tap them into place. The plugs should fit completely into the hole, with the tops of the plug flush with the wall.

(For installations in brick or concrete walls, please obtain a masonry bit, plugs, and screws from your local hardware store.)

3. Use a screwdriver to drive the screws partially into the wall at the two marked points. **Allow the screws to extend 0.3 inches from the wall.**



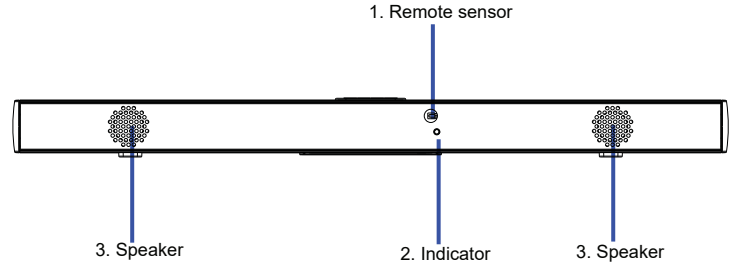
4. Make sure that the screws are stable and firmly attached to the wall. Locate the mount points on the rear of the sound bar, then hook the sound bar onto the screws.



The wall that the sound bar is mounted on should be of sufficient strength to support the weight of the sound bar.

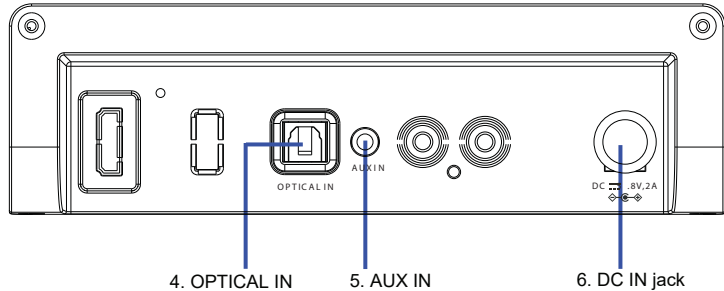
At a Glance

Front View



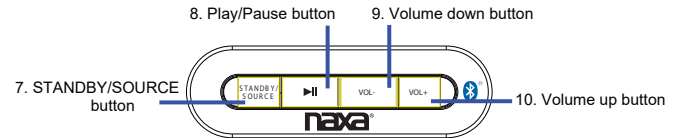
1	IR Sensor	Receives signals from the remote control.
2	Indicator	Lights up to indicate the current source mode.
3	Speaker	Full-range drivers

Rear View



4	OPTICAL IN connector	Optical In mode. Digital optical audio connection for devices with optical audio output.
5	AUX IN connector	AUX IN mode. 3.5mm stereo connection for devices with 3.5mm line-out or head-phone output.
6	Power Socket	Connector for the included power adapter.
7	STANDBY/SOURCE button	Press and hold to turn the unit Off, press again to turn it back on. Press to change the active connection mode (Bluetooth, Optical IN, AUX IN)

TopView



8	▶ button	Press to start, pause, or resume playback.
9	VOL- button	Press to decrease the volume.
10	VOL+ button	Press to increase the volume.

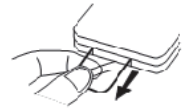
Remote Control



	Pres to turn On/Off the unit.
	Previous. Press to skip to the previous track (Bluetooth Mode)
VOL-	Press to decrease the Volume
BASS -	Press to decrease the Bass
TREBLE -	Press to decrease the Treble
	Press to Mute the Volume
	Pause or resume playback (Bluetooth Mode)
	Next. Press to skip to the next track (Bluetooth Mode)
VOL+	Press to increase the Volume
SOURCE	Press to change the input
BASS +	Press to increase the Bass
3D	Press repeatedly to change audio mode. Press and hold to turn to normal mode.
TREBLE +	Press to increase the Treble

Using the Remote Control

Before using the remote for the first time, remove and discard the plastic film protector.



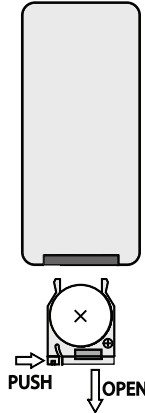
Aim the remote control at the front of the sound bar and then press a key.


Obstacles between the unit and transmitter may prevent the remote control from working. Direct sunlight, incandescent or fluorescent lamps, or any other strong light shining on the remote sensor of the unit may prevent the remote control from working properly.

Replacing the Battery

The remote control is powered by one (1) “CR2025”-type battery.

1. Squeeze the tab of the battery compartment to the right while drawing the battery tray out.
2. Take note of the orientation of the existing battery. Replace it with a new “CR2025” lithium battery, making sure to match the polarity of the old battery (as well as the +/- markings on the remote control).
3. Push the tray back into place.



 *The battery in the remote will last for approximately 1 year. Replace the battery if the remote control does not work. Always dispose of batteries according to your local municipal regulations.*

Do not use the remote control for other equipment at the same time.



The battery used in the remote control may present a fire or chemical burn if mistreated. Do not recharge, disassemble, incinerate, or heat the battery (~212°F). Do not mix old with new batteries, or different types of batteries. Remove the battery from the remote if it will not be used for a long period of time.

Keep batteries away from children.

*Lithium coin cells can cause serious injury or death if swallowed. **SEEK MEDICAL HELP IMMEDIATELY IF SWALLOWED.***

Do not spill water on the remote control.



Connecting Power

Use the included AC power adapter to connect the unit to AC household power.

- Connect the two-pronged end of the adapter to a household power outlet.
- Connect the barrel plug end of the adapter to the Power socket [6] of the unit.

The adapter supports AC 100–240V power only. Do not connect the power adapter to a power outlet other than that which is indicated here and on the rating label of the power adapter as this may result in the risk of fire or electric shock.

Disconnect the unit from power if it will not be used for a long time.

Do not handle the power plug with wet hands. Doing so may cause electric shock. Do not use the adapter with any other power source.

Getting Started

Turning the Unit On and Off

To turn the unit on, press the STANDBY/SOURCE [7] button.

To place the unit in Standby mode, press and hold STANDBY/SOURCE [7] until the SOURCE LED [2] turns red.

To turn the unit off completely, disconnect the unit from power.

Setting the Source Mode

Press STANDBY/SOURCE [7] to set the active source mode. This controls which connection is being used.

The SOURCE LED [2] will light to indicate which mode has been selected when STANDBY/SOURCE [7] is pressed.

Source LED	Connection Mode
Blue	Bluetooth®
Indigo (blue + green)	Optical IN [4]
Violet	AUX IN [5]

Adjusting the Volume

- Use the VOL- and VOL+ keys [9, 10] to decrease or increase the volume level, respectively.
- Press the MUTE key on the remote to disable sound output completely. Press the MUTE key again to restore sound output.

Using Bluetooth® Mode

Press SOURCE to set the active mode to Bluetooth.

Pairing a Bluetooth® Device

You will need to pair your Bluetooth device with the sound bar the first time you use them together.

1. Press the STANDBY/SOURCE button [7] until the Source LED turns blue.
2. Enable Bluetooth on the source device and use it to search for other Bluetooth devices. (Refer to the user manual of your device if you need help with this step.) Select the NAXA SBB-61250 sound bar when the device finds it. If the device prompts you for a pass code, enter “0000”.

3. Once you have successfully paired, you will be able to stream music wirelessly from your device to the sound bar. Some devices may allow you to control playback from the sound bar; otherwise, control playback on the device itself.
4. If the pairing attempt fails, the sound bar may have timed out. Try starting the pairing process again



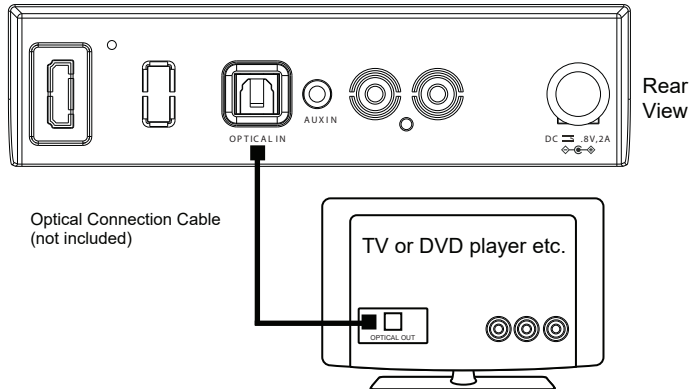
*Only one device can be paired with the sound bar at a time. Disable Bluetooth on other devices to prevent interference. The sound bar will try to reconnect automatically with the last paired device when it is placed in Bluetooth mode. If the Bluetooth connection is lost due to external factors, or it will not reconnect automatically, you may need to pair again with the **NAXA SBB-61250**. Clear the **NAXA SBB-61250** from the Bluetooth device list on your source device before pairing again.*

Using Optical IN Mode

Connection

1. Follow the figure below to make the connections.
2. Turn the unit on. Press the STANDBY/SOURCE [7] until the SOURCE LED indicator turns indigo.

Not all entertainment systems are setup the same way; the diagram below is only an example of a simple setup.



Operate the external device as directed by its manufacturer to control playback.



This optical connection only supports the uncompressed PCM signal format. You may need to adjust the digital output format of your source device; contact the device manufacturer to learn more.

Using AUX IN Mode

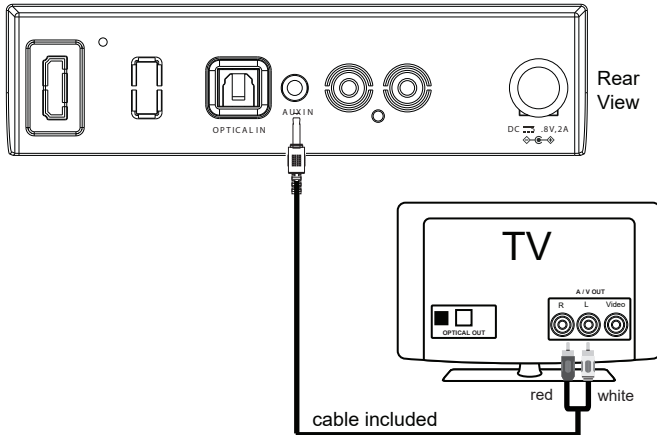
AUX IN sources may include:

- Personal audio players, mobile phones
- Personal computers or laptops



AUX IN connection

1. Follow the figure below to make the connections.
2. Use a stereo 3.5mm to RCA jack cable (supplied) to connect the RCA (Audio) output of the source device (e.g., TV) to the AUX IN audio input jack found on the back of the unit.

-
3. Press the **STANDBY/SOURCE** [7] to turn on the unit.
Short press the **STANDBY/SOURCE** [7] button until the **Source LED** indicator turns violet. Start playback on the source device.



Warnings and Precautions

	CAUTION WARNING: SHOCK HAZARD. DO NOT OPEN. AVIS: RISQUE DE CHOC ELECTRIQUE. NE PAS OUVRIR	
CAUTION: TO REDUCE THE RISK OF FIRE AND ELECTRIC SHOCK, DO NOT REMOVE THE COVER (OR BACK) OF THE UNIT. REFER SERVICING ONLY TO QUALIFIED SERVICE PERSONNEL.		



The lightning flash with arrowhead symbol within an equilateral triangle is intended to alert the user to the presence of uninsulated “dangerous voltage” within the product’s enclosure that may be of significant magnitude to constitute risk of electric shock



The exclamation point within an equilateral triangle is intended to alert the user to the presence of important operation and servicing instructions in the literature accompanying the appliance.

CAUTION

- Do not block the ventilation openings or holes.
- Do not place any naked flames (such as lighted candles) on the apparatus.
- When discarding batteries, follow all local rules and laws governing the disposal of batteries. Consider the environmental impact of your actions!
- To prevent fire or shock hazard, do not expose this appliance to rain or moisture.

Important Safety Information

1. Read Instructions: All the safety and operating instructions should be read before the product is operated.
2. Retain Instructions: The safety and operating instruction should be retained for future reference.
3. Heed Warnings: All warnings on the product and in the operating instructions should be adhered to.
4. Follow Instructions: All operating and usage instructions should be followed.
5. Cleaning: Unplug this product from the wall outlet before cleaning. Do not use liquid cleaners or aerosol cleaners. Use a damp cloth for cleaning.
6. Attachments: Use only attachments recommended by the manufacturer. Use of other attachments may be hazardous.
7. Water and Moisture: Do not use this product near water (e.g., near a bathtub, washbowl, kitchen sink, laundry tub, in wet basements, or near a swimming pool and the like).
8. Accessories: Do not place this product on an unstable cart, stand, tripod, bracket, or table. Use only with carts, stands, tripods, brackets, or tables recommended by the manufacturer or sold with the product. Any mounting of the product should follow the manufacturer’s instructions and should use a mounting accessory recommended by the manufacturer. A product and cart combination should be moved with care. Quick stops, excessive force, and uneven surfaces may cause the product and cart combination to overturn.



9. **Ventilation:** Slots and openings in the cabinet are provided for ventilation to ensure reliable operation of the product and to protect it from overheating. These openings should never be blocked by placing the product on a bed, sofa, rug, or other similar surface. This product should not be placed in a built-in installation such as a bookcase or rack unless proper ventilation is provided or the manufacturer instructions have been adhered to.
10. **Power Sources:** This product should be operated only from the type of power source indicated on the rating label. If you are not sure of the type of power supply to your home, consult your product dealer or local power company. For products intended to operate from battery power or other sources, refer to the operating instructions.
11. **Grounding or Polarization:** This product may be equipped with a polarized alternating-current line plug that has one blade wider than the other. This plug will only fit into the power outlet in one direction. This is a safety feature. If you are unable to insert the plug fully into the outlet, try reversing the direction of the plug. If the plug should still fail to fit, contact an electrician to replace the obsolete outlet. Do not defeat the safety purpose of the polarized plug.
12. **Power-Cord Protection:** Power supply cords should be routed so that they are not likely to be walked on or pinched by items placed upon or against them, paying particular attention to cords at plugs, convenience receptacles, and at the point which they exit from the product.
13. **Protective Attachment Plug:** The product may be equipped with an attachment plug with overload protection. This is a safety feature. See the operating instructions for replacement or directions to reset the protective device. If replacement of the plug is required, be sure the service technician has used a replacement plug that has the same overload protection as the original plug as specified by the manufacturer.
14. **Lightning:** For added protection for this product, unplug it from the wall outlet during a lightning storm or when it is left unattended and unused for long periods of time. This will prevent damage to the product due to lightning or power-line surges.
15. **Overloading:** Do not overload wall outlets, extension cords, or integral convenience receptacles as this can result in a risk of fire or electric shock.
16. **Object and Liquid Entry:** Never push objects of any kind into this product through openings as they may touch dangerous voltage points or short-out parts that could result in a fire or electric shock. Never spill liquid of any kind on the product.
17. **Servicing:** Do not attempt to service this product yourself as opening or removing covers may expose you to dangerous voltage or other hazards. Refer all servicing to qualified service personnel.
18. **Damage Requiring Service:** Unplug this product from the wall outlet and refer servicing to qualified service personnel under the following conditions: a) when the power-supply or plug is damaged; b) if liquid has been spilled or if objects have fallen into the product; c) if the product has been exposed to rain or water; d) if the product does not operate normally by following the operating instructions. Adjust only those controls that are covered by the operating instructions as improper adjustment of other controls may result in damage and will often require extensive work by a qualified technician to restore the product to its normal operation; e) if the product has been dropped or damaged in any way; f) when the product exhibits a distinct change in performance—this indicates a need for service.
19. **Replacement Parts:** When replacement parts are required, be sure that your service technician has used replacement parts specified by the manufacturer or have the same characteristics as the original part. Unauthorized substitutions may result in fire, electric shock, or other hazards.

20. Safety Check: Upon completion of any service or repairs to this product,ask the service technician to perform safety checks to ensure that the product is in proper operating condition.
21. Wall or Ceiling Mounting: The product should be mounted to a wall or ceiling only as recommended by the manufacturer.
22. Heat: The product should be situated away from heat sources such as radiators,heat registers, stoves, or other products (including amplifiers) that produce heat.

WARNING:

This product contains lead, a chemical known to the State of California to cause cancer and birth defects or other reproductive harm. ***Wash hands after handling.***

FCC NOTICE

This device complies with Part 15 of the FCC Rules. Operation is subject to the following two conditions: (1) this device may not cause harmful interference, and (2) this device must accept any interference received, including interference that may cause undesired operation.

Note: This equipment has been tested and found to comply with the limits for a Class B digital device, pursuant to Part 15 of the FCC Rules. These limits are designed to provide reasonable protection against harmful interference in a residential installation. This equipment generates, uses and can radiate radio frequency energy and, if not installed and used in accordance with the instructions, may cause harmful interference to radio communications. However, there is no guarantee that interference will not occur in a particular installation. If this equipment does cause harmful interference to radio or television reception, which can be determined by turning the equipment off and on, the user is encouraged to try to correct the interference by one or more of the following measures:

- Reorient or relocate the receiving antenna.
- Increase the separation between the equipment and receiver.
- Connect the equipment into an outlet on a circuit different from that to which the receiver is connected.
- Consult the dealer or an experienced radio/TV technician for help.

CAUTION ON MODIFICATIONS

Any changes or modifications not expressly approved by the grantee of this device may void the authority granted by the FCC to operate the equipment.

- 2.The minimum separation generally be used is at least 20 cm.

Troubleshooting Guide

This guide lists common problems and their solutions. Please refer to this guide before requesting service. If you need further assistance, please contact Naxa Technical Support – www.naxa.com/supportcenter/

Symptom	Possible Cause	Possible Solution
No power.	Power adapter not connected	Connect the adapter
	The unit is in Standby mode	Press STANDBY/SOURCE on the unit or press the ⏻ on remote control to turn on the unit.
No sound.	No/Low Volume	Raise volume level by pressing the VOL + button. Try pressing the MUTE button on the remote.
	The connected device is not in playback mode	Play the music/movie in the connected device
	Sound output of the device weak	Raise volume level of the connected device

Symptom	Possible Cause	Possible Solution
Remote control not working	The batteries in the remote control are exhausted	Replace with new battery
AUX IN not working	Wrong source is selected	Press the STANDBY/SOURCE button until indicator turns violet (AUX IN)
No response from Bluetooth source	Wrong source is selected	Press the STANDBY/SOURCE button until indicator turns Blue
	The unit is connected with another Bluetooth device	Disconnect from the other device and try again
	The connected device is De-activated	Activate the connected device and start the playback

Specifications

Speaker Output (RMS)	6W (3W x 2)
Inputs	Bluetooth® Optical digital audio 3.5mm AUX audio
Effective Range	Bluetooth: Up to 32 feet Remote control: Up to 16 feet
Additional Features	Compact Design
Power Source	Sound Bar: AC 100–240V (DC 5.8V, 2A) Remote Control: DC 3V (1 x CR2025 battery)

Note: Product are improved continuously. We reserve the right to modify the product and specifications without prior notice.

Support

If you have problems with your device, please consult the instructions in this manual. Please also visit us on the web at www.naxa.com to get up to the minute news, alerts, and documentation for your device. For additional assistance, please contact Naxa Technical Support.

NAXA Technical Support

2320 East 49th St.

Vernon, CA 90058

866–411–6292

<http://www.naxa.com/supportcenter/>

MADE IN CHINA



CH BLUETOOTH SOUNDBAR SPEAKER® SBB-61250



MANUAL DE OPERACIÓN

FAVOR DE LEER ESTE MANUAL COMPLETAMENTE ANTES DE OPERAR ESTE PRODUCTO.
CONSERVAR EL MANUAL PARA FUTURAS REFERENCIAS

Índice

Agradecimiento 3

Contenido en el empaque 3

Instalación de la Barra de Sonido 4

Sobre una mesa 4

Sobre la pared 4

Descripción de partes 6

Parte frontal 6

Parte posterior / superior 7

Control remoto 8

Usando el control remoto 8

Reemplazando las baterías 9

Fuentes de alimentación 10

Iniciando 10

Encender / Apagar 10

Ajuste del modo de fuente 10

Ajuste del volumen 11

Operación del modo Bluetooth® 11

Sincronizando el dispositivo Bluetooth® 11

Operación del Modo de Entrada Óptica 12

Conexión 12

Operación del Modo de Entrada Auxiliar 12

Fuentes de Entrada Auxiliar 12

Conexión de Entrada Auxiliar 12 – 13

Limpieza y mantenimiento 13

Indicaciones sobre el medio ambiente 13

Advertencias y precauciones 14

Guía rápida para la solución de problemas 17

Especificaciones 18

Soporte 18

Agradecimiento

Sabemos que usted tiene muchas opciones cuando se trata de tecnología; gracias por elegir los productos de Naxa Electronics. Fundada en 2001 en Los Ángeles, California, estamos dedicados a ofrecer productos que entretienen y satisfacen sus necesidades.

Confiamos en que usted será feliz con su compra. Favor, de leer atentamente este manual y guárdelo para futura referencia. Usted también puede encontrar las preguntas más frecuentes, documentación y otro material del producto en nuestro sitio web. Venga a visitarnos en www.naxa.com y ver todo lo que tenemos para ofrecer

Contenido en el empaque

Favor de tomar unos momentos para asegurarse de que se tiene todo lo que se enlista abajo. Aunque hacemos todo lo posible para asegurarnos de que cada dispositivo Naxa esté bien empacado y sellado, sabemos que pueden pasar muchas cosas durante el empacado y transporte. Si falta algún componente, acudir inmediatamente con el proveedor para obtener asistencia inmediata. Favor de contactar al equipo de soporte naxa en www.naxa.com/supportcenter

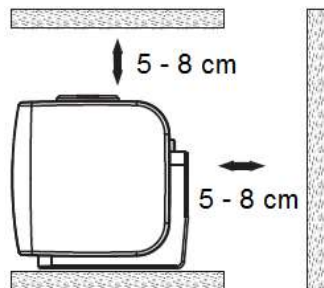
- Barra de Sonido SBB-61250
- Adaptador de ca/cc
- Control remoto con batería de 3 Vcc (CR2025)
- Cable de Audio Auxiliar con conector estéreo de Ø 3.5 mm y conectores RCA
- Manual de operación

Instalación de la Barra de Sonido

Instalación sobre una mesa

Encontrar una superficie plana y nivelada para instalar la barra de sonido. La mayoría de las personas instala la barra de sonido centrada de bajo de la TV.

Al colocar la barra de sonido en un centro de entretenimiento, una estantería, o cualquier tipo de espacio cerrado, asegurarse de dejar espacio libre alrededor de la barra de sonido para una adecuada ventilación. Si la barra de sonido está encerrada en un espacio reducido sin ventilación adecuada, el calor generado por la barra de sonido puede producir un riesgo potencial de calor.



Instalación sobre la pared

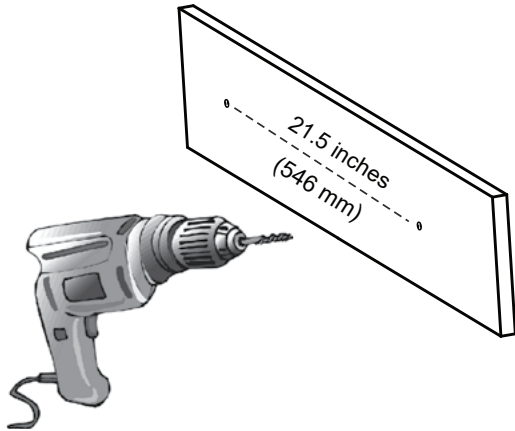
Cada entorno de instalación es único y tiene sus propios requerimientos; es posible que tenga la necesidad de material adicional para preparar la barra de sonido para el montaje.

Se requerirá lo siguiente (los accesorios indicados no vienen incluidos):

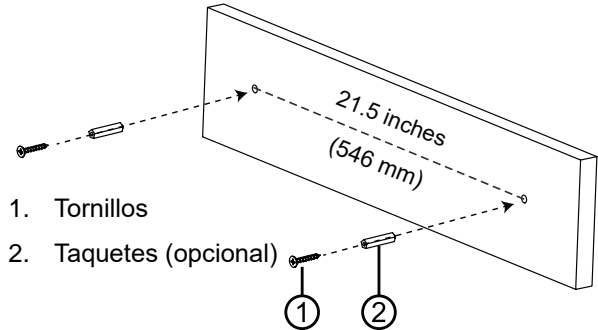
- Juego de instalación de pared (2 tornillos, 2 taquetes)
- Lápiz
- Nivel
- Regla
- Taladro (para instalación sobre paredes secas solamente)
- Martillo (para instalación sobre paredes secas solamente)
- Desarmador cruz

Naxa Electronics recomienda que la instalación en pared se realizada por un instalador profesional calificado. Naxa no se hace responsable de accidentes, daños a la propiedad o a la barra de sonido debido a una instalación incorrecta.

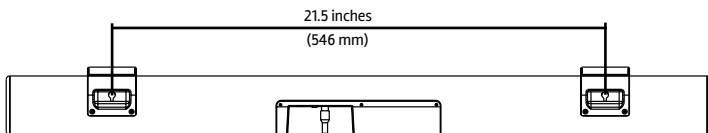
1. Usar el nivel, regla y lápiz para marcar los puntos en la pared con una separación de 54.6 cm (21.5"). Usar el nivel para asegurarse que los puntos estén en el mismo plano horizontal y sean paralelos al piso.



2. **Para instalación sobre paredes secas:** para madera saltar a paso 3. Usar el taladro para realizar las perforaciones en los 2 puntos marcados en la pared. Seleccionar el tipo de broca que sea apropiado para el material de la pared. Si va usar taquetes (ver punto 4), asegurarse que el diámetro de la broca coincida con el diámetro de los taquetes. Insertar los taquetes en las perforaciones, usar el martillo para insertar suavemente los taquetes en las perforaciones. Los taquetes deben entrar completamente en las perforaciones. (Para instalación en paredes de ladrillo u hormigón, usar taquetes para mampostería, los cuales puede conseguir en la ferretería). Insertar los tornillos en las perforaciones **dejando 8 mm del tornillo fuera de la pared.**
3. Usar el desarmador para atornillar parcialmente los tornillos sobre los puntos marcados en la madera **dejando 8 mm del tornillo fuera de la pared.**



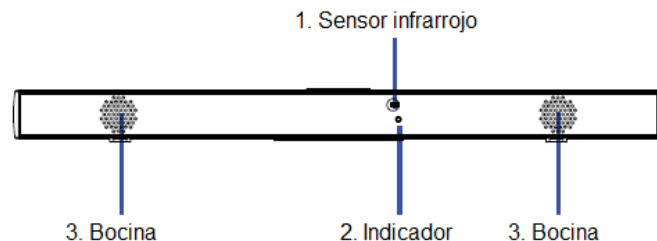
4. Asegurarse que los tornillos están fijados de manera estable y segura a la pared. Localizar las perforaciones de montaje en la parte posterior de la barra de sonido, entonces enganchar la barra de sonido en los tornillos.



La pared en que los tornillos son fijados debe ser lo suficientemente fuerte para soportar el peso de la barra de sonido y la barra debe sonido debe quedar perpendicular al piso.

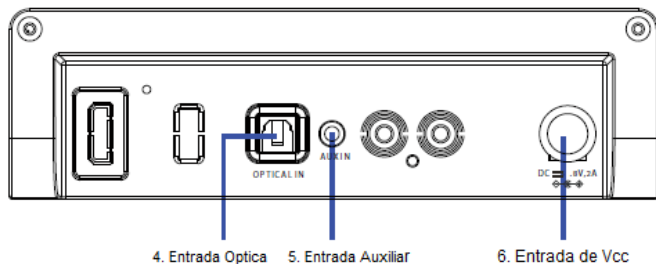
Descripción de Partes

Parte Frontal



1	IR	Sensor infrarrojo – Recibe la señal del control remoto
2	Indicador	Se enciende para indicar el modo de fuente actual
3	Bocinas	Bocinas con controladores de rango completo

Parte Posterior



4	OPTICAL IN	Conector de entrada de audio óptico digital para dispositivos de audio externos con salida de audio óptico digital
5	AUX IN	Modo de Entrada Auxiliar. Conector estéreo de Ø 3.5 mm para la conexión de la salida de audio dispositivos de audio externos a través del cable de audio auxiliar estéreo de Ø 3.5 mm
6	DC	Entrada de Vcc – Conectar la salida del adaptador de ca/cc incluido

Parte Superior



7	STANDBY / SOURCE	Presionar y sostener para Encender o Apagar la unidad Presionar para seleccionar el modo de fuente de Bluetooth®, Entrada óptica, Entrada Auxiliar
8	▶	Presionar para Iniciar, Pausar o Reanudar la reproducción
9	VOL –	Presionar para disminuir el nivel del volumen
10	VOL +	Presionar para incrementar el nivel del volumen

Control Remoto



	Presionar para Encender / Apagar (Espera) la unidad
	Presionar para saltar a la pista anterior (Modo Bluetooth®)
VOL-	Presionar para disminuir el nivel del volumen
BASS-	Presionar para disminuir el nivel de los sonidos graves
TREBLE-	Presionar para disminuir el nivel de los sonidos agudos
	Presionar para desactivar la salida de audio (silencio), presionar nuevamente para volver a activarla.
	Presionar para Iniciar, Pausar o Reanudar la reproducción (Modo Bluetooth®)
	Presionar para saltar a la pista siguiente (Modo Bluetooth®)
VOL+	Presionar para aumentar el nivel del volumen
SOURCE	Presionar para seleccionar el modo de fuente
BASS+	Presionar para aumentar el nivel de los sonidos graves
3D	Presionar para cambiar el modo de audio
TREBLE+	Presionar para aumentar el nivel de los sonidos agudos

Usando el Control Remoto

Antes de usar el control remoto por primera vez remover el protector de plástico



Apuntar con el transmisor infrarrojo del control remoto directamente al sensor infrarrojo de la unidad y presionar el botón deseado.

El control remoto opera dentro de una distancia de 5 metros aproximadamente y una ángulo de 30° respecto a los costados del sensor infrarrojo de la unidad.



Obstáculos entre el sensor infrarrojo y el transmisor infrarrojo pueden provocar que el control remoto no opere adecuadamente. Los rayos del sol, lámparas incandescentes y fluorescentes o cualquier otra fuente luminosa fuerte sobre el sensor infrarrojo de la unidad pueden provocar que el control remoto no opere adecuadamente.

Reemplazando las baterías

El control remoto opera con una batería de 3 Vcc tipo botón "CR2025".

1. Presionar hacia la derecha sobre el seguro de la bandeja de la batería y jalar la bandeja hacia fuera.
2. Remover la batería gastada e instalar una batería nueva de litio (CR2025) en la bandeja, verificando que el lado positivo de la batería quede hacia arriba. Una polaridad invertida puede dañar el control
3. Introducir la bandeja en el compartimiento hasta escuchar un clic.



Las batería usadas en el control remoto pueden generar riesgo de fuego o quemaduras químicas si estás son usadas de forma incorrecta.

No recargar, desarmar, incinerar, golpear o calentar las baterías.

No mezclar baterías nuevas con usadas o de diferente tipo.

Remover las baterías del control remoto si este no va ser usado por un periodo largo de tiempo o si las baterías están agotadas.

No intentar cargar baterías que no están diseñadas para recargarse, estas se pueden sobrecalentar y explotar.

No exponer las baterías a calor excesivo, por ejemplo bajo los rayos directos del sol, fuego o similares.

Mantener las baterías lejos de los niños, personas con capacidades diferentes y mascotas.



El periodo de vida de la batería en el control remoto es de aproximadamente 1 año.

Reemplazar la batería si el control remoto no opera. Desechar las baterías de forma adecuada de acuerdo con las leyes de desechos sólidos de su localidad para evitar daños al medio ambiente.

No usar el control remoto de otro equipo al mismo tiempo

No derramar agua sobre el control remoto, ni exponer al goteo o salpicadura de agua, lluvia o humedad.

*Las baterías tipo botón pueden causar serias lesiones o incluso la muerte si son tragadas. Si piensa que la batería ha sido tragada o colocada en cualquier parte del cuerpo, **ACUDIR AL MÉDICO INMEDIAMENTE.***



Fuente de Alimentación

Usar el adaptador de ca/cc para operar la barra de sonido.

1. Conectar la salida del adaptador al conector DC (6) de la barra de sonido.
2. Conectar el adaptador ca/cc al tomacorriente.



El adaptador de ca/cc opera en un rango de voltaje de entrada de 100-240 V~. No conectar el adaptador de ca/cc a un tomacorriente con un voltaje diferente al especificado en el manual y etiquetado, esto puede generar riesgo de fuego o choque eléctrico.

Desconectar el adaptador de ca/cc del tomacorriente y de la barra de sonido sin no va ser operado por un periodo largo de tiempo.

No conectar o desconectar el adaptador de ca/cc del tomacorriente o de la barra de sonido con las manos mojadas o húmedas, esto puede generar riesgo de choque eléctrico.

No usar el adaptador de ca/cc con otro dispositivo

Iniciando

Encender / Apagar

Para encender la unidad, presionar y sostener “STANDBY/SOURCE” (7) en la unidad o presionar “⏻” en el control remoto.

Para colocar la unidad en modo de espera, presionar y sostener “STANDBY/SOURCE (7) en la unidad o presionar “⏻” en el control remoto hasta que el indicador (2) cambia a verde.

Para apagar la unidad completamente, desconectarla de la fuente de alimentación.

Ajuste del modo de Fuente

Presionar “STANDBY/SOURCE” (7) en la unidad o “SOURCE” en el control remoto para seleccionar el modo de fuente deseado.

El indicador (2) se enciende indicando el modo de fuente seleccionado de:

Color indicador (2)	Modo de Fuente
Azul	Bluetooth®
Índigo (azul + verde)	Entrada Óptica digital
Morado	Entrada Auxiliar

Ajuste de volumen

- Presionar “VOL-“ o “VOL+” en la unidad o control remoto para disminuir o aumentar el volumen al nivel deseado.
- Presionar “M” en el control remoto para desactivar la salida de audio (silencio), presionar “M” nuevamente para volver a activar la salida de audio.

Operación del Modo Bluetooth®

Es necesario primero sincronizar el dispositivo Bluetooth con la barra de sonido para usarlos en el modo Bluetooth®

Sincronizando el dispositivo Bluetooth®

1. Estando la barra de sonido encendida, Presionar “STANDBY/SOURCE” (7) en la unidad o “SOURCE” en el control remoto hasta que el indicador se ilumina en color azul para seleccionar el modo de fuente Bluetooth®. La barra de sonido está ahora lista para sincronizarse con dispositivos Bluetooth.
2. Activar la función de Bluetooth® en el dispositivo a sincronizar (asegurarse que se encuentre a una distancia de 3 metros de la barra de sonido). Referirse al manual de operación del dispositivo Bluetooth® para mayor información.
3. Una vez activada la función Bluetooth® en el dispositivo, este busca dispositivos disponibles y

despliega la lista de dispositivos encontrados. En la lista, seleccionar el nombre de sincronía de la barra de sonido que es “NAXA SBB-61250”

4. En caso de requerir contraseña, ingresar “0000” para finalizar la sincronización.
5. Una vez que la sincronización ha sido exitosa, se puede reproducir música de forma inalámbrica del dispositivo Bluetooth® a través de la barra de sonido. Algunos dispositivos permiten el control de la reproducción a través de la barra de sonido; de otra manera controlar la reproducción desde el dispositivo Bluetooth®.



Solo un dispositivo Bluetooth® puede sincronizarse a la vez con la barra de sonido.

Deshabilitar la función de Bluetooth® de otros dispositivos para evitar interferencias.

La barra de sonido intenta conectarse automáticamente con el último dispositivo Bluetooth® conectado al estar en el modo de Bluetooth®. Si la conexión Bluetooth® se pierde debido a factores externos o se se conecta automáticamente, sincronizar la barra de sonido nuevamente.

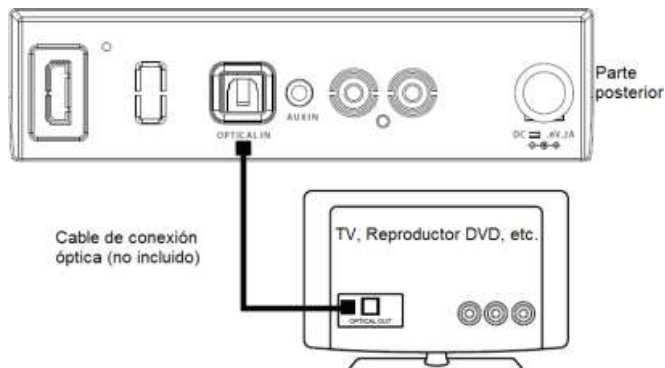
Borrar “NAXA SBB-61250” en la lista de dispositivo Bluetooth® del dispositivo antes de sincronizarlos nuevamente.

Operación del Modo de Entrada Óptica

Conexión

1. Seguir la imagen de abajo para realizar la conexión.
2. Estando la barra de sonido encendida, Presionar “STANDBY/SOURCE” (7) en la unidad o “SOURCE” en el control remoto hasta que el indicador se ilumina en color índigo para seleccionar el modo de fuente Entrada óptica.

No todos los sistemas de entretenimiento pueden ajustarse de la misma forma; la conexión de abajo es solo un ejemplo de un ajuste simple.



Operar el dispositivo externo de acuerdo a las instrucciones del fabricante del mismo para controlar la reproducción.



La conexión óptica solo soporta el formato de señal PCM sin comprimir.

Necesita ajustar el formato de salida digital del dispositivo, ver el manual de operación del dispositivo para mayores detalles.

Operación del Entrada Auxiliar

Fuentes de Entrada Auxiliar

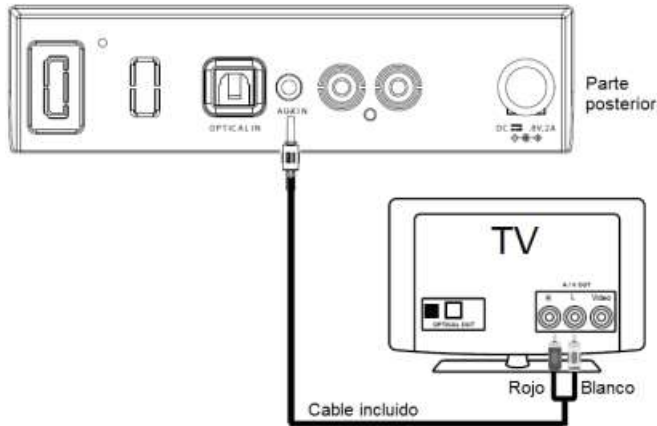
- Reproductor de audio, teléfono celular.
- Computadora de escritorio o personal, etc.

Conexión de Entrada Auxiliar

1. Seguir la imagen de abajo para realizar la conexión.
2. Estando la barra de sonido encendida, Presionar “STANDBY/SOURCE” (7) en la unidad o “SOURCE” en el control remoto hasta que el indicador se ilumina en color morado para seleccionar el modo fuente de

Entrada Auxiliar.

- Usar el cable de audio auxiliar con conector estéreo de \varnothing 3.5 mm y conectores RCA para conectar la salida del dispositivo de audio externo de la TV al conector de entrada auxiliar "AUX IN" de la barra de sonido.



Limpieza y Mantenimiento

- Apagar y desconectar la barra de sonido de la fuente de alimentación y del dispositivo externo antes de darle mantenimiento o limpieza.



- El gabinete de la fuente de la barra de sonido debe limpiarse con una tela suave, limpia, seca y libre de pelusa.
- Para manchas fuertes, humedecer la tela con una solución de agua con jabón neutro; secar completamente después de la limpieza.
- No usar limpiadores químicos como alcohol, thinner, etc. o materiales abrasivos estos pueden dañar el gabinete.
- No almacenar la barra de sonido en lugares con temperaturas extremas, estas pueden acortar la vida de los dispositivos electrónicos, causar daños en la batería o deformar las partes plásticas.
- Almacenar la barra de sonido en un lugar libre de polvo, pelusa, cabellos, agua, humedad, etc.

Indicaciones sobre el medio ambiente



Al término de la vida útil de este producto, este no debe ser desechado en la basura doméstica para evitar daños al medio ambiente, en su caso acudir al centro de desechos sólidos de su localidad. La separación adecuada de los desechos ayuda a evitar posibles efectos negativos sobre la salud humana y el medio ambiente y promueve el reciclaje de los materiales que componen el producto. Informarse en su localidad sobre los organismos de eliminación de este tipo de desechos.

Advertencias y Precauciones

	PRECAUCIÓN RIESGO DE CHOQUE ELÉCTRICO, NO ABRIR	
PRECAUCIÓN: PARA REDUCIR EL RIESGO DE CHOQUE ELECTRICO NO REMOVER LA CUBIERTA (O TAPA), DENTRO DE ESTE APARATO NO HAY PARTES QUE EL USUARIO PUEDA DARLE SERVICIO, ACUDIR A UN CENTRO DE SERVICIO AUTORIZADO O CON PERSONAL CALIFICADO.		



El símbolo del relámpago con punta de flecha dentro de un triángulo, es diseñado para advertir al usuario de voltajes peligrosos no aislados dentro del producto que pueden ser de magnitud suficiente para constituir riesgo de fuego o choque eléctrico para las persona.




El símbolo de exclamación dentro de un triángulo, es para alertar al usuario de la presencia de instrucciones importantes de operación, mantenimiento y servicio que se encuentran dentro de este instructivo

Precaución

- No bloquear las ranuras de ventilación.
- No colocar fuentes generadoras de flama (como velas, veladoras, etc.) sobre la unidad.
- Al desechar las baterías seguir la reglas de desechos sólidos de su localidad para evitar daños al medio ambiente.
- Radiación láser invisible peligrosa al abrir y liberar los seguros. Evitar la exposición a la radiación láser.
- Para prevenir riesgo de fuego o choque eléctrico no exponer esta unidad al goteo o salpicadura de agua, a la lluvia o humedad.

Importante Información de Seguridad

1. Leer las instrucciones. Deben leerse todas las instrucciones de operación y de seguridad antes de operar este producto.
2. Conservar las instrucciones. Deben conservarse las instrucciones de operación y seguridad para futuras referencias.
3. Poner atención a las advertencias. Todas las advertencias en el producto y las instrucciones de operación y seguridad deben de respetarse.
4. Seguir las instrucciones. Deben seguirse todas las instrucciones de uso y operación.
5. Limpieza. Desconectar el cordón de alimentación del tomacorriente antes de darle mantenimiento o limpieza al reproductor. Limpiar con una tela, suave, limpia y seca, No usar limpiadores líquidos o en aerosol.
6. Accesorios. Usar solo accesorios/refacciones recomendados por el fabricante.
7. Agua y humedad. No usar este producto cerca del agua, por ejemplo cerca de una bañera, lavabo, fregadero de cocina o de lavar, sótanos húmedos o cerca de una piscina.
8. Manejo y desplazamiento. No colocar este producto en un carrito, plataforma, repisa o mesa inestables, el producto puede caerse generando serias lesiones y daños a las personas y/o al producto. Usar este producto solo con el carrito, plataforma, repisa o mesa recomendado por el fabricante o vendido con el producto. La combinación del producto y de un carrito debe moverse con cuidado. Las paradas repentinas, fuerza excesiva y las superficies desniveladas pueden generar que el producto y el carrito se vuelquen. 
9. Ventilación. Las ranuras y aberturas en la parte posterior y posterior del gabinete son provistas para la ventilación y asegurar la buena operación del producto y protegerlo del sobrecalentamiento. No deben bloquearse o taparse estas aberturas, colocando el producto sobre una cama, sofá alfombra u otra superficie similar. El producto no debe colocarse cerca o sobre un radiador o fuentes de calor. Este producto no

-
- debe colocarse en un librero o estante que impida el flujo del aire a través de las ranuras de ventilación.
10. Fuentes de alimentación. Este producto debe ser operado solo con los tipos de fuentes de alimentación indicados en la etiqueta de marcado, si no está seguro del tipo de la fuente de poder de su casa, consultar con su proveedor o con la compañía de electricidad local. Para producto diseñados para operar con baterías u otras fuentes, referirse al manual de operación.
 11. Terminal de tierra y polarización. No eliminar la característica de seguridad de una clavija polarizada o clavija con terminal a tierra, esta es una medida de seguridad. Una clavija polarizada cuanta con dos terminales con una terminal más ancha que la otra. Una clavija con terminal a tierra cuenta con dos terminales con una tercera terminal con conexión a tierra. Si la clavija no entra completamente en el tomacorriente, intentar meterla nuevamente volteándola; si tampoco entra completamente consultar a un electricista o personal calificado para reemplazar el tomacorriente obsoleto.
 12. Protección del cordón de alimentación. El cordón de alimentación debe colocarse de forma tal que no exista probabilidad de pisarlo o apretarlo sobre los lugares donde será colocado o contra el producto mismo. Poner atención particular en el cordón, la clavija, el tomacorriente y en los puntos en donde estos salen del producto.
 13. Clavija con protección. Este producto puede contar con una clavija con protección contra sobrecarga. Esta es una característica de seguridad. Ver las instrucciones de operación para reemplazar o restablecer el dispositivo de protección. Si requiere reemplazar la clavija, asegurarse que se use una clavija con protección contra sobrecarga original y de las mismas características de acuerdo a lo especificado por el fabricante.
 14. Tormentas eléctricas o periodos sin uso. Desconectar este producto del tomacorriente durante tormentas eléctricas o cuando va ser usado por un periodo largo de tiempo para protegerlo. También desconectar la antena exterior o el sistema de cable. Esto protege al producto de daños debido a los rayos o sobre líneas de poder.
 15. Sobrecarga. No sobrecargar los tomacorrientes, cordones de extensión y los receptáculos ya que pueden generar riesgo de fuego o choque eléctrico.
 16. Entrada de objetos y líquidos. No introducir objetos de cualquier tipo dentro de este producto a través de las ranuras o aberturas, estos pueden llegar a tocar puntos de voltaje peligroso o salidas que pueden resultar en riesgo de fuego o choque eléctrico. No derramar o rociar cualquier tipo de líquido sobre las ranuras de ventilación del producto.
 17. Servicio. No intentar dar servicio usted mismo a este producto, abriendo o removiendo las cubiertas, puede exponerse a voltajes peligrosos u otros riesgos.
 18. Daños que requieren servicio. Desconectar el producto del tomacorriente de pared y acudir a un centro de servicio autorizado o con personal calificado bajo las siguientes condiciones
 - a) Cuando la clavija o el cordón de alimentación estén dañados.
 - b) Cuando ha sido derramado liquido o han caído objetos en el interior del producto.
 - c) Si el producto ha sido expuesto a la lluvia o agua.
 - d) Si el producto no opera adecuadamente siguiendo las instrucciones de operación. Ajustar solo los controles que son indicados en este manual de operación. El ajuste de otros controles puede ocasionar daños y a menudo se requiere de trabajo excesivo del servicio técnico para restablecer la operación normal del producto.
 - e) Si el producto se ha caído o golpeado o si la cubierta está dañada.
 - f) Si el producto exhibe cambios en su funcionamiento normal. Todo lo anterior indica la necesidad de darle servicio al producto.
 19. Reemplazo de partes. Cuando es necesario el reemplazo de partes, asegurarse que el servicio técnico use partes especificadas por el fabricante o que tengan las mismas características que las partes originales. El reemplazo de partes no autorizadas puede resultar en fuego, choque eléctrico u otros riesgos.
-

-
20. Verificar las medidas de seguridad. Una vez que se ha completado cualquier tipo de servicio o reparación a este producto, solicitar al técnico de servicio que realice las pruebas de seguridad para poder determinar que el producto está en condiciones apropiadas de operación.
 21. Colocación en la pared o techo. El producto debe de colocarse en la pared o techo de acuerdo a como lo especifica el fabricante.
 22. Calor. El producto debe colocarse lejos de fuentes de calor como radiadores, registros de calor, estufas u otros productos que producen calor (incluso amplificadores).

ADVERTENCIA

Este producto contiene plomo, una sustancia química que en algunos países se conoce como causante de cáncer, defectos de nacimiento u otros daños reproductivos. **Lavarse las manos después de operarlo.**

NOTICIA FCC

Este dispositivo cumple con la parte 15 de las reglas FCC. La operación del aparato está sujeta a las dos siguientes condiciones: (1) Este aparato no puede causar interferencia perjudicial y (2) este aparato debe aceptar cualquier interferencia recibida, incluyendo interferencias que puedan causar un funcionamiento no deseado.

Nota: Este dispositivo ha sido probado y cumple con las limitaciones de un equipo digital Clase B, de acuerdo con la Parte 15 de las Normas FCC. Estos límites están diseñados para permitir una protección razonable contra interferencia dañina en una instalación residencial. Este equipo genera, usa y puede emitir energía de frecuencia radial y, de no ser instalado y utilizado de acuerdo con las instrucciones, puede causar interferencia dañina a las comunicaciones radiales. Sin embargo, no existe garantía de que la interferencia no pueda ocurrir en una instalación particular. Si este

equipo causa una interferencia dañina a la recepción de la radio o la televisión, lo cual se puede determinar encendiendo y apagando el equipo, se recomienda al usuario tratar de corregir la interferencia mediante una o más de las siguientes medidas:

- Orientar nuevamente o reubicar la antena receptora.
- Aumentar la separación entre el equipo y el receptor.
- Conectar el equipo a una salida de un circuito diferente al receptor.
- Consultar a su proveedor o a un técnico de Radio y televisión.

PRECAUCION SOBRE MODIFICACIONES

Cualquier cambio o modificación no expresamente aprobada por la parte responsable del cumplimiento puede anular la autoridad del usuario para operar este reproductor.

Guía rápida para solución de problemas

Esta guía presenta los problemas más comunes y la posible solución. Favor de referirse a la guía antes de acudir al centro de servicio autorizado. Si requiere futura asistencia, favor de contactar la página de soporte técnico www.naxa.com/supportcenter/

Problema	Causa	Solución
No enciende	El adaptador de ca/cc no está conectado	Conectar el adaptador de ca/cc al tomacorriente y a la barra de sonido
	La barra de sonido está en modo de espera	Encender la barra de sonido
No hay salida de audio	El volumen está ajustado al mínimo	Aumentar el nivel del volumen
	Esta activada la función de silencio en la barra de sonido	Desactivar la función de silencio (MUTE) en la barra de sonido
	El dispositivo de audio externo conectado está en modo detenido o de pausa	Iniciar la reproducción del dispositivo de audio externo y
	Baja salida de audio del dispositivo conectado	Aumentar el nivel de la salida de audio del dispositivo conectado
	La fuente de entrada es incorrecta	Verificar la conexión que está usando y seleccionar el modo de fuente correcto

Problema	Causa	Solución
La salida de audio esta distorsionada	El nivel de los sonidos graves del dispositivo de audio externo conectado es demasiado alto	Reducir el nivel de los sonidos graves del dispositivo de audio externo o Reducir el nivel de los sonidos graves de la barra
	El nivel de volumen es demasiado alto	Ajustar el nivel del volumen
El control remoto no opera	El nivel de carga de la batería es demasiado baja	Reemplazar la batería del control remoto
	Hay obstáculos entre el transmisor infrarrojo del control remoto y el sensor infrarrojo de la barra de sonido	Apuntar directamente con el control remoto al sensor ifrarrojo de la barra de sonido
La conexión Bluetooth® no opera	El dispositivo Bluetooth® está demasiado lejos de la barra de sonido	Reducir la distancia entre el dispositivo Bluetooth® y la barra de sonido
	El dispositivo Bluetooth® no ha sido sincronizado	Sincronizar el dispositivo Bluetooth® con la barra de sonido

Especificaciones

Potencia salida bocinas	2 x 3 W rms (6 W rms)
Modo de fuente	Bluetooth® Entrada Óptica Entrada Auxiliar
Rango de operación	Bluetooth® hasta 10 metros Control remoto hasta 5 metros
Características adicional	Diseño compacto
Fuente de alimentación	Barra de sonido: Adaptador de ca/cc Entrada: 100-240 Vca 50/60 Hz Salida: 5.8 Vcc 2 A Control remoto: 3 Vcc batería tipo botón CR2025

Nota: Las especificaciones y diseño de este producto están sujetos a cambios sin previo aviso para mejoras de los mismos.

Soporte

Si tiene problemas con la operación del reproductor, favor de consultar las instrucciones en este manual, así como las últimas noticias, recomendaciones y documentación que puede encontrar en nuestra página web www.naxa.com. Si necesita asistencia futura, favor de contactar al centro de servicio autorizado.

www.naxa.com/supportcenter/

HECHO EN CHINA