

PROSCAN

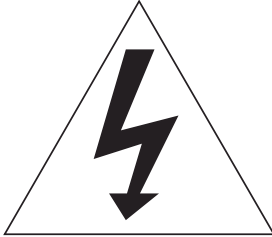
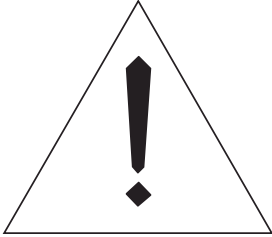
32" Bluetooth Soundbar



MODEL:PSB3200-FD-PL

Please read this instruction manual carefully and keep it for future reference

IMPORTANT SAFETY INSTRUCTIONS

	CAUTION RISK OF ELECTRIC SHOCK DO NOT OPEN	
<p>CAUTION: TO REDUCE THE ELECTRIC SHOCK, DO NOT REMOVE THE COVER (OR BACK). NO USER SERVICEABLE PARTS INSIDE. REFER SERVICING TO QUALIFIED SERVICE PERSONNEL.</p>		



DANGEROUS VOLTAGE: The lightning flash with arrowhead symbol within an equilateral triangle is intended to alert the user to the presence of uninsulated “dangerous voltage” within the product’s enclosure that may be of sufficient magnitude to constitute a risk of electric shock to persons.



ATTENTION: The exclamation point within an equilateral triangle is intended to alert the user to the presence of important operating and maintenance (servicing) instructions in the literature accompanying the appliance.

FCC STATEMENT:

This device complies with part 15 of the FCC Rules. Operation is subject to the following two conditions:

- (1) This device may not cause harmful interference, and
- (2) This device must accept any interference received, including interference that may cause undesired operation. The antenna(s) used for this transmitter must be installed to provide a separation distance of at least 8 ft. from all persons and must not be co-located or operated in conjunction with any other antenna or transmitter.

FCC NOTE:

This equipment has been tested and found to comply with the limits for a Class B digital device, pursuant to Part 15 of the FCC Rules. These limits are designed to provide reasonable protection against harmful interference in a residential installation. This equipment generates, uses and can radiate radio frequency energy and, if not installed and used in accordance with the instructions, may cause harmful interference to radio communications. However, there is no guarantee that interference will not occur in a particular installation. If this equipment does cause harmful interference to radio or television reception, which can be determined by turning the equipment off and on, the user is encouraged to try to correct the interference by one or more of the following measures:

- Reorient or relocate the receiving antenna.
- Increase the separation between the equipment and receiver.
- Connect the equipment into an outlet on a circuit different from that to which the receiver is connected.
- Consult the dealer or an experienced radio/TV technician for help.

To assure continued operation, follow the attached installation instructions and use only shielded cables when connecting to other devices. Changes or modifications not expressly approved by the party responsible for compliance could void the user's authority to operate the equipment.

WARNING: TO PREVENT FIRE OR SHOCK HAZARD, DO NOT EXPOSE THIS UNIT TO RAIN OR MOISTURE.


WARNING: USE UNDER SUPERVISION OF AN ADULT DUE TO LONG CORD. This unit has a long cord that can be easily tripped on or pulled on, causing injury. Please make sure it is arranged so that it will not drape over a tabletop, etc., where it can be pulled on by children or tripped over accidentally.

IMPORTANT SAFETY INSTRUCTIONS

Before using the unit, be sure to read all operating instructions carefully. Please note that these are general precautions and may not pertain to your unit. For example, this unit may not have the capability to be connected to an outdoor antenna.

1. Read these instructions – All the safety and operating instructions should be read before the appliance is operated.
2. Keep these instructions – The safety and operating instructions should be kept for future reference.
3. Heed all warnings – All warnings on the appliance and in the operating instructions should be adhered to.
4. Follow all instructions – All operation and use instructions should be followed.
5. Do not use this apparatus near water – The appliance should not be used near water; for example, near a bath tub, washbowl, kitchen sink, laundry tub, in a wet basement, or near a swimming pool.
6. Clean only with dry cloth – The appliance should be cleaned only as recommended by the manufacturer.
7. Do not block any ventilation openings. Install in accordance with the manufacturer's instructions. The appliance should be situated so that its location or position does not interfere with its proper ventilation. For example, the appliance should not be situated on a bed, sofa, rug, or similar surface that may block the ventilation openings; or placed in a built-in installation, such as a bookcase or cabinet that may impede the flow of air through the ventilation openings.
8. Do not install near any heat sources such as radiators, heat registers, stoves, or other apparatus (including amplifiers) that produce heat.
9. Do not defeat the safety purpose of the polarized or grounding-type plug. A polarized plug has two blades and a third grounding prong. The wide or the third prong are

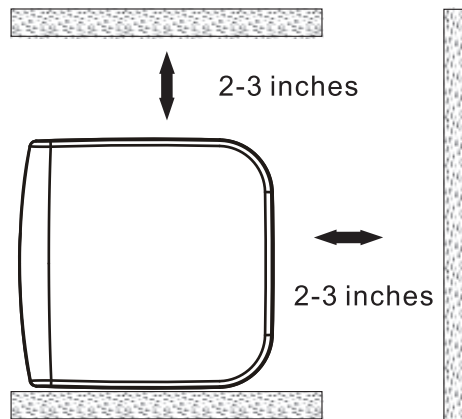
provided for your safety. If the provided plug does not fit into your outlet, consult an electrician for replacement of the obsolete outlet.

10. Protect the power cord from being walked on or pinched particularly at plugs, convenience receptacles, and the point where they exit from the apparatus.
11. Only use attachments / accessories specified by the manufacturer.
12. Use only with a cart, stand, tripod, bracket, or table specified by the manufacturer, or sold with the apparatus. When a cart is used, use caution when moving the cart/apparatus combination to avoid injury from tip-over. 
13. Unplug this apparatus during lightning storms or when unused for long periods of time.
14. Refer all servicing to qualified service personnel. Servicing is required when the apparatus has been damaged in any way, such as power-supply cord or plug is damaged, liquid has been spilled or objects have fallen into the apparatus, the apparatus has been exposed to rain or moisture, does not operate normally, or has been dropped.
15. This appliance should not be exposed to dripping or splashing water and no object filled with liquids such as vases should be placed on the apparatus.
16. Power Sources – The appliance should be connected to a power supply only of the type described in the operating instructions or as marked on the appliance. Do not overload wall outlet.
17. Battery should not be exposed to excessive heat such as sunshine, fire, etc.
18. Replace remote control battery only with the same or equivalent type.
19. Do not attempt to dismantle, open or repair this product yourself. If a problem occurs, seek advice from your local qualified service technician or contact the distributor at the telephone number at the back of this instruction manual.
20. Caution marking and nameplate are located on back or bottom of product.

PLACEMENT AND MOUNTING

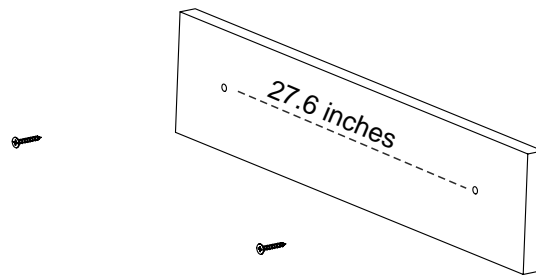
1. Placing the device on table - Ventilation

When placing the Sound Bar on an entertainment center, bookshelf, or any type of enclosed space, be sure to allow at least 2-3 inches of space around the Sound Bar for ventilation. If the Sound Bar is enclosed in a tight space, without ventilation, heat generated from the Sound Bar could produce a potential heat hazard.



Mounting to a wall

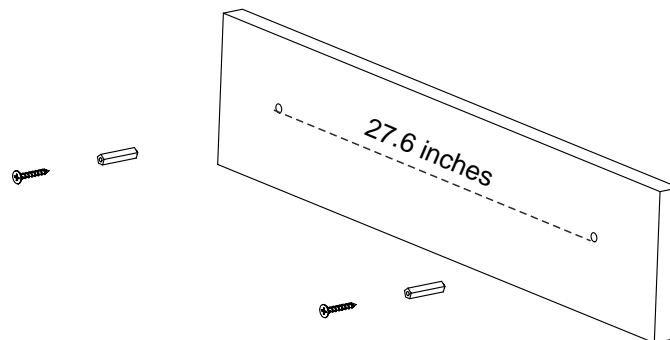
2.1 Mounting to a wooden wall



screws not included

- A. Mark the position of the mounting screws on the wall using a pencil.
- B. Drill the screws directly into the marks that you have made on the wall and leave approx. 0.3 inches length to hook the sound bar.
- C. Put the sound bar onto the mounting screws. Make sure they are firm and stable.

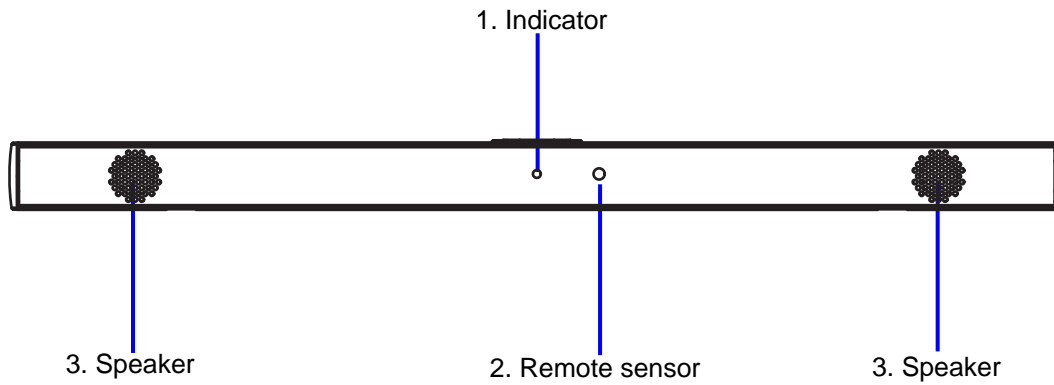
2.2 Mounting to a brick wall



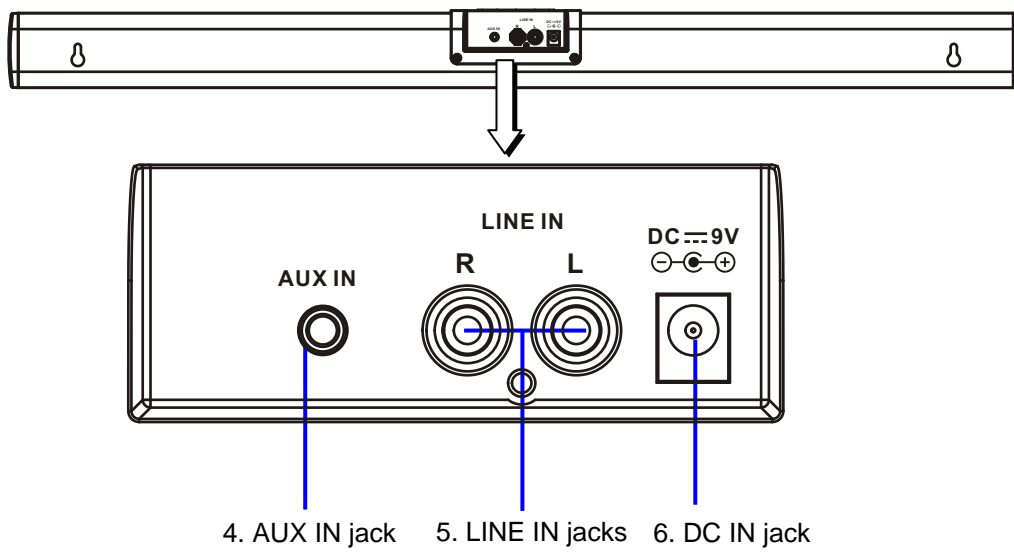
screws and plastic fixing plug are not included

- A. Mark the position of the mounting screws on the wall using a pencil.
- B. Drill 2 holes on wall with a powerful electric drill (not included).
- C. Insert the fixing plug and hammer into the holes.
- D. Secure the screws into the fixing plug and leave approx. 0.3 inches length to hook the sound bar.
- E. Put the sound bar onto the mounting screws. Make sure they are firm and stable.

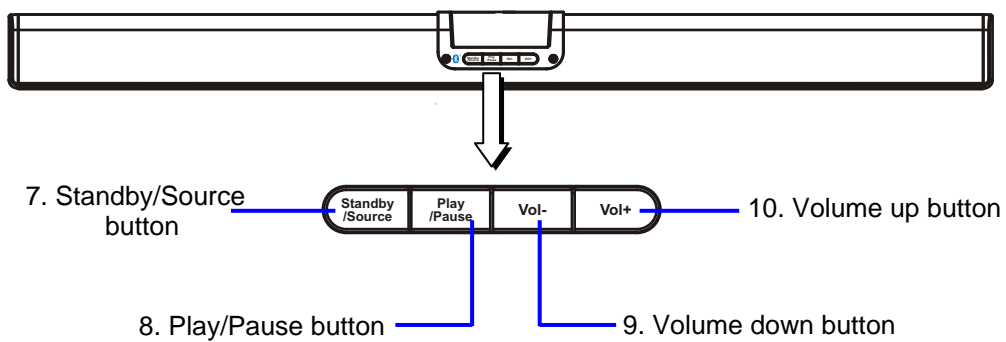
LOCATION OF CONTROLS:
Front View



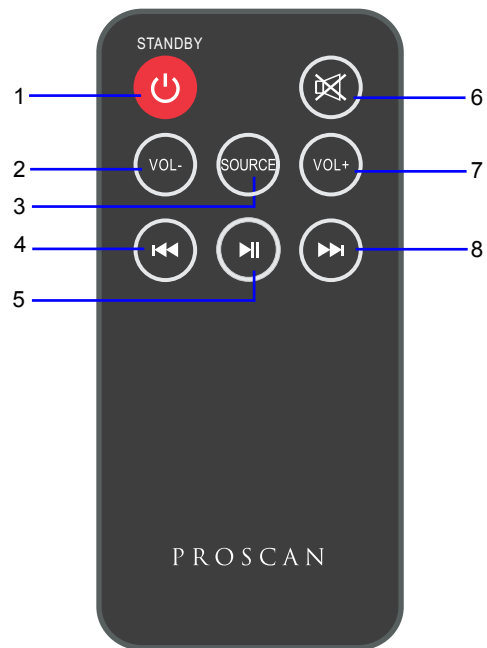
Rear View



Top View



REMOTE CONTROL



1.  STANDBY button

2. VOL - (Volume down) button

3. SOURCE button

4.  (Previous) button

5.  (Play/pause) button

6.  (Mute) button

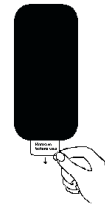
7. VOL + (Volume up) button

8.  (Next) button

BATTERY INSTALLATION OF REMOTE CONTROL

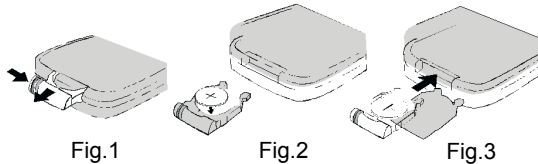
FIRST TIME USE

- Remove and discard the insulation tab as figure on the right.



● Replacing Batteries For Remote Control

1. Push and slide out the battery holder as figure 1 below.
2. Replace the battery with a new CR2025 button cell as the polarity markings on the rear of the Remote Control.
3. Close the battery holder.



BATTERY PRECAUTIONS

Follow these precautions when using a battery in this device:

1. Use only the size and type of battery specified.
2. Be sure to follow the correct polarity when installing the battery as indicated in the battery compartment, a reserved battery may cause damage to the device.
3. Do not mix different types of batteries together (e.g: Alkaline and Carbon-zinc) or old batteries with fresh ones.
4. If the batteries in the device are consumed or the device is not to be used for a long period of time, remove the batteries to prevent damage or injury from possible leakage.
5. Do not try to recharge the battery not intended to be recharged; it can overheat and rupture. (Follow battery manufacturer's instructions.)
6. The batteries shall not be exposed to excessive heat such as sunshine, fire or the like.
7. Clean the battery contacts and also those of the device prior to battery installation.
8. The remote control supplied with a coin/button cell battery. If the coin button cell battery is swallowed, it can cause severe internal burns in just 2 hours and can lead to death. Keep new and used battery away from children. If the Battery compartment does not close securely, stop using the product and keep it away from children. If you think batteries might have been swallowed or placed any part of the body, seek immediate medical attention.




CAUTION

- Danger of explosion if the battery is incorrectly replaced.
- Replace only with the same or equivalent type.

Remote control operation range



- When there is an obstacle between the remote and the transmitter, the unit may not operate.
- When direct sunlight, an incandescent lamp, fluorescent lamp or any other strong light shines on the REMOTE SENSOR of the unit, the operation of the remote may be unstable.

GENERAL OPERATION

1. Connect the AC/DC adapter to the unit and wall outlet. The red indicator will light and the unit is in standby mode.
2. Press and hold the Standby/Source button on the unit or press the  STANDBY button on remote control to turn on the unit. Press the Standby/Source button on the unit or press the SOURCE button on remote control repeatedly to switch to desired mode. The color of indicator will turn to :

Blue.....Bluetooth Mode

Violet.....AUX Mode

3. During Playback:
 - ~ Press the VOL (Volume) + or - buttons on the unit or Remote Control to adjust volume level as desired.
 - ~ Press the  (Mute) button on the Remote Control to turn off the sound. Press again to resume.
4. When finishing listening, press and hold the Standby/Source button on the unit or press the  STANDBY button on remote control to put the unit in standby mode.

BLUETOOTH PAIRING AND CONNECTION

For first time use or re-pairing, pair the unit to an external Bluetooth (BT) device as follows:

1. Power ON the unit as previously explained.
2. Press the Standby/Source button on the unit or press the SOURCE button on remote control repeatedly until the indicator turns Blue, and a voice tone sounds "Bluetooth Mode".
3. Power ON the external BT Device and select Bluetooth to enter into search mode. when " **PROSCAN** " appears, click it to start pairing.
After paired, the indicator will stop blinking and a voice tone sounds "Paired".
(For details on pairing procedures, please refer to the user's manual of your BT Device.)
4. During playing:
 - ~ Press the ►► or ◀◀ button to skip tracks.
 - ~ Press the ►◄ button to pause. Press again to resume normal playing.
 - ~ Press the VOL - or VOL + button to adjust volume level.

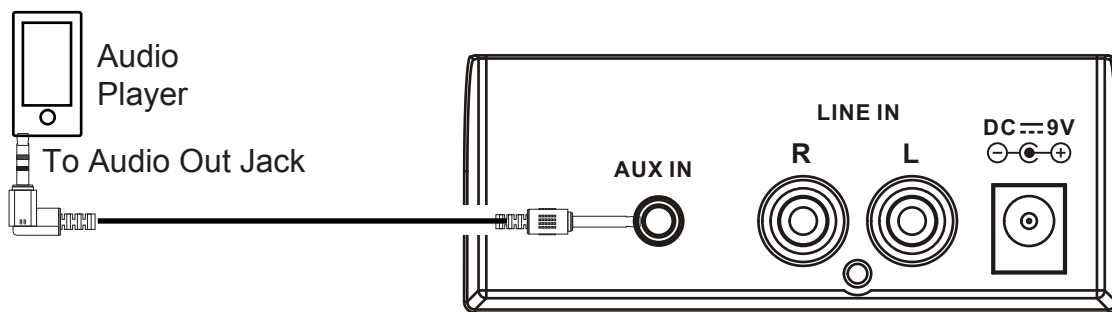
Normal operation after first time pairing:

1. Power on the unit and select the Bluetooth mode as above stated.
2. Activate the Bluetooth function on external Bluetooth device.
3. Wait a few seconds until the unit automatically connect to the external Bluetooth device.
4. Play the music as above stated.

LISTEN THROUGH AUX IN

An external (Auxiliary) audio source (ie., personal CD player or MP3 player) can be connected to this unit and heard through the speakers.

1. Plug one end of the Aux In cable into the AUX IN jack on the rear of the unit.
2. Plug the other end of the Aux In cable into the AUX OUT or LINE OUT jack of the external audio source.



Rear view of the unit

3. Power on the unit as previously explained.
4. Press the Standby/Source button on the unit or press the SOURCE button on the Remote Control repeatedly until the color of Indicator turns to Violet, and a voice tone sounds "AUX Mode".
5. Power on the connected external player and start playing as usual.

NOTE:

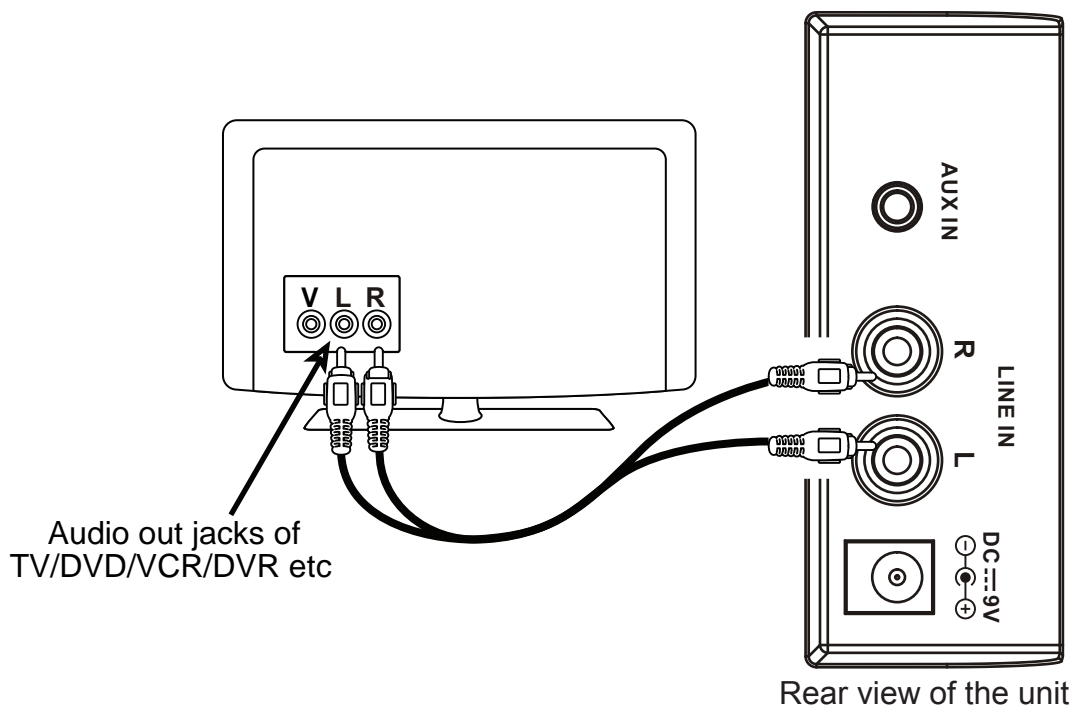
AUX MODE is default to AUX IN function when both AUX IN and LINE IN jacks are connected with external player separately.

LISTEN THROUGH LINE IN

An external Video/Audio player (such as TV, DVD player, VCR, etc.) can be connected to this unit and heard through the speakers.

1. Plug one end of RCA White and Red cable into the LINE IN jacks on the rear of the unit.
2. Plug the other end of RCA White and Red cable into audio out jacks of TV or external device as the illustration shown as below.

NOTE: Make sure to connect to AUDIO OUT. If you connect it into AUDIO IN of external device, you will not hear the sound.




3. Power on the unit as previously explained.
4. Press the Standby/Source button on the unit or press the SOURCE button on the Remote Control repeatedly until the color of Indicator turns to Violet, and a voice tone sounds "AUX Mode".
5. Power on the connected external player and start playing as usual.

NOTE:

AUX MODE is default to AUX IN function, when using LINE IN function, please do not insert the AUX IN cable into the AUX IN jack of the unit.

TROUBLESHOOTING GUIDE

PROBLEM	POSSIBLE CAUSE	POSSIBLE SOLUTION
No power	Power AC/DC Adapter not connected	Connect the power AC/DC adapter to the unit or wall outlet.
	The unit is in standby mode	Press and hold Standby/Source button on the unit or press  button on remote control to turn on the unit from Standby mode.
No sound	Volume in minimum position	Raise volume level by pressing the VOL (Volume) + button.
	The paired/connected device is not in playing mode	Play music/movie in the paired/connected device as usual and make sure the volume level of it is in high level.
	Input source incorrect	Press the Standby/Source button on the unit or SOURCE button on the Remote Control repeatedly to set the input source to the desired mode.
Sound distortion/rattle	Volume level too high	Reduce the volume level by pressing the VOL (Volume) - button. Reduce the volume level of the paired/connected device.
Remote Control not working	The battery is weak	Replace with new battery.
Bluetooth reception failure	The external device is too far from the unit	Put the external BT device close to the unit.
	Have not paired	Pair the unit with the BT Device as the procedures stated in this manual.

GENERAL SPECIFICATIONS

Power Input.....AC 100-240V~; 50/60Hz
Power Output.....9V --- 1300mA \ominus \oplus
Audio Power.....5W x 2
Bluetooth Effective Range in Open Area.....(tested in open area).....Up to 32 feet
Remote Effective Range.....Up to 16 feet

ACCESSORIES

1 x AC/DC Adapter
1 x Remote Control
1 x AUX IN Cable
1 x LINE IN Cable
1 x User's Manual

**SPECIFICATIONS AND ACCESSORIES ARE SUBJECT TO CHANGE
WITHOUT NOTICE**



is a trademark on a registered trademark of Bluetooth SIG Inc. All other trademarks and trade names are those of their respective owners.

LIMITED PRODUCT WARRANTY

This quality product is warranted to be free from manufacturer's defects in material and workman-ship, provided that the unit is used under the normal operating conditions intended by the manufacturer.

Should you have any problem with this product, please and it is highly recommended to visit our website at www.curtisint.com before you take any other steps as we have additional copies of instruction manuals, operating manuals and trouble shooting tips on our website which gives you the answer on most of the questions you could have in operating the unit.

TERMS OF WARRANTY

C.I. Service Dept. warrants this product to be free from defects in materials and workmanship for 90 days on parts and 90 days on labor. If you originally purchased your product more than 90 days ago, a repair fee may apply.

Nothing within this warranty shall imply that C.I. will be responsible or liable for any damage to any items placed in this product, whether due to any defect of the product, or its use, whether proper or improper.

EXCLUSIONS

Save as herein provided, C.I. Service Dept. (Canada) or C.I. Service Dept. (USA), there are no other warranties, conditions, representations or guarantees, express or implied, made or intended by C.I. or its authorized distributors and all other warranties, conditions, representations or guarantees, including any warranties, conditions, representations or guarantees under any Sale of Goods Act or like legislation or statute is hereby expressly excluded. Save as herein provided, C.I. Service Dept. (Canada) or C.I. Service Dept. (USA), shall not be responsible for any damages to persons or property, including the unit itself, howsoever caused or any consequential damages arising from the malfunction of the unit and by the purchase of the unit, the purchaser does hereby agree to indemnify and save harmless C.I. from any claim for damages to persons or property caused by the unit.

TO OBTAIN REPAIRS UNDER THE TERMS OF THIS WARRANTY

1. The original purchaser must present a copy of the original bill of sale and the service warranty card.
2. Any alterations, abuse, misuse, battery corrosion or accidental damage voids the warranty.
3. The warranty does not cover cabinets and accessories.
4. No warranty or insurance contained or set out shall apply when damage or repair is caused by power failure; damage in transit or when moving the unit; improper power supply; use for commercial or industrial purposes; service calls resulting in customer education, etc.
5. The defective product should be mailed to:

Canada
C.I. Service Dept.
315 Attwell Drive
Toronto, ON
M9W 5C1

U.S.A
Curtis International Ltd
c/o Lotus International Company
6880 Commerce Blvd.
Canton MI 48187
U.S.A.

For service assistance and product information, please call: 1-800-968-9853.

If mailing the product, the freight must be prepaid and a money order for \$7.00 should be included to cover the cost of insurance and the return of the product.

6. C.I. reserves the right to repair or replace the parts which have become defective.

Model No. _____ Date Purchased _____ Serial No. _____