

singing machine  classic

**Instruction Manual**  
**Manual De Instrucción**  
**Manuel D'instruction**

---

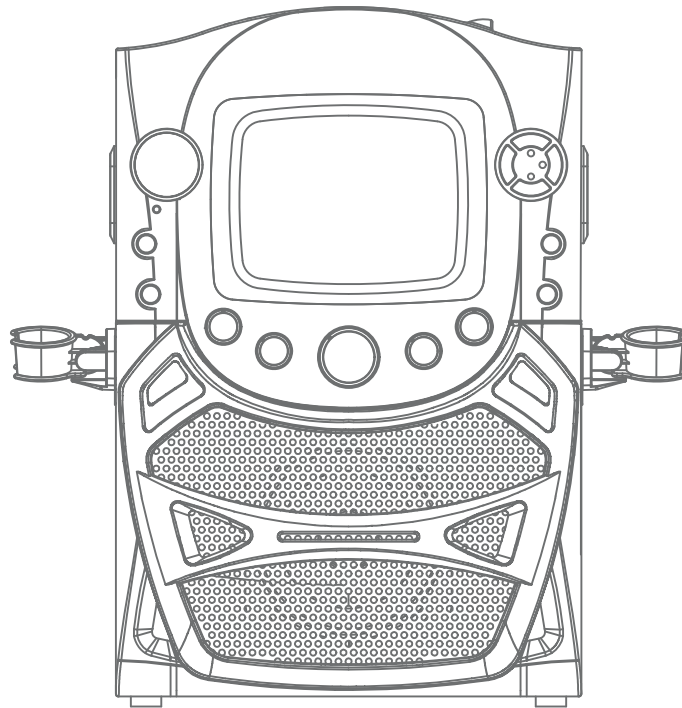
# STVG569BT

Compact Disc Graphics  
with Built in TV Karaoke Center

Disco Compacto + Gráficos  
Con El Central De Karaoké En La TV

Disque Compact + Graphiques  
Avec TV Centre Karaoke Encastre

Please read before using this unit.  
Lea antes de usar esta unidad.  
Veuillez lire avant d'utiliser cet appareil.



---

The Singing Machine® is a registered trademark of The Singing Machine Co., Inc.  
The Singing Machine® es una marca registrada de The Singing Machine Co., Inc.  
The Singing Machine® est une marque déposée de The Singing Machine Co., Inc.

# WARNINGS

**WARNING:** TO REDUCE THE RISK OF FIRE OR SHOCK HAZARD, DO NOT EXPOSE THIS PRODUCT TO RAIN OR MOISTURE.



**CAUTION:** TO PREVENT THE RISK OF ELECTRIC SHOCK, DO NOT REMOVE COVER OR BACK. NO USER-SERVICEABLE PARTS INSIDE. REFER SERVICING TO QUALIFIED PERSONNEL.

The CAUTION marking is located on the rear panel.



This symbol is intended to alert you to the presence of uninsulated dangerous voltage within the product's enclosure that might be of sufficient magnitude to constitute a risk of electric shock. Do not open the product's case.



This symbol is intended to inform you that important operating and maintenance instructions are included in the literature accompanying this product.

## DRIPPING WARNING

The product shall not be exposed to dripping or splashing and that no objects filled with liquids, such as vases, shall be placed on the product.

## VENTILATION WARNING

The normal ventilation of the product shall not be impeded for intended use.

**Warning:** Changes or modifications to this unit not expressly approved by the party responsible for compliance could void the user's authority to operate the equipment.

## SAFETY CERTIFICATION

This device is made and tested to meet safety standards of the FCC, requirements and compliance with safety performance of the U.S. Department of Health and Human Services, and also with FDA Radiation Performance Standards 21 CFR Subchapter J.

Main plug is used as disconnect device and it should remain readily operable during intended use. In order to disconnect the apparatus from the mains completely, the main plug should be disconnected from the main socket outlet completely.

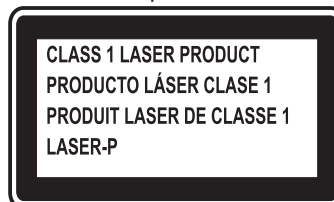
## Warnings:

- This CD player employs a laser light beam. Only a qualified service person should remove the cover or attempt to service this device, due to possible eye injury.
- The use of controls, adjustments, or procedures other than those specified herein might result in hazardous radiation exposure.
- The apparatus shall be used in an open area.

## CAUTION

This compact disc player is classified as a CLASS 1 LASER product.

The CLASS 1 LASER PRODUCT label is located on the rear panel.



## CAUTION!

Invisible laser radiation when open and inter locks defeated. Avoid exposure to beam.

## FCC IMPORTANT

Since CD circuitry may cause interference to other radio tuners nearby, switch this unit off when not in use or move it away from the affected radio tuner.

This device complies with part 15 of the FCC rules, operation is subject to the following two conditions: (1) this device may not cause harmful interference, and (2) this device must accept any interference received, including interference that may cause undesired operation.

## RF Exposure Statement

To maintain compliance with FCC's RF Exposure guidelines, This equipment should be installed and operated with minimum distance between 20cm the radiator your body: Use only the supplied antenna.

## CAN ICES-3(B)/NMB-3(B)

Class II equipment symbol



This symbol indicates that the unit has a double insulation system.

## WARNINGS

NOTE: This digital apparatus does not exceed the Class B limits for radio noise emissions from digital apparatus as set out in the Radio Interference Regulations of Industry Canada. These limits are designed to provide reasonable protection against harmful interference in a residential installation. This equipment generates, uses and can radiate radio frequency energy and, if not installed and used in accordance with the instructions, may cause harmful interference to radio communications. However, there is no guarantee that interference will not occur in a particular installation. If this equipment does cause harmful interference to radio or television (which can be determined by turning the equipment off), the user is encouraged to try to correct the interference by one or more of the following measures:

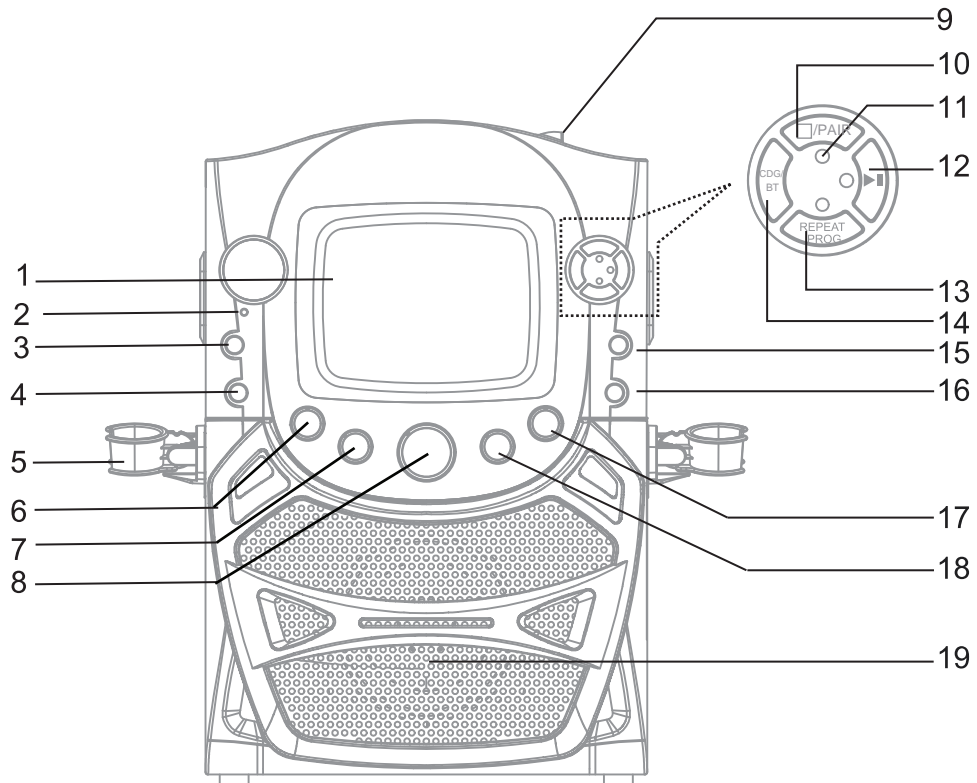
- Reorient or relocate the receiving antenna.
- Increase the separation between the equipment and receiver.
- Connect the equipment into an outlet on a circuit different from that to which the receiver is connected.
- Consult the dealer or an experienced radio / TV technician for help.

## IMPORTANT SAFETY INSTRUCTIONS

1. Read these instructions.
2. Keep these instructions.
3. Heed all warnings.
4. Follow all instructions.
5. Do not use this apparatus near water.
6. Clean only with dry cloth.
7. Do not block any ventilation openings. Install in accordance with the manufacturer's instructions.
8. Do not install near any heat sources such as radiators, heat registers, stoves, or other apparatus (including amplifiers) that produce heat.
9. Do not defeat the safety purpose of the polarized or grounding-type plug. A polarized plug has two blades with one wider than the other. A grounding type plug has two blades and a third grounding prong. The wide blade or the third prong are provided for your safety. If the provided plug does not fit into your outlet, consult an electrician for replacement of the obsolete outlet.
10. Protect the power cord from being walked on or pinched particularly at plugs, convenience receptacles, and the point where they exit from the apparatus.
11. Only use attachments/accessories specified by the manufacturer.
12. Use only with the cart, stand, tripod, bracket, or table specified by the manufacturer, or sold with the apparatus. When a cart is used, use caution when moving the cart/apparatus combination to avoid injury from tip-over.
13. Unplug this apparatus during lightning storms or when unused for long periods of time.
14. Refer all servicing to qualified service personnel. Servicing is required when the apparatus has been damaged in any way, such as power-supply cord or plug is damaged, liquid has been spilled or objects have fallen into the apparatus, the apparatus has been exposed to rain or moisture, does not operate normally, or has been dropped.



## CONTROL LOCATIONS



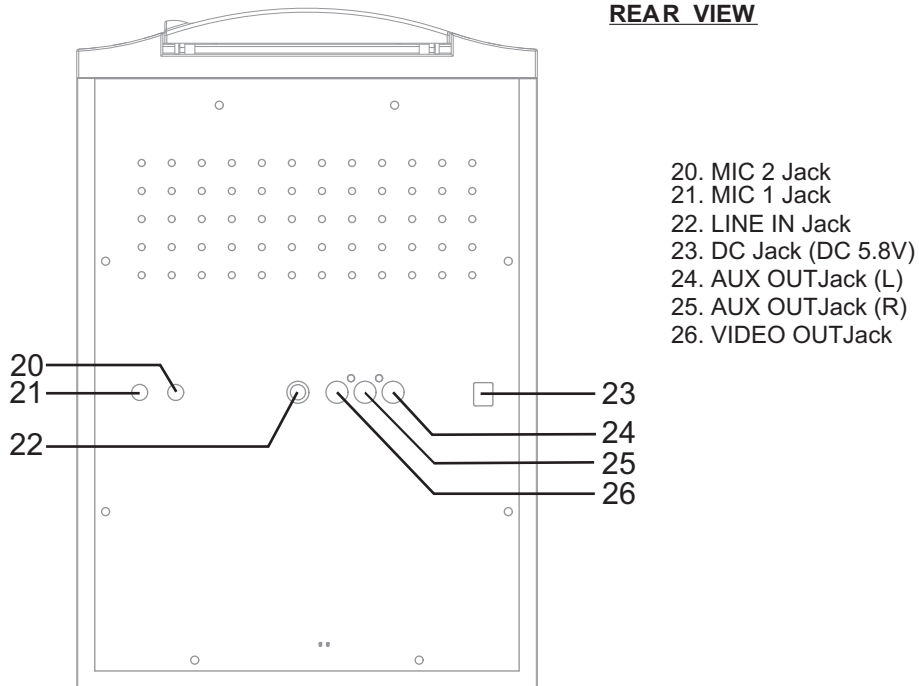
### FRONT VIEW

- |                          |                           |
|--------------------------|---------------------------|
| 1. Monitor               | 11. PAIR LED              |
| 2. Power indicator       | 12. PLAY/PAUSE button     |
| 3. Power ON/OFF button   | 13. REPEAT/PROGRAM button |
| 4. Monitor ON/OFF button | 14. CDG/BT button         |
| 5. Mic Holder            | 15. SKIP ►► button        |
| 6. MIC VOLUME control    | 16. SKIP ◀◀ button        |
| 7. A.V.C. control        | 17. ECHO control          |
| 8. MASTER VOLUME control | 18. BALANCE control       |
| 9. CD Door               | 19. Loudspeaker           |
| 10. ■(STOP)/PAIR button  |                           |

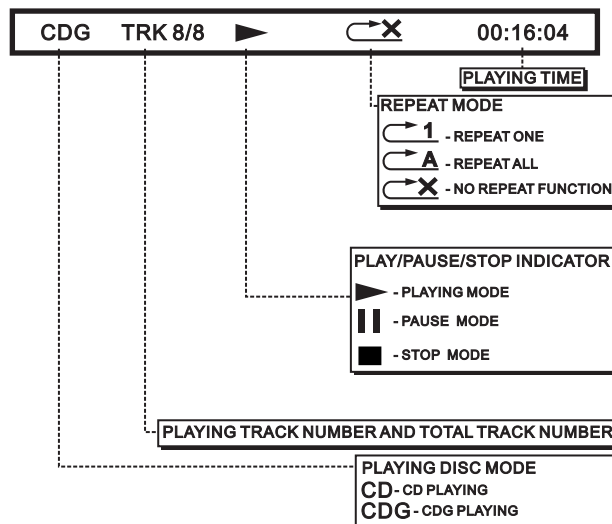
## CONTROL LOCATIONS

ENGLISH

### REAR VIEW



### DISPLAY



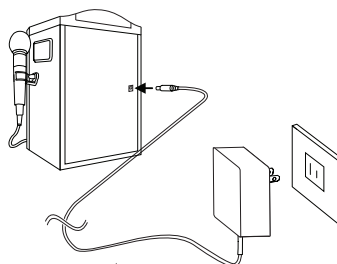
## MAKING THE CONNECTIONS

### CONNECTING POWER

Insert the DC plug of the power adapter into the DC 5.8 V jack of the unit. You can power the system from a standard AC outlet by using the supplied Power Adapter (The adapter operates on AC 100V-240V/50Hz-60Hz  $\ominus$   $\oplus$ ).

**CAUTION:** - The included AC adaptor is for use with this unit only. Do not use it with other equipment.

- When the adaptor is plugged in, the apparatus is not completely disconnected from the main, even when the power is turned off.



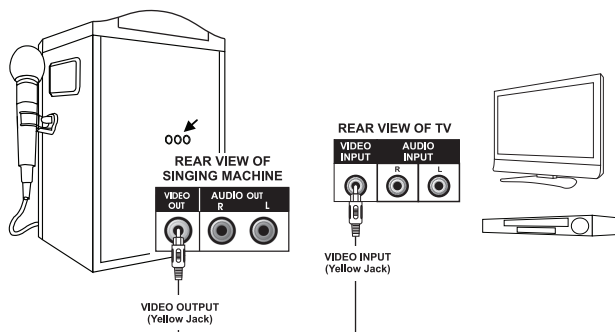
### CONNECTING TO YOUR TV OR DVD PLAYER

Your Singing Machine is designed to connect to your TV the same way you would connect most video cameras, DVD players or video game consoles.

We have provided RCA cables to connect your unit to a TV, DVD player, video device or an external audio/sound system. The RCA cables have three connections at each end (white and red are for left and right audio connections and the yellow is for video connection).

Please follow the steps below to display CD+G lyrics on the TV screen:

- (1) Locate the multi-colored RCA cables
- (2) Connect video cable (yellow) to the video out of the back of the Singing Machine
- (3) Connect the other end of the video cable (yellow) to the video input on your TV.



### SELECTING YOUR SINGING MACHINE AS YOUR SOURCE/INPUT

Selecting your Singing Machine as a source/input on your TV is very similar to connecting a DVD or Satellite system.

We've listed below the most common ways of selecting the source from your TV or DVD Player:

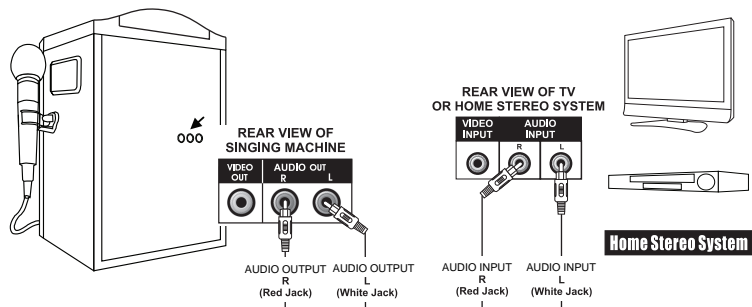
- (1) In the set up menu of the TV or DVD player there may be an option for "Input Select" where you can choose between "Cable/Ant., Video 1, Video 2, etc." as the input source.
- (2) Look for a TV channel between the highest and lowest on your TV or DVD player (i.e. AUX, EXT, LINE 1 or LINE IN)
- (3) Your remote control for either your TV or DVD player may have source input selections as well as detailed below:  
"VIDEO, VIDEO 1, GAME, AUX, EXT or LINE-IN." Choosing one of those in most cases should display the lyrics from your Singing Machine as well.

## MAKING THE CONNECTIONS

### AUDIO CONNECTION

Please follow the steps below to connect the unit to your TV or home stereo system:

- (1) Locate the multi-colored RCA cables.
- (2) Connect audio cables (White and Red) to the Audio Out (White-Left and Red-Right) of the back of the Singing Machine.
- (3) Connect the other end of the audio cables to the audio/auxiliary input on your TV or home stereo system.



## CD OR CD+G OPERATION

This unit is designed to play CDs and CD+Gs bearing the identification logo respectively. If the disc does not conform to the standard, it may not play properly.



### TURNING POWER ON/OFF

- To turn on the unit, press the ON/OFF button, the ON/OFF LED Indicator will light up.
- To turn it off, press the ON/OFF button again, the ON/OFF LED Indicator will turn off.

### LOADING A DISC

- Open the CD door, place a CD or CD+G disc in the compartment with the printed side facing upward and the shiny side facing down. Press the CDG/BT button to switch to CD mode.
- Gently close the CD door. The monitor will display total number of tracks. (If no disc is loaded, it will display "NO DISC".)

**Note:** - Never place anything except a compact disc in the disc tray. Foreign objects can damage the unit.  
- Only place one disc on the disc tray at a time.

(Refer to the Trouble Shooting Guide if a disc is loaded but the total tracks do not appear.)

### PLAY/PAUSE

- Adjust MASTER VOLUME control on your unit, TV or audio system to a comfortable level.
- To start playing, press the PLAY/PAUSE button. The first track and total number of tracks will be displayed on the monitor.
- To temporarily stop playing, press the PLAY/PAUSE button. The PAUSE indicator will be displayed.
- To resume play, press this button again.

**Note:** - Pressing pause repeatedly when a CD+G is playing may cause distorted lyrics on your TV screen. Any distortion will remain on the TV screen until it is refreshed either during an instrumental break or the song is stopped and/or the song is started from the beginning.

### STOP

If the STOP button is pressed in the course of playing, the disc will cease to play. (The STOP indicator will be shown on the window.)

### MASTER VOLUME

Rotate to the MASTER VOLUME control to obtain the desired sound level.

**Note:** The MIC Volume must be adjusted simultaneously with the master volume level.

### SKIP (For both CD and CDG discs)

- During STOP mode, you can skip forward or back to your desired track number by pressing the SKIP buttons (◀◀ -SKIP- ▶▶).
- To resume playing the selected song, press PLAY/PAUSE button.

### SEARCH (For audio CD disc only)

When playing any audio CD, press and hold the SKIP button (◀◀ -SKIP- ▶▶). The CD will search at high speed in the forward or backward direction. Normal play will continue when you release the button.

### REPEAT

- To repeat the track currently playing, press the REPEAT button once. The REPEAT ONE (↻1) indicator will light up.
- To repeat all tracks, press the REPEAT button twice. The REPEAT ALL (↻A) indicator will light up. Press the PLAY/PAUSE button to begin.
- To clear the REPEAT function, press the REPEAT button again. The NO REPEAT (↻X) indicator will turn on.



## CD OR CD+G OPERATION

---

### PROGRAM

- Use this button to program and play back songs in a preselected order.
- Step 1: Programming should be done in the stop mode only. Press the PROGRAM button, **PROG SET 00:XX** Here " **XX** " stands for the total number of tracks, and it is blinking on the display.
- Step 2: Press the SKIP buttons ( **◀◀ - SKIP - ▶▶** ) to select a desired track.
- Step 3: Press PROGRAM button to confirm entry. You can repeat the same steps up to a maximum of 24 tracks.
- Step 4: Press PLAY button when you have completed programming and you are ready to start singing.
- Press the STOP button twice to clear all the programmed entries.

### MONITOR ON/OFF

- Press MONITOR ON/OFF button to ON if you want to display a CDG lyrics on the Singing Machine's monitor.

### KARAOKE FUNCTIONS

Sing along with the music by plugging in the provided microphone into either one of the microphone jacks on the unit.

- \* **Warning - Tapping or dropping the microphone while it is on can permanently damage your microphone. Resist the urge to swing the microphone around by the cord!**

### MIC VOLUME

Adjust the MIC VOLUME control to a desired level and obtain the best performance.

- \* **Warning - To avoid Microphone feedback please avoid being too close to the speaker.**

### ECHO

Adjust the ECHO control to enhance your voice for a concert hall effect.

### BALANCE

Adjust the BALANCE control to separate the prerecorded singer's voice and music when using a multiplex karaoke disc.

### AUTO VOICE CONTROL (MULTIPLEX DISCS ONLY)

AUTO VOICE CONTROL can be activated by rotating the Auto Voice Control knob to right. The vocals on the multiplex recording will be muted when using the microphone. When the microphone is not in use the pre-recorded vocals will resume on a multiplex disc.

## BLUETOOTH OPERATION

---

Press the CDG/BT Button to switch to Bluetooth mode, "BLUE TOOTH" will appear on display and the PAIR indicator flashes, after a few seconds, a sound will be heard, now it is in pairing and searching mode, start the Bluetooth function on the external device, the pairing name "Singing Machine" will appear, select it and make pairing, the unit will send a piece of sound, the "PAIR" indicator stop blinking after successful connection.

During playing, press the NEXT or PREVIOUS button to skip to the track desired, press PLAY/PAUSE button to pause, press again to resume. Press PAIR button to disconnect the current connection, press again to reconnect again.

NOTE: The unit will automatically connect with the device connected before after the Bluetooth function is switched on.

## LINE IN OPERATION

Your Singing Machine is designed to connect your favorite Digital Music device (e.g. iPod/MP3 player, etc.) You can connect your device by using an appropriate cable ( $\varnothing$ 3.5mm audio cable not included).

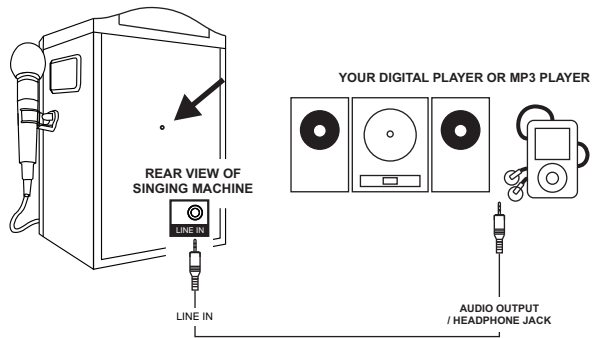
LINE IN function can always be switched ON once the audio cable is plugged.

**Note:** Monitor will be turned off when the audio cable is plugged.

### MASTER VOLUME

Rotate to the MASTER VOLUME control to obtain the desired sound level.

\* **Warning - To avoid the over-burst amplified volume output or possible over-tuned sound crack, you are recommended to adjust the Digital Music device volume to one third or lower at the beginning.**



## TROUBLE SHOOTING GUIDE

If you have followed the instructions and are having difficulty operating the unit, locate the PROBLEM in the left column below. Check the corresponding POSSIBLE CAUSE column to locate and remedy the problem.

PROBLEM	POSSIBLE CAUSE	SOLUTION
No power when POWER is on.	No power plug connection at the AC outlet.	Insert the power plug into the AC outlet.
No power when plugged in.	The AC outlet may not have power.	Check the outlet with a working lamp or other electrical appliance.
No sound.	Volume control is set to minimum.	Turn up the volume.
	Audio cable has not been removed from the LINE IN jack.	Removed Audio cable from LINE IN jack.
	Volume control on TV set/PA system is set to minimum.	Turn up the volume at TV/PA system.
	TV set/PA system power is OFF.	Turn on the power at TV/PA system.
	AUDIO OUT jacks not connected.	Follow directions 'Audio Connection' page.
CD PLAYER Cannot work normally or "PD" is displayed.	Disc is inserted upside down.	Insert disc correctly.
	Disc is dirty.	Wipe clean with soft cloth.
	Disc is scratched.	Use a new disc.
	Disc is warped.	Use a new disc.
	A nonstandard disc is inserted.	Only use discs bearing standard logo.
	Lens is dirty.	Use a CD lens cleaner.
	Moisture has formed inside the CD deck.	Wait about 20 to 30 minutes to let it dry out.
	Singing Machine needs to be reset.	Disconnect the machine from power source for 30 seconds.

## TROUBLE SHOOTING GUIDE

PROBLEM	POSSIBLE CAUSE	SOLUTION
No sound - If audio is going through TV or home stereo.	Source Selection on your TV, or home stereo is not set properly.	Select AUX IN as the source for your TV or home stereo.
	Improper Connection to stereo system or PA.	Follow direction on 'Audio Connection' page for connecting to a home stereo system.
No song lyrics appear on the TV screen.	Video cable is not connected properly to the TV.	Connect the video cable to the Singing Machine's VIDEO OUT and to the TV VIDEO IN.
	Source selector on TV is not set to VIDEO.	Using your TV Remote to select VIDEO input.
	TV does not have video line input.	Connect from VIDEO OUT of the system to the VIDEO IN on your RF Modulator and then to the TV cable input. Check the disc to be sure it is a CDG.
	A CDG is loaded but the CDG indicator is not lit.	Check disc to be sure it is clean.
No sound from mic.	Mic volume control.	Adjust mic volume to max, and then re-adjust to a comfortable level.
	Mic is off.	Turn on mic with the ON/OFF switch located on the microphone.
The Bluetooth device can not be paired	Bluetooth on your device not activated	Activate the Bluetooth on your device
	Bluetooth function is cut off	Press the ■ (stop) /PAIR button to restart Bluetooth pairing mode

## SPECIFICATIONS

ENGLISH

<b>AUDIO SECTION:</b> OUTPUT POWER (MAXIMUM) OUTPUT IMPEDANCE	3.5 WATTS (RMS) 3 OHMS
<b>CD PLAYER SECTION:</b> FREQUENCY RESPONSE SIGNAL - TO - NOISE RATIO NUMBER OF PROGRAMS SAMPLING SYSTEM	100 Hz - 20 kHz 50 dB 24 STEPS RANDOM ACCESS PROGRAMMING 8 TIMES OVER SAMPLING
<b>MONITOR SECTION</b>	5.5" BLACK AND WHITE MONITOR NTSC SYSTEM 220 LINE RESOLUTION
<b>LINE IN SECTION</b>	Ø3.5mm stereo headphone jack
<b>MICROPHONE</b>	-73dB 600 OHMS IMPEDANCE WITH Ø6.3mm DYNAMIC MICROPHONE
<b>POWER SECTION</b>	DC 5.8V --- 2A ⊖ ⊕
<b>DIMENSIONS (W x D x H)</b>	9.1 x 8.8 x 13.6 inches / 23.1 x 22.4 x 34.5 cm
<b>WEIGHT</b>	7.9 lbs / 3.6 kgs

Specifications are typical, individual units might vary. They are subject to continuous improvement without notice and without incurring any obligation.

The Singing Machine Company, Inc.

---

6301 NW 5th Way, Suite 2900, Fort Lauderdale, FL 33309, USA © 2014

PRINTED IN CHINA  
IMPRESO EN CHINA  
IMPRIMÉ EN CHINE

**VISIT OUR WEBSITE [www.singingmachine.com](http://www.singingmachine.com)**  
**VISITE NUESTRO SITIO INTERNET [www.singingmachine.com](http://www.singingmachine.com)**  
**VISITE NOTRE SITE INTERNET [www.singingmachine.com](http://www.singingmachine.com)**