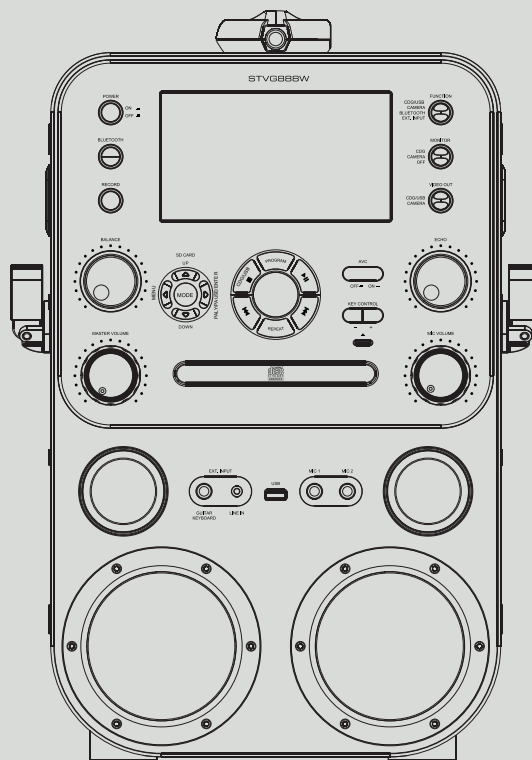




singing machine
classic

Instruction Manual

STVG888W

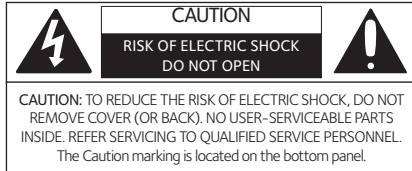


www.singingmachine.com

The Singing Machine® is a registered trademark of The Singing Machine Co., Inc.



Warnings



DANGEROUS VOLTAGE: The lightning flash with arrowhead symbol within an equilateral triangle is intended to alert the user to the presence of uninsulated dangerous voltage within the product's enclosure that may be of sufficient magnitude to constitute a risk of electric shock to persons.



ATTENTION: The exclamation point within an equilateral triangle is intended to alert the user to the presence of important operating and maintenance (servicing) instructions in the literature accompanying this product.



DANGER: This symbol is intended to alert the user to the risk of exposure to invisible and hazardous laser radiation if the cover or back is opened, the interlock fails or is defeated. Direct exposure to the beam may damage your eyesight.

DRIPPING WARNING: This product shall not be exposed to dripping or splashing, and no objects filled with liquids, such as vases, shall be placed on the product.

VENTILATION WARNING: The normal ventilation of the product shall not be impeded for intended use.

SAFETY VERIFICATION: This device is made and tested to meet safety standards of the FCC, requirements and compliance with safety performance of the U.S. Department of Health and Human Services and also with FDA Radiation Performance Standards 21 CFR Subchapter.

Class II equipment symbol.
This symbol indicates that the unit has a double insulation system.



CAUTION: TO PREVENT ELECTRIC SHOCK, MATCH WIDE BLADE OF PLUG TO WIDE SLOT AND FULLY INSERT.

WARNING: TO PREVENT FIRE OR SHOCK HAZARD, DO NOT EXPOSE THIS UNIT TO RAIN OR MOISTURE.

FCC WARNING: Changes or modifications not expressly approved by the party responsible for compliance could void your authority to operate the equipment.

This device complies with part 15 of the FCC Rules. Operation is subject to the following two conditions: (1) This device may not cause harmful interference, and (2) this device must accept any interference received, including interference that may cause undesired operation.

NOTE: This equipment has been tested and found to comply with the limits for a Class B digital device, pursuant to part 15 of the FCC Rules. These limits are designed to provide reasonable protection against harmful interference in a residential installation. This equipment generates, uses and can radiate radio frequency energy and, if not installed and used in accordance with the instructions, may cause harmful interference to radio communications. However, there is no guarantee that interference will not occur in a particular installation. If this equipment does cause harmful interference to radio or television reception, which can be determined by turning the equipment off and on, the user is encouraged to try to correct the interference by one or more of the following measures:

- Reorient or relocate the receiving antenna.
- Increase the separation between the equipment and receiver.
- Connect the equipment into an outlet on a circuit different from that to which the receiver is connected.
- Consult the dealer or an experienced radio/TV technician for help.
- The rating information is located at the bottom of the unit.

LASER SAFETY: This unit employs a laser. Only qualified service personnel should attempt to service this device due to possible eye injury.

CAUTION: USE OF CONTROLS, ADJUSTMENTS OR PERFORMANCE PROCEDURE HEREIN MAY RESULT IN HAZARDOUS RADIATION EXPOSURE.

INDUSTRY CANADA NOTICE:

This device complies with Industry Canada license-exempt RSS standard(s). Operation is subject to the following two conditions:

1. This device may not cause interference, and
2. This device must accept any interference, including interference that may cause undesired operation of the device.

CAN ICES-3(B)/NMB-3(B)



Important Safety Information

1. Read these Instructions.
2. Keep these Instructions.
3. Heed all Warnings.
4. Follow all Instructions.
5. Do not use this apparatus near water.
6. Clean only with a dry cloth.
7. Do not block any of the ventilation openings. Install in accordance with the Manufacturer's instructions.
8. Do not install near any heat sources such as radiators, heat registers, stoves, or other apparatus (including amplifiers) that produce heat.
9. Do not defeat the safety purpose of the polarized or grounding-type plug. A polarized plug has two blades with one wider than the other. A grounding type plug has two blades and a third grounding prong. The wide blade or the third prong are provided for your safety. When the provided plug does not fit into your outlet, consult an electrician for replacement of the obsolete outlet.
10. Protect the power cord from being walked on or pinched particularly at plugs, convenience receptacles, and the point where they exit from the apparatus.
11. Only use attachments/accessories specified by the manufacturer.
12. Use only with a cart, stand, tripod, bracket, or table specified by the manufacturer, or sold with the apparatus. When a cart is used,

use caution when moving the cart/apparatus combination to avoid injury from tip-over.

PORTABLE CART WARNING
(symbol provided by RETAC)

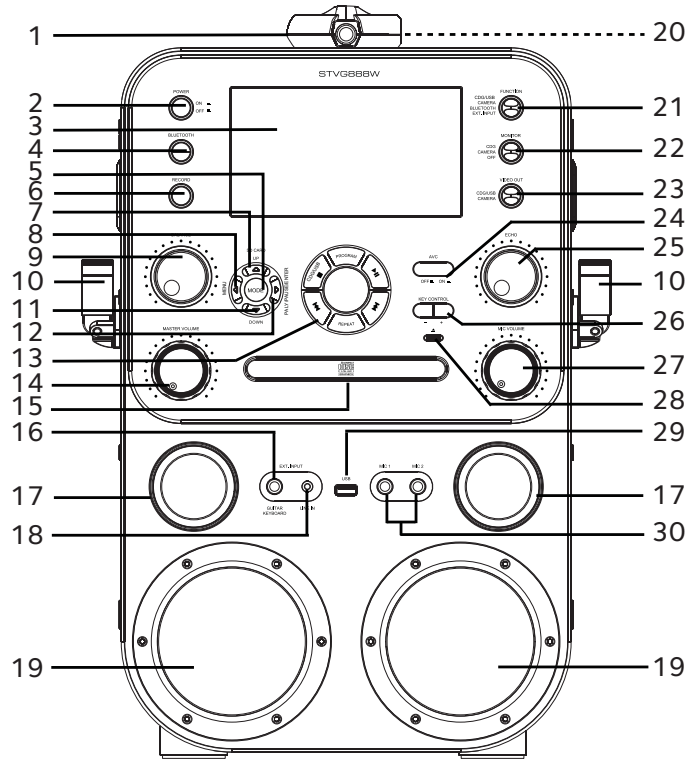


13. Unplug this apparatus during lightning storms or when unused for long periods of time.
14. Refer all servicing to qualified service personnel. Servicing is required when the apparatus has been damaged in any way, such as power-supply cord or plug is damaged, liquid has been spilled or objects have fallen into the apparatus, the apparatus has been exposed to rain or moisture, does not operate normally, or has been dropped.
15. **WARNING:** To reduce the risk of fire or electric shock, do not expose this apparatus to rain or moisture. Do not place objects filled with water, such as a vase, on the apparatus.
16. The AC mains plug is used as the power disconnect device and it should remain readily accessible and operable during intended use. In order to completely disconnect the apparatus from power, the mains plug should be completely removed from the AC outlet socket.
17. **CAUTION:** To reduce the risk of fire or explosion, do not expose batteries to excessive heat such as sunshine, fire or other heat sources.



Location of Controls

Front

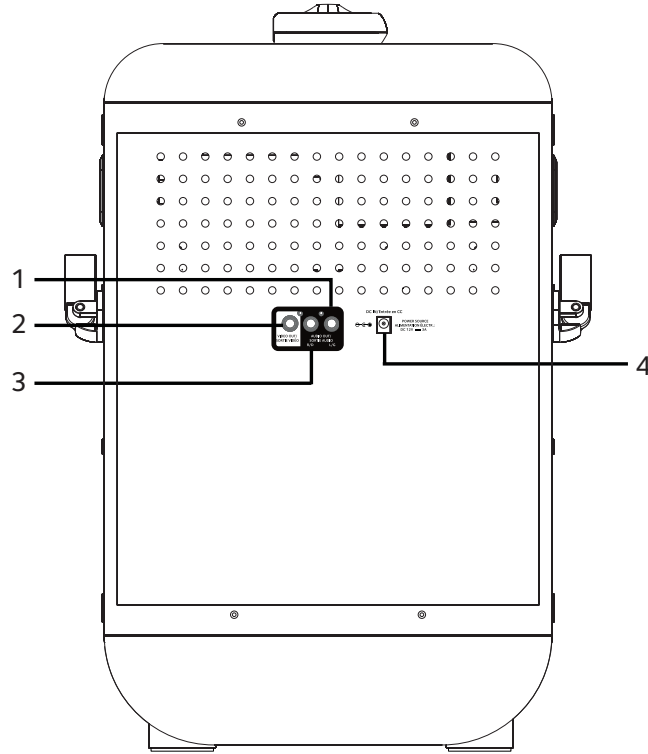


- | | | |
|---|---------------------------------|--|
| 1. Camera | 13. Listed clockwise, from top: | 18. LINE IN Jack |
| 2. POWER ON/OFF Button | PROGRAM | 19. Speakers |
| 3. Screen | Play/Pause ▶ Button | 20. SD Card Slot |
| 4. BLUETOOTH Button | Skip/Search Forward ►► Button | 21. FUNCTION Control |
| 5. MODE Button | REPEAT Button | 22. MONITOR Control |
| 6. RECORD Button | Skip/Search Back ◀◀ Button | 23. VIDEO OUT Control |
| 7. SD CARD Up Button | Stop ■/CDG/USB Button | 24. AVC (Auto Voice Control) ON/OFF Button |
| 8. SD CARD Left/MENU Button | | 25. ECHO Control |
| 9. BALANCE Control | 14. MASTER VOLUME Control | 26. KEY -/+ Buttons (for MP3 and MP3+G only) |
| 10. Mic Holders | 15. CD Compartment | 27. MIC VOLUME Control |
| 11. SD CARD Down Button | 16. GUITAR/KEYBOARD IN Jack | 28. CD Open/Close Button |
| 12. SD CARD Right/PLAY-PAUSE/ENTER Button | 17. Tweeters | 29. USB Port |
| | | 30. MIC 1/MIC 2 In Jacks |



Location of Controls

Rear



- 1. AUDIO OUT Left Jack
- 2. VIDEO OUT Jack

- 3. AUDIO OUT Right Jack
- 4. DC IN Jack

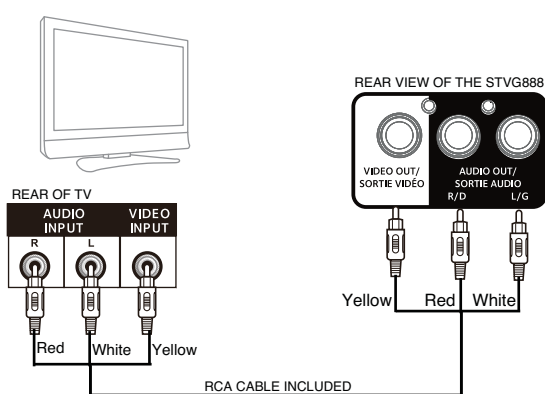




Connection

Connecting the Unit to an External TV, Stereo, etc.

Your Singing Machine is designed to connect to your TV the same way you would connect most video cameras, DVD players or video game consoles, as follows:



1 Connect the Audio/Video cable's yellow plug to the yellow VIDEO OUT jack on the STVG888W and the other end to the external unit's yellow Video In jack.

2 Connect the Audio/Video cable's red and white plugs to the red and white AUDIO OUT jacks on the STVG888W and the other ends to the external unit's red and white Audio In jacks.

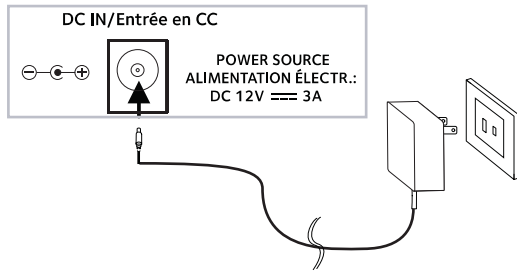
If left unconnected, the audio will just play through this unit's speakers.

Notes:

- This unit can be used with or without a TV.
- To see the lyrics, you must use a CD+G disc or MP3+G and an external TV.
- Also refer to the TV's or external unit's User Guide.
- Audio/Video cables are included.
- Rotate the FUNCTION control to the CDG/USB position and the VIDEO OUT control to the CDG/USB position to utilize the Karaoke function when using an external TV.



Connection

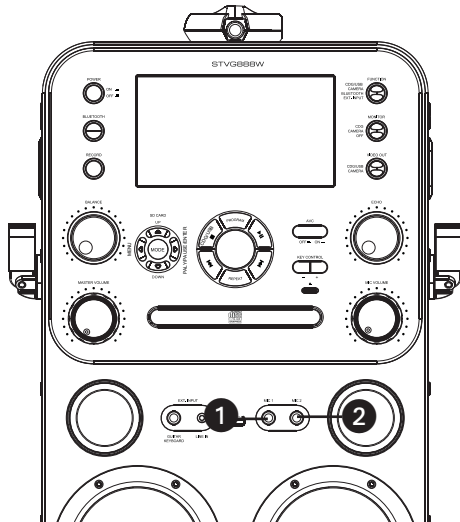


Insert the small end of the AC adapter into the DC IN jack on the rear of the unit. Insert the other end (with the 2 blades) into a conveniently located AC outlet having 110-240V AC, 50/60Hz.

Notes:

- Only use the supplied AC adapter. Failure to do so may cause a fire or damage the unit.
- The AC adapter included with this unit is for its use only. Do not use it with other equipment.
- Turn off the unit before unplugging the AC adapter from the unit to avoid damaging the unit.
- When the unit is not going to be used for a long time, disconnect the AC adapter from the AC outlet.
- Never use an AC adapter that is damaged. Route power lead in a safe manner and make sure it is not subjected to trapping or pinching. If the power lead is damaged, refer to a qualified service agent.

Connecting the Microphone

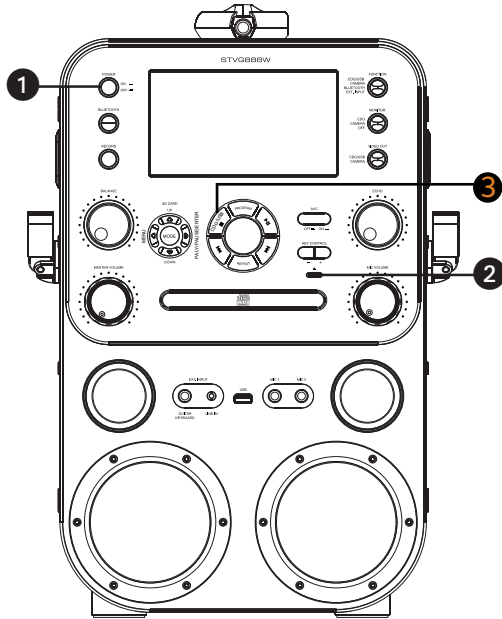


Insert a microphone's plug into the Mic 1 jack ①. Insert another microphone's plug into the Mic 2 jack ② (if desired). One microphone is included.

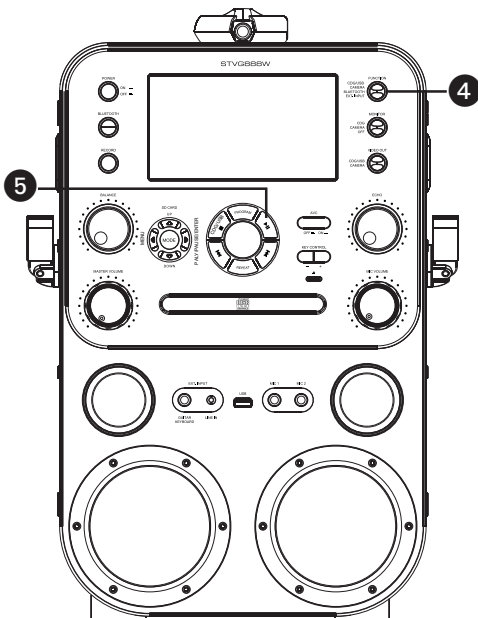
Note: Do not drop or tap the mic, as damage to the mic or speakers may occur. Do not spin the microphone around for the same reason.

Operation

Playing a CD (with or without MP3+G files), CD+G or USB Drive



1 Connect the unit as described previously. Press the POWER ON/OFF button to the in position to turn the unit on; the POWER ON/OFF button will light.




2 CD: Press the CD Open/Close button to open the CD door and then insert a CD (with standard or MP3+G files) or a CD+G. Close the CD door by pressing the CD Open/Close button again.
 USB: If using the USB drive with MP3+G files, insert the USB into the USB port.
 (Always turn on the unit before inserting your USB Flash Drive.)

3 Press and hold  to switch between CDG and USB playing.

FAQs

- **What is a CD+G?**
 A CD+G (CD+Graphics), is the standard format for most karaoke discs that will display the words on the screen.
- **What is an MP3+G?**
 MP3+G is the newest format for karaoke music utilizing the MP3's small file size. It will display the words on the screen. See page 19 to order and download MP3+G files.

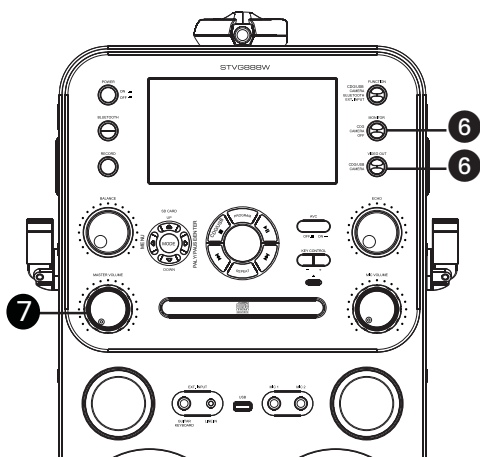
4 Rotate the FUNCTION control to the CDG/USB position to select the CDG/CD or USB mode.

5 Press the Play/Pause  button to start playback.



Operation

Playing a CD (with or without MP3+G files), CD+G or USB Drive

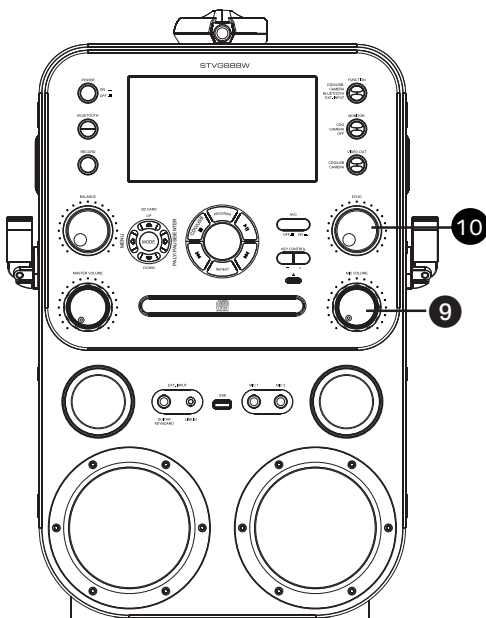
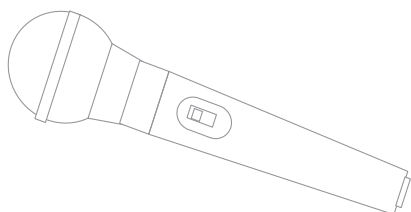


- 6** If listening to an MP3+G or CD+G files, view as follows:
To view the image and lyrics on the screen, rotate the MONITOR control to the CDG position.
To view the image and lyrics on an external TV (if connected), rotate the VIDEO OUT control to the CDG/USB position.

- 7** Adjust the volume to a comfortable level using the MASTER VOLUME control.

Notes:

- Never place anything other than a CD in the compartment, as foreign objects can damage the unit.
- If no disc is inserted, "NO DISC" will appear in the display.
- If connected to a TV or other audio source, the sound will come from this unit and the TV, so adjust either Volume as desired.



- 8** Connect microphone(s) as shown on page 5, and slide the ON/OFF switch to the ON position.

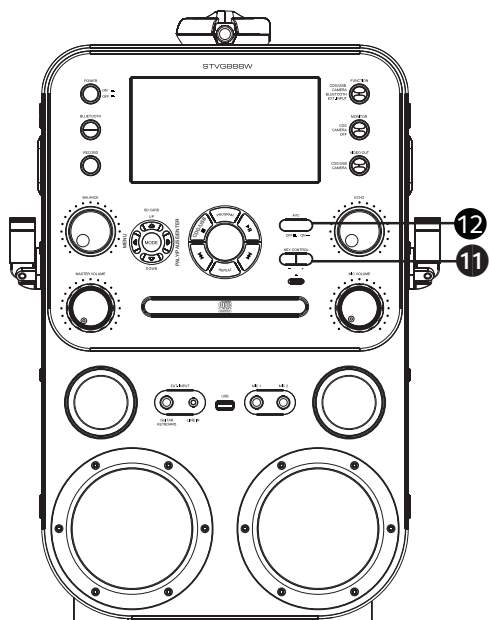
- 9** Adjust the MIC VOLUME control as desired. Increasing this control will increase the volume of the respective microphone.

- 10** Adjust the Echo control to add an echo effect to your voice.



Operation

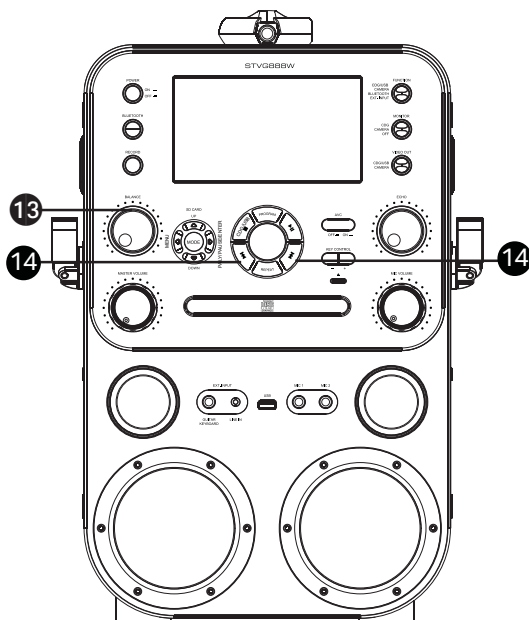
Playing a CD (with or without MP3+G files), CD+G or USB Drive



11 Adjust the Key to obtain the best key for the singer on the track. Adjust the key using the KEY – and KEY + buttons.

12 Press the AVC (Auto Voice Control) ON/OFF button to the On position and the vocals on a multiplex recording will be muted as soon as the singer begins singing into the microphone. When the singer stops singing, the vocals are automatically unmuted.

IMPORTANT: This feature only works with multiplex media.



13 **BALANCE:** Balance allows you to eliminate the lead singer's voice by rotating the knob to the left when playing a multiplex recording, or eliminate the music by rotating the knob to the right.

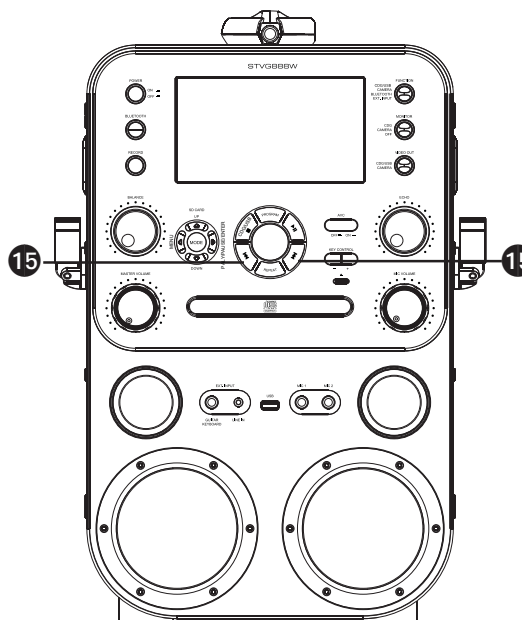
Note: When playing an audio CD or music-only recording, the balance will shift to the right or left speaker.

14 **SKIP:** Advance or go back one track by pressing the Skip Back ◀◀/Skip Forward ▶▶ buttons.

Note: If using a USB drive and connected to a TV, during Stop mode you can also select a file using the Skip Back ◀◀/Skip Forward ▶▶ buttons to scroll up/down and/or the KEY –/+ buttons to scroll left/right.

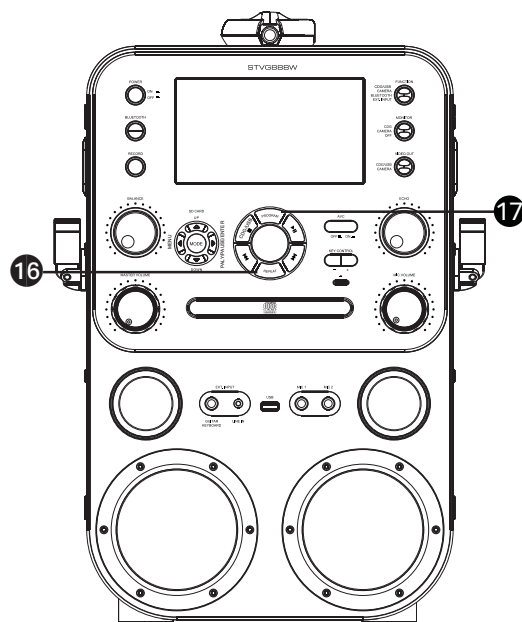
Operation

Playing a CD (with or without MP3+G files), CD+G or USB Drive



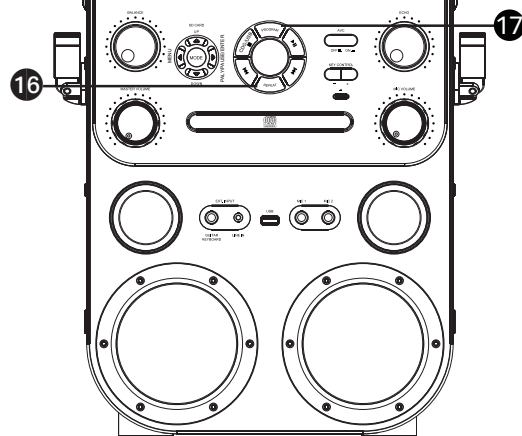
15 SEARCH: During playback, press and hold the Skip Back /Skip Forward button to move the player backward or forward within a track to locate a specific musical passage. When you release the respective button, normal playback will resume.

Note: The Search function is not available for CD+G playback.



16 REPEAT: To repeat the current track, press the REPEAT button once during playback. will appear in the display and the current track will be repeated. Press the REPEAT button twice, will appear and all MP3 tracks inside the current folder will be repeated continuously. To repeat all tracks, press the REPEAT button again, will appear. Press again to cancel the Repeat feature; will appear.

Note: Repeat FOLDER function is not available for normal music CD/CD+G playback.

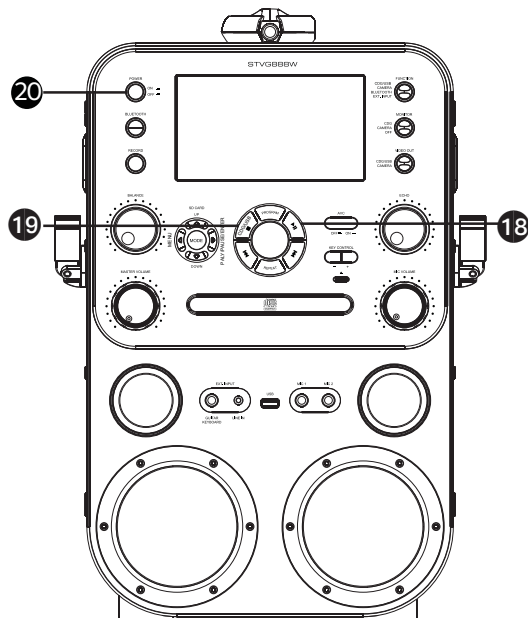


17 PROGRAM: You can program up to 20 tracks for playback in any desired order. While in Stop mode, press the PROGRAM button; PRG P01:XX (xx is the total tracks) will appear in the display. Select the first track using the Skip Back /Skip Forward buttons, then press the PROGRAM button. Repeat to set up to 20 tracks into memory. When done, press the Play/Pause button to start playback.

Note: Press the Stop button TWICE to stop and clear the program.

Operation

Playing a CD (with or without MP3+G files), CD+G or USB Drive



18 PAUSE: During playback, if you wish to pause the disc momentarily, press the Play/Pause **▶||** button. Press again to resume normal playback.

Note: Pausing the unit while playing a CD+G may distort the lyrics on the screen. This will remain until the screen is refreshed.

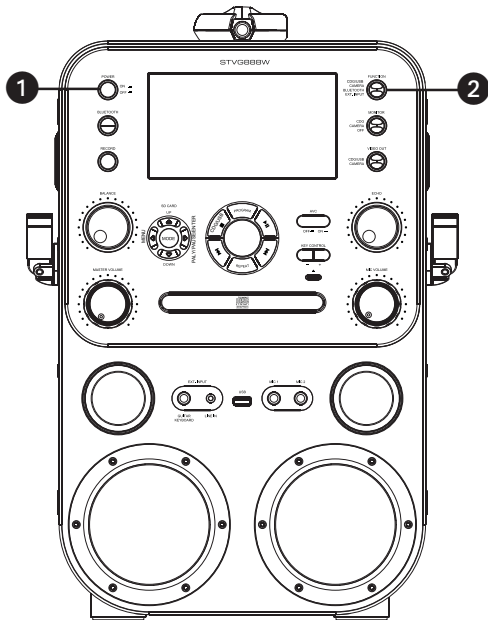
19 Press the  button to stop playback.

20 Press the POWER ON/OFF button to the out position to turn the unit off.

NOTE:
In CDG/USB mode, USB port can be used for charging.(charge at 1A)

Operation

Using a Bluetooth Device



1 Connect the unit as described previously. Press the POWER ON/OFF button to the in position to turn the unit on; the POWER ON/OFF button will light.

2 Rotate the FUNCTION control to the BLUETOOTH position to select the Bluetooth mode; a tone will sound and the blue Bluetooth background light will blink rapidly.

3 If the background is not blinking rapidly, press and hold the BLUETOOTH button until it does.

4 Switch on the Bluetooth function of your Bluetooth compatible device within three feet of the STVG888W. You will see “Singing Machine” appear on your device’s search list.

Note: Please always refer to the user manual of your Bluetooth device for detailed instructions.

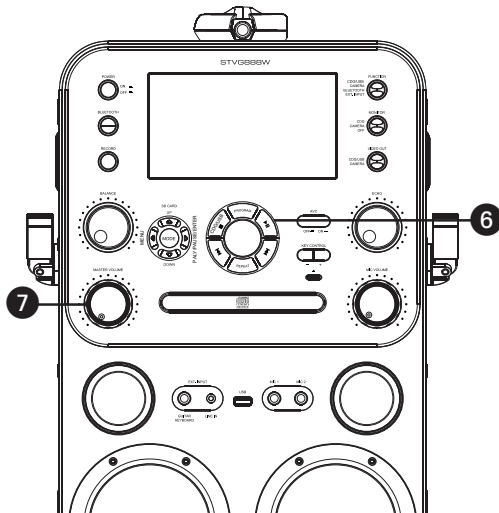
5 Select “Singing Machine” to start pairing. Wait for completion of the pairing; a tone will sound and the blue background light will stop blinking.

Notes:

- If your Bluetooth device prompts you for a passcode during the pairing process, please enter “0000” to connect.
- After initial pairing, the unit will stay paired unless unpaired manually by the user or erased due to a reset of the devices.
- If your device should become unpaired, follow the above steps again. If any pairing issues should occur, unpair the unit on your Bluetooth device and follow the above steps again.

Operation

Using a Bluetooth Device

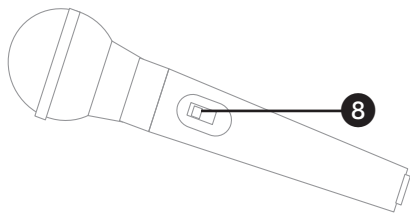


6 **PLAY/PAUSE:**
Press the **BLUETOOTH BUTTON** to pause during playing, press again to resume playing.

7 Make sure the Bluetooth device has its volume set to mid range, then adjust the volume to a comfortable level using the **MASTER VOLUME** control.

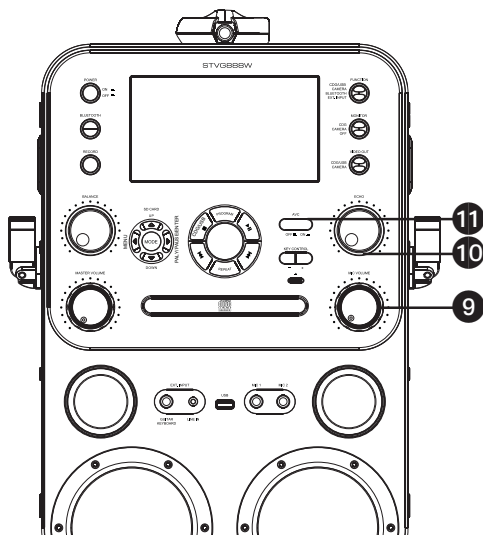
Note: If connected to a TV or other audio source, adjust the volume of the TV using its own volume control.

8 Connect microphone(s) as shown on page 5, and slide the **ON/OFF** switch to the **ON** position. Also, if desired, put your Bluetooth device onto the cradle after it is paired.



9 Adjust the **MIC VOLUME** control as desired. Increasing this control will increase the volume of the respective microphone.

10 Adjust the **Echo** control to add an echo effect to your voice.

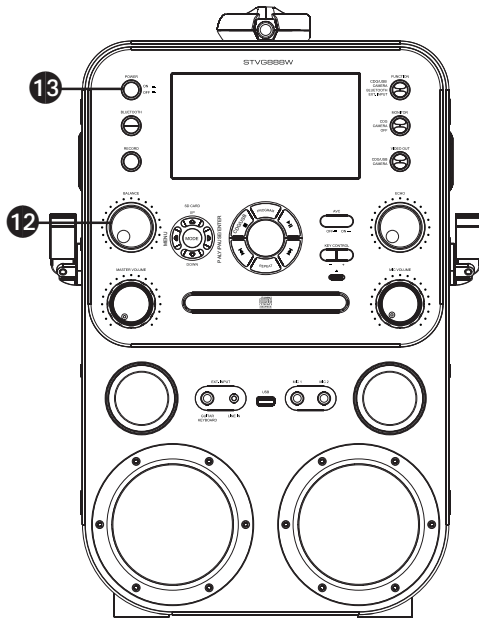


11 Press the **AVC (Auto Voice Control) ON/OFF** button to the **On** position and the vocals on a multiplex recording will be muted as soon as the singer begins singing into the microphone. When the singer stops singing, the vocals are automatically unmuted.

IMPORTANT: This feature only works with multiplex media.

Operation

Using a Bluetooth Device



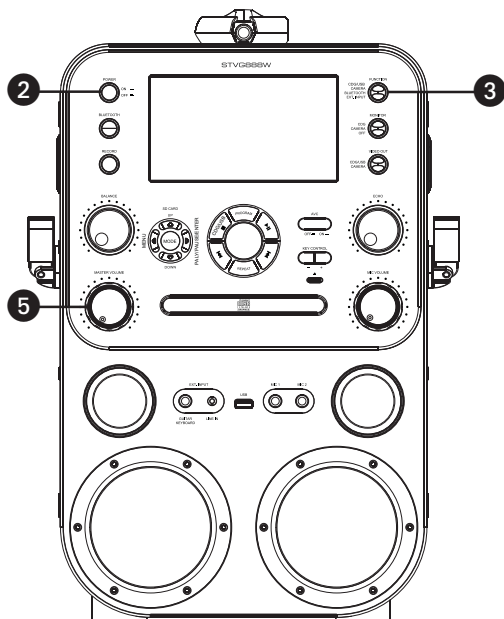
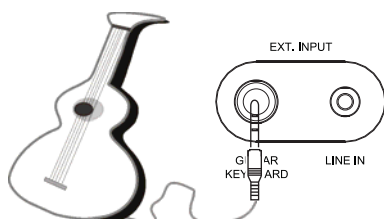
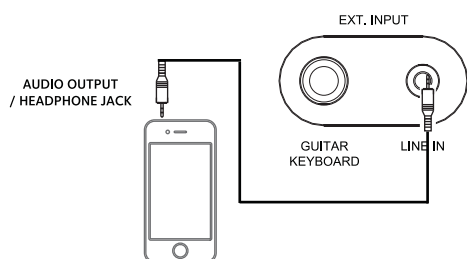
12 **BALANCE:** Balance allows you to eliminate the lead singer's voice by rotating the knob to the left when playing a multiplex recording, or eliminate the music by rotating the knob to the right.

Note: When playing a music-only recording, the balance will shift to the right or left speaker.

13 Press the **POWER ON/OFF** button to the out position to turn the unit off.

Operation

Using a Guitar, Keyboard or External Music Player

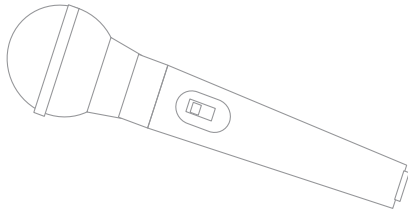


- 1 Connect the unit as described previously.
GUITAR/KEYBOARD: Connect the Guitar or Keyboard to the GUITAR/KEYBOARD Ext. Input jack.
LINE IN: Connect a music player using a 3.5mm standard audio cable from the external unit's Audio Output/Headphone jack to the STVG888W's LINE IN Ext. Input jack.

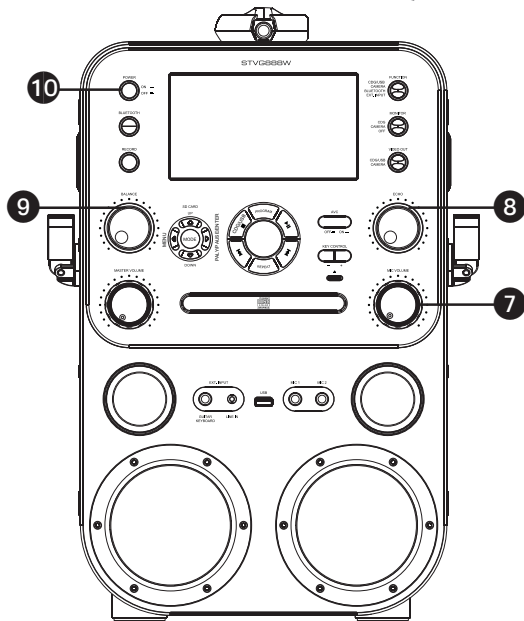
- 2 Press the POWER ON/OFF button to the in position to turn the unit on; the POWER ON/OFF button will light.
- 3 Rotate the FUNCTION control to the EXT. INPUT position to select the External Input mode.
- 4 Play your guitar, keyboard or external music player and the sound will be heard through this unit's speakers.
- 5 Adjust the volume to a comfortable level using the MASTER VOLUME control.

Operation

Using a Guitar, Keyboard or External Music Player



6 Connect microphone(s) as shown on page 5, and slide the ON/OFF switch to the ON position.



7 Adjust the MIC VOLUME control as desired. Increasing this control will increase the volume of the respective microphone.

8 Adjust the Echo control to add an echo effect to your voice.

9 **BALANCE:** Balance allows you to eliminate the lead singer's voice by rotating the knob to the left when playing a multiplex recording, or eliminate the music by rotating the knob to the right.

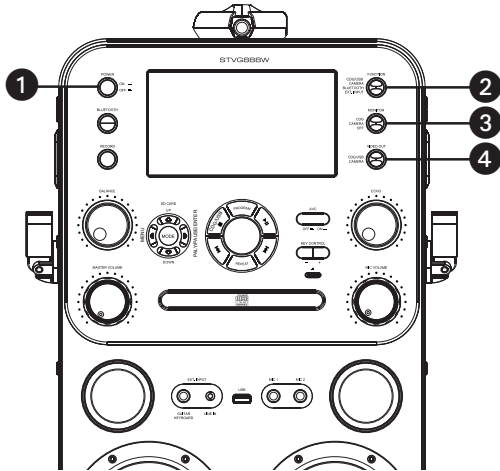
Note: When playing a music-only recording, the balance will shift to the right or left speaker.

10 Press the POWER ON/OFF button to the out position to turn the unit off.



Operation

Recording the Camera and Singing on an SD Card



1 Connect the unit as described previously. Press the POWER ON/OFF button to the in position to turn the unit on; the POWER ON/OFF button will light.

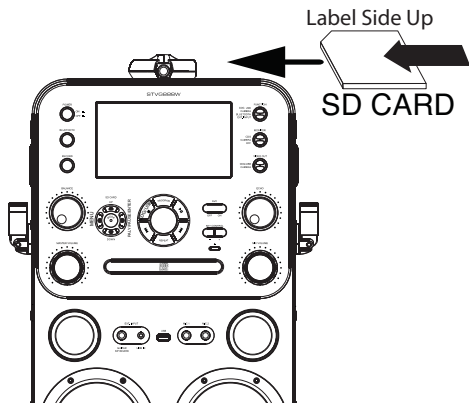
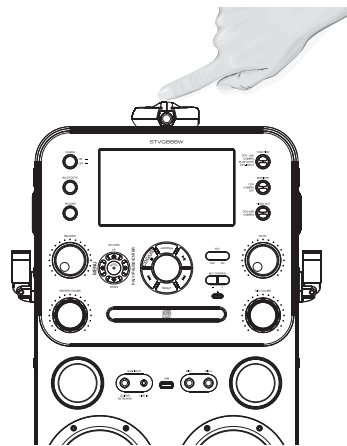
2 Rotate the FUNCTION control to the CAMERA position to select the Camera mode.

3 To view the video on the screen, rotate the MONITOR control to the Camera position.

4 To view on an external TV (if connected), rotate the VIDEO OUT control to the Camera position.

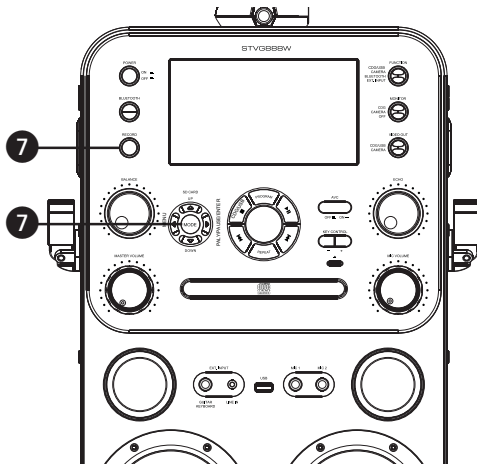
5 Press the camera head and the camera will spring up.

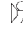

6 Insert an SD card (up to 32GB) into the SD Card Slot on the right side of the camera.




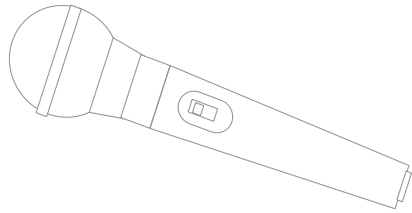
Operation

Recording the Camera and Singing on an SD Card

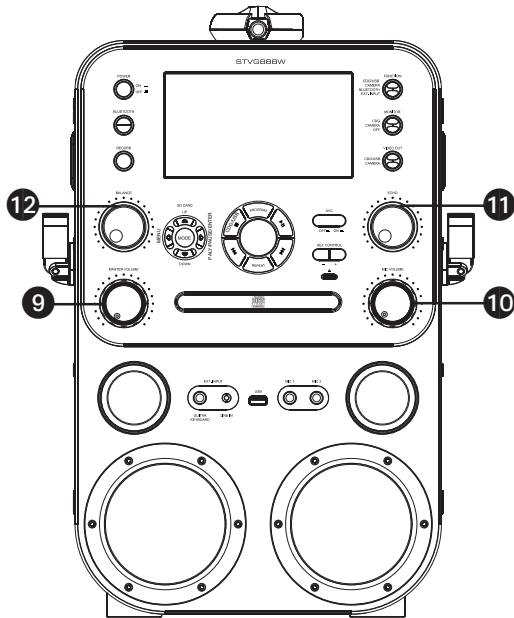


- 7** Press the MODE button the  will appear on screen, and then press the RECORD button to start recording; a red ● and  will appear on the screen and the red ● and RECORD button will start blinking.

Note: If there is no SD card inserted,  will appear.



- 8** Connect microphone(s) as shown on page 5, and slide the ON/OFF switch to the ON position.



- 9** Adjust the volume to a comfortable level using the MASTER VOLUME control.

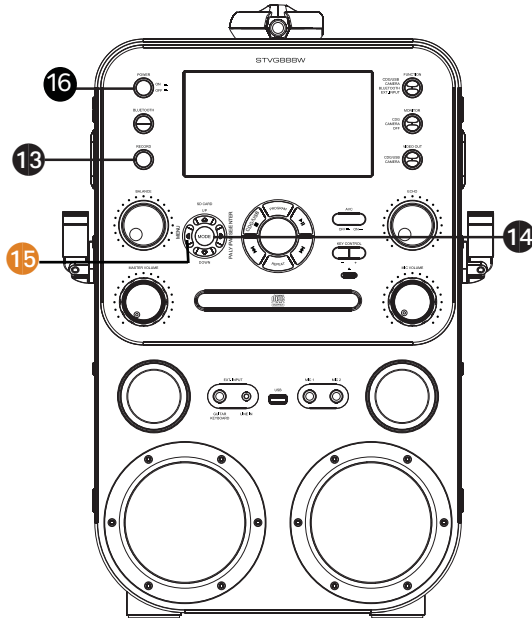
- 10** Adjust the MIC VOLUME control as desired. Increasing this control will increase the volume of the respective microphone.

- 11** Adjust the Echo control to add an echo effect to your voice.

- 12** **BALANCE:** Adjust the balance to shift to the right or left speaker.

Operation

Recording the Camera and Singing on an SD Card



13 To stop and save the recording, Press **RECORD** button to stop recording; the RECORD button will stop blinking and the video and audio will be saved on the SD card.

14 To watch the recorded video, press the MODE button and then the SD CARD (Right/PLAY-PAUSE-ENTER) button; playback will appear.

15 Press MENU button, the last recorded video will appear, press PLAY-PAUSE-ENTER to play, press again to pause. using the SD CARD, Up SD CARD Left /MENU, SD CARD Down, or SD CARD Right/ PLAY-PAUSE-ENTER to choose the video to play. Press MENU button again to enter the Video Set Up. Choose "Delete Single" to delete single video, choose "Browse Play" to browse videos recorded. Press SD CARD Left or SD CARD Right/ PLAY-PAUSE-ENTER to exit or setup. Press MENU button the third time to enter video format, press SD CARD Right / PLAY -PAUSE-ENTER to delete all contents in SD Card. Press MENU button after all operation to exit.

16 Press the POWER ON/OFF button to the out position to turn the unit off.

Notes:

- The recordings will be stored in the SD card with the name, MOV10000.AVI, MOV10001.AVI, etc.
- Cycle through the recordings using the SD CARD Up, SD CARD Left/MENU, SD CARD Down, or SD CARD Right/PLAY-PAUSE-ENTER buttons.



Operation

Where to Download MP3+G Files

Helpful Hints:

The .mp3 and .cdg files are delivered for download in a single, compressed MP3+G.zip file. The MP3+G file cannot be played as a .zip file on a USB flash drive. To play karaoke songs using a USB flash drive, the MP3+G .zip file must be unzipped as follows:

- Connect a USB flash drive to your computer.
- Download the MP3+G file from your Digital Locker and save the .zip* file to a folder on your computer.
- Double click the .zip file to open the .zip (you will see the .mp3 and .cdg files).
- Drag and drop the .mp3 and .cdg files to the USB flash drive.
- Remove (eject) the USB flash drive from your computer.

Turn on the Singing Machine and connect the USB flash drive.

To purchase and download karaoke music, please visit <http://store.singingmachine.com> to access over 12,000 of your favorite karaoke songs. You will need a USB flash drive (not included) to transfer the downloads to this unit.

Follow these easy steps:

- 1 Go to <http://store.singingmachine.com> using your internet browser, and then register.
- 2 Select and purchase your favorite karaoke music from the Singing Machine Download Store.
- 3 Download your selected purchase(s) from the Singing Machine Digital Locker to your USB flash drive.
- 4 Insert the USB flash drive as shown on page 6 and enjoy!

FAQ

- Where can I get additional help with the file formats?

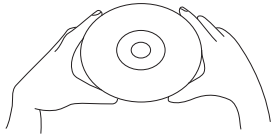
While on the Singing Machine Store's web page, simply click **FILE FORMATS** at the lower left.

Note: Your downloaded songs can also be burned to a blank CDR/CDRW.





Care and Maintenance

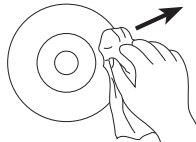


Care for Compact Discs

Treat the compact disc carefully. Handle the compact disc only by its edges. Never allow your fingers to come in contact with the shiny, unprinted side of the compact disc.



Do not attach adhesive tape, stickers, etc. to the compact disc label. Clean the compact disc periodically with a soft, lint-free, dry cloth. Never use detergents or abrasive cleaners to clean the compact disc. If necessary, use a CD cleaning kit.



If a disc skips or gets stuck on a section of the compact disc, it is probably dirty or damaged (scratched).

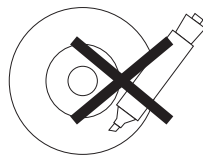
When cleaning the compact disc, wipe in straight lines from the center of the compact disc to the outer edge of the compact disc. Never wipe in circular motions.



This unit is designed to play only compact discs bearing the identification logos as shown here. Other discs may not conform to the CD standard and may not play properly.



Compact discs should be stored in their cases after each use to avoid damage. Do not expose compact discs to direct sunlight, high humidity, high temperatures or dust, etc. Prolonged exposure or extreme temperatures can warp the compact disc.



Do not stick anything on either side of the compact disc. Also do not write on the shiny side of the disc, as sharp writing instruments, or the ink, may damage the surface.

Cleaning the Unit

To prevent fire or shock hazard, disconnect your unit from the AC power source when cleaning. The finish on your unit may be cleaned with a dust cloth and cared for as other furniture. Use caution when cleaning and wiping the plastic parts.





Troubleshooting Guide

Should this unit exhibit a problem, check the following before seeking service:

No Power

- Power is not on; press the POWER ON/OFF button to turn power on.
- Make sure the unit is connected to AC power.

No Sound – General

- Master Volume is set to minimum; raise volume.
- Correct Function was not selected; select using the FUNCTION button.

No Sound – If connected to a TV

- Volume on the TV is muted or too low.
- White and red audio plugs are not connected properly; see page 4.
- Correct source (usually AV) was not selected in the TV's menu.

CD section is not working properly.

- No disc inserted, or disc inserted upside down; insert disc correctly.
- Make sure to use a CD, CD+G, or when downloaded music has been burned, ensure the disc is a CDR or CDRW.
- Lens is dirty. Disconnect the power and clean the lens with a CD lens cleaner.
- Moisture has formed. Turn the unit off, unplug the unit from the outlet and allow 20–30 minutes to dry.

No sound from the microphone.

- Make sure it is firmly connected to the MIC1 or MIC2 jack.
- Make sure it is turned on, see page 7.
- Make sure the MIC VOLUME control is not on the lowest setting.
- MASTER VOLUME is set to minimum; raise volume.

File(s) on USB jack not playing.

- The file is corrupted; replace file.
- The file is not in a format this unit will play.
- The connected USB device is not supported by the product.

The Bluetooth device cannot be paired or connected with the unit.

- You have not activated the Bluetooth function of your device; see page 11 or refer to the Bluetooth device's user manual.
- The unit is not in pairing mode; see page 11 to pair.

The Music playback is not available on the unit after successfully connecting the Bluetooth.

- Ensure your Bluetooth device can support the A2DP Bluetooth profile.

The unit will not record.

- No SD Card is inserted, or SD Card is full. Move all recordings to your computer to make room.





Specifications

AUDIO

Output Power (Maximum)..... 10W (RMS)
Output Impedance6 Ohms

CD PLAYER

Frequency Response 100 Hz-20 KHz
Signal to Noise Ratio.....50 dB
Sampling System 8 Times Oversampling
Disc Diameter4.72" (120 mm)
..... 3.15" (80 mm) Single CD

BLUETOOTH

Bluetooth VersionV3.0 + EDR
Working DistanceUp to 10 meters measured in open space

GENERAL

Power..... AC 110-240 V, 50/60 Hz
Dimensions 19.83 x 9.91 x 9.77 inches / 503.9 x 233.4 x 248.2 mm
Weight12 lbs / 5.47 kg (with accessories)
Microphone..... -74 dB 600 Ohms impedance with 6.3 mm Dynamic Microphone
PowerDC12V, 3A Center Positive Adapter
USBSupports USB Flash up to 32 GB



Specifications are subject to change without notice.





Visit Our Website: www.singingmachine.com
Visite nuestro sitio web: www.singingmachine.com
Visitez notre site Internet au: www.singingmachine.com

6301 NW 5th Way, Suite 2900, Fort Lauderdale, FL 33309, USA © 2014

PRINTED IN CHINA
IMPRESO EN CHINA
IMPRIMÉ EN CHINE
888 W-1404 -ENG01

