

# JVC

## POWERED WOOFER CD SYSTEM RV-NB52B/RV-NB50

Thank you for purchasing a JVC product.  
Before operation, please read the instructions carefully.



**For customer use:**  
Enter below the Model No. and Serial No. which are located either on the rear, bottom or side of the cabinet. Retain this information for future reference.  
Model No. \_\_\_\_\_  
Serial No. \_\_\_\_\_

### INSTRUCTIONS

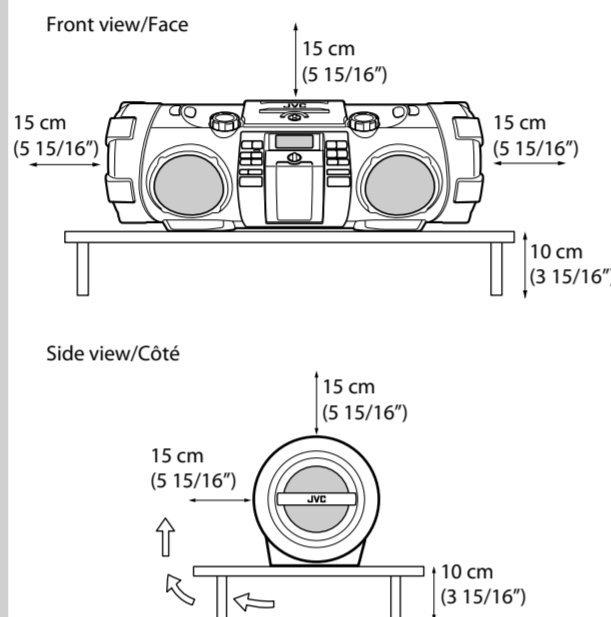
LVT2062-001C[J/C]  
0110YOMMDWBET



©2009 Victor Company of Japan, Limited

**Caution: Proper Ventilation**  
To avoid risk of electric shock and fire, and to prevent damage, locate the apparatus as follows:  
1 Front:  
No obstructions and open spacing.  
2 Sides/ Top/ Back:  
No obstructions should be placed in the areas shown by the dimensions below.  
3 Bottom:  
Place on the level surface. Maintain an adequate air path for ventilation by placing on a stand with a height of 10 cm (3 15/16") or more.

**Attention: Aération correcte**  
Pour prévenir tout risque de décharge électrique ou d'incendie et éviter toute détérioration, installez l'appareil de la manière suivante:  
1 Avant:  
Bien dégagé de tout objet.  
2 Côtés/dessus/dessous:  
Assurez-vous que rien ne bloque les espaces indiqués sur le schéma ci-dessous.  
3 Dessous:  
Posez l'appareil sur une surface plane et horizontale. Veillez à ce que sa ventilation correcte puisse se faire en le plaçant sur un support d'au moins dix centimètres de hauteur.



## ABOUT DISC/FILE/iPod/DISPLAY

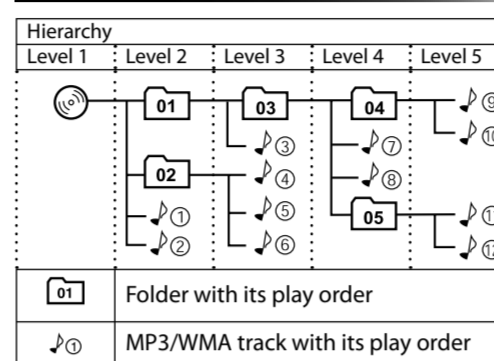
### Playable discs/files

Discs	CDs with one of the marks below on the surface.   
Files	Files in audio CD format, MP3/WMA files on a finalized CD-R or CD-RW. MP3/WMA files in a USB device can also be played.

- MP3/WMA discs require a longer readout time than regular CDs. (It depends on the complexity of the folder/file configuration.)
- Some MP3/WMA files cannot be played back and will be skipped. This results from their recording processes and conditions.
- When making MP3/WMA discs, use ISO 9660 Level 1 for the disc format.
- This unit can play back MP3/WMA files with the extension code <.mp3> or <.wma> (regardless of the letter case upper/lower).
- It is recommended that you make each MP3 file at a sampling rate of 44.1 kHz and at a bit rate of 128 kbps. Similarly each WMA file at a sampling rate of 44.1 kHz and at a bit rate of 96 kbps.
- Playback order of MP3/WMA files may be different from the one you have intended when recording. If a folder does not contain MP3/WMA files, it is ignored.
- This unit cannot play "packet write" discs.
- If a CD-RW has been recorded in a different format, erase all data on the CD-RW completely before recording on it.
- This unit can recognize up to a total of 511 tracks and folders on a disc, and 65536 files in up to 200 groups (maximum 500 files in a single group) on a USB device.

- The reflection factor of CD-RW is lower than that of other CDs, possibly causing CD-RW to take longer time to read.
- In this manual, "file" and "track" are interchangeably used for MP3/WMA operations.

### MP3/WMA folders/tracks configuration



### Important for USB mass storage class device

- For connecting/disconnecting:
- USB Memory and DAPs compatible with the USB mass storage class specifications are connectable.
  - Always set the volume to the minimum level when connecting or disconnecting a USB device.
  - When connecting with a USB cable, use the USB 2.0 cable less than 1 m (3.28 ft) in length.
  - You cannot connect a computer to the USB MEMORY terminal of the unit.
  - Connect one USB device to the unit at a time. Do not use a USB hub.
  - When the power is supplied through the AC outlet and USB is selected as the source, the USB device is charged through the USB MEMORY terminal, however some USB devices may not be charged.

- For playing back:
- When connecting a USB device, refer also to its manual.
  - You can play back MP3/WMA files on a USB device (maximum data transfer rate: 2 Mbps). This unit may not play back some files even though their formats are listed above.
  - While playing back a file in a USB device, do not disconnect the USB device. It may cause malfunction of both this unit and the device.
  - This unit is compatible with USB 2.0 Full Speed.
  - You cannot play back a file larger than 2 Gigabytes.
  - When playing a file of a large transfer rate, sounds may be dropped during playback.
  - This unit cannot recognize a USB mass storage class device whose rating exceeds 5V/500 mA.
  - You cannot send any data to your USB device from this unit.
  - Some USB devices may not be recognized or may not work properly.
  - Some DAPs are not compatible with the unit.
  - Copyrighted tracks (WMA-DRM\* tracks) cannot be played back on the unit.
  - Coded or encrypted tracks in a special method cannot be played on the unit.
  - Electrostatic shock at connecting a USB device may cause abnormal playback of the device. In this case, disconnect the USB device then reset this unit and the USB device.
  - JVC bears no responsibility for any loss of data in the USB mass storage class device while using this unit.
- \* DRM (Digital Rights Management): Any of several technical methods used to control or restrict the use of digital media content on electronic devices with such technologies installed.

### Important for iPod devices

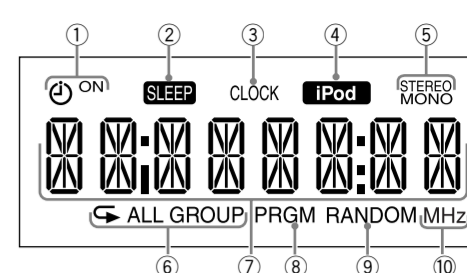
Compatible iPod:

iPod model
iPod nano
iPod nano (2nd Generation)
iPod nano (3rd Generation)
iPod nano (4th Generation)
iPod mini
iPod mini (2nd Generation)
iPod (4th Generation)
iPod classic
iPod photo (4th Generation)
iPod video (5th Generation)
iPod touch
iPod touch (2nd Generation)

- Sound distortion may occur when playing back audio sources with high recording levels. When distortion occurs, it is recommended to turn off the equalizer of iPod. For information on operating iPod, see the iPod instruction manual.

iPod is a trademark of Apple Inc., registered in the U.S. and other countries. "Made for iPod" means that an electronic accessory has been designed to connect specifically to iPod and has been certified by the developer to meet Apple performance standards. Apple is not responsible for the operation of this device or its compliance with safety and regulatory standards.

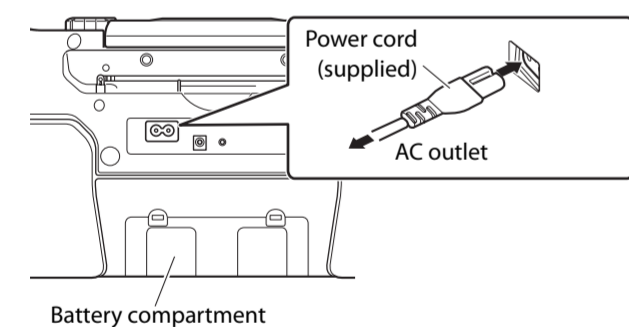
### Display



- ① Timer indicators
- (timer), ON
- ② SLEEP indicator
- ③ CLOCK indicator
- ④ iPod indicator
- ⑤ FM mode indicators STEREO, MONO
- ⑥ Repeat indicators ALL, GROUP
- ⑦ Main display
- ⑧ PRGM (program) indicator
- ⑨ RANDOM indicator
- ⑩ Frequency unit indicators

## PREPARATION

### Connecting the power cord



#### NOTE

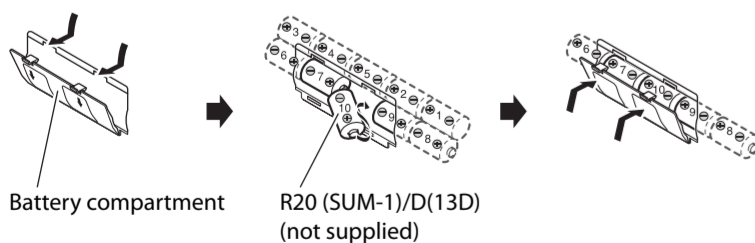
- The power can also be supplied through the batteries (see the instruction below).
  - A small amount of power is always consumed even while on standby.
- #### CAUTION
- Only use JVC power cord provided for this unit to avoid malfunction or damage to the unit.
  - Remove all the batteries when using the power cord.
  - Be sure to unplug the power cord from the outlet when going out or when the unit is not in use for an extended period of time.

Unplug the AC power cord from the unit to supply the power through the batteries in the battery compartment; otherwise, the unit does not work.

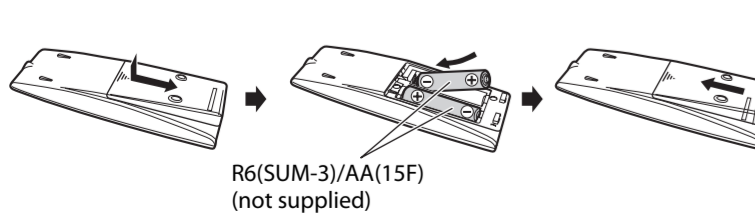
### Inserting batteries

Match the polarities (+ and -) of the batteries.

#### Main unit



#### Remote control



#### NOTE

- The power will not be supplied through the batteries when the power is supplied through the AC outlet on the unit.
- The battery is consumed more quickly than usual when operating the unit continuously or operating it in a cold place.
- When the power is supplied using the batteries, the display will be blank when the unit is turned off (at standby).
- When the power is supplied using the batteries, the unit is turned on by pressing  $\odot$  or source buttons on the main unit.

#### CAUTION

- To avoid battery leakage or explosion, handle batteries properly.
- If you are not going to use this unit for a month or more, remove the batteries from the battery compartment.
  - Dispose of batteries in the proper manner, according to federal, state, and local regulations.
  - Do not mix with batteries of different types or with new and old ones.
  - Do not attempt to charge any batteries other than rechargeable ones.
  - Discard leaky batteries immediately. Battery leakage can cause skin burns or other personal injuries.
  - If chemicals leak onto the unit, clean the unit completely.

## REFERENCES

To get the best performance of the unit, keep your discs and mechanism clean.

### Maintenance

#### Handling discs

- Remove the disc from its case by holding it at the edge while pressing the center hole lightly.
- Do not touch the shiny surface of the disc, or bend the disc.
- Put the disc back in its case after use.
- Be careful not to scratch the surface of the disc when placing it back in its case.
- Avoid exposure to direct sunlight, temperature extremes, and moisture.

#### Cleaning discs

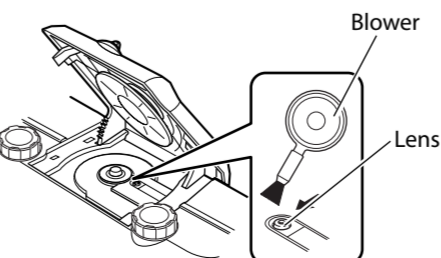
- Wipe the disc with a soft cloth in a straight line from center to edge.

#### Cleaning the unit

- Stains should be wiped off with a soft cloth. If the unit is heavily stained, wipe it with a cloth soaked in water-diluted neutral detergent and wrung well, then wipe clean with a dry cloth.
- Since the unit may deteriorate in quality, become damaged or get its paint peeled off, be careful about the following:
  - DO NOT wipe it hard.
  - DO NOT wipe it with thinner or benzine.
  - DO NOT apply any volatile substance such as insecticides to it.
  - DO NOT allow any rubber or plastic to remain in contact for a long time.

#### Cleaning the CD pickup lens

- Keep the CD pickup lens clean, or the sound may be degraded. Use a blower (available at a camera store, etc.) to blow dust off the lens.



### Troubleshooting

If you are having a problem with your unit, check this list for a possible solution before calling for service.

#### General

##### Power does not come on.

- ➔ No power is supplied. Check the power cord connection or change the batteries.

##### Adjustments or settings are suddenly canceled before you finish.

- ➔ There is a time limit. Repeat the procedure again.

##### Unable to operate the unit or the unit does not work properly.

- ➔ The built-in microprocessor may malfunction due to external electrical interference. Unplug the power cord, then plug it back in.
- ➔ Batteries are exhausted. Change the batteries.

##### Unable to operate the unit from the remote control.

- ➔ The path between the remote control and the remote sensor on the unit is blocked.
- ➔ The batteries are exhausted.

##### No sound is heard.

- ➔ Headphones are connected.

##### While the power is supplied using the batteries, sound from the speakers is distorted or too quiet.

- ➔ Batteries are exhausted. Change the batteries.

### Disc/USB Mass Storage Class Device Operations

#### The disc/USB device does not play.

- ➔ The disc is placed upside down. Place the disc with the label side up.
- ➔ The disc is recorded with the "packet writing (UDF file unit)." It cannot be played. Check the files you want to play back.
- ➔ The USB device is not connected properly.

### MP3/WMA groups and tracks are not played back as you expect.

- ➔ Playing order is determined when the groups and tracks were recorded. It depends on the writing application.

### The disc/USB device sound is discontinuous.

- ➔ The disc is scratched or dirty.
- ➔ MP3/WMA files have not been properly copied onto the USB device.

### Sounds from USB device are interrupted.

- ➔ Noise and static electricity may stop the sound. In this case, disconnect and connect the USB device again after turning off the unit.

### iPod Operations

#### iPod does not play, but "CONNECT" appears on the display.

- ➔ The iPod battery is low or exhausted. Charge the iPod battery.

### Radio Operations

#### Hard to listen to broadcasts because of noise.

- ➔ The FM antenna is not properly extended and positioned.
- ➔ Electrostatic discharge from your body may cause noise. If this happens, turn off and on the unit again.

### Timer Operations

#### Daily Timer does not work.

- ➔ The unit has been turned on when the on-time comes. Timer starts working only when the unit is turned off.

## SPECIFICATIONS

<b>Disc player</b>		Power supply:	AC 120 V ~, 60 Hz DC 15 V (R20 (SUM-1)/D (13D)-size batteries x 10) External DC 12 V
CD capacity:	1 CD	Power consumption:	AC 120 V ~, 60 Hz: 28 W (at operation) 1 W (on standby) External DC 12 V: 2 A (power on mode)
Signal-to-noise ratio:	85 dB	Dimensions:	666 mm (26 1/4") x 231 mm (9 1/2") x 240 mm (9 1/2") (W/H/D)
Dynamic range:	90 dB	Mass:	Approx. 6.8 kg (15.0 lbs) (without batteries stored in the battery compartment)
<b>Tuner</b>		Accessories provided:	Power cord x 1 Remote control x 1 Shoulder belt x 1 Buckle x 2 Stopper x 2
FM tuning range:	87.5 MHz - 108.0 MHz		
Antenna:	FM telescopic antenna		
<b>General</b>			
Speakers:			
• Full range:	8 cm (3 3/16") cone x 2 Speaker impedance: 16 $\Omega$		
• Super woofer:	13 cm (5 1/8") cone x 2 Speaker impedance: 7 $\Omega$		
Output power:	40 W		
Input terminal:			
• USB:	Playable files: MP3, WMA • Compatible device: Mass storage class • Output power: DC 5 V = 500 mA DC 5 V = 500 mA DC 12 V, 2 A		
Output terminal:	PHONES ( $\phi$ 3.5) x 1		

Design and specifications are subject to change without notice.

Microsoft and Windows Media are either registered trademarks or trademarks of Microsoft Corporation in the United States and/or other countries.

