

JVC

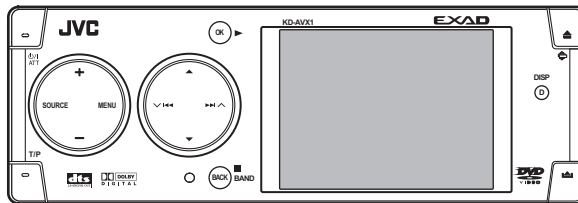
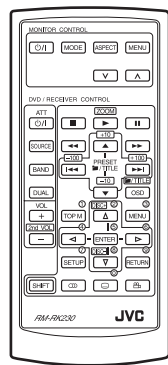
SERVICE MANUAL

DVD/CD RECEIVER

KD-AVX1

Area suffix

J ----- Northern America
E ----- Southern Europe
A ----- Australia
UT ----- Taiwan
UN ----- Indonesia
U ----- Other Areas



Lead free solder used in the board (material : Sn-Ag-Cu, melting point : 219 Centigrade)

TABLE OF CONTENTS

1	PRECAUTIONS	1-5
2	SPECIFIC SERVICE INSTRUCTIONS	1-8
3	DISASSEMBLY	1-9
4	ADJUSTMENT	1-26
5	TROUBLESHOOTING	1-38

SPECIFICATION

for NORTHERN AMERICA version

AUDIO AMPLIFIER SECTION		
Power Output	20 W RMS × 4 Channels at 4 Ω and [$<$ or $=$] 1% THD+N	
Signal to Noise Ratio	80 dBA (reference: 1 W into 4 Ω)	
Load Impedance	4 Ω (4 Ω to 8 Ω allowance)	
Equalizer Control Range	Frequencies	60 Hz, 150 Hz, 400 Hz, 1 kHz, 2.5 kHz, 6.3 kHz, 15 kHz
	Level	±10 dB
Line-In Level/Impedance	1.5 V/20 kΩ load	
Line-Out Level/Impedance	5.0 V/20 kΩ load (full scale)	
Output Impedance	1 kΩ	
Subwoofer-Out Level/Impedance	2.0 V/20 kΩ load (full scale)	
Color System	NTSC	
Video Input (composite)	1 V _{p-p} /75 Ω	
Video Output (composite)	1 V _{p-p} /75 Ω	
Other Terminals	2nd AUDIO OUT, DIGITAL OUT (optical), CD changer, Steering wheel remote input (OE REMOTE)	
TUNER SECTION		
Frequency Range	FM	87.5 MHz to 107.9 MHz (with channel interval set to 200 kHz) 87.5 MHz to 108.0 MHz (with channel interval set to 50 kHz)
	AM	530 kHz to 1 710 kHz (with channel interval set to 10 kHz) 531 kHz to 1 602 kHz (with channel interval set to 9 kHz)
FM Tuner	Usable Sensitivity	11.3 dBf (1.0 μV/75 Ω)
	50 dB Quieting Sensitivity	16.3 dBf (1.8 μV/75 Ω)
	Alternate Channel Selectivity (400 kHz)	65 dB
	Frequency Response	40 Hz to 15 000 Hz
	Stereo Separation	35 dB
	Capture Ratio	1.5 dB
AM Tuner	Sensitivity	20 μV
	Selectivity	35 dB
DVD/CD PLAYER SECTION		
Signal Detection System	Non-contact optical pickup (semiconductor laser)	
Number of Channels	2 channels (stereo)	
Frequency Response	DVD fs=48 kHz	16 Hz to 22 000 Hz
	DVD fs=96 kHz	16 Hz to 44 000 Hz
	VCD, CD, MP3, WMA	16 Hz to 20 000 Hz
Dynamic Range	93 dB	
Signal-to-Noise Ratio	95 dB	
Wow and Flutter	Less than measurable limit	
MP3	Max. Bit Rate	320 kbps
WMA (Windows Media Audio)	Max. Bit Rate	192 kbps
MONITOR SECTION		
Screen	3-inch liquid crystal panel	
Number of Pixels	123 200 pixels	
Drive Method	TFT (Thin Film Transistor) active matrix format	
Color system	NTSC	
GENERAL		
Power Requirement	Operating Voltage	DC 14.4 V (11 V to 16 V allowance)
Grounding System	Negative ground	
Allowable Operating Temperature	0° C to +40° C (32° F to 104° F)	
Dimensions (W × H × D)	Installation Size (approx.)	182 mm × 52 mm × 160 mm (7-3/16" × 2-1/16" × 6-5/16")
	Panel Size (approx.)	188 mm × 58 mm × 18 mm (7-7/16" × 2-5/16" × 3/4")
Mass (approx.)	2.0 kg (4.5 lbs) (excluding accessories)	

for EUROPE version

AUDIO AMPLIFIER SECTION		
Maximum Power Output	Front	50 W per channel
	Rear	50 W per channel
Continuous Power Output (RMS)	Front	20 W per channel into 4 Ω , 40 Hz to 20 000 Hz at no more than 0.8% total harmonic distortion.
	Rear	20 W per channel into 4 Ω , 40 Hz to 20 000 Hz at no more than 0.8% total harmonic distortion.
Load Impedance		4 Ω (4 Ω to 8 Ω allowance)
Equalizer Control Range	Frequencies	60 Hz, 150 Hz, 400 Hz, 1 kHz, 2.5 kHz, 6.3 kHz, 15 kHz
	Level	± 10 dB
Signal-to-Noise Ratio		70 dB
Line-In Level/Impedance		1.5 V/20 k Ω load
Line-Out Level/Impedance		5.0 V/20 k Ω load (full scale)
Output Impedance		1 k Ω
Subwoofer-Out Level/Impedance		2.0 V/20 k Ω load (full scale)
Color System		PAL
Video Input (composite)		1 Vp-p/75 Ω
Video Output (composite)		1 Vp-p/75 Ω
Other Terminals		2nd AUDIO OUT, DIGITAL OUT (optical), CD changer, Steering wheel remote input (OE REMOTE)
TUNER SECTION		
Frequency Range	FM	87.5 MHz to 108.0 MHz
	AM	(MW) 522 kHz to 1 620 kHz (LW) 144 kHz to 279 kHz
FM Tuner	Usable Sensitivity	11.3 dBf (1.0 μ V/75 Ω)
	50 dB Quieting Sensitivity	16.3 dBf (1.8 μ V/75 Ω)
	Alternate Channel Selectivity (400 kHz)	65 dB
	Frequency Response	40 Hz to 15 000 Hz
	Stereo Separation	35 dB
	Capture Ratio	1.5 dB
MW Tuner	Sensitivity	20 μ V
	Selectivity	35 dB
LW Tuner	Sensitivity	50 μ V
DVD/CD PLAYER SECTION		
Signal Detection System		Non-contact optical pickup (semiconductor laser)
Number of Channels		2 channels (stereo)
Frequency Response	DVD fs=48 kHz	16 Hz to 22 000 Hz
	DVD fs=96 kHz	16 Hz to 44 000 Hz
	VCD, CD	16 Hz to 20 000 Hz
Dynamic Range		93 dB
Signal-to-Noise Ratio		95 dB
Wow and Flutter		Less than measurable limit
MP3	Max. Bit Rate	320 kbps
WMA (Windows Media Audio)	Max. Bit Rate	192 kbps
MONITOR SECTION		
Screen		3-inch liquid crystal panel
Number of Pixels		123 200 pixels
Drive Method		TFT (Thin Film Transistor) active matrix format
Color System		PAL
GENERAL		
Power Requirement	Operating Voltage	DC 14.4 V (11 V to 16 V allowance)
Grounding System		Negative ground
Allowable Operating Temperature		0°C to +40°C
Dimensions (W \times H \times D)	Installation Size (approx.)	182 mm \times 52 mm \times 160 mm
	Panel Size (approx.)	188 mm \times 58 mm \times 18 mm
Mass (approx.)		2.0 kg (excluding accessories)


for ASIA & AUSTRALIA version


AUDIO AMPLIFIER SECTION		
Maximum Power Output	Front	50 W per channel
	Rear	50 W per channel
Continuous Power Output (RMS)	Front	20 W per channel into 4 Ω , 40 Hz to 20 000 Hz at no more than 0.8% total harmonic distortion.
	Rear	20 W per channel into 4 Ω , 40 Hz to 20 000 Hz at no more than 0.8% total harmonic distortion.
Load Impedance		4 Ω (4 Ω to 8 Ω allowance)
Equalizer Control Range	Frequencies	60 Hz, 150 Hz, 400 Hz, 1 kHz, 2.5 kHz, 6.3 kHz, 15 kHz
	Level	\pm 10 dB
Signal-to-Noise Ratio		70 dB
Line-In Level/Impedance		1.5 V/20 k Ω load
Line-Out Level/Impedance		5.0 V/20 k Ω load (full scale)
Output Impedance		1 k Ω
Subwoofer-Out Level/Impedance		2.0 V/20 k Ω load (full scale)
Color System		NTSC/PAL
Video Input (composite)		1 V _{p-p} /75 Ω
Video Output (composite)		1 V _{p-p} /75 Ω
Other Terminals		2nd AUDIO OUT, DIGITAL OUT (optical), CD changer
TUNER SECTION		
Frequency Range	FM	87.5 MHz to 108.0 MHz
	AM	531 kHz to 1 602 kHz
FM Tuner	Usable Sensitivity	11.3 dBf (1.0 μ V/75 Ω)
	50 dB Quieting Sensitivity	16.3 dBf (1.8 μ V/75 Ω)
	Alternate Channel Selectivity (400 kHz)	65 dB
	Frequency Response	40 Hz to 15 000 Hz
	Stereo Separation	35 dB
	Capture Ratio	1.5 dB
AM Tuner	Sensitivity	20 μ V
	Selectivity	35 dB
DVD/CD PLAYER SECTION		
Signal Detection System		Non-contact optical pickup (semiconductor laser)
Number of Channels		2 channels (stereo)
Frequency Response	DVD fs=48 kHz	16 Hz to 22 000 Hz
	DVD fs=96 kHz	16 Hz to 44 000 Hz
	VCD, CD	16 Hz to 20 000 Hz
Dynamic Range		93 dB
Signal-to-Noise Ratio		95 dB
Wow and Flutter		Less than measurable limit
MP3		Max. Bit Rate: 320 kbps
WMA (Windows Media Audio)	Max. Bit Rate	192 kbps
MONITOR SECTION		
Screen		3-inch liquid crystal panel
Number of Pixels		123 200 pixels
Drive Method		TFT (Thin Film Transistor) active matrix format
Color system		NTSC/PAL
GENERAL		
Power Requirement	Operating Voltage	DC 14.4 V (11 V to 16 V allowance)
Grounding System		Negative ground
Allowable Operating Temperature		0°C to +40°C
Dimensions (W \times H \times D)	Installation Size (approx.)	182 mm \times 52 mm \times 160 mm
	Panel Size (approx.)	188 mm \times 58 mm \times 18 mm
Mass (approx.)		2.0 kg (excluding accessories)

Design and specifications are subject to change without notice.

SECTION 1 PRECAUTIONS

1.1 Safety Precautions

 **CAUTION** Burrs formed during molding may be left over on some parts of the chassis. Therefore, pay attention to such burrs in the case of performing repair of this system.

 **CAUTION** Please use enough caution not to see the beam directly or touch it in case of an adjustment or operation check.

1.2 Preventing static electricity

Electrostatic discharge (ESD), which occurs when static electricity stored in the body, fabric, etc. is discharged, can destroy the laser diode in the traverse unit (optical pickup). Take care to prevent this when performing repairs.

1.2.1 Grounding to prevent damage by static electricity

Static electricity in the work area can destroy the optical pickup (laser diode) in devices such as CD players.

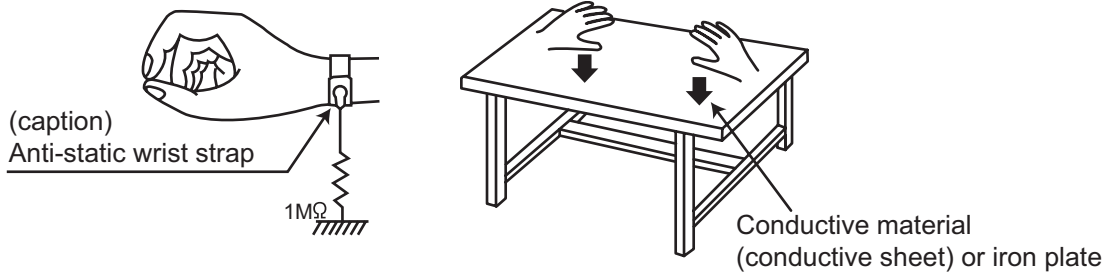
Be careful to use proper grounding in the area where repairs are being performed.

(1) Ground the workbench

Ground the workbench by laying conductive material (such as a conductive sheet) or an iron plate over it before placing the traverse unit (optical pickup) on it.

(2) Ground yourself

Use an anti-static wrist strap to release any static electricity built up in your body.



(3) Handling the optical pickup

- In order to maintain quality during transport and before installation, both sides of the laser diode on the replacement optical pickup are shorted. After replacement, return the shorted parts to their original condition. (Refer to the text.)
- Do not use a tester to check the condition of the laser diode in the optical pickup. The tester's internal power source can easily destroy the laser diode.

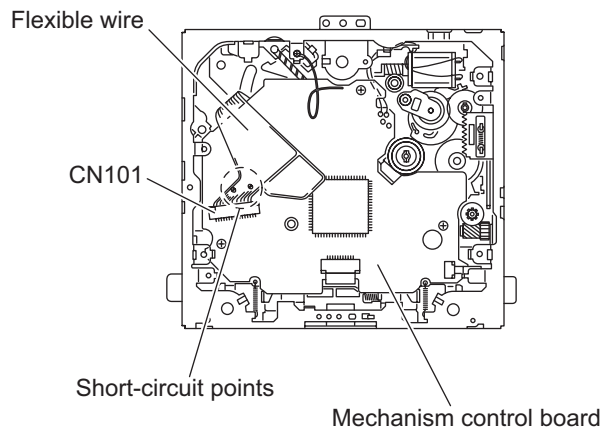
1.3 Handling the traverse unit (optical pickup)

- (1) Before disconnecting the flexible wire from the connector [CN101](#) on the mechanism control board, solder the short-circuit points on the flexible wire.

Caution:

If you do not follow this instruction, the DVD pickup may be damaged.

- (2) Disconnect the flexible wire from the connector [CN101](#) on the mechanism control board.
- (3) Remove the solders from the short-circuit points on the flexible wire after replacing the DVD pickup.
- (4) Connect the flexible wire to the connector [CN101](#) on the mechanism control board.



1.4 Important for laser products

1.CLASS 1 LASER PRODUCT


2.DANGER : Invisible laser radiation when open and interlock failed or defeated. Avoid direct exposure to beam.

3.CAUTION : There are no serviceable parts inside the Laser Unit. Do not disassemble the Laser Unit. Replace the complete Laser Unit if it malfunctions.

4.CAUTION : The CD,MD and DVD player uses invisible laser radiation and is equipped with safety switches which prevent emission of radiation when the drawer is open and the safety interlocks have failed or are defeated. It is dangerous to defeat the safety switches.

5.CAUTION : If safety switches malfunction, the laser is able to function.

6.CAUTION : Use of controls, adjustments or performance of procedures other than those specified here in may result in hazardous radiation exposure.

 **CAUTION** Please use enough caution not to see the beam directly or touch it in case of an adjustment or operation check.

CAUTION : Visible and invisible laser radiation when open and interlock failed or defeated.
AVOID DIRECT EXPOSURE TO BEAM.

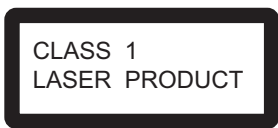
ADVARSEL : Synlig og usynlig laserstråling når maskinen er åben eller interlocken fejler. Undgå direkte eksponering til stråling.

VARNING : Synlig och osynlig laserstråling när den öppnas och spärren är urkopplad. Betrakta ej strålen.

VARO : Avattaessa ja suojalukitus ohitettuna tai viallisena olet alltiina näkyvälle ja näkymättömälle lasersäteilylle. Vältä säteen kohdistumista suoraan itseesi.

REPRODUCTION AND POSITION OF LABELS

WARNING LABEL



CAUTION : Visible and invisible laser radiation when open and interlock failed or defeated. AVOID DIRECT EXPOSURE TO BEAM. (e)	ADVARSEL : Synlig og usynlig laserstråling når maskinen er åben eller interlocken fejler. Undgå direkte eksponering til stråling. (d)	VARNING : Synlig och osynlig laserstråling när den öppnas och spärren är urkopplad. Betrakta ej strålen. (s)	VARO : Avattaessa ja suojalukitus ohitettuna tai viallisena olet alltiina näkyvälle ja näkymättömälle lasersäteilylle. Vältä säteen kohdistumista suoraan itseesi. (f)
---	--	---	---

SECTION 2
SPECIFIC SERVICE INSTRUCTIONS

This service manual does not describe SPECIFIC SERVICE INSTRUCTIONS.

SECTION 3 DISASSEMBLY

3.1 Main body section

3.1.1 Removing the panel assembly (See Fig.1)

- (1) Push the button(detach) in the lower right part of the panel assembly.
- (2) Remove the panel assembly.

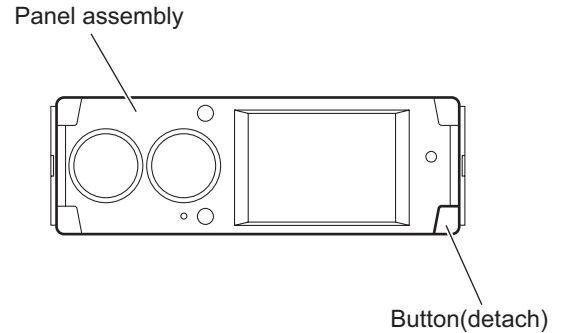


Fig.1

3.1.2 Removing the side heat sink (See Fig.2)

Reference:

Remove the panel assembly as required.

- (1) From the left side of the main body, remove the two screws **A** and three screws **B** attaching the side heat sink.
- (2) Remove the side heat sink from the main body.

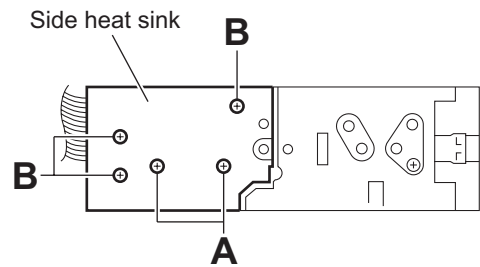


Fig.2

3.1.3 Removing the top chassis assembly (See Figs.3 to 6)

- Remove the panel assembly and side heat sink.
 - From the top side of the main body, remove the two screws **C** attaching the top chassis assembly. (See Fig.3.)
 - From the back side of the main body, remove the two screws **C** attaching the top chassis assembly. (See Fig.4.)
 - From the both sides of the main body, remove the two screws **C** and screw **D** attaching the top chassis assembly. (See Figs.5 and 6.)
 - Lift the top chassis assembly in the direction of the arrow and disconnect the connector **CN966** on the main sub board from the connector **CN961** on the main board. (See Fig.6.)
 - Take out the top chassis assembly from the main body.

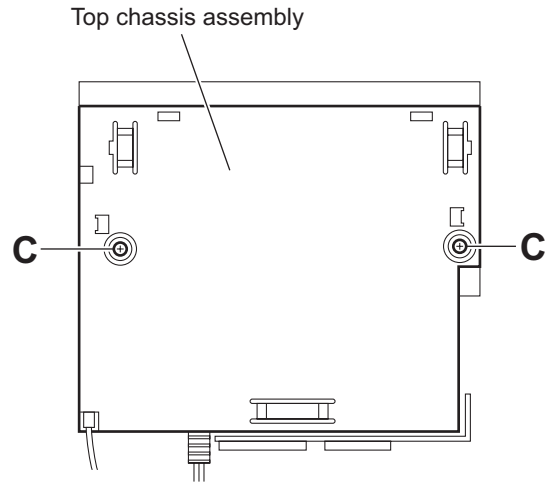


Fig.3

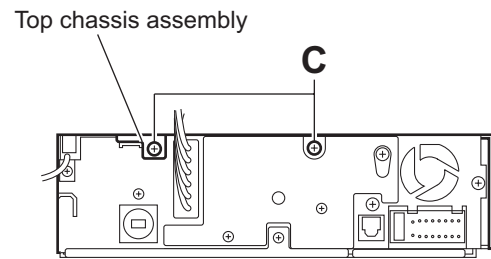


Fig.4

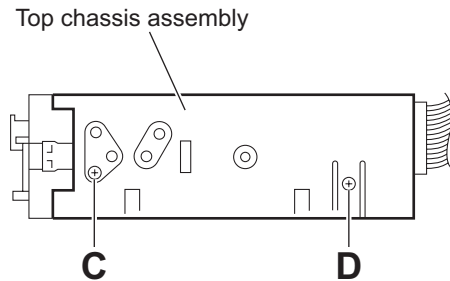


Fig.5

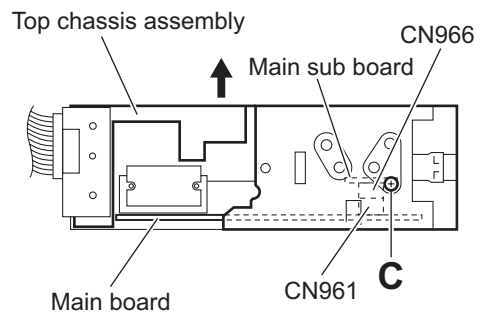


Fig.6

**3.1.4 Removing the front chassis assembly
(See Fig.7)**

- Remove the panel assembly, side heat sink and top chassis assembly.
 - (1) From the both sides of the top chassis assembly, remove the two screws **E** attaching the front chassis assembly.
 - (2) Remove the front chassis assembly from the top chassis assembly.

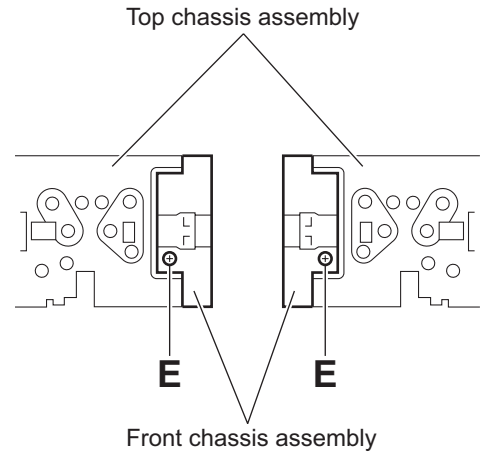


Fig.7

**3.1.5 Removing the DVD mechanism assembly
(See Figs.8 and 9)**

- Remove the panel assembly, side heat sink and top chassis assembly.

Reference:

Remove the front chassis assembly as required.

- (1) From the inside of the top chassis assembly, remove the three screws **F** attaching the DVD mechanism assembly and take out the DVD mechanism assembly. (See Fig.8.)
- (2) From the side of the DVD mechanism assembly, remove the double-stick tape fixing the insulator. (See Fig.9.)
- (3) From the top side of the DVD mechanism assembly, remove the spacer attaching the insulator. (See Fig.9.)
- (4) Remove the insulator from the top chassis assembly.

Reference:

When the resolution of DVD mechanism assembly is done sequentially, remove the main sub board. (See next Fig.10.)

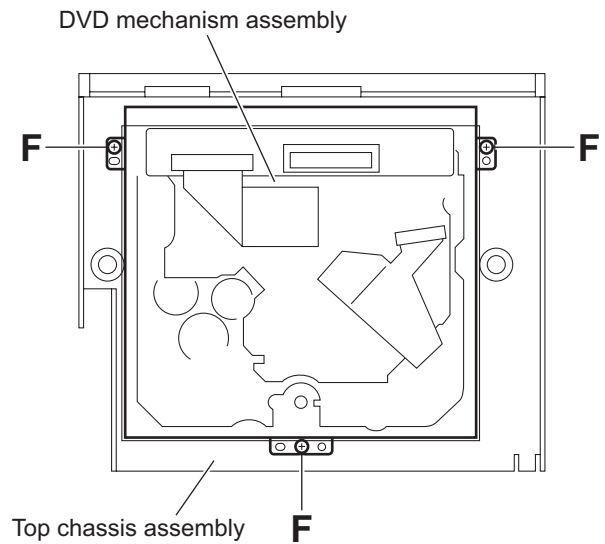


Fig.8

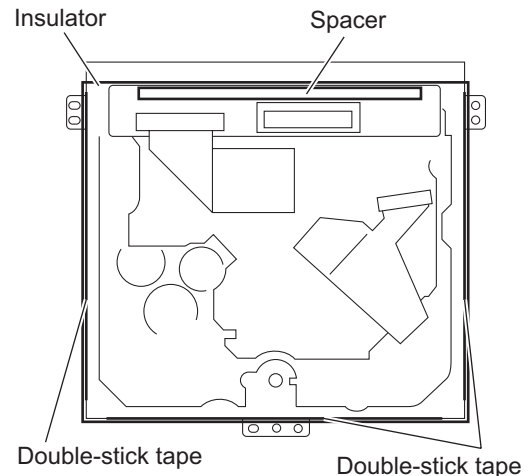


Fig.9

3.1.6 Removing the main sub board (See Fig.10)

- Remove the panel assembly, side heat sink, top chassis assembly and DVD mechanism assembly.
 - From the top side of the DVD mechanism assembly, release the lock of the connector [CN965](#) on the main sub board and disconnect the card wire.
 - Remove the two screws **G** attaching the main sub board on the DVD mechanism assembly and remove the main sub board.

Reference:

When attaching the main sub board, align the projections **a** in the holes of the main sub board before attaching the screws **G**.

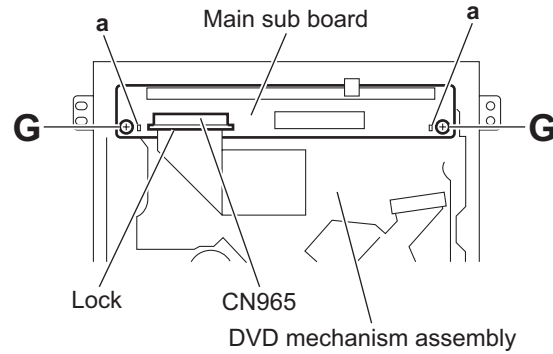


Fig.10

3.1.7 Removing the loading unit assembly (See Fig.11)

- Remove the panel assembly, side heat sink and top chassis assembly.
 - From the inside of the main body, disconnect the wire from the connector [CN881](#) on the main board.
 - Remove the two screws **H** attaching the loading unit assembly.
 - Remove the tension spring and take out the loading unit assembly.

Note:

When disassembling, do not lose the tension spring.

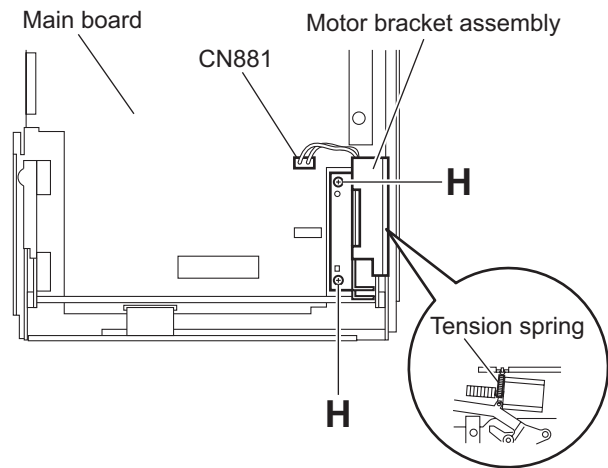


Fig.11

3.1.8 Removing the arm bracket assemblies (L)/(R) (See Fig.12)

- Remove the panel assembly, side heat sink, top chassis assembly and loading unit assembly.
 - Remove the two screws **J** and screw **K** attaching the arm bracket assembly (L).
 - Take out the arm bracket assembly (L).
 - Remove the two screws **J** and screw **K** attaching the arm bracket assembly (R).
 - Take out the arm bracket assembly (R).

3.1.9 Removing the front bracket assembly (See Fig.12.)

- Remove the panel assembly, side heat sink and top chassis assembly.
 - Release the lock of the connector [CN962](#) on the main board in an upward direction and disconnect the flexible wire.
 - Remove the four screws **K** attaching the front bracket assembly and take out the front bracket assembly.

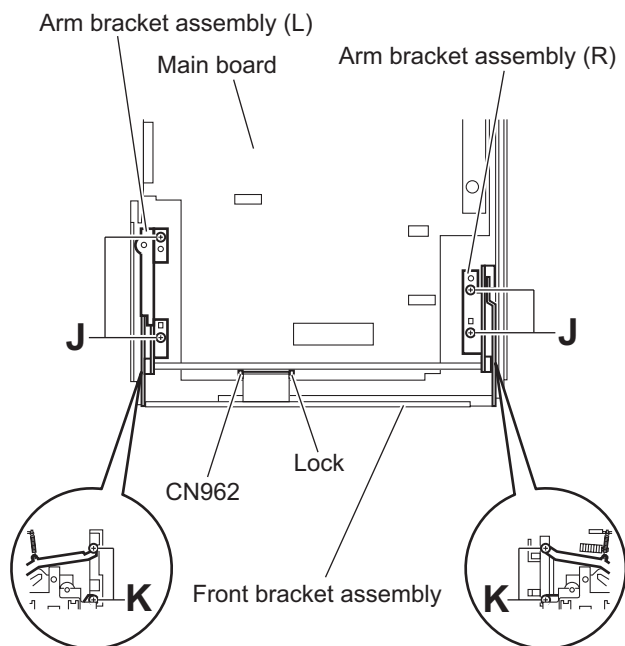


Fig.12

3.1.10 Removing the connector board (See Figs.13 to 15)

- Remove the panel assembly, side heat sink, top chassis assembly and front bracket assembly.

- (1) From the front side of the front bracket assembly, remove the two screws **M**. (See Fig.13.)
- (2) Remove the joints **b** and remove the detach lever from the front bracket assembly. (See Fig.13.)

Reference:

When attaching the detach lever, insert the end of the torsion spring in the hole **c** of the front bracket assembly. (See Fig.13.)

- (3) From the back side of the front bracket assembly, remove the screw **N** attaching the connector cover. (See Fig.14.)
- (4) Remove the connector cover in the direction of the arrow while releasing the tabs **d** in an upward direction. (See Fig.14.)
- (5) Remove the reinforce plate and take out the connector board from the front bracket assembly. (See Fig.15.)

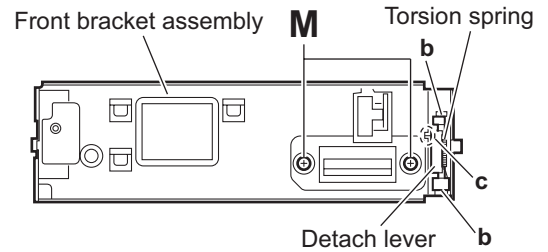


Fig.13

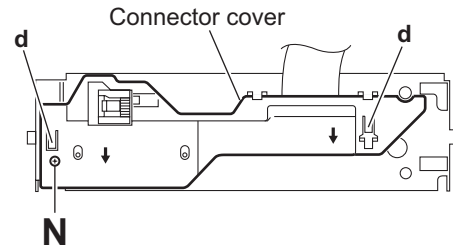


Fig.14

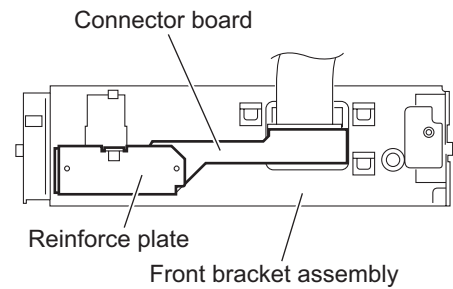


Fig.15

3.1.11 Removing the main board (See Figs.16 and 17)

- Remove the panel assembly, side heat sink, top chassis assembly, loading unit assembly and arm bracket assemblies (L)/(R).

- From the back side of the main body, remove the screw **P** attaching the rear bracket. (See Fig.16.)
- From the top side of the main body, take out the rod gear. (See Fig.17.)

Reference:

When attaching the rod gear, attach the washers with it as before. (See Fig.17.)

- Release the lock of the connector [CN962](#) on the main board in an upward direction and disconnect the flexible wire. (See Fig.17.)
- Release the lock of the connector [CN891](#) and disconnect the card wire. (See Fig.17.)
- Remove the three screws **P** attaching the main board to the bottom chassis assembly. (See Fig.17.)
- Take out the main board from the bottom chassis assembly.

Reference:

When attaching the main board, attach the main board under the sections **e** of the bottom chassis assembly as before. (See Fig.17.)

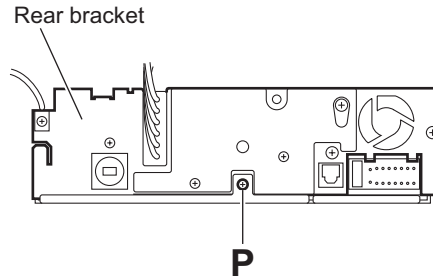


Fig.16

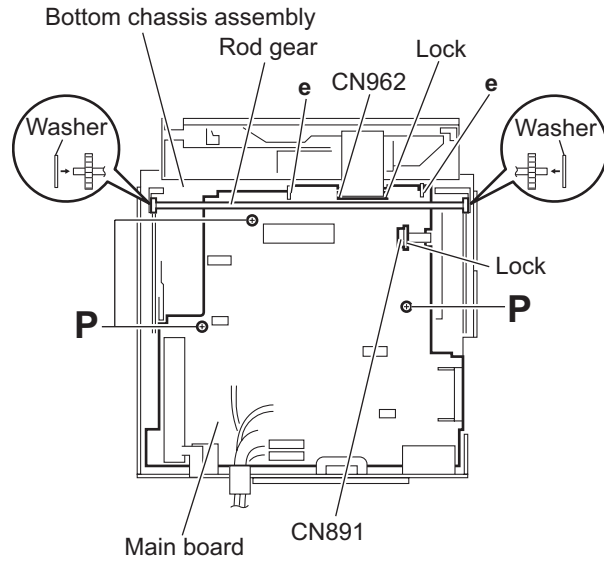


Fig.17

3.1.12 Removing the rear bracket

(See Fig.18)

- Remove the panel assembly, side heat sink, top chassis assembly, loading unit assembly, arm bracket assemblies (L)/(R) and main board.

- From the back side of the main board, remove the two screws **Q** attaching the rear heat sink.
- Remove the three screws **R**, screw **R'** and screw **S** attaching the rear bracket.

Reference:

When attaching the screw **R'**, attach the wire holder with it as before.

- Remove the joints **f** of the rear bracket in the direction of the arrow.
- Remove the car cable in the direction of the arrow from the rear bracket.

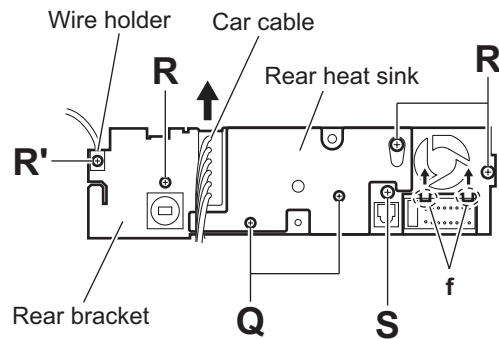


Fig.18

3.1.13 Removing the panel switch board

(See Fig.19)

- Remove the panel assembly, side heat sink, top chassis assembly, loading unit assembly, arm bracket assemblies (L)/(R) and main board.

- From the inside of the bottom chassis assembly, take out the insulator.
- Remove the two screws **T** attaching the panel switch board.
- Take out the panel switch board from the bottom chassis assembly.

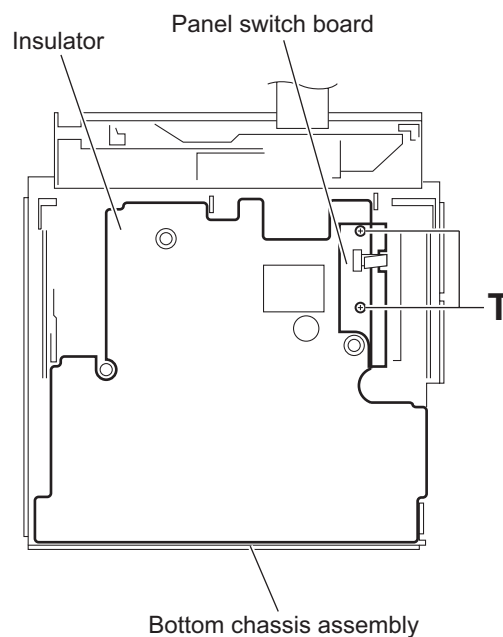


Fig.19

3.1.14 Removing the panel board (See Figs.20 and 21)

- Remove the panel assembly.
 - From the back side of the panel assembly, remove the seven screws **U** attaching the rear cover to the panel assembly. (See Fig.20.)
 - From the inside of the rear cover, release the lock of the connector [CN582](#) on the panel board and disconnect the card wire. (See Fig.21.)
 - Remove the five screws **V** attaching the panel board and take out the panel board from the rear cover. (See Fig.21.)

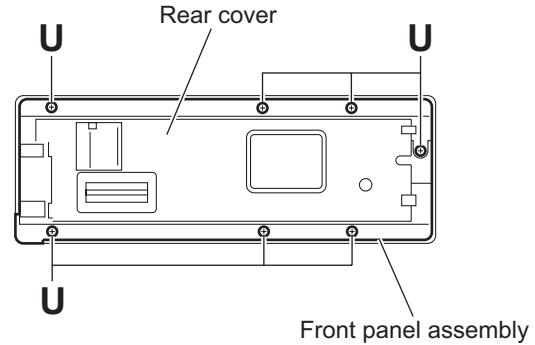


Fig.20

3.1.15 Removing the switch board (See Figs.20 and 22)

- Remove the panel assembly.
 - From the back side of the panel assembly, remove the seven screws **U** attaching the rear cover to the panel assembly. (See Fig.20.)
 - From the inside of the panel assembly, release the lock of the connector [CN583](#) on the switch board and disconnect the card wire. (See Fig.22.)
 - Take out the switch board from the panel assembly. Take out the switch board from the panel assembly.

Note:

Do not lose the compression spring when taking out the switch board. (See Fig.22.)

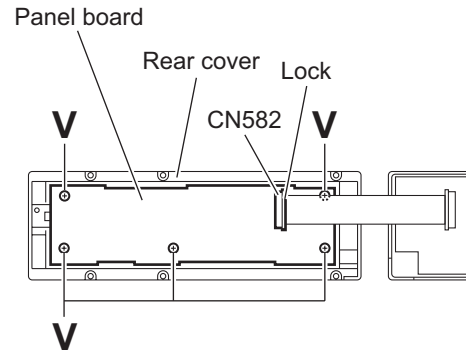


Fig.21

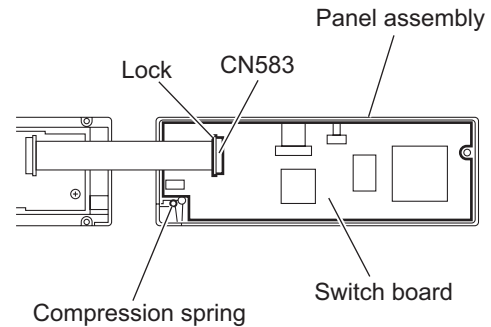


Fig.22

3.2 DVD mechanism assembly

3.2.1 Removing the mechanism control board (See Fig.1)

Caution:

Before disconnecting the flexible wire extending from the DVD pickup, solder the short-circuit point on the flexible wire using a grounding soldering iron. If you do not follow this instruction, the DVD pickup may be damaged.

- (1) Turn over the body, and solder the short-circuit points on the flexible wire extending from the DVD pickup.
- (2) Disconnect the flexible wire from connector [CN101](#) on the mechanism control board.
- (3) Disconnect the card wire from connector [CN201](#) on the mechanism control board.
- (4) Disconnect the flexible wire from connector [CN202](#) on the mechanism control board.
- (5) Unsolder two soldered points **a** on the mechanism control board and remove the wire extending from the feed motor.
- (6) Remove the screw **A** attaching the lug wire.
- (7) Remove the two screws **B** and screw **C** attaching the mechanism control board.

Caution:

- As the flexible wire to be connected to [CN101](#), make sure to attach it to the mechanism control board using a double tape.
- After reassembling, unsolder the short-circuit points.

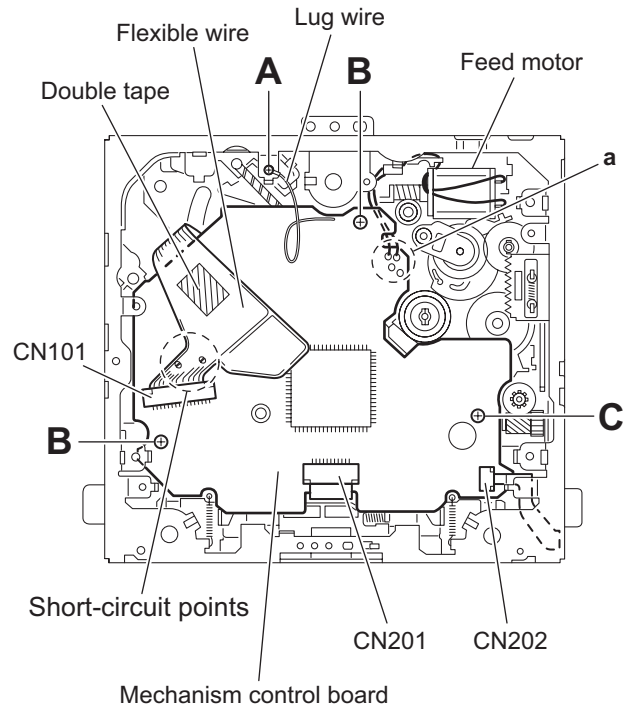


Fig.1

3.2.2 Removing the top cover (See Fig.2)

- (1) Remove the two screws **D** attaching the top cover on the back of the body.
- (2) Remove the top cover upward.

Reference:

When reassembling, set part **b** of the top cover under the bending part **c** of the chassis frame.

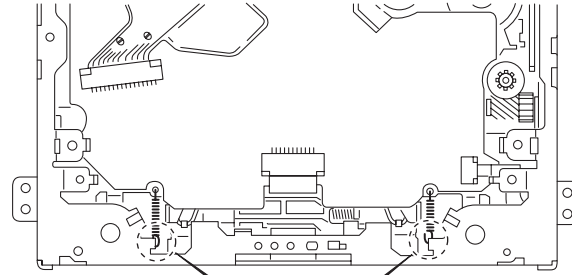
3.2.3 Removing the mechanism section (See Fig.2 to 4)

- Remove the top cover.
 - (1) From the bottom of the body, remove the screw **E** attaching the lug wire. (See Fig.2.)
 - (2) Remove the two screws **F** attaching the right and left stoppers on the front side. (See Fig.2.)
 - (3) Remove the two floating springs on the bottom of the body. (See Fig.3.)
 - (4) Move the mechanism section upward and remove from the chassis frame.

The three damper springs come off from the dampers. (See Fig.4.)

Caution:

- When reassembling, reattach the damper spring to the damper respectively and insert the three shafts on the bottom of the mechanism to the dampers.
- Before inserting the shaft to the dampers, apply IPA to the hole of damper.



Floating spring

Fig.3

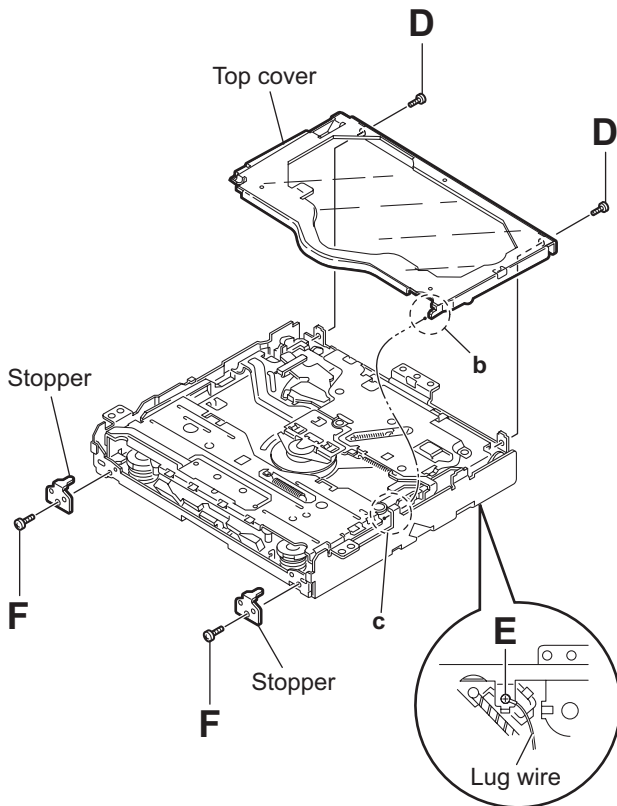


Fig.2

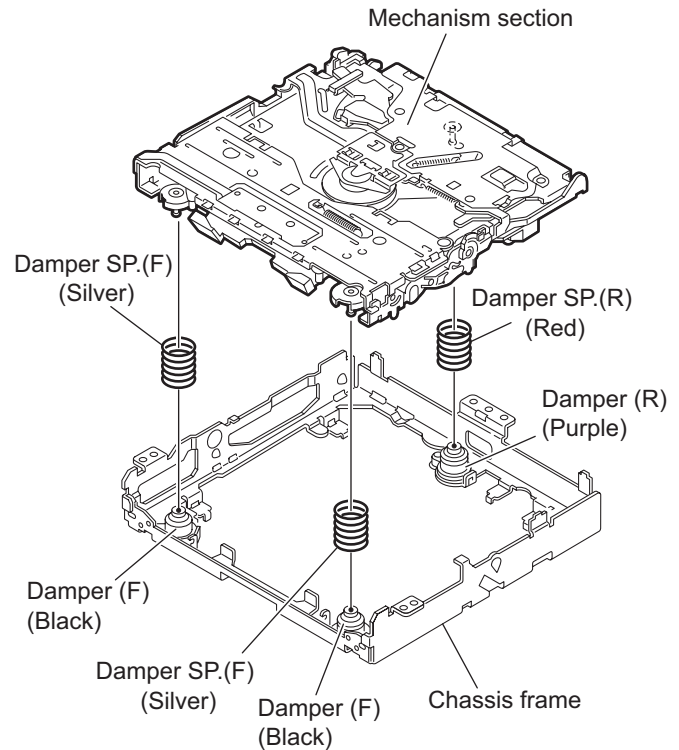


Fig.4

**3.2.4 Removing the clamber unit
(See Fig.5 to 7)**

- Remove the top cover and the mechanism section.
 - (1) Remove the clamber2 spring on the bottom of the mechanism section. (See Figs.5.and 6.)
 - (2) Release the part **d** of the clamber spring from the bending part of the chassis base assembly. (See Fig.7.)
 - (3) Move the clamber unit in the direction of the arrow and turn. Release the two joints **e** and **f**, then remove the clamber unit upward. (See Fig.6.)

**3.2.5 Reattaching the clamber unit
(See Fig.5 to 9)**

- (1) Attach the clamber spring to the clamber unit. (See Fig.8.)
- (2) Move the clamber unit to set the side joints **e** and **f** to each boss of the chassis base assembly. Make sure that part **g** is inserted to the notch of the chassis base assembly. (See Figs.5 and 9.)
- (3) Move the part **d** of the clamber spring to the outside of the bending part of the chassis base assembly. (See Fig.7.)
- (4) Attach the clamber2 spring to the chassis base assembly. (See Figs.5 and 6.)

Caution:

When reattaching, temporarily hook the end of the clamber spring as shown in the figure to make the work easy. (See Fig.8.)

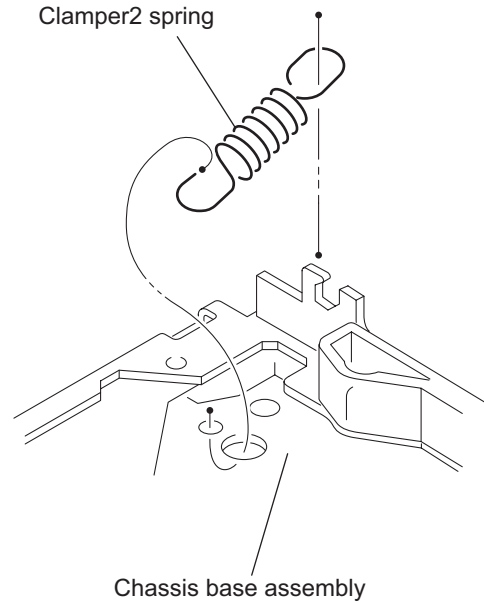


Fig.6

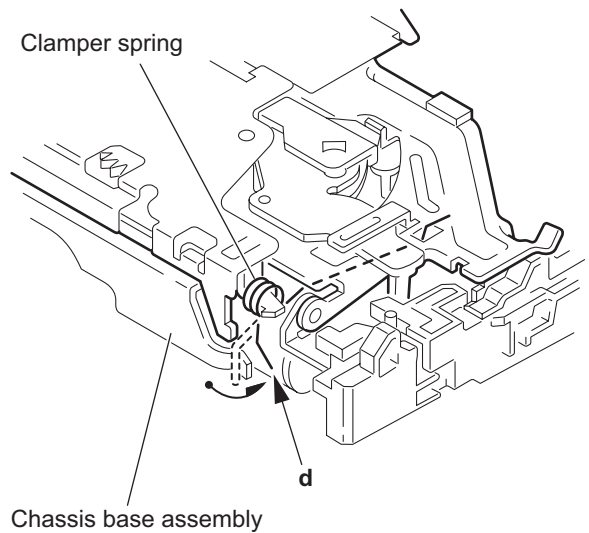


Fig.7

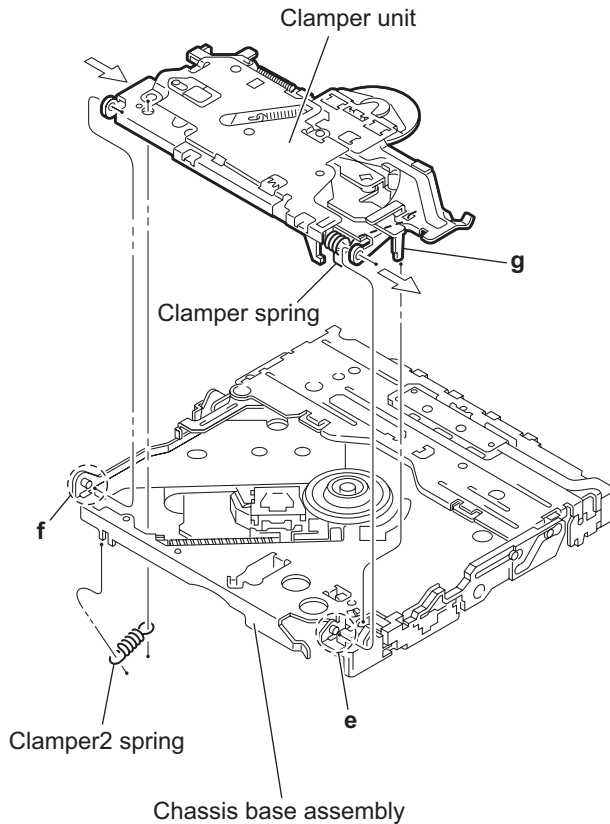


Fig.5

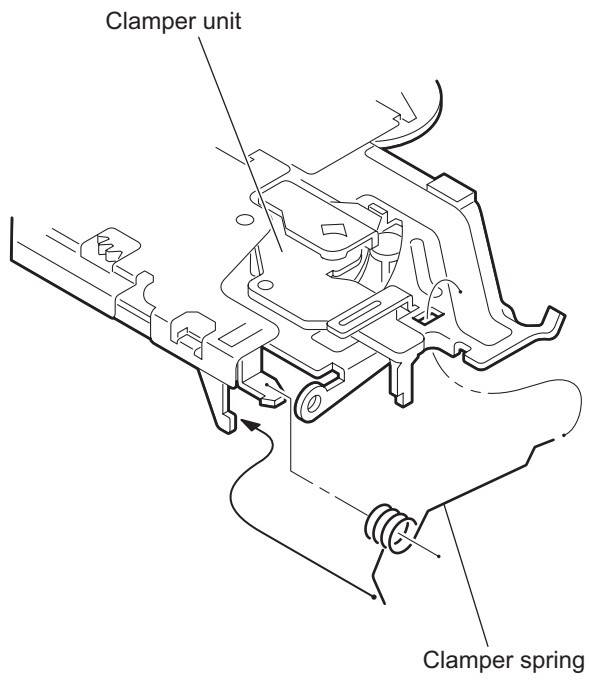


Fig.8

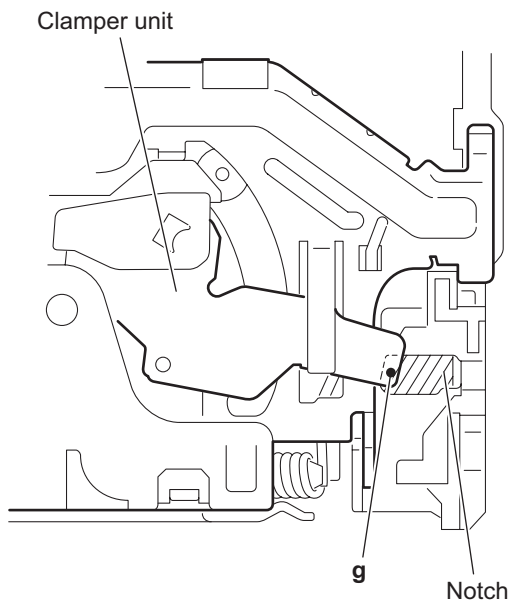


Fig.9

3.2.6 Removing the front unit (See Fig.10 to 12)

- Remove the top cover and the mechanism section.
 - Disconnect the flexible wire from connector [CN202](#) on the mechanism control board at the bottom of the body. (See Fig.10.)
 - Remove the screw **G** attaching the front unit on the top of the body. (See Fig.11.)
 - Move the front unit toward the front to release joint **h**, and release two joints **i** and **j** on the right side of the chassis base assembly. Then remove the front unit upward. (See Figs.11 and 12.)
 - Remove the two screws **H** attaching the switch board. (See Fig.12.)

Reference:

You can remove the switch board only without removing the front unit.

Caution:

When reassembling, attach the flexible wire extending from the switch board using the double tape. (See Figs.10 and 12.)

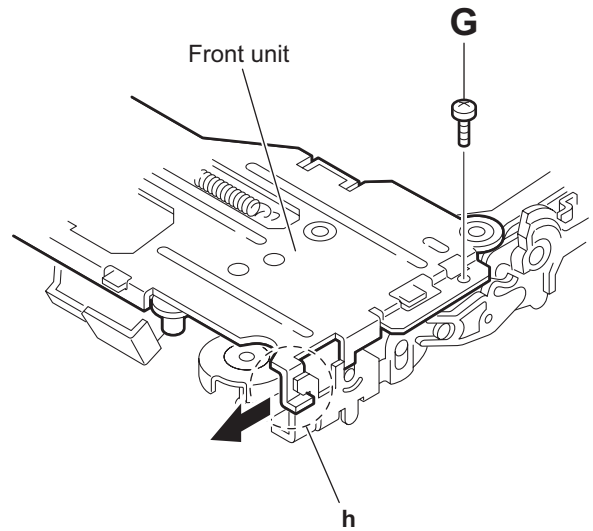


Fig.11

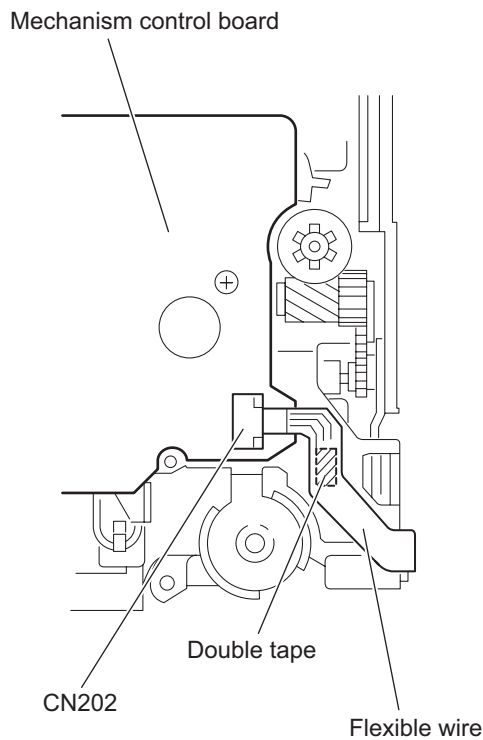


Fig.10

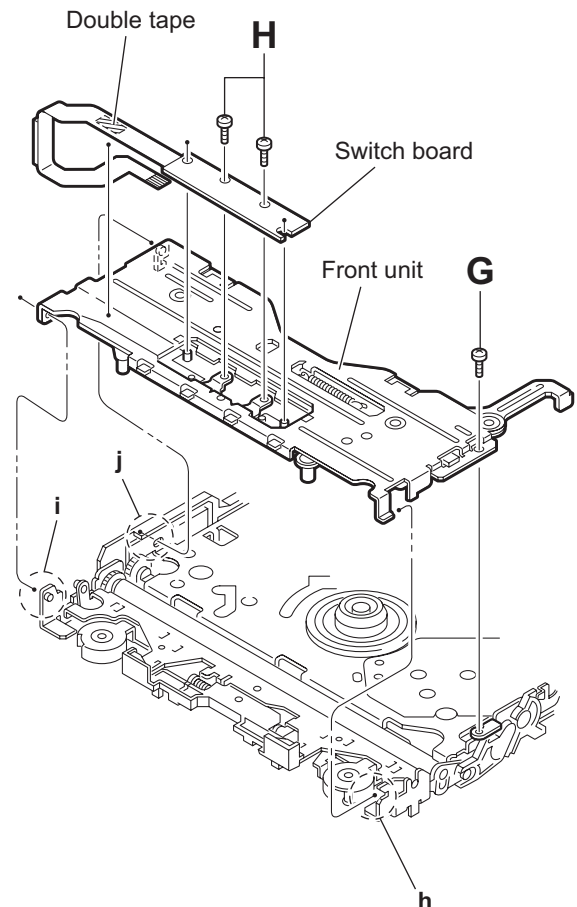


Fig.12

3.2.7 Removing the loading arm assembly (See Fig.13 , 14)

- Remove the top cover, the mechanism section and the front unit.
 - (1) From the top of the body, move the loading arm assembly from the front side upward, and release the bosses from the right and left joints **k** and **m** of the chassis base assembly.
 - (2) Release the boss from notch **n** of the connect arm on the right side of the body, and release the boss from notch **p** of the side cam assembly on the left side.

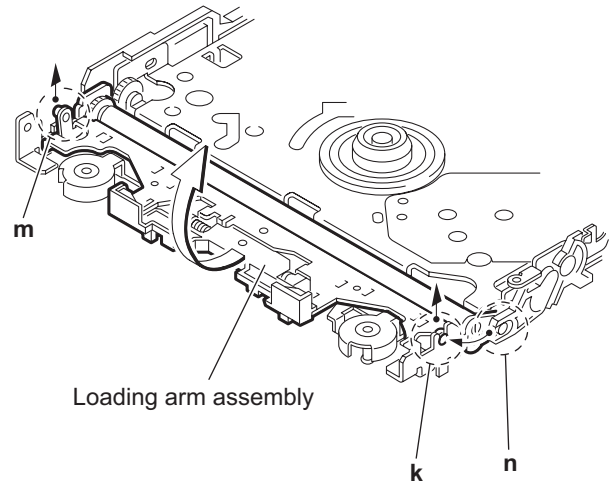


Fig.13

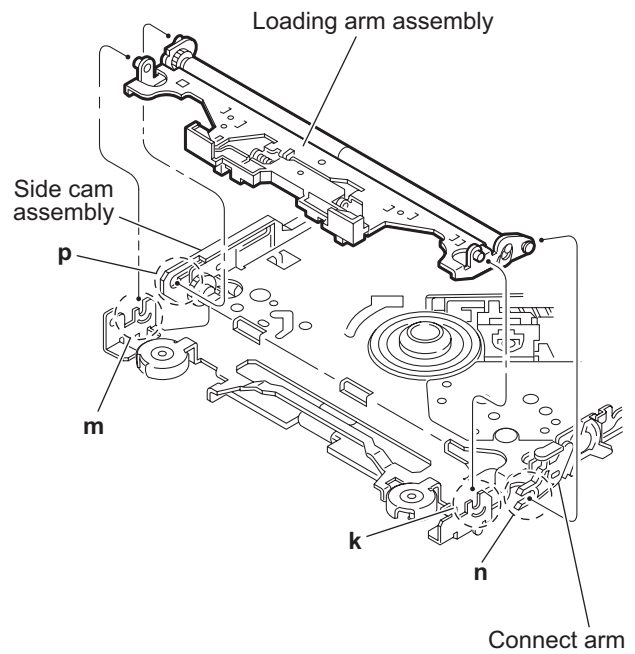


Fig.14

3.2.8 Removing the rod (L)(R)/roller assembly (See Fig.15 and 16)

- Remove the top cover, the mechanism section, the front unit and the loading arm assembly.
 - Release the rod (L) and (R) from the joints **q** at the bottom of the loading arm assembly (See Fig.15.)
 - Remove the roller assembly from the loading arm assembly. (See Fig.16.)
 - Remove the two collars and washer from the roller assembly. (See Fig.16.)

Caution:

After attaching the loading arm assembly to the roller assembly, attach the rod (L) and (R). Attach the rods to the right and left collars of the roller. (See Fig.15.)

When reattaching the rod (L) and (R) to the loading arm assembly, engage each joint as shown in Fig.15. As joints **q** of the rod (L), let the rod through **q** before reattaching it.

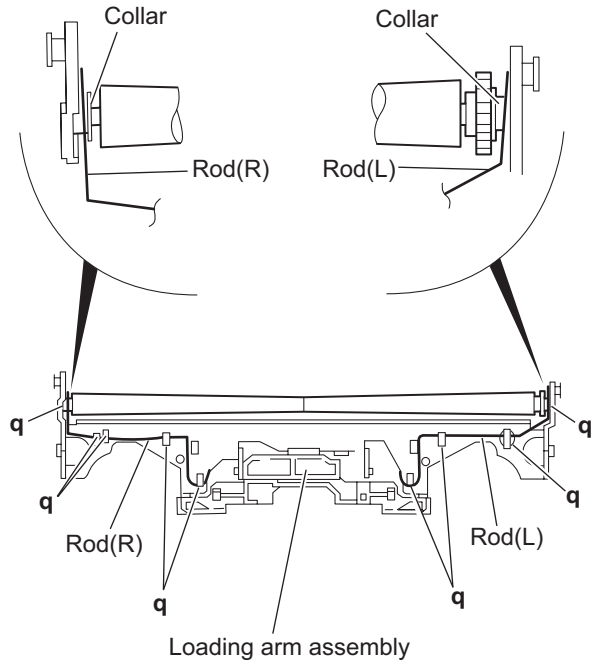


Fig.15

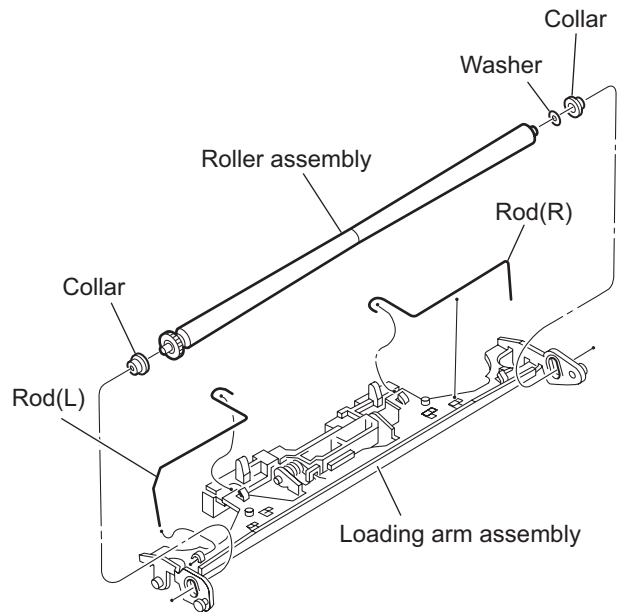


Fig.16

3.2.9 Removing the DVD pickup assembly (See Fig.17 to 19)

- Remove the mechanism control board.
 - (1) From the bottom of the body, turn the feed gear in the direction of the arrow to move the DVD pickup outwards. (See Fig.17.)
 - (2) Remove the screw **J** attaching the thrust spring. (See Fig.17.)
 - (3) Remove the DVD pickup assembly upward on the L.S.gear side and release from sub shaft at joint **r**. Move the lead screw of the DVD pickup assembly in the direction of the arrow to release from joint **s**. (See Fig.18.)

Caution:

- When releasing the lead screw at joint **s**, the L.S.collar comes off at the end of the lead screw. When reassembling, reattach the L.S.collar to the lead screw and engage joint **s**. (See Fig.18.)
 - When reattaching the L.S.collar, reattach it to the point **s** of the lead screw, and to the rod (M). Make sure that the L.S.collar is set on the rod (M) spring. (See Fig.18.)
- (4) Remove the screw **K** attaching the rack spring/ rack plate on the DVD pickup. (See Fig.19.)
 - (5) Pull out the lead screw. (See Fig.19.)

Caution:

Perform adjustment after replacing the pickup.

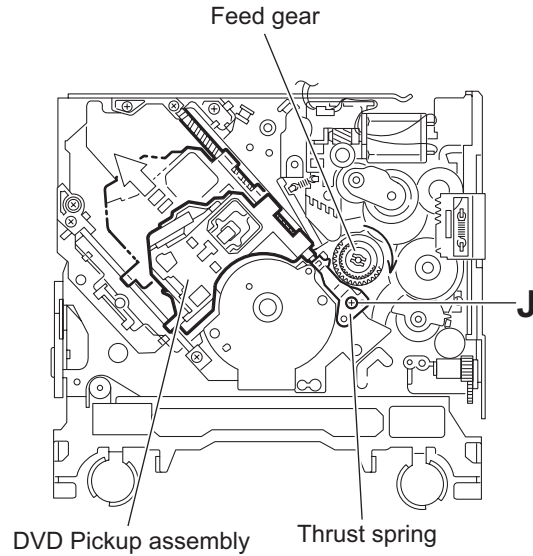


Fig.17

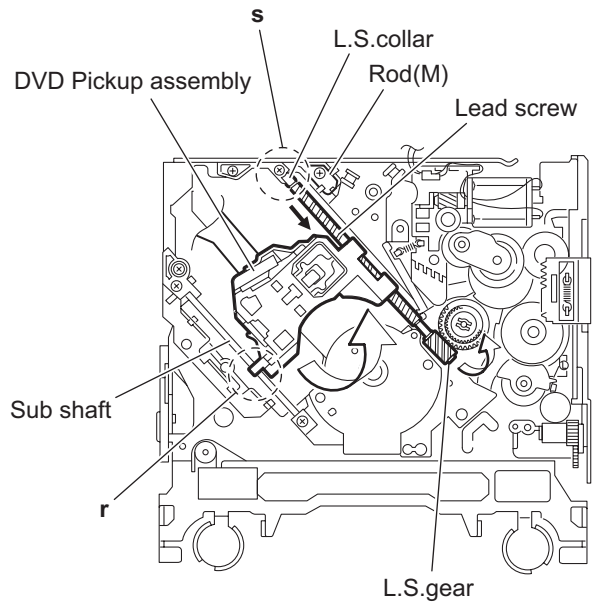


Fig.18

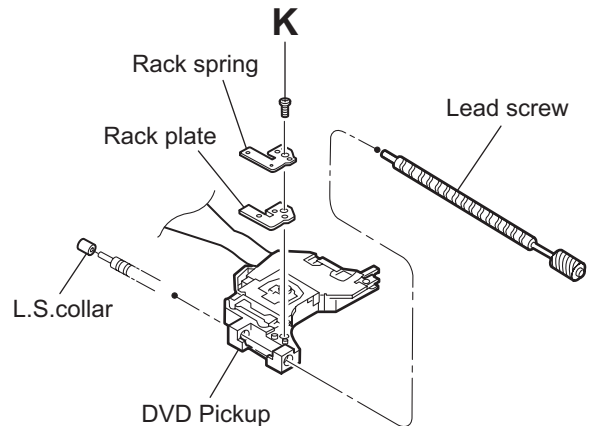


Fig.19

3.2.10 Removing the spindle motor (See Fig.20)

- Remove the mechanism control board.
Remove the two screws **L** attaching the spindle motor on the bottom of the body.

Caution:

Perform adjustment when reattaching the spindle motor.

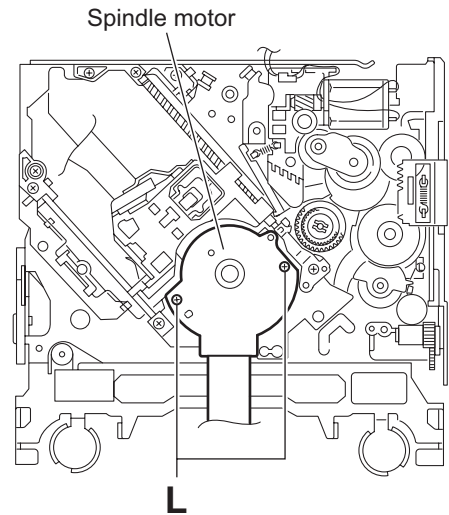


Fig.20

3.2.11 Removing the feed motor assembly (See Fig.21 and 22)

- Remove the mechanism control board.
 - Remove the feed TRI. spring on the bottom of the body.
(See Fig.21.)
 - Remove the two screws **M** attaching the feed motor assembly. (See Fig.21.)
 - Remove the slit washer from the motor H. assembly and pull out the worm wheel. (See Fig.22.)

Remove the two screws **N** attaching the feed motor. (See Fig.22.)

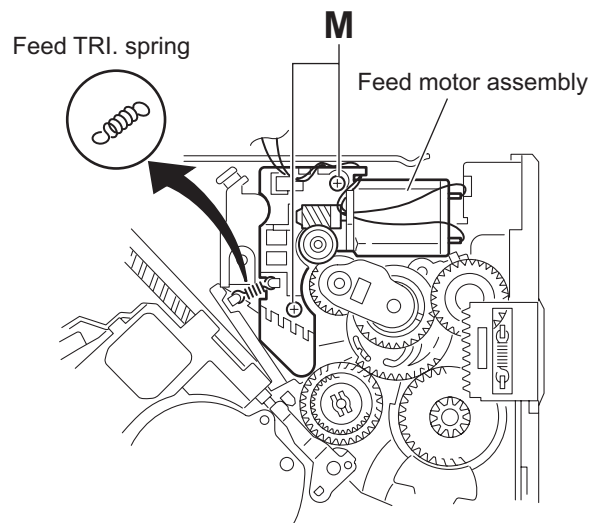


Fig.21

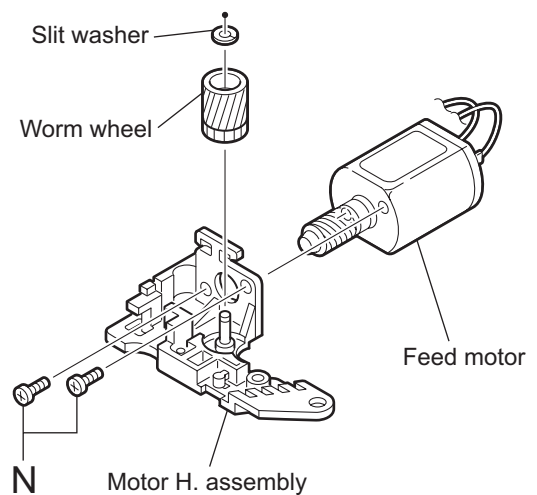


Fig.22

SECTION 4 ADJUSTMENT

4.1 Test instruments required for adjustment

- (1) Digital oscilloscope (100MHz)
- (2) Jitter meter
- (3) Digital tester
- (4) Electric voltmeter
- (5) Tracking offset meter
- (6) Test Disc : VT501 or VT502
- (7) Extension studs : STDV001-3P
- (8) Extension cable : EXTDV002-30P

4.2 Standard measuring conditions

Power supply voltage	DC14.4V(11 to 16V)
Load impedance	4Ω(2 Speakers connection)
Line Output	20KΩ

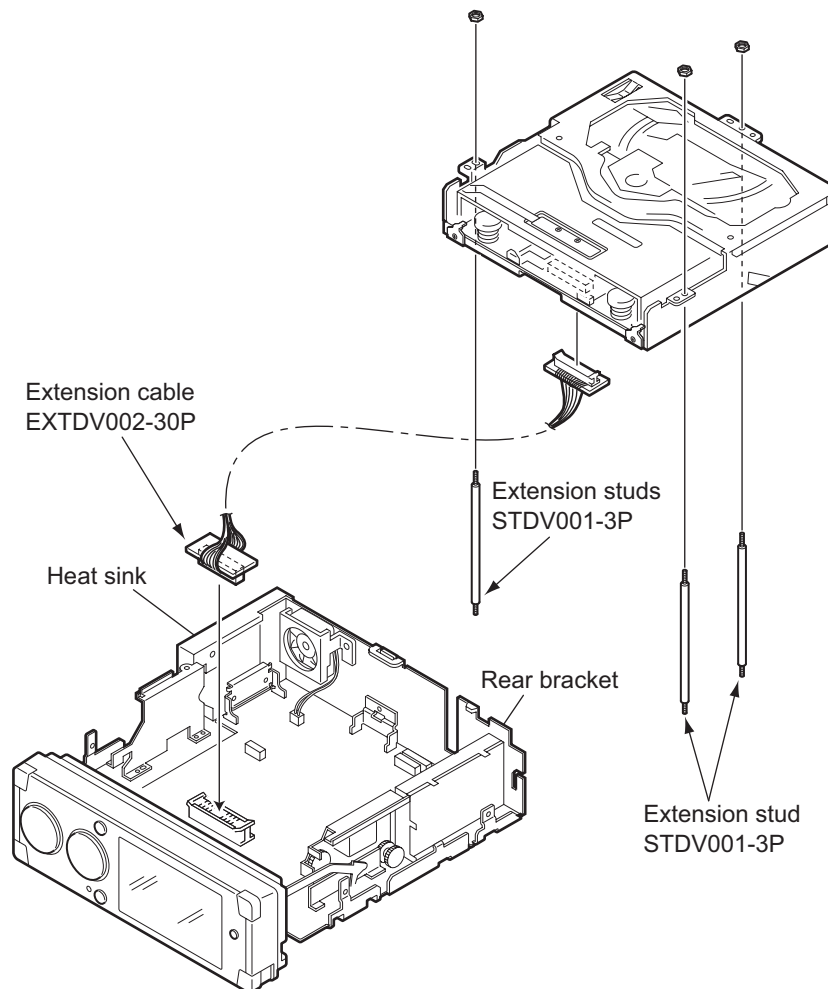
Caution:

Be sure to attach the heat sink and rear bracket onto the power amplifier IC and regulator IC respectively, before supply the power. If voltage is applied without attaching these parts, the power amplifier IC and regulator IC will be destroyed by heat.

4.3 Connection method

Connection procedure

- (1) Attach the front chassis assembly to the main board.
- (2) Attach the heat sink and rear bracket to the main board.
- (3) Attach the extension studs to the DVD mechanism assembly.
- (4) Connect the DVD mechanism assembly and the main board with a extension cable.



4.4 Adjustment method for jitter

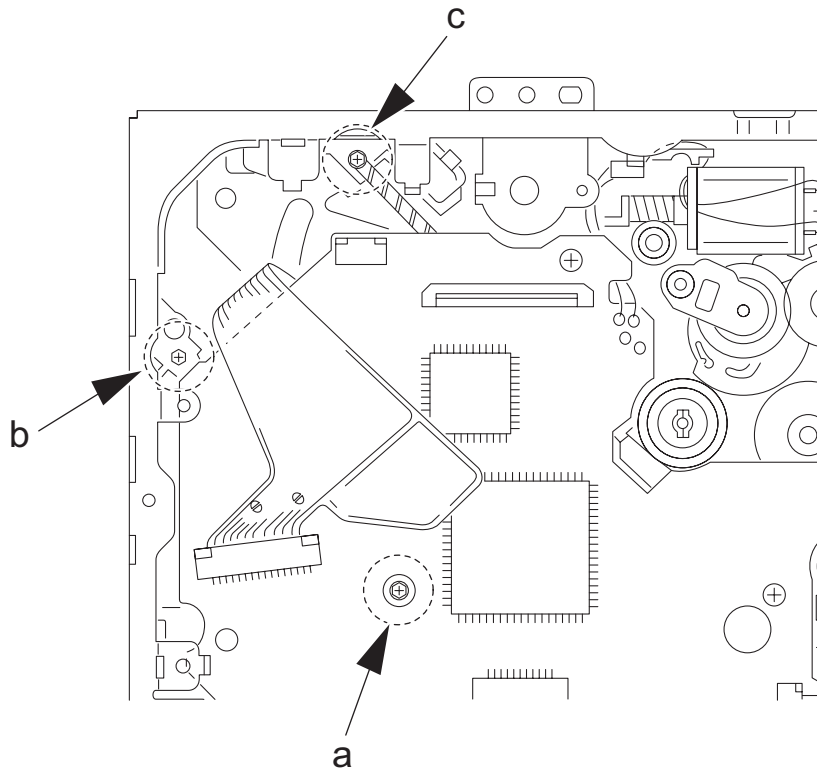
After replacing the pickup, set the unit in the service mode to display a jitter value on the LCD.

Confirm that the jitter value measured with a jitter meter is within 12% of the jitter value displayed on the LCD. If it is within 12%, then adjustment is not necessary.

If the measured jitter value is outside the 12% tolerance range, perform the following adjustments.

4.4.1 Adjustment procedure

- (1) Connect each unit shown in Fig.1.
- (2) Set the unit to the service mode and display a jitter value (hex data) on the LCD.
- (3) Turn each of the screws a, b and c, by a half-turn per step, in the direction that reduces the jitter value in order to minimize it .
(Do not turn a screw more than a half turn at a time, but adjust the screws in the cycle of **a** → **b** → **c** → **a**.)
- (4) After completing the adjustment, secure the screws with screw lock paint.



Jitter value adjustment procedure (Pickup horizontal level adjustment relative to the DVD recording surface)
(For the adjustment tool use a 3 mm wrench and not a screwdriver, this procedure will make the adjustment easier.)

3 mm wrench



4.5 Jitter value conversion table

Load the test DVD and set the unit to the service mode. A jitter value converted to the hex value is displayed on the LCD. Refer to the corresponding decimal notation value shown in the following Jitter Conversion Table.

The adjustment is OK if the jitter value measured with a jitter meter is within 12% of the jitter value displayed on the LCD.

If the measured jitter value is outside the 12% tolerance range, adjust it to minimize the difference between the measured value and the displayed value.

Indicated on the LCD	Jitter value (%)	Indicated on the LCD	Jitter value (%)	Indicated on the LCD	Jitter value (%)
EF56	4.7	E79E	8.5	DFE6	12.3
EF22	4.8	E76A	8.6	DFB2	12.4
EEEE	4.9	E736	8.7	DF7E	12.5
EEBA	5.0	E702	8.8	DF4A	12.6
EE86	5.1	E6CE	8.9	DF16	12.7
EE52	5.2	E69A	9.0	DEE2	12.8
EE1E	5.3	E666	9.1	DEAE	12.9
EDEA	5.4	E632	9.2	DE7A	13.0
EDB6	5.5	E5FE	9.3	DE46	13.1
ED82	5.6	E5CA	9.4	DE12	13.2
ED4E	5.7	E596	9.5	DDDE	13.3
ED1A	5.8	E562	9.6	DDAA	13.4
ECE6	5.9	E52E	9.7	DD76	13.5
ECB2	6.0	E4FA	9.8	DD42	13.6
EC7E	6.1	E4C6	9.9	DD0E	13.7
EC4A	6.2	E492	10.0	DCDA	13.8
EC16	6.3	E45E	10.1	DCA6	13.9
EBE2	6.4	E42A	10.2	DC72	14.0
EBAE	6.5	E3F6	10.3	DC3E	14.1
EB7A	6.6	E3C2	10.4	DC0A	14.2
EB46	6.7	E38E	10.5	DBD6	14.3
EB12	6.8	E35A	10.6	DBA2	14.4
EADE	6.9	E326	10.7	DB6E	14.5
EAAA	7.0	E2F2	10.8	DB3A	14.6
EA76	7.1	E2BE	10.9	DB06	14.7
EA42	7.2	E28A	11.0	DAD2	14.8
EA0E	7.3	E256	11.1	DA9E	14.9
E9DA	7.4	E222	11.2	DA6A	15.0
E9A6	7.5	E1EE	11.3	DA36	15.1
E972	7.6	E1BA	11.4	DA02	15.2
E93E	7.7	E186	11.5	D9CE	15.3
E90A	7.8	E152	11.6	D99A	15.4
E8D6	7.9	E11E	11.7	D966	15.5
E8A2	8.0	E0EA	11.8	D932	15.6
E86E	8.1	E0B6	11.9	D8FE	15.7
E83A	8.2	E082	12.0	D8CA	15.8
E806	8.3	E04E	12.1	D896	15.9
E7D2	8.4	E01A	12.2	D862	16.0

Calculation

Indicated on the LCD

E9A6

Jitter (%)

7.5

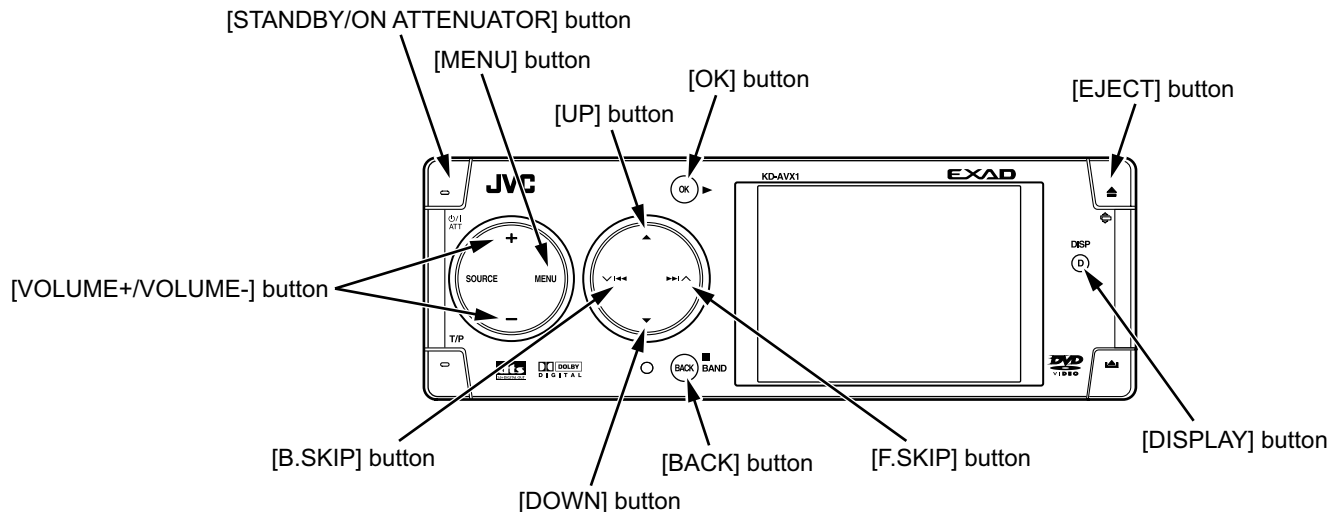
4.6 Service mode

4.6.1 Standard input/output conditions

Power supply voltage DC14.4V(11 to 16V)
 Load impedance 4Ω(2 Speakers connection)
 Line Output 20KΩ

4.6.2 Service mode setting procedure

(The DVD does not need to be loaded before starting the following procedure.)



4.6.3 Operation procedures

1. Service mode 1 (Indication is displayed in SERVICE MODE.)

Keep this state more than 2 seconds while continuing pressing the [STANDBY/ON ATTENUATOR] button and [EJECT] button sequentially.

Screen indication

SERVICE MODE	
NO EJECT	*1
EMERGENCY EJECT	*2

Exchanging it operate a menu of a service mode with the [UP] button and [DOWN] button. Operate choice of a menu with a [OK] button.

*1 : When an [OK] button is pushed in NO EJECT indication, it is set by an EJECT prohibition mode.

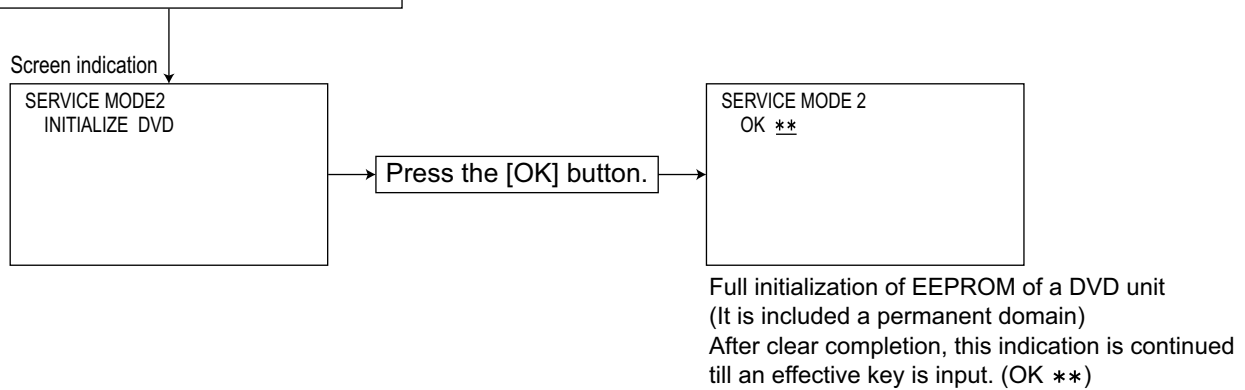
When an [OK] button is pushed in EJECT OK indication, it is set by a normal mode.

*2 : Forced EJECT movement

A screen becomes normal indication after an OK button was pushed.

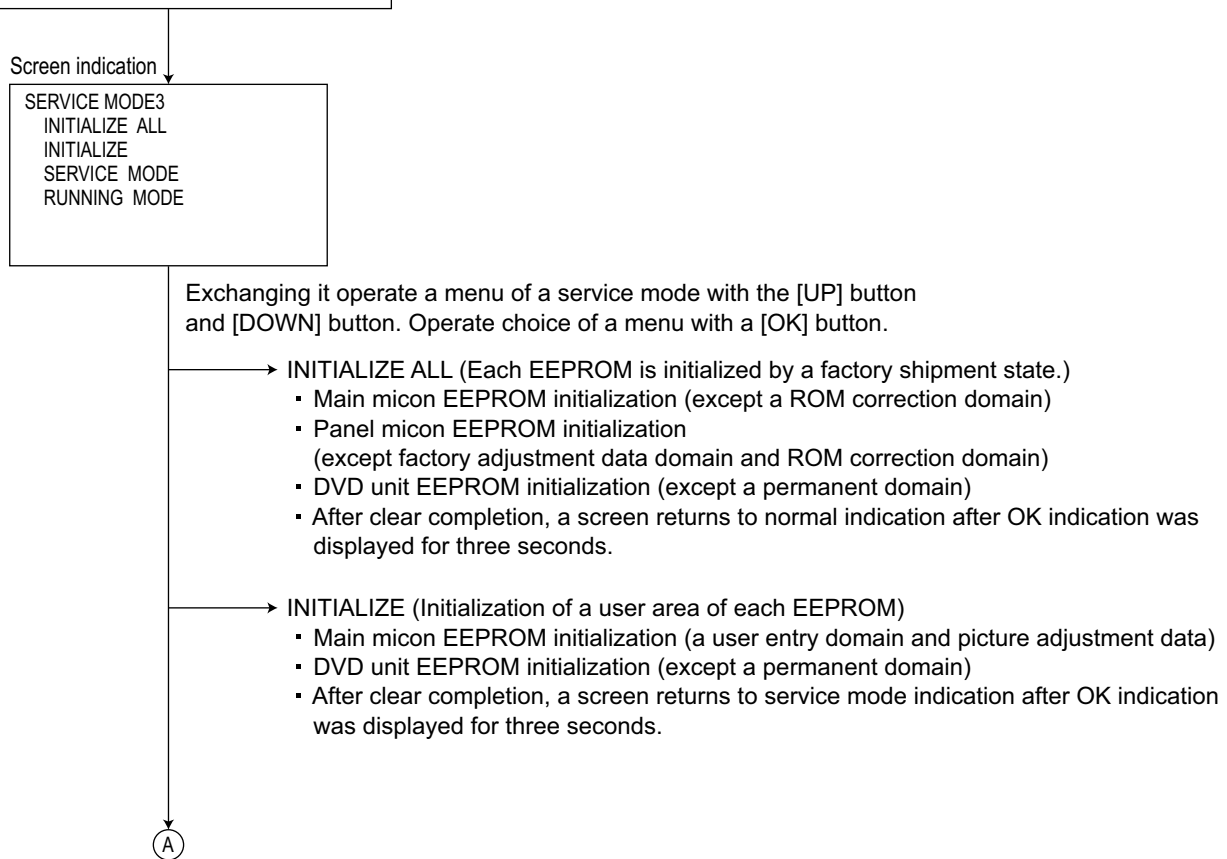
2. Service mode 2

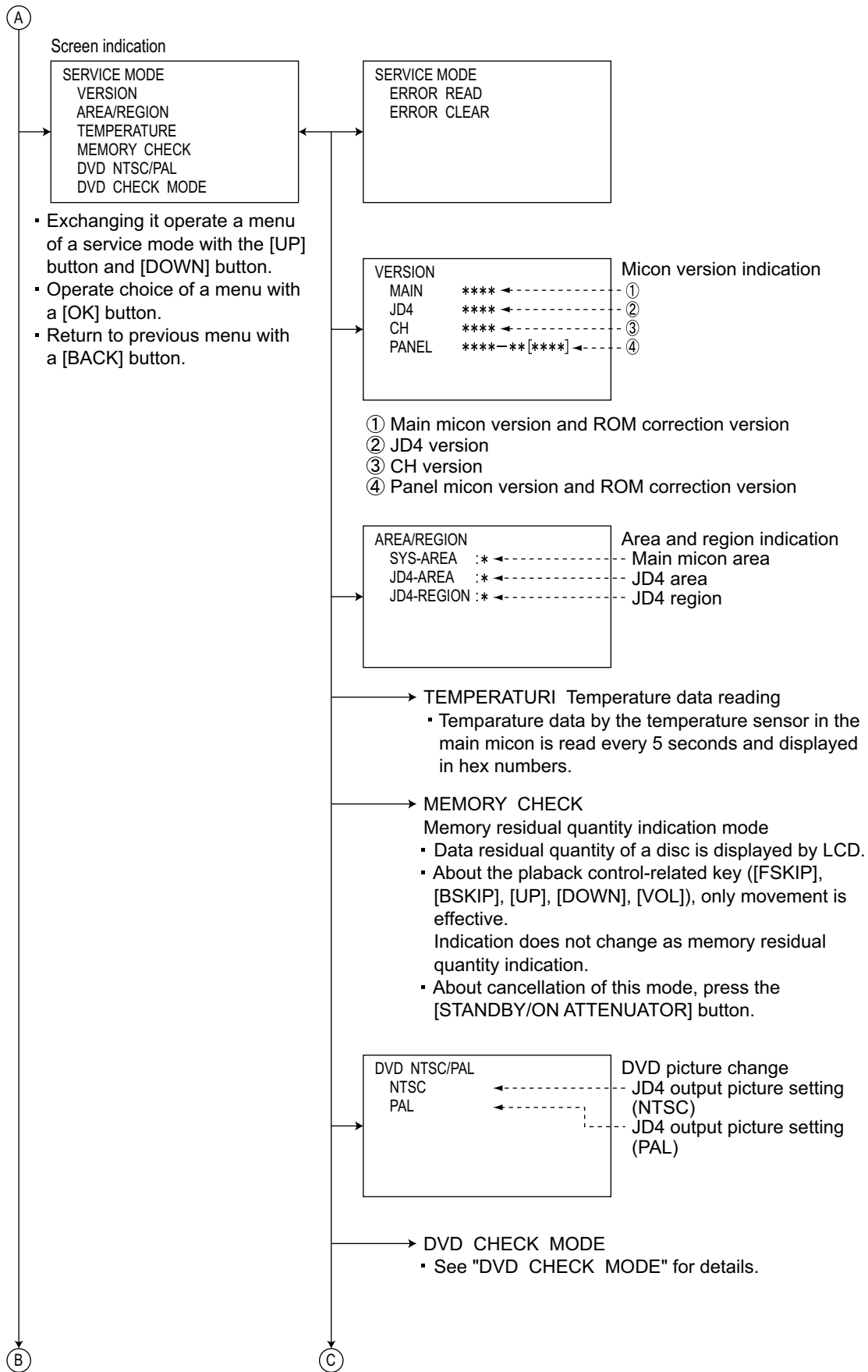
Keep this state more than 2 seconds while continuing pressing the [DISP] button, [VOLUME-] button and [EJECT] button sequentially.



3. Service mode 3

Keep this state more than 2 seconds while continuing pressing the [DISP] button, [VOLUME+] button and [EJECT] button sequentially.





(B)

(C)

```

ERROR READ
DVD ERROR READ
CD ERROR READ
MECHA ERROR READ
  
```

```

DVD ERROR READ
E-1 : ***** E04 : *****
E-2 : ***** E03 : *****
E-3 : ***** E02 : *****
E05 : ***** E01 : *****
TOTAL :          ****
  
```

Reading of a DVD unit error history
 Reading of a history of an error stored in a DVD unit
 Indication of latest three error codes and first five error code
 Indication of total error count

```

*****
  ↑   ↑
  Error code
  Detailed error code
  
```

```

CH ERROR READ
E-1 : ***** E04 : *****
E-2 : ***** E03 : *****
E-3 : ***** E02 : *****
E05 : ***** E01 : *****
TOTAL :          ****
  
```

Reading of a CH changer error history
 Reading of a history of an error stored in a DVD unit
 Indication of latest three error codes and first five error code
 Indication of total error count

```

*****
  ↑   ↑
  Error code
  Detailed error code
  
```

```

MECHA ERROR READ
E-1 : ***** E04 : *****
E-2 : ***** E03 : *****
E-3 : ***** E02 : *****
E05 : ***** E01 : *****
TOTAL :          ****
  
```

Reading of a door mechanism error history
 Reading of a history of an error stored in a DVD unit
 Indication of latest three error codes and first five error code
 Indication of total error count

```

*****
  ↑   ↑
  Error code
  Detailed error code
  
```

```

ERROR CLEAR
DVD ERROR CLEAR
CD ERROR CLEAR
MECHA ERROR CLEAR
  
```

Clear of each error history
 A screen returns to following indication after clear completion.

→ RUNNING MODE
 ▪ See "Running mode" for details.

4. Service mode 4

Keep this state more than 2 seconds while continuing pressing the [DISP] button, [BACK] button and [EJECT] button sequentially.

Screen indication

```
SERVICE MODE4
RDS S MODE
MONITOR S MODE
```

Exchanging it operate a menu of a service mode with the [UP] button and [DOWN] button. Operate choice of a menu with a [OK] button.

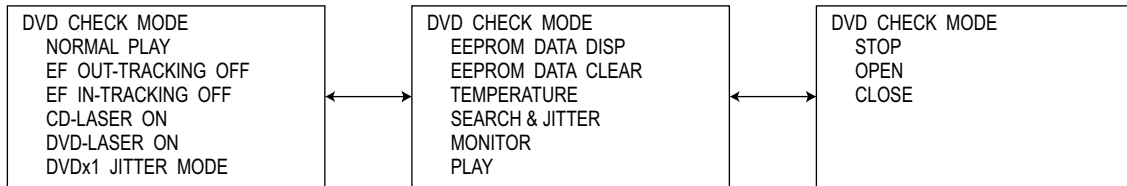
```
RDS S MODE
VER=V***** PTY=*****
SPI=***** SM = *****
PI = ***** SQ = *****
TP = * TA = *
MS = * PI = *
```

RDS service mode
Only RDS model

```
MONITOR S MODE
R/W CHROMA 1
R/W CHROMA 2
DATA CLEAR
```

* See "Monitor adjustment" for details.
CHROMA DATA read/write of NTSC/PAL signal processing IC
CHROMA DATA read/write of TFT driver IC
Clear of CHROMA DATA of 1,2 (return to an initial value)

4.6.4 DVD check mode



Exchanging it operate a menu of a service mode with the [UP] button and [DOWN] button. Operate choice of a menu with a [OK] button.

Command	Mechanism unit operation	Indication contents
NORMAL PLAY	Start at normal speed (After start, jitter is measured by an inner position.)	Laser current value, jitter value
EF OUT-TRACKING OFF	Tracking off the outermost position of CD	For EF phase error
EF IN-TRACKING OFF	Tracking off the innermost position of CD	For EF phase error
CD-LASER ON	CD_LD lights and laser current is displayed.	Laser current value, jitter value
DVD-LASER ON	DVD_LD lights and laser current is displayed.	Laser current value, jitter value
DVDx1 JITTER MODE	DVD x1 jitter measuring mode (for use in mechanism adjustment)	Laser current value, jitter value
EEPROM DATA DISP	Contents of EEPROM is displayed.	EEPROM address EEPROM contents
EEPROM DATA CLEAR	Contents of EEPROM is initialized.	EEPROM address EEPROM contents
TEMPERATURE	Temperature indication	Temperature is displayed in hex numbers.
SEARCH & JITTER	The search and jitter measurement to an appointed position of DVD.	Position measured with VT-501 Jitter value
MONITOR	Monitor terminal setting	
PLAY	DVDx1 speed start (After start, jitter is measured by an inner position.)	Not displayed.
STOP	Disc stopped, LD-OFF	Not displayed.
OPEN	OPEN	Not displayed.
CLOSE	CLOSE	Not displayed.

4.6.5 Error code tables

Mechanism error code

Error contents	Details	Error code	Detailed error code
Disc loading error ① B1 time out ② C1 time out ③ D1 time out ④ C2 time out ⑤ B2 time out ⑥ A2 time out ⑦ F1 time out ⑧ A0 (Switch state without existence) ⑨ G1 time out		0x99 0x99 0x99 0x99 0x99 0x99 0x99 0x99 0x99	0x0011 0x0012 0x0013 0x0014 0x0015 0x0016 0x0017 0x0018 0x0019
Eject error ① F2 time out ② A1 time out ③ B1 time out ④ C1 time out ⑤ D1 time out ⑥ C2 time out ⑦ B2 time out ⑧ A0 (Switch state without existence) ⑨ G2 time out		0x01 0x01 0x01 0x01 0x01 0x01 0x01 0x01 0x01	0x0021 0x0022 0x0023 0x0024 0x0025 0x0026 0x0027 0x0028 0x0029
Error in loading wait	Loading of a running mode Disc was pulled out in a wait.	0x09	0x0031
Loading re-execution → NG → Eject	Running mode error	0x09	0x0032
Eject re-execution → NG → Loading	Running mode error	0x01	0x0033

Disc error code

Error contents	Details	Error code	Detailed error code
TOC read error	TOC lead movement of a CD is not completed.	0x84	0x0059
First track access error	Even if TOC reading passes after the end with CD running mode for 30 seconds, the first track access is not finished.	0x80	0x0060
Last track access error	Even if first track passes after the end with CD running mode for 30 seconds, the last track access is not finished.	0x80	0x0061
T1 access error	Even if T1 access passes in a DVD running mode for 30 seconds, it is not finished.	0x80	0x0069
T12 access error	Even if T12 access passes in a DVD running mode for 30 seconds, it is not finished.	0x80	0x0070
T24 access error	Even if T24 access passes in a DVD running mode for 30 seconds, it is not finished.	0x80	0x0071
Read-in area read error	Read-in area read operation of DVD is not completed.	0x84	0x0072
SDRAM read/write error	Read/write to SDRAM is not normal.	0x80	0x0073
DVD L1 layer adjustment error	Adjustment of L1 layer of DVD is not finished normally. (including focus jump failure)	0x80	0x0074
NODISC judgment	Judgment without disc	0x80	0x0090
It is NODISC by start failure.	Start is impossible.	0x80	0x0091
It is stopped by playback inability.	Stop in running mode playback	0x80	0x0093

4.6.6 Running mode

Indication	Explanation	Operation contents of 1 cycle	In mecha error	In disc error	SDRAM inspection
RUNNING1 MECHA	Door mecha running1	Panel close → Panel open	-	-	-
RUNNING2 MECHA	Door mecha running1	Panel close → Panel open → Panel detach position → Panel angle 3 position → Panel angle 1 position → Panel angle 2 position	-	-	-
RUNNING3 DVD	DVD+Door mecha running1	Loading → Eject → Wait for 5 seconds + Door open/close	Stop	-	-
RUNNING4 DVD	DVD+Door mecha running2	Loading → Eject → Wait for 5 seconds + Door open/close	Retry	-	-
RUNNING5 DVD	DVD+Door mecha running3	Loading → Playback → Eject → Wait for 5 seconds + Door open/close	Stop	Stop	Execution
RUNNING6 DVD	DVD+Door mecha running4	Loading → Playback → Eject → Wait for 5 seconds + Door open/close	Retry	Stop	Execution
RUNNING7 DVD	DVD+Door mecha running5	Loading → Playback → Eject → Wait for 5 seconds + Door open/close	Stop	Retry	Non-execution
RUNNING8 DVD	DVD+Door mecha running6	Loading → Playback → Eject → Wait for 5 seconds + Door open/close	Retry	Retry	Non-execution

- * Cancellation of running1,2 : Press the [EJECT] key
- * In running 1,2 cancellation, a door does not stop at the position and moves to a panel open position.
- * Cancellation of running3 to 8 : Press the [POWER] key
- * The number of count and an error cord are displayed in running.

Playback contents in a running mode

- CD

The first track is played for 30 seconds. → The last track is played for 30 seconds.
(The last truck is played in the case of less than till the last for 30 seconds.)

- DVD

2layer disc

Title 1 (the L0 layer internal circumference) is played for 30 seconds. → Title 12 (L0 layer circumference) is played for 30 seconds.
→ Title 24 (L1 layer internal circumference) is played for 30 seconds.

1layer disc

First chapter of title 1 is played for 30 seconds. → The last chapter of title 1 is played for 30 seconds.

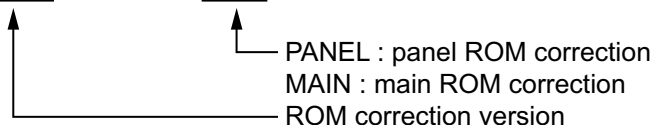
4.6.7 Writing method for micon ROM correction

- * For main ROM correction and panel ROM correction, prepare two pieces of disc.
(Do not put both data in one piece of disk.)
- Insert the disc which ROM correction data were written in at.
 - Folder name : ROM Correction
 - File name : Please Wait
 - ↓
 - Folder name : ROM Correction
 - File name : OK 1940 (Indication is different by ROM correction IC.)
- If OK is displayed, ROM correction is completion. Disc is ejected automatically.
- Pull the power supply cord and wait more than 30 seconds. (Even reset is possible.)
- Switch on the main body again and confirm a version.

Confirmation method of a version

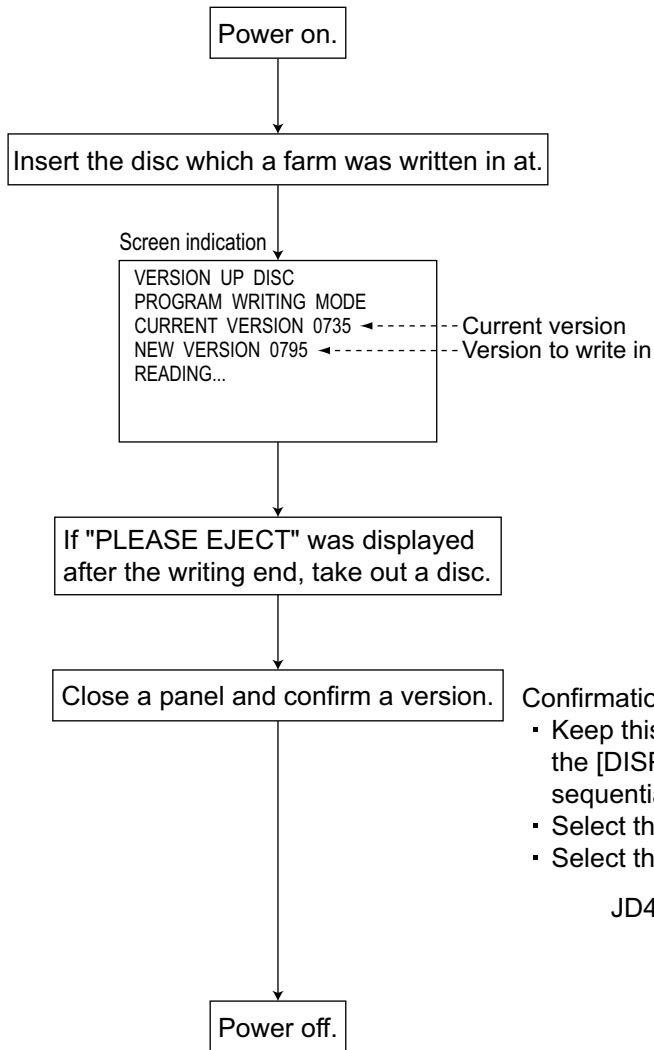
- Keep this state more than 2 seconds while continuing pressing the [DISP] button, [VOLUME+] button and [EJECT] button sequentially to enter this set in service mode 3.
- Select the service mode and press the [OK] button.
- Select the version and press the [OK] button.
- ROM correction is completion if displayed on a screen as follows.

PANEL V***-** [V001]



- * When it was confirmed a version without reset, a part of [V001] is displayed in [E001].
When a ROM collection is not completed even if writing of EEPROM is completed, this indication appears.
Movement of this case is movement before the ROM collection.

4.6.8 Update method of firm ware



Confirmation method of a version

- Keep this state more than 2 seconds while continuing pressing the [DISP] button, [VOLUME+] button and [EJECT] button sequentially to enter this set in service mode 3.
- Select the service mode and press the [OK] button.
- Select the version and press the [OK] button.

JD4****

↑
It is a version written in.

4.6.9 Monitor adjustment

*When adjusting, switch on the main unit and insert a test disc (VT-501). And play the test disc and pause it.
(Exit for VCO FREE-RUN adjustment)

R/W CHROMA 1

1. Set the service mode 4.
2. Exchanging it operate a menu of a service mode with the [UP] button and [DOWN] button.
3. Change data with the [B.SKIP]/[F.SKIP] buttons.
4. Write data with a [OK] button.

*When performing the VCO FREE-RUN N adjustment, set the NTSC mode (Service mode 3 → Service mode → DVD NTSC/PAL) and turn the input into the no input. Connect the frequency counter to the point (TP661 or TP681-GND) on the panel board and set the frequency into 15.62 ± 0.01 (kHz).

*When performing the VCO FREE-RUN P adjustment, set the PAL mode (Service mode 3 → Service mode → DVD NTSC/PAL) and turn the input into the no input. Connect the frequency counter to the point (TP661 or TP681-GND) on the panel board and set the frequency into 15.73 ± 0.01 (kHz).

Indication	Minimum value	Maximum value	Initial value	Production jig initial value	Reference register value	
COM AMPLITUDE	0x00	0xFF	0x80	0x80	0x80	Fix
BRIGHT GAIN	0x00	0xFF	0x80	0x80	0x80	Fix
COLOR GAIN N	0x00	0xFF	0x80	0x5F	0x60	Adjust
COLOR GAIN P	0x00	0xFF	0x80	0x62	0x62	Adjust
TINT N	0x00	0xFF	0x80	0x82	0x6D	Adjust
TINT P	0x00	0xFF	0x80	0x80	0x80	Adjust
BLACK LIMITER	0x00	0x7F	0x40	0x5E	0x5E	Fix
BRIGHT	0x00	0xFF	0x80	0xA3	0xA3	Adjust
APERTURE	0x00	0x7F	0x40	0x40	0x40	Fix
R SUB BRIGHT	0x00	0xFF	0x80	0x88	0x88	Adjust
B SUB BRIGHT	0x00	0xFF	0x80	0x88	0x89	Adjust
W PEAK LIMITER	0x00	0x7F	0x40	0x7F	0x7F	Fix
GAMMA1	0x00	0xFF	0x80	0x80	0x80	Fix
GAMMA2	0x00	0xFF	0x80	0xFF	0xFF	Fix
CONTRAST	0x00	0xFF	0x80	0x64	0x65	Adjust
R SUB CONTRAST	0x00	0xFF	0x80	0x74	0x71	Adjust
B SUB CONTRAST	0x00	0xFF	0x80	0x78	0x74	Adjust
*VCO FREE RUN N	0x00	0xFF	0x80	0x8C	0x8F	Adjust 15.62 kHz
*VCO FREE RUN P	0x00	0xFF	0x80	0x89	0x8B	Adjust 15.73 kHz
PLL STOP POS	0x00	0x0F	0x00	0x08	0x08	Fix
V POSITION	0x00	0x07	0x00	0x02	0x02	Fix
H POSITION	0x00	0x1F	0x00	0x1F	0x1F	Fix
PWM FREQUENCY	0x00	0x0F	0x08	0x08	0x08	Fix
BRST CLN PLS POS	0x00	0x07	0x00	0x03	0x03	Fix
PWM DUTY	0x00	0xFF	0x80	0xFF	0xFF	Fix
COM DC	0x00	0xFF	0x80	0x80	0x80	Fix
DC OUTPUT	0x00	0xFF	0x80	0x65	0x43	Adjust

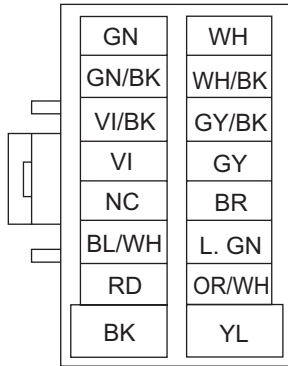
R/W CHROMA 2

1. Set the service mode 4.
2. Exchanging it operate a menu of a service mode with the [UP] button and [DOWN] button.
3. Change data with the [B.SKIP]/[F.SKIP] buttons.
4. Write data with a [OK] button.

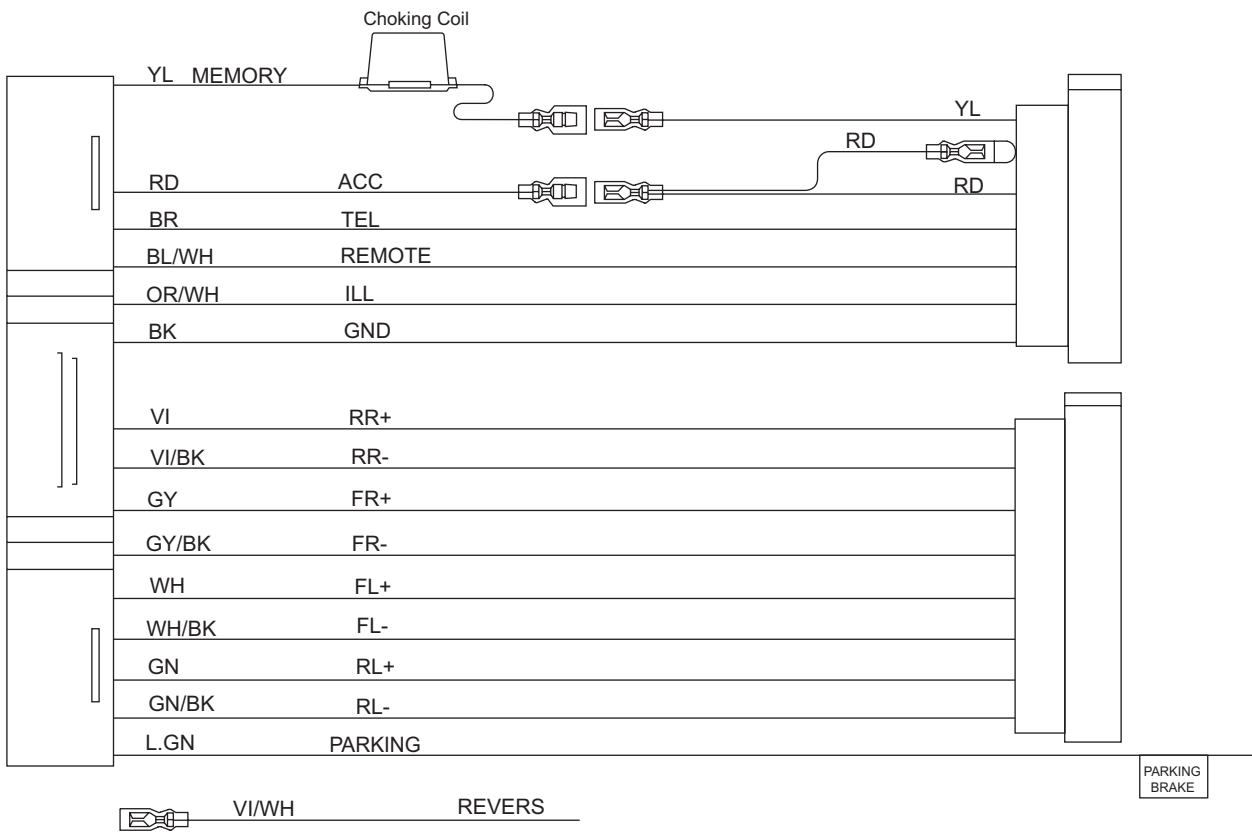
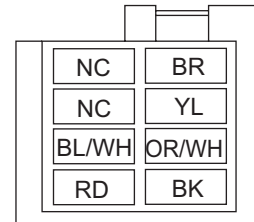
Indication	Minimum value	Maximum value	Initial value	Production jig initial value	Reference register value	
H POSITION	0x00	0x1F	0x10	0x12	0x13	Adjust
V POSITION	0x00	0x0F	0x08	0x08	0x08	Adjust
HDO POSITION	0x00	0x1F	0x00	0x02	0x02	Fix
BRIGHT	0x00	0x7F	0x40	0x4D	0x4E	Adjust
R BRIGHT	0x00	0x7F	0x40	0x3E	0x3E	Adjust
B BRIGHT	0x00	0x7F	0x40	0x40	0x41	Adjust
COMLEVEL M	0x00	0x1F	0x10	0x09	0x08	Adjust
COMLEVEL E	0x00	0x1F	0x10	0x10	0x10	Fix
COMDC M	0x00	0x3F	0x29	0x33	0x31	Adjust
COMDC E	0x00	0x3F	0x32	0x32	0x32	Fix
VCO N	0x00	0xFF	0x80	0x70	0x61	Adjust
VCO P	0x00	0xFF	0x80	0x76	0x69	Adjust

SECTION 5 TROUBLESHOOTING

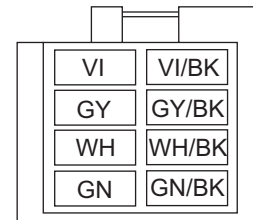
5.1 16 PIN CORD DIAGRAM [for E version]



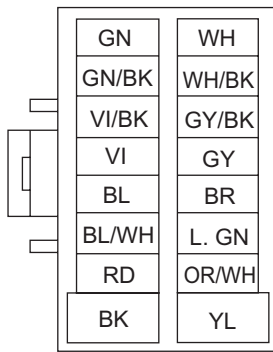
BK	Black	GN	Green
RD	Red	VI	Violet
BL	Blue	GY	Gray
WH	White	YL	Yellow
BR	Brown	OR	Orange
L.GN	Light Green		



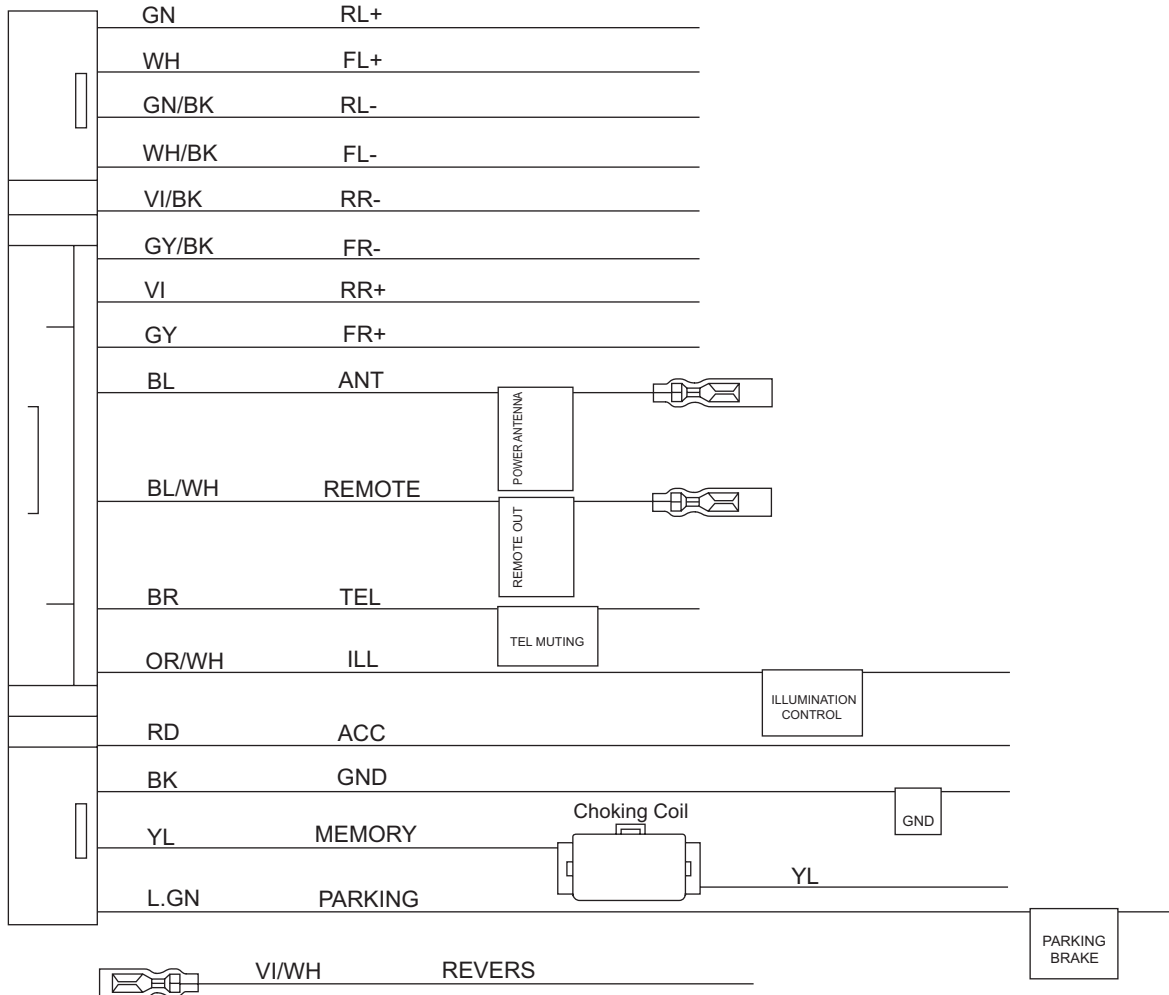
RR	Rear Right	ACC	ACC Line
FR	Front Right	TEL	Telephone Muting
FL	Front Left	GND	Ground
RL	Rear Left	MEMORY	Memory Backup Battery+
REMOTE	Remote	PARKING	Parking Brake
ILL	Illuminations Control	ANT	Auto Antenna
REVERS	Revers Gear Signal		



5.2 16 PIN CORD DIAGRAM [for A, J, U, UN, UT version]



BK	Black	GN	Green
RD	Red	VI	Violet
BL	Blue	GY	Gray
WH	White	YL	Yellow
BR	Brown	OR	Orange
L.GN	Light Green		



RR	Rear Right	ACC	ACC Line
FR	Front Right	TEL	Telephone Muting
FL	Front Left	GND	Ground
RL	Rear Left	MEMORY	Memory Backup Battery+
REMOTE	Remote	PARKING	Parking Brake
ILL	Illuminations Control	ANT	Auto Antenna
REVERS	Revers Gear Signal		



JVC

Victor Company of Japan, Limited
AV & MULTIMEDIA COMPANY CAR ELECTRONICS CATEGORY 10-1,1chome,Ohwatari-machi,Maebashi-city,371-8543,Japan

(No.MA165)

PARTS LIST

[KD-AVX1]

* All printed circuit boards and its assemblies are not available as service parts.

Area suffix

J ----- Northern America
E ----- Southern Europe
A ----- Australia
UT ----- Taiwan
UN ----- Indonesia
U ----- Other Areas

- Contents -

Exploded view of general assembly and parts list (Block No.M1)	3- 2
DVD mechanism assembly and parts list (Block No.MJ)	3- 6
Electrical parts list (Block No.01~04)	3- 9
Packing materials and accessories parts list (Block No.M3)	3-20

General Assembly

Block No. [M][1][M][M]

△	Symbol No.	Part No.	Part Name	Description	Local
	1	QYSDST2004ZA	TAP SCREW	M2 x 4mm(x2)	
	2	LV44173-001A	PWB BRACKET		
	3	QYSDST2004ZA	TAP SCREW	M2 x 4mm	
	4	GE40278-001A	SHEET		
	5	LV44263-001A	SPACER		
	6	LV11077-001A	TOP CHASSIS		
	7	LV35764-001A	FRONT CHASS ASS		
	8	GE40156-001A	BLIND		
	9	LV40846-017A	SPACER(F)		
	10	LV21951-001A	SIDE HEAT SINK		
	11	LV36196-001A	INSULATOR		
	12	LV43854-001A	COOLING RUBBER		
	13	QYSDST2604ZA	TAP SCREW	M2.6 x 4mm(x3)	
	14	QYSDST2610ZA	TAP SCREW	M2.6 x 10mm(x3)	
	15	LV41200-005A	SPECIAL SCREW	(x2)	
	16	QYSDST2604ZA	TAP SCREW	M2.6 x 4mm(x4)	
	17	LV41200-004A	SPECIAL SCREW		
	18	QYSDST2604ZA	TAP SCREW	M2.6 x 4mm(x2)	
	19	LV41200-004A	SPECIAL SCREW		
	20	QYSPSP2003MA	SCREW	M2 x 3mm(x2)	
	21	LV41200-004A	SPECIAL SCREW	(x3)	
	22	LV35842-001A	INSULATOR		
	23	LV34460-001A	INSULATOR		
	24	LV10463-004A	BOTTOM CHASSIS		
	25	LV32453-001A	FPC GUIDE		
	26	LV20929-001A	GUIDE RAIL(L)		
	27	LV20930-001A	GUIDE RAIL(R)		
	28	LV42239-001A	S PLATE(L) ASSY		
	29	LV42240-001A	S PLATE(R) ASSY		
	30	LV42104-001A	DETECT PLATE		
	31	QYSPSPU1725MA	SCREW	M1.7 x 2.5mm(x2)	
	32	LV32569-004A	A BKT ASSY(L)		
	33	LV32570-002A	A BKT ASSY(R)		
	34	LV42112-001A	TENS SPG(L)	(x2)	
	35	LV32459-001A	ROD GEAR(SH)		
	36	QYWFL259013-0	WASHER	9mm/2.5mm x 0.13mm(x2)	
	37	LV32530-001A	GUIDE BLOCK(R)		
	38	LV32531-001A	GUIDE BLOCK(L)		
	39	LV32460-002A	MOTOR BKT ASSY		
	40	QAR0182-001	MOTOR(FEED)		
	41	QYSPSPT2020ZA	SCREW	M2 x 2mm(x2)	
	42	LV40847-002A	SPACER		
	43	WJM0204-001A	E-SI C WIRE C-F		
	44	LV42455-001A	SHAFT		
	45	LV42437-001A	ROTOR		
	46	LV42436-001A	WORM GEAR		
	47	LV42115-003A	GEAR S1		
	48	LV42116-002A	GEAR S2		
	49	LV42117-001A	GEAR S3		
	50	LV42118-002A	GEAR S4		
	51	LV42119-001A	GEAR S5		
	52	WDM215025	WASHER	(x5)	
	53	WDM214540	WASHER		
	54	LV30981-005A	CLUTCH ASSY		
	55	QYWFL266010-9	WASHER	6mm/2.6mm x 0.1mm	
	56	LV35767-002A	F.BRACKET ASSY		
	57	LV42394-001A	ABSORBER		
	58	LV40846-022A	SPACER(F)		
	59	LV40846-018A	SPACER(F)		
	60	LV40846-038A	SPACER(F)		
	61	LV40846-022A	SPACER(F)		
	62	LV21950-001A	CN COVER		
	63	LV40846-018A	SPACER(F)		
	64	LV42534-001A	CONNECT PTN	(x2)	
	65	QYSPSPU1730MA	SCREW	M1.7 x 3mm	
	66	LV35768-001A	REINFORCE PLATE		
	67	QYSPSP2003MA	SCREW	M2 x 3mm(x2)	
	68	LV32462-001A	OPEN LEVER		
	69	LV42122-001A	TORSION SPRING		
	70	LV32463-001A	DETACH LEVER		
	71	LV42123-001A	DTCH LVR SHAFT		
	72	LV42124-001A	TORSION SPRING		
	73	LV40865-002A	MINI SCREW		
	74	LV40865-002A	MINI SCREW	(x3)	

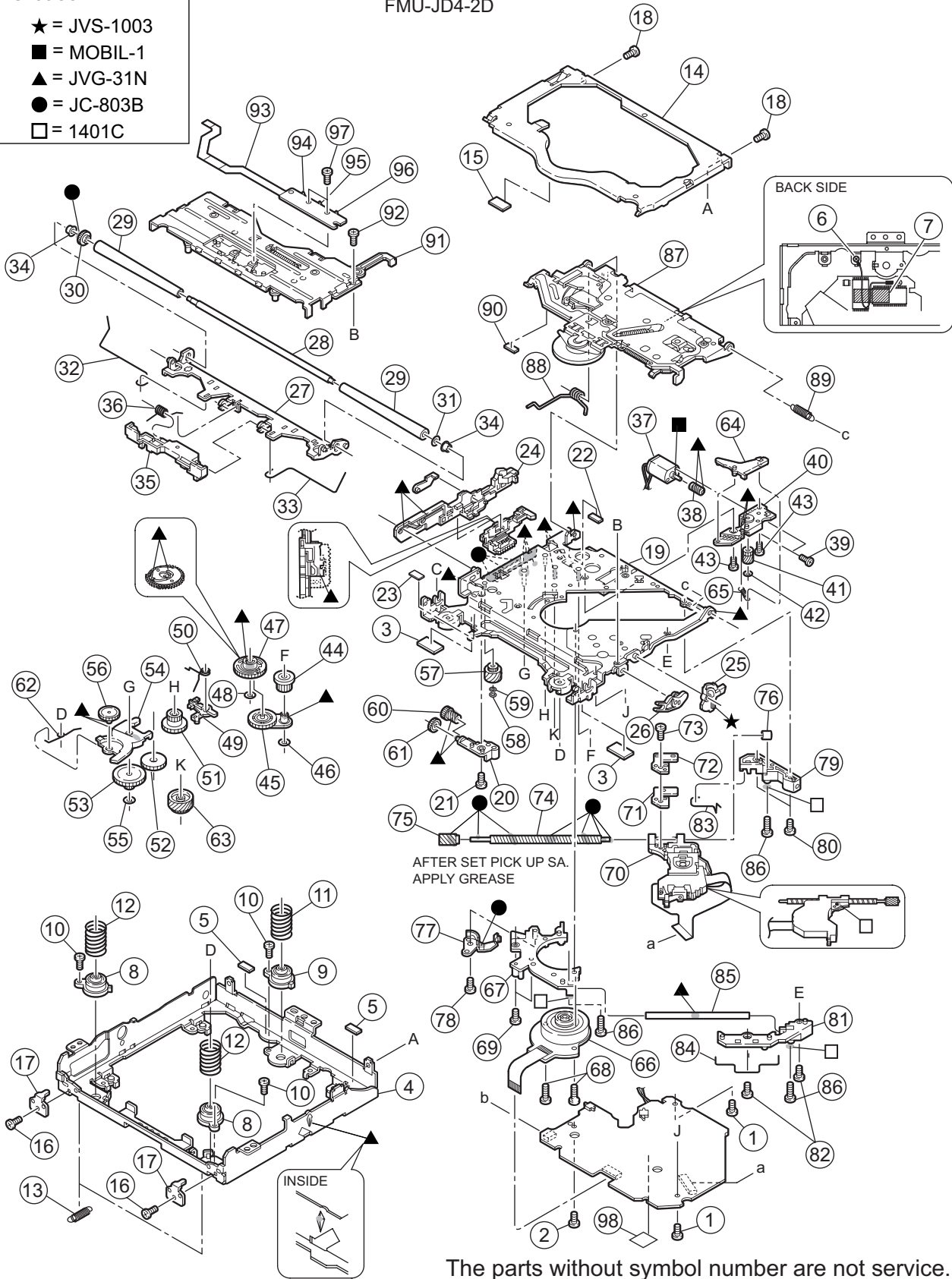
△	Symbol No.	Part No.	Part Name	Description	Local
	75	LV40865-002A	MINI SCREW	(x3)	
	76	LV40865-002A	MINI SCREW	(x2)	
	77	LV40865-002A	MINI SCREW	(x2)	
	78	LV40865-002A	MINI SCREW	(x2)	
	79	LV40865-002A	MINI SCREW	(x2)	
	80	LV42181-002A	SPECIAL SCREW	(x4)	
	81	LV21952-002A	PANEL ASSY		E
	81	LV21952-001A	PANEL ASSY		J
	81	LV21952-003A	PANEL ASSY		A,U,UN,UT
	82	LV11081-001A	REAR COVER		
	83	LV44171-001A	EARTH PLATE		
	84	QYSPSPU1730MA	SCREW	M1.7 x 3mm	
	85	LV35782-001A	BUTTON ASSY		
	86	LV35771-001A	BUTTON (DETACH)		
	87	LV44055-001A	COMPRESSION SPRING		
	88	LV35773-001A	BUTTON (OK)		
	89	LV35774-001A	BUTTON (DISP)		
	90	LV35775-001A	BUTTON (BACK)		
	91	LV35776-001A	CAP (POWER)		
	92	LV35777-001A	CAP (EJECT)		
	93	LV35778-001A	CAP (T/P)		
	94	LV35779-001A	BUTTON (POWER)		
	95	LV35780-001A	BUTTON (EJECT)		
	96	LV35781-001A	BUTTON (T/P)		
	97	LV43184-002A	JVC BADGE		
	98	VKZ4777-006	MINI SCREW	(x7)	
	99	VKZ4777-009	MINI SCREW	(x5)	
	100	LV44299-001A	SW PWB SHEET		
	101	LV40849-014A	SPACER(R)		
	102	QLD0366-001	LCD MODULE	LCD1	
	103	LV21954-001A	TFT CASE		
	104	QYSPSPU1730MA	SCREW	M1.7 x 3mm	
	105	LV21955-001A	TFT HOLDER		
	106	LV44172-002A	TFT SPACER	(x2)	
	107	QLL0169-001	LED MODULE		
	108	QAL0314-002	FPC		
	109	LV42420-001A	FPC SHEET		
	110	WJT0057-001A	E CARD WIRE		
	111	LV35855-001A	NAME PLATE		E
	111	LV35790-001A	NAME PLATE		J
	111	LV35856-001A	NAME PLATE		A,U,UN,UT
	112	LV41143-001A	SHEET		
	113	LV34352-009A	LABEL(DVD)		A
	113	LV34352-007A	LABEL(DVD)		E
	113	LV34352-006A	LABEL(DVD)		J
	113	LV34352-008A	LABEL(DVD)		U,UN,UT
	114	GE40101-001A	PIN CAP	(x12)	
	115	LV41843-002A	LASER CAUTION		A,E,U,UN,UT
	116	QUQ105-4510AC-E	FFC WIRE	45pin 10cm	
	117	QUQ105-3011AE-E	FFC WIRE	30pin 11cm	
	118	LV41993-002A	REG BKT		
	119	LV43967-001A	IC BRACKET		
	120	LV35769-001A	REAR HEAT SINK		
	121	LV35766-001A	REAR BRACKET		
	122	QYSDST2604ZA	TAP SCREW	M2.6 x 4mm	
	123	GE40235-001A	SCREW		
	124	QYSDST2604ZA	TAP SCREW	M2.6 x 4mm	
	125	GE40235-001A	SCREW		
	126	QYSDST2604ZA	TAP SCREW	M2.6 x 4mm(x2)	
	127	QYSDST2604ZA	TAP SCREW	M2.6 x 4mm	
	128	LV44204-001A	EARTH PLATE		
	129	QYSDSF2608ZA	TAP SCREW	M2.6 x 8mm	
	130	LV43966-001A	FAN BRACKET		
	131	QAR0294-001	FAN MOTOR	M861	
△	132	QMFZ039-150-T	FUSE	15A F901	
	133	QAM0702-001	CAR CABLE	W2	E,J
	133	QAM0703-001	CAR CABLE	W2	A,U,UN,UT
	134	LV41609-007A	SPACER(P)		
	135	LV35755-004A	UT LABEL		UT

DVD mechanism assembly and parts list

Block No. M J M M

- Grease**
- ★ = JVS-1003
 - = MOBIL-1
 - ▲ = JVG-31N
 - = JC-803B
 - = 1401C

FMU-JD4-2D



The parts without symbol number are not service.

DVD mechanism

Block No. [M][J][M][M]

△	Symbol No.	Part No.	Part Name	Description	Local
	1	VKZ4539-056	MINI SCREW	(x2)	
	2	QYSPSFT2040ZA	TAP SCREW	M2 x 4mm	
	3	LV43481-001A	COOLING RUBBER	(x2)	
	4	LV10674-001A	CHASSIS FRAME		
	5	LV30225-0J6A	SPACER	(x2)	
	6	VKZ4539-056	MINI SCREW		
	7	VYSA1R4-056	SPACER		
	8	LV33684-001A	DAMPER(F)	(x2)	
	9	LV33685-001A	DAMPER(R)		
	10	QYSDST2005ZA	TAP SCREW	M2 x 5mm(x3)	
	11	LV43039-001A	DAMPER SP.(R)		
	12	LV43040-001A	DAMPER SP.(F)	(x2)	
	13	LV43041-001A	FLOATING SPRING	(x2)	
	14	LV10675-001A	TOP COVER		
	15	LV30225-0J5A	SPACER		
	16	VKZ4539-056	MINI SCREW	(x2)	
	17	LV33669-001A	STOPPER	(x2)	
	18	VKZ4539-056	MINI SCREW	(x2)	
	19	LV21297-002A	CHAS. BASE ASSY		
	20	LV33608-001A	GEAR HOLDER		
	21	VKZ4539-056	MINI SCREW		
	22	LV43561-002A	ABSORBER		
	23	LV30225-0J5A	SPACER		
	24	LV33683-003A	SLIDE CAM ASSY		
	25	LV33610-001A	FLOATING ARM		
	26	LV33611-001A	CONNECT ARM		
	27	LV33678-003A	LOADING A. ASSY		
	28	LV43049-001A	LOADING SHAFT		
	29	LV43052-003A	ROLLER	(x2)	
	30	LV33612-001A	LOADING GEAR		
	31	QYWFM124013	WASHER	4mm/1.2mm x 0.13mm	
	32	LV43053-002A	ROD(L)		
	33	LV43054-003A	ROD(R)		
	34	LV43001-001A	COLLAR	(x2)	
	35	LV21285-003A	PROTECTOR		
	36	LV43055-001A	PROTECTOR SP.		
	37	QAR0144-003	MOTOR		
	38	LV43002-002A	WORM GEAR		
	39	QYSPSPT2025MA	SCREW	M2 x 2.5mm(x2)	
	40	LV33679-001A	MOTOR H. ASSY		
	41	LV33614-002A	WORM WHEEL		
	42	QYWDL1230250	SLIT WASHER	3mm/1.2mm x 0.25mm	
	43	VKZ4539-056	MINI SCREW	(x2)	
	44	LV33615-001A	GEAR 2		
	45	LV43057-003A	IDLER ARM ASSY		
	46	QYWDL1635252	SLIT WASHER	3.5mm/1.6mm x 0.25mm	
	47	LV21286-001A	CONTROL CAM		
	48	QYWDL1230196	SLIT WASHER	3mm/1.2mm x 0.19mm	
	49	LV33616-001A	LOAD.LOCK LEVER		
	50	LV43060-001A	CAM SPRING		
	51	LV43005-001A	GEAR 4		
	52	LV43006-001A	GEAR 5		
	53	LV33617-001A	GEAR 6		
	54	LV33618-002A	LOADING G. ARM		
	55	QYWDL1635252	SLIT WASHER	3.5mm/1.6mm x 0.25mm	
	56	LV43007-001A	GEAR 7		
	57	LV33619-002A	GEAR 8		
	58	LV42132-001A	E RING		
	59	QYWFM215013	WASHER	5mm/2.1mm x 0.13mm	
	60	LV33620-001A	GEAR 9		
	61	LV43008-001A	GEAR10		
	62	LV43061-001A	LOAD SPRING		
	63	LV33621-001A	FEED GEAR		
	64	LV33622-001A	TRIGGER ARM		
	65	LV43062-001A	FEED TRI.SPRING		
	66	QAR0240-001	SPINDLE MOTOR		
	67	LV21287-002A	SPINDLE BASE		
	68	LV44169-001A	SPECIAL SCREW	(x2)	
	69	VKZ4539-056	MINI SCREW	(x2)	
	70	QAL0647-002	DVD PICK UP		
	71	LV33623-002A	RACK PLATE		
	72	LV43009-001A	RACK SPRING		
	73	QYSPSPT1740NA	SCREW	M1.7 x 4mm	
	74	LV43037-001A	LEAD SCREW		

Symbol No.	Part No.	Part Name	Description	Local
75	LV43010-001A	L.S.GEAR		
76	LV43063-001A	L.S.COLLAR		
77	LV43011-001A	THRUST SPRING		
78	QYSPSFT2040ZA	TAP SCREW	M2 x 4mm	
79	LV33624-001A	HOLDER(M)		
80	VKZ4539-056	MINI SCREW	(x2)	
81	LV21288-001A	HOLDER(S)		
82	VKZ4539-056	MINI SCREW	(x2)	
83	LV43064-001A	ROD(M)		
84	LV43065-001A	ROD(S)		
85	LV43066-001A	SUB SHAFT		
86	VKZ4730-002	SPECIAL SCREW	(x3)	
87	LV21298-007A	CLAMPER UNIT		
88	LV43070-001A	CLAMPER SPRING		
89	LV43355-001A	CLAMPER2 SPRING		
90	LV30225-0J6A	SPACER		
91	LV21299-006A	FRONT UNIT		
92	VKZ4539-056	MINI SCREW		
93	LVB30012-001A	SW FPC		
94	NSW0187-001	SWITCH		
95	NSW0187-001	SWITCH		
96	NSW0187-001	SWITCH		
97	VKZ4539-055	MINI SCREW	(x2)	
98	LV44232-001A	GRAPHITE SHEET		

Electrical parts list

Main board

Block No. [0][1]					Symbol No.	Part No.	Part Name	Description	Local
△	Symbol No.	Part No.	Part Name	Description	Local				
	IC31	SAA6579T-X	IC		E				
	IC131	NJM2160BV-X	IC						
	IC231	NJM2160BV-X	IC						
	IC301	LC75344M-X	IC						
	IC302	NJM4565V-X	IC						
	IC321	TDA7416	IC						
	IC322	NJM4565V-X	IC						
	IC331	NJM4565V-X	IC						
	IC332	CD4053BPW-X	IC						
	IC371	TB2906HQ	IC						
△	IC701	UPD784217AGC315	IC						
	IC721	BR24L32F-W-X	IC		E				
	IC721	BR24L16F-W-X	IC		A,J,U, UN,U T				
	IC731	S-80833CNNB-G-W	IC						
	IC741	SN74AHCT1G08V-X	IC						
△	IC801	HA13164A	IC						
	IC811	NJM2360AM-X	IC						
	IC821	BD3930FP-X	IC						
	IC822	BD9781HFP-W	IC						
	IC823	BH33MA3WHFV-W	IC						
	IC824	BA00BC0WFP-X	IC(DIGITAL)						
	IC881	BA6956AN	IC						
	IC912	TOTX177L	OPT TRANSMITTER						
	IC921	MM1228XF-X	IC						
	IC931	MM1228XF-X	IC						
	IC941	SN74AHC126NS-X	IC						
	IC971	SN74LVC32APW-X	IC						
	IC972	SN74HCT32APW-X	IC						
	Q1	2SC3928A/QR-X	TRANSISTOR		E				
	Q2	2SC3928A/QR-X	TRANSISTOR		E				
	Q3	RT1N141C-X	TRANSISTOR						
	Q4	2SB624/4-X	TRANSISTOR						
	Q5	2SA1530A/QR-X	TRANSISTOR						
	Q6	RT1N141C-X	TRANSISTOR		E				
	Q7	2SC3928A/QR-X	TRANSISTOR		E				
	Q8	RT1P141C-X	TRANSISTOR		E				
	Q9	RT1P141C-X	TRANSISTOR		E				
	Q10	RT1P141C-X	TRANSISTOR		E				
	Q101	2SD1781K/QR-X	TRANSISTOR						
	Q111	2SC3928A/QR-X	TRANSISTOR		E				
	Q151	2SD2114K/VW/-X	TRANSISTOR						
	Q161	2SD2114K/VW/-X	TRANSISTOR						
	Q201	2SD1781K/QR-X	TRANSISTOR						
	Q211	2SC3928A/QR-X	TRANSISTOR		E				
	Q251	2SD2114K/VW/-X	TRANSISTOR						
	Q261	2SD2114K/VW/-X	TRANSISTOR						
	Q341	2SD1781K/QR-X	TRANSISTOR						
	Q371	RT1N441C-X	TRANSISTOR						
	Q372	RT1P441C-X	TRANSISTOR						
	Q373	RT1N141C-X	TRANSISTOR						
	Q374	2SC3928A/QR-X	TRANSISTOR						
	Q801	2SB1132/QR/-W	TRANSISTOR						
	Q802	RT1N141C-X	TRANSISTOR						
	Q821	2SB1132/QR/-W	TRANSISTOR						
	Q822	RT1N141C-X	TRANSISTOR						
	Q825	2SA1530A/QR/-X	TRANSISTOR						
	Q827	RT1N141C-X	TRANSISTOR						
	Q841	RT1P141C-X	TRANSISTOR						
	Q842	RT1P141C-X	TRANSISTOR						
	Q843	RT1P141C-X	TRANSISTOR						
	Q844	RT1P141C-X	TRANSISTOR						
	Q845	RT1N141C-X	TRANSISTOR						
	Q847	2SC3928A/QR/-X	TRANSISTOR						
	Q848	RT1N141C-X	TRANSISTOR						
	Q849	RT1N141C-X	TRANSISTOR						
	Q861	2SD1994A/RS/-T	TRANSISTOR						
	Q862	RT1P141C-X	TRANSISTOR						
	Q863	RT1N141C-X	TRANSISTOR						
	Q881	RT1N141C-X	TRANSISTOR						
	Q951	RT1N141C-X	TRANSISTOR						
	Q952	2SA1530A/QR/-X	TRANSISTOR						
	Q953	RT1N441C-X	TRANSISTOR						
	Q991	2SC3928A/QR/-X	TRANSISTOR						
	D1	MC2838-X	DIODE						
	D2	1SS355-X	SI DIODE						
	D3	1SS355-X	SI DIODE						
	D151	MC2836-X	DIODE						
	D251	MC2836-X	DIODE						
	D301	MC2836-X	DIODE						
	D342	1SS355-X	SI DIODE						
	D371	UDZS11B-X	Z DIODE						
	D731	1SS355-X	SI DIODE						
	D802	1SS355-X	SI DIODE						
	D811	RB160M-30-X	SB DIODE						
	D821	RB051L-40-X	SB DIODE						
	D822	RB051L-40-X	SB DIODE						
	D823	RB160M-30-X	SB DIODE						
	D825	RB160M-30-X	SB DIODE						
	D841	UDZS11B-X	Z DIODE						
	D842	MC2836-X	DIODE						
	D843	1SS355-X	SI DIODE						
	D844	MC2836-X	DIODE						
	D845	1SS355-X	SI DIODE						
	D846	MC2836-X	DIODE						
	D847	1SS355-X	SI DIODE						
	D861	RB160M-30-X	SB DIODE						
	D862	UDZS12B-X	Z DIODE						
	D871	UDZS6.2B-X	Z DIODE						
	D881	UDZS4.7B-X	Z DIODE						E,J
△	D901	1N5401-TU-15	DIODE						
	D961	UDZS6.2B-X	Z DIODE						
	D962	UDZS6.2B-X	Z DIODE						
	D963	UDZS6.2B-X	Z DIODE						
	D964	UDZS6.2B-X	Z DIODE						
	D965	UDZS6.2B-X	Z DIODE						
	D966	UDZS6.2B-X	Z DIODE						
	D967	UDZS6.2B-X	Z DIODE						
	D968	UDZS6.2B-X	Z DIODE						
	D969	UDZS6.2B-X	Z DIODE						
	D981	RB160M-30-X	SB DIODE						
	D982	RB160M-30-X	SB DIODE						A,J,U, UN,U T
	D983	RB160M-30-X	SB DIODE						A,J,U, UN,U T
	D984	RB160M-30-X	SB DIODE						
	D991	SML-310LT/MN/-X	LED						
	D992	SML-310LT/MN/-X	LED						
	C1	QEKJ1HM-474Z	E CAPACITOR				0.47uF 50V M		E
	C2	NCB31CK-104X	C CAPACITOR				0.1uF 16V K		E
	C3	NCB31HK-472X	C CAPACITOR				4700pF 50V K		E
	C4	NCB31CK-103X	C CAPACITOR				0.01uF 16V K		E
	C5	NDC31HJ-331X	C CAPACITOR				330pF 50V J		E
	C5	NCB31CK-103X	C CAPACITOR				0.01uF 16V K		A,J,U, UN,U T
	C7	NCB31CK-473X	C CAPACITOR				0.047uF 16V K		
	C8	QERF1AM-107Z	E CAPACITOR				100uF 10V M		
	C9	QEKJ1HM-104Z	E CAPACITOR				0.1uF 50V M		
	C10	NDC31HJ-101X	C CAPACITOR				100pF 50V J		
	C11	NCB31CK-104X	C CAPACITOR				0.1uF 16V K		E
	C12	QERF1AM-107Z	E CAPACITOR				100uF 10V M		
	C14	QERF1AM-227Z	E CAPACITOR				220uF 10V M		
	C15	NCB31CK-103X	C CAPACITOR				0.01uF 16V K		
	C17	QERF1CM-476Z	E CAPACITOR				47uF 16V M		
	C18	NCB31CK-473X	C CAPACITOR				0.047uF 16V K		
	C19	QERF1CM-476Z	E CAPACITOR				47uF 16V M		
	C20	NCB31CK-103X	C CAPACITOR				0.01uF 16V K		
	C31	NCB31CK-103X	C CAPACITOR				0.01uF 16V K		E
	C32	QERF0JM-476Z	E CAPACITOR				47uF 6.3V M		E
	C33	NDC31HJ-470X	C CAPACITOR				47pF 50V J		E
	C34	NDC31HJ-820X	C CAPACITOR				82pF 50V J		E
	C35	NDC31HJ-561X	C CAPACITOR				560pF 50V J		E

△ Symbol No.	Part No.	Part Name	Description	Local	△ Symbol No.	Part No.	Part Name	Description	Local
C36	NCB31CK-223X	C CAPACITOR	0.022uF 16V K	E	C252	NDC31HJ-101X	C CAPACITOR	100pF 50V J	
C37	QERF1HM-225Z	E CAPACITOR	2.2uF 50V M	E	C261	QERF1EM-475Z	E CAPACITOR	4.7uF 25V M	
C101	NBE41AM-476X	TA E CAPACITOR	47uF 10V M		C262	NDC31HJ-101X	C CAPACITOR	100pF 50V J	
C102	QERF1EM-475Z	E CAPACITOR	4.7uF 25V M		C272	NFV81CM-105X	MF CAPACITOR	1uF 16V M	
C103	NDC31HJ-221X	C CAPACITOR	220pF 50V J		C273	NDC31HJ-101X	C CAPACITOR	100pF 50V J	
C104	NDC31HJ-101X	C CAPACITOR	100pF 50V J		C282	NFV81CM-105X	MF CAPACITOR	1uF 16V M	
C105	NDC31HJ-151X	C CAPACITOR	150pF 50V J		C283	NDC31HJ-101X	C CAPACITOR	100pF 50V J	
C106	QERF1EM-475Z	E CAPACITOR	4.7uF 25V M		C301	NBE21AM-226X	TA E CAPACITOR	22uF 10V M	
C108	NDC31HJ-101X	C CAPACITOR	100pF 50V J		C302	NCB31CK-104X	C CAPACITOR	0.1uF 16V K	
C109	QERF1EM-475Z	E CAPACITOR	4.7uF 25V M		C303	NBE41AM-476X	TA E CAPACITOR	47uF 10V M	
C111	NCB31CK-223X	C CAPACITOR	0.022uF 16V K	J	C304	NCB31CK-104X	C CAPACITOR	0.1uF 16V K	
				A,E,U,	C305	NBE41AM-476X	TA E CAPACITOR	47uF 10V M	
				UN,U	C308	NCB31CK-223X	C CAPACITOR	0.022uF 16V K	
				T	C315	NCB31CK-473X	C CAPACITOR	0.047uF 16V K	
C111	NCB31CK-153X	C CAPACITOR	0.015uF 16V K		C321	QERF1AM-107Z	E CAPACITOR	100uF 10V M	
C112	QERF1EM-475Z	E CAPACITOR	4.7uF 25V M		C322	NCB31CK-473X	C CAPACITOR	0.047uF 16V K	
C113	NDC31HJ-821X	C CAPACITOR	820pF 50V J		C323	QERF1CM-106Z	E CAPACITOR	10uF 16V M	
C115	NDC31HJ-101X	C CAPACITOR	100pF 50V J		C324	QERF1HM-105Z	E CAPACITOR	1uF 50V M	
C120	QERF1HM-105Z	E CAPACITOR	1uF 50V M		C325	NBE21AM-226X	TA E CAPACITOR	22uF 10V M	
C121	QERF1HM-105Z	E CAPACITOR	1uF 50V M		C326	NCB31CK-103X	C CAPACITOR	0.01uF 16V K	
C122	QERF1HM-105Z	E CAPACITOR	1uF 50V M		C327	QERF1CM-226Z	E CAPACITOR	22uF 16V M	
C124	QERF1HM-105Z	E CAPACITOR	1uF 50V M		C331	NCB31CK-103X	C CAPACITOR	0.01uF 16V K	
C125	NCB31CK-823X	C CAPACITOR	0.082uF 16V K		C332	QERF1CM-226Z	E CAPACITOR	22uF 16V M	
C126	NCB31CK-823X	C CAPACITOR	0.082uF 16V K		C333	NCB31CK-823X	C CAPACITOR	0.082uF 16V K	
C127	NBE41AM-476X	TA E CAPACITOR	47uF 10V M		C334	NBE41AM-476X	TA E CAPACITOR	47uF 10V M	
C129	QERF1EM-475Z	E CAPACITOR	4.7uF 25V M		C335	QERF1EM-475Z	E CAPACITOR	4.7uF 25V M	
C130	QERF1EM-475Z	E CAPACITOR	4.7uF 25V M		C336	NCB31CK-333X	C CAPACITOR	0.033uF 16V K	
C131	QERF1EM-475Z	E CAPACITOR	4.7uF 25V M		C337	NDC31HJ-221X	C CAPACITOR	220pF 50V J	
C140	QERF1EM-475Z	E CAPACITOR	4.7uF 25V M		C338	QERF1EM-475Z	E CAPACITOR	4.7uF 25V M	
C141	QERF1EM-475Z	E CAPACITOR	4.7uF 25V M		C339	NCB31CK-104X	C CAPACITOR	0.1uF 16V K	
C143	NCB31CK-104X	C CAPACITOR	0.1uF 16V K		C341	NCB31CK-102X	C CAPACITOR	1000pF 16V K	
C144	NCB31HK-152X	C CAPACITOR	1500pF 50V K		C343	NCB31CK-473X	C CAPACITOR	0.047uF 16V K	
C145	QERF1AM-107Z	E CAPACITOR	100uF 10V M		C362	NCB31CK-223X	C CAPACITOR	0.022uF 16V K	
C146	QERF1AM-107Z	E CAPACITOR	100uF 10V M		C371	NCB31CK-103X	C CAPACITOR	0.01uF 16V K	
C147	NCB31HK-152X	C CAPACITOR	1500pF 50V K		C372	QERF1CM-106Z	E CAPACITOR	10uF 16V M	
C148	NCB31CK-104X	C CAPACITOR	0.1uF 16V K		C373	QERF1EM-475Z	E CAPACITOR	4.7uF 25V M	
C149	QERF1CM-476Z	E CAPACITOR	47uF 16V M		C374	NCB31CK-103X	C CAPACITOR	0.01uF 16V K	
C151	QERF1EM-475Z	E CAPACITOR	4.7uF 25V M		C375	QERF1CM-476Z	E CAPACITOR	47uF 16V M	
C152	NDC31HJ-101X	C CAPACITOR	100pF 50V J		C376	QERF1CM-226Z	E CAPACITOR	22uF 16V M	
C161	QERF1EM-475Z	E CAPACITOR	4.7uF 25V M		C377	QERF1HM-225Z	E CAPACITOR	2.2uF 50V M	
C162	NDC31HJ-101X	C CAPACITOR	100pF 50V J		C701	NCB31CK-473X	C CAPACITOR	0.047uF 16V K	
C172	NFV81CM-105X	MF CAPACITOR	1uF 16V M		C702	QERF0JM-337Z	E CAPACITOR	330uF 6.3V M	
C173	NDC31HJ-101X	C CAPACITOR	100pF 50V J		C703	NCB31HK-471X	C CAPACITOR	470pF 50V K	
C182	NFV81CM-105X	MF CAPACITOR	1uF 16V M		C704	NCB31HK-471X	C CAPACITOR	470pF 50V K	
C183	NDC31HJ-101X	C CAPACITOR	100pF 50V J		C705	QERF0JM-337Z	E CAPACITOR	330uF 6.3V M	
C201	NBE41AM-476X	TA E CAPACITOR	47uF 10V M		C706	NDC31HJ-8R0X	C CAPACITOR	8pF 50V J	
C202	QERF1EM-475Z	E CAPACITOR	4.7uF 25V M		C707	NDC31HJ-270X	C CAPACITOR	27pF 50V J	
C203	NDC31HJ-221X	C CAPACITOR	220pF 50V J		C708	NDC31HJ-270X	C CAPACITOR	27pF 50V J	
C204	NDC31HJ-101X	C CAPACITOR	100pF 50V J		C709	NDC31HJ-220X	C CAPACITOR	22pF 50V J	
C205	NDC31HJ-151X	C CAPACITOR	150pF 50V J		C710	QERF0JM-337Z	E CAPACITOR	330uF 6.3V M	
C206	QERF1EM-475Z	E CAPACITOR	4.7uF 25V M		C711	QCFB1HZ-104Y	C CAPACITOR	0.1uF 50V Z	
C208	NDC31HJ-101X	C CAPACITOR	100pF 50V J		C721	NCB31HK-471X	C CAPACITOR	470pF 50V K	
C209	QERF1EM-475Z	E CAPACITOR	4.7uF 25V M		C731	NCB31CK-103X	C CAPACITOR	0.01uF 16V K	
C211	NCB31CK-223X	C CAPACITOR	0.022uF 16V K	J	C732	QERF0JM-476Z	E CAPACITOR	47uF 6.3V M	
				A,E,U,	C741	NCB31CK-103X	C CAPACITOR	0.01uF 16V K	
				UN,U	C801	QERF1CM-106Z	E CAPACITOR	10uF 16V M	
				T	C802	NCB31CK-104X	C CAPACITOR	0.1uF 16V K	
C211	NCB31CK-153X	C CAPACITOR	0.015uF 16V K		C803	QERF1AM-227Z	E CAPACITOR	220uF 10V M	
C212	QERF1EM-475Z	E CAPACITOR	4.7uF 25V M		C804	NCB31CK-104X	C CAPACITOR	0.1uF 16V K	
C213	NDC31HJ-821X	C CAPACITOR	820pF 50V J		C805	NCB31CK-103X	C CAPACITOR	0.01uF 16V K	
C215	NDC31HJ-101X	C CAPACITOR	100pF 50V J		C806	QERF1AM-227Z	E CAPACITOR	220uF 10V M	
C220	QERF1HM-105Z	E CAPACITOR	1uF 50V M		C807	QERF1CM-226Z	E CAPACITOR	22uF 16V M	
C221	QERF1HM-105Z	E CAPACITOR	1uF 50V M		C808	NCB31HK-102X	C CAPACITOR	1000pF 50V K	
C222	QERF1HM-105Z	E CAPACITOR	1uF 50V M		C809	QCFB1HZ-104Y	C CAPACITOR	0.1uF 50V Z	
C224	QERF1HM-105Z	E CAPACITOR	1uF 50V M		C811	QERF1CM-226Z	E CAPACITOR	22uF 16V M	
C225	NCB31CK-823X	C CAPACITOR	0.082uF 16V K		C812	QERF1CM-107Z	E CAPACITOR	100uF 16V M	
C226	NCB31CK-823X	C CAPACITOR	0.082uF 16V K		C813	NCB31CK-473X	C CAPACITOR	0.047uF 16V K	
C227	NBE41AM-476X	TA E CAPACITOR	47uF 10V M		C814	NCB31HK-102X	C CAPACITOR	1000pF 50V K	
C229	QERF1EM-475Z	E CAPACITOR	4.7uF 25V M		C815	QERF1CM-107Z	E CAPACITOR	100uF 16V M	
C230	QERF1EM-475Z	E CAPACITOR	4.7uF 25V M		C816	NDC31HJ-391X	C CAPACITOR	390pF 50V J	
C231	QERF1EM-475Z	E CAPACITOR	4.7uF 25V M						
C240	QERF1EM-475Z	E CAPACITOR	4.7uF 25V M		C816	NDC31HJ-271X	C CAPACITOR	270pF 50V J	E
C241	QERF1EM-475Z	E CAPACITOR	4.7uF 25V M						A,J,U,
C243	NCB31CK-104X	C CAPACITOR	0.1uF 16V K						UN,U
C244	NCB31HK-152X	C CAPACITOR	1500pF 50V K						T
C245	QERF1AM-107Z	E CAPACITOR	100uF 10V M		C817	QERF1AM-107Z	E CAPACITOR	100uF 10V M	
C246	QERF1AM-107Z	E CAPACITOR	100uF 10V M		C821	QERF1CM-107Z	E CAPACITOR	100uF 16V M	
C247	NCB31HK-152X	C CAPACITOR	1500pF 50V K		C822	QERF1AM-227Z	E CAPACITOR	220uF 10V M	
C248	NCB31CK-104X	C CAPACITOR	0.1uF 16V K		C823	NCB31CK-104X	C CAPACITOR	0.1uF 16V K	
C249	QERF1CM-476Z	E CAPACITOR	47uF 16V M		C824	NCB31HK-472X	C CAPACITOR	4700pF 50V K	
C251	QERF1EM-475Z	E CAPACITOR	4.7uF 25V M						

△ Symbol No.	Part No.	Part Name	Description	Local	△ Symbol No.	Part No.	Part Name	Description	Local
C826	QERF1CM-476Z	E CAPACITOR	47uF 16V M		R24	NRSA63J-103X	MG RESISTOR	10kΩ 1/16W J	
C827	QEZO595-477Z	E CAPACITOR	470uF		R31	NRSA63J-0R0X	MG RESISTOR	0Ω 1/16W J	E
C828	QEZO595-477Z	E CAPACITOR	470uF		R32	NRSA63J-0R0X	MG RESISTOR	0Ω 1/16W J	E
C829	NCB31CK-104X	C CAPACITOR	0.1uF 16V K		R35	NRSA63J-222X	MG RESISTOR	2.2kΩ 1/16W J	E
C830	NCB31CK-105X	C CAPACITOR	1uF 16V K		R36	NRSA63J-222X	MG RESISTOR	2.2kΩ 1/16W J	E
C831	QERF1AM-227Z	E CAPACITOR	220uF 10V M		R37	NRSA63J-222X	MG RESISTOR	2.2kΩ 1/16W J	E
C832	NCB31CK-103X	C CAPACITOR	0.01uF 16V K		R101	NRSA63J-223X	MG RESISTOR	22kΩ 1/16W J	
C834	NCB31CK-103X	C CAPACITOR	0.01uF 16V K		R102	NRSA63J-223X	MG RESISTOR	22kΩ 1/16W J	
C835	QERF1AM-107Z	E CAPACITOR	100uF 10V M		R103	NRSA63J-104X	MG RESISTOR	100kΩ 1/16W J	
C836	NCB31CK-103X	C CAPACITOR	0.01uF 16V K		R104	NRSA63J-472X	MG RESISTOR	4.7kΩ 1/16W J	
C837	QERF1AM-107Z	E CAPACITOR	100uF 10V M		R105	NRSA63J-183X	MG RESISTOR	18kΩ 1/16W J	
C838	NCB31CK-103X	C CAPACITOR	0.01uF 16V K		R106	NRSA63J-183X	MG RESISTOR	18kΩ 1/16W J	
C839	NDC21HJ-103X	C CAPACITOR	0.01uF 50V J		R107	NRSA63J-473X	MG RESISTOR	47kΩ 1/16W J	
C840	NCB11CK-225X	C CAPACITOR	2.2uF 16V K		R108	NRSA63J-102X	MG RESISTOR	1kΩ 1/16W J	
C841	QERF1CM-476Z	E CAPACITOR	47uF 16V M		R109	NRSA63J-101X	MG RESISTOR	100Ω 1/16W J	
C842	QERF0JM-476Z	E CAPACITOR	47uF 6.3V M		R110	NRSA63J-222X	MG RESISTOR	2.2kΩ 1/16W J	
C843	QERF0JM-476Z	E CAPACITOR	47uF 6.3V M		R111	NRSA63J-103X	MG RESISTOR	10kΩ 1/16W J	E
C844	QERF0JM-476Z	E CAPACITOR	47uF 6.3V M						A,J,U
C845	NCB31CK-104X	C CAPACITOR	0.1uF 16V K		R111	NRSA63J-822X	MG RESISTOR	8.2kΩ 1/16W J	UN,U
C847	QERF1CM-226Z	E CAPACITOR	22uF 16V M						T
C848	QERF1CM-106Z	E CAPACITOR	10uF 16V M		R112	NRSA63J-682X	MG RESISTOR	6.8kΩ 1/16W J	J
C849	QERF1CM-106Z	E CAPACITOR	10uF 16V M						A,E,U
C861	NCB31CK-104X	C CAPACITOR	0.1uF 16V K		R112	NRSA63J-273X	MG RESISTOR	27kΩ 1/16W J	UN,U
C862	QERF1CM-106Z	E CAPACITOR	10uF 16V M						T
C863	QERF1CM-106Z	E CAPACITOR	10uF 16V M		R113	NRSA63J-472X	MG RESISTOR	4.7kΩ 1/16W J	E
C864	NCB31CK-103X	C CAPACITOR	0.01uF 16V K		R115	NRSA63J-473X	MG RESISTOR	47kΩ 1/16W J	
C881	QERF1AM-107Z	E CAPACITOR	100uF 10V M		R121	NRSA63J-103X	MG RESISTOR	10kΩ 1/16W J	
C882	NCB31CK-473X	C CAPACITOR	0.047uF 16V K		R122	NRSA63J-103X	MG RESISTOR	10kΩ 1/16W J	
C901	QEZO675-338	E CAPACITOR	3300uF		R123	NRSA63J-223X	MG RESISTOR	22kΩ 1/16W J	
C902	QERF1HM-225Z	E CAPACITOR	2.2uF 50V M		R124	NRSA63J-473X	MG RESISTOR	47kΩ 1/16W J	
C914	QERF0JM-476Z	E CAPACITOR	47uF 6.3V M		R126	NRSA63J-0R0X	MG RESISTOR	0Ω 1/16W J	
C915	NDC31HJ-220X	C CAPACITOR	22pF 50V J		R130	NRSA63J-102X	MG RESISTOR	1kΩ 1/16W J	
C916	NCB31CK-103X	C CAPACITOR	0.01uF 16V K		R131	NRSA63J-104X	MG RESISTOR	100kΩ 1/16W J	
C921	NCB31CK-105X	C CAPACITOR	1uF 16V K		R132	NRSA63J-363X	MG RESISTOR	36kΩ 1/16W J	
C922	NCB31CK-473X	C CAPACITOR	0.047uF 16V K		R133	NRSA63J-243X	MG RESISTOR	24kΩ 1/16W J	
C923	QERF1AM-227Z	E CAPACITOR	220uF 10V M		R140	NRSA63J-102X	MG RESISTOR	1kΩ 1/16W J	
C924	QERF0JM-337Z	E CAPACITOR	330uF 6.3V M		R141	NRSA63J-104X	MG RESISTOR	100kΩ 1/16W J	
C925	NCB31CK-105X	C CAPACITOR	1uF 16V K		R142	NRSA63J-363X	MG RESISTOR	36kΩ 1/16W J	
C931	NCB31AK-105X	C CAPACITOR	1uF 10V K		R143	NRSA63J-243X	MG RESISTOR	24kΩ 1/16W J	
C932	NCB31CK-473X	C CAPACITOR	0.047uF 16V K		R151	NRSA63J-473X	MG RESISTOR	47kΩ 1/16W J	
C933	QERF1AM-227Z	E CAPACITOR	220uF 10V M		R152	NRSA63J-102X	MG RESISTOR	1kΩ 1/16W J	
C934	QERF0JM-337Z	E CAPACITOR	330uF 6.3V M		R153	NRSA63J-101X	MG RESISTOR	100Ω 1/16W J	
C935	NCB31AK-105X	C CAPACITOR	1uF 10V K		R154	NRSA63J-222X	MG RESISTOR	2.2kΩ 1/16W J	
C941	NDC31HJ-220X	C CAPACITOR	22pF 50V J		R161	NRSA63J-473X	MG RESISTOR	47kΩ 1/16W J	
C942	NCB31CK-473X	C CAPACITOR	0.047uF 16V K		R162	NRSA63J-102X	MG RESISTOR	1kΩ 1/16W J	
C943	NDC31HJ-220X	C CAPACITOR	22pF 50V J		R163	NRSA63J-101X	MG RESISTOR	100Ω 1/16W J	
C951	QERF1HM-104Z	E CAPACITOR	0.1uF 50V M		R164	NRSA63J-222X	MG RESISTOR	2.2kΩ 1/16W J	
C964	QERF1CM-226Z	E CAPACITOR	22uF 16V M		R171	NRSA63J-183X	MG RESISTOR	18kΩ 1/16W J	
C965	QERF1CM-226Z	E CAPACITOR	22uF 16V M		R172	NRSA63J-473X	MG RESISTOR	47kΩ 1/16W J	
C966	QERF1CM-476Z	E CAPACITOR	47uF 16V M		R173	NRSA63J-102X	MG RESISTOR	1kΩ 1/16W J	
C971	NCB31CK-104X	C CAPACITOR	0.1uF 16V K		R181	NRSA63J-183X	MG RESISTOR	18kΩ 1/16W J	
C972	NCB31CK-104X	C CAPACITOR	0.1uF 16V K		R182	NRSA63J-473X	MG RESISTOR	47kΩ 1/16W J	
					R183	NRSA63J-102X	MG RESISTOR	1kΩ 1/16W J	
C981	NCB31CK-104X	C CAPACITOR	0.1uF 16V K	A,J,U UN,U T	R201	NRSA63J-223X	MG RESISTOR	22kΩ 1/16W J	
					R202	NRSA63J-223X	MG RESISTOR	22kΩ 1/16W J	
C982	NCB31CK-104X	C CAPACITOR	0.1uF 16V K		R203	NRSA63J-104X	MG RESISTOR	100kΩ 1/16W J	
					R204	NRSA63J-472X	MG RESISTOR	4.7kΩ 1/16W J	
R1	NRSA63J-471X	MG RESISTOR	470Ω 1/16W J	E	R205	NRSA63J-183X	MG RESISTOR	18kΩ 1/16W J	
R2	NRSA63J-103X	MG RESISTOR	10kΩ 1/16W J	E	R206	NRSA63J-183X	MG RESISTOR	18kΩ 1/16W J	
R3	NRSA63J-103X	MG RESISTOR	10kΩ 1/16W J	E	R207	NRSA63J-473X	MG RESISTOR	47kΩ 1/16W J	
R4	NRSA63J-103X	MG RESISTOR	10kΩ 1/16W J	E	R208	NRSA63J-102X	MG RESISTOR	1kΩ 1/16W J	
R5	NRSA63J-222X	MG RESISTOR	2.2kΩ 1/16W J	E	R209	NRSA63J-101X	MG RESISTOR	100Ω 1/16W J	
R6	NRSA63J-473X	MG RESISTOR	47kΩ 1/16W J	E	R210	NRSA63J-222X	MG RESISTOR	2.2kΩ 1/16W J	
R7	NRSA63J-393X	MG RESISTOR	39kΩ 1/16W J	E	R211	NRSA63J-103X	MG RESISTOR	10kΩ 1/16W J	E
R8	NRSA63J-220X	MG RESISTOR	22Ω 1/16W J						A,J,U
R9	NRSA63J-220X	MG RESISTOR	22Ω 1/16W J		R211	NRSA63J-822X	MG RESISTOR	8.2kΩ 1/16W J	UN,U
R10	NRSA63J-473X	MG RESISTOR	47kΩ 1/16W J						T
R11	NRSA63J-472X	MG RESISTOR	4.7kΩ 1/16W J		R212	NRSA63J-682X	MG RESISTOR	6.8kΩ 1/16W J	J
R12	NRSA63J-473X	MG RESISTOR	47kΩ 1/16W J						A,E,U
R13	NRSA63J-332X	MG RESISTOR	3.3kΩ 1/16W J		R212	NRSA63J-273X	MG RESISTOR	27kΩ 1/16W J	UN,U
R14	NRSA63J-330X	MG RESISTOR	33Ω 1/16W J						T
									E
R17	NRSA63J-0R0X	MG RESISTOR	0Ω 1/16W J	A,J,U UN,U T	R213	NRSA63J-472X	MG RESISTOR	4.7kΩ 1/16W J	
					R215	NRSA63J-473X	MG RESISTOR	47kΩ 1/16W J	
R18	NRSA63J-472X	MG RESISTOR	4.7kΩ 1/16W J	E	R221	NRSA63J-103X	MG RESISTOR	10kΩ 1/16W J	
R19	NRSA63J-473X	MG RESISTOR	47kΩ 1/16W J	E	R222	NRSA63J-103X	MG RESISTOR	10kΩ 1/16W J	
R20	NRSA63J-473X	MG RESISTOR	47kΩ 1/16W J		R223	NRSA63J-223X	MG RESISTOR	22kΩ 1/16W J	
R21	NRSA63J-4R7X	MG RESISTOR	4.7Ω 1/16W J		R224	NRSA63J-473X	MG RESISTOR	47kΩ 1/16W J	
R23	NRSA63J-393X	MG RESISTOR	39kΩ 1/16W J		R226	NRSA63J-0R0X	MG RESISTOR	0Ω 1/16W J	
					R230	NRSA63J-102X	MG RESISTOR	1kΩ 1/16W J	

△ Symbol No.	Part No.	Part Name	Description	Local	△ Symbol No.	Part No.	Part Name	Description	Local
R231	NRSA63J-104X	MG RESISTOR	100kΩ 1/16W J						
R232	NRSA63J-363X	MG RESISTOR	36kΩ 1/16W J		R721	NRSA63J-473X	MG RESISTOR	47kΩ 1/16W J	A,J,U, UN,U T
R233	NRSA63J-243X	MG RESISTOR	24kΩ 1/16W J						
R240	NRSA63J-102X	MG RESISTOR	1kΩ 1/16W J		R722	NRSA63J-103X	MG RESISTOR	10kΩ 1/16W J	
R241	NRSA63J-104X	MG RESISTOR	100kΩ 1/16W J		R723	NRSA63J-103X	MG RESISTOR	10kΩ 1/16W J	
R242	NRSA63J-363X	MG RESISTOR	36kΩ 1/16W J		R725	NRSA63J-102X	MG RESISTOR	1kΩ 1/16W J	
R243	NRSA63J-243X	MG RESISTOR	24kΩ 1/16W J		R726	NRSA63J-392X	MG RESISTOR	3.9kΩ 1/16W J	
R251	NRSA63J-473X	MG RESISTOR	47kΩ 1/16W J		R727	NRSA63J-392X	MG RESISTOR	3.9kΩ 1/16W J	
R252	NRSA63J-102X	MG RESISTOR	1kΩ 1/16W J		R728	NRSA63J-392X	MG RESISTOR	3.9kΩ 1/16W J	
R253	NRSA63J-101X	MG RESISTOR	100Ω 1/16W J		R729	NRSA63J-472X	MG RESISTOR	4.7kΩ 1/16W J	
R254	NRSA63J-222X	MG RESISTOR	2.2kΩ 1/16W J		R730	NRSA63J-472X	MG RESISTOR	4.7kΩ 1/16W J	
R261	NRSA63J-473X	MG RESISTOR	47kΩ 1/16W J		R731	NRSA63J-472X	MG RESISTOR	4.7kΩ 1/16W J	
R262	NRSA63J-102X	MG RESISTOR	1kΩ 1/16W J		R732	NRSA63J-102X	MG RESISTOR	1kΩ 1/16W J	
R263	NRSA63J-101X	MG RESISTOR	100Ω 1/16W J		R733	NRSA63J-103X	MG RESISTOR	10kΩ 1/16W J	
R264	NRSA63J-222X	MG RESISTOR	2.2kΩ 1/16W J		R734	NRSA63J-222X	MG RESISTOR	2.2kΩ 1/16W J	
R271	NRSA63J-183X	MG RESISTOR	18kΩ 1/16W J		R735	NRSA63J-222X	MG RESISTOR	2.2kΩ 1/16W J	
R272	NRSA63J-473X	MG RESISTOR	47kΩ 1/16W J		R736	NRSA63J-222X	MG RESISTOR	2.2kΩ 1/16W J	
R273	NRSA63J-102X	MG RESISTOR	1kΩ 1/16W J		R737	NRSA63J-222X	MG RESISTOR	2.2kΩ 1/16W J	
R281	NRSA63J-183X	MG RESISTOR	18kΩ 1/16W J		R738	NRSA63J-102X	MG RESISTOR	1kΩ 1/16W J	
R282	NRSA63J-473X	MG RESISTOR	47kΩ 1/16W J		R739	NRSA63J-0R0X	MG RESISTOR	0Ω 1/16W J	
R283	NRSA63J-102X	MG RESISTOR	1kΩ 1/16W J		R740	NRSA63J-271X	MG RESISTOR	270Ω 1/16W J	
R301	NRSA63J-100X	MG RESISTOR	10Ω 1/16W J		R741	NRSA63J-271X	MG RESISTOR	270Ω 1/16W J	
R302	NRSA63J-100X	MG RESISTOR	10Ω 1/16W J		R742	NRSA63J-103X	MG RESISTOR	10kΩ 1/16W J	
R303	NRSA63J-100X	MG RESISTOR	10Ω 1/16W J						
R315	NRSA63J-471X	MG RESISTOR	470Ω 1/16W J		R743	NRSA63J-473X	MG RESISTOR	47kΩ 1/16W J	A,E,U, UN,U T
R320	NRSA63J-0R0X	MG RESISTOR	0Ω 1/16W J						
R321	NRSA63J-473X	MG RESISTOR	47kΩ 1/16W J		R744	NRSA63J-103X	MG RESISTOR	10kΩ 1/16W J	
R322	NRSA63J-473X	MG RESISTOR	47kΩ 1/16W J		R745	NRSA63J-473X	MG RESISTOR	47kΩ 1/16W J	J
R323	NRSA63J-473X	MG RESISTOR	47kΩ 1/16W J		R746	NRSA63J-473X	MG RESISTOR	47kΩ 1/16W J	
R324	NRSA63J-103X	MG RESISTOR	10kΩ 1/16W J		R747	NRSA63J-102X	MG RESISTOR	1kΩ 1/16W J	
R325	NRSA63J-221X	MG RESISTOR	220Ω 1/16W J		R748	NRSA63J-102X	MG RESISTOR	1kΩ 1/16W J	
R326	NRSA63J-222X	MG RESISTOR	2.2kΩ 1/16W J		R749	NRSA63J-222X	MG RESISTOR	2.2kΩ 1/16W J	
R327	NRSA63J-222X	MG RESISTOR	2.2kΩ 1/16W J		R750	NRSA63J-102X	MG RESISTOR	1kΩ 1/16W J	
R328	NRSA63J-222X	MG RESISTOR	2.2kΩ 1/16W J		R751	NRSA63J-222X	MG RESISTOR	2.2kΩ 1/16W J	
R329	NRSA63J-222X	MG RESISTOR	2.2kΩ 1/16W J		R752	NRSA63J-222X	MG RESISTOR	2.2kΩ 1/16W J	
R330	NRSA63J-0R0X	MG RESISTOR	0Ω 1/16W J		R753	NRSA63J-222X	MG RESISTOR	2.2kΩ 1/16W J	
R331	NRSA63J-0R0X	MG RESISTOR	0Ω 1/16W J		R754	NRSA63J-222X	MG RESISTOR	2.2kΩ 1/16W J	
R332	NRSA63J-103X	MG RESISTOR	10kΩ 1/16W J		R755	NRSA63J-222X	MG RESISTOR	2.2kΩ 1/16W J	
R333	NRSA63J-103X	MG RESISTOR	10kΩ 1/16W J		R756	NRSA63J-473X	MG RESISTOR	47kΩ 1/16W J	
R334	NRSA63J-683X	MG RESISTOR	68kΩ 1/16W J		R757	NRSA63J-473X	MG RESISTOR	47kΩ 1/16W J	
R335	NRSA63J-273X	MG RESISTOR	27kΩ 1/16W J		R758	NRSA63J-102X	MG RESISTOR	1kΩ 1/16W J	
R336	NRSA63J-683X	MG RESISTOR	68kΩ 1/16W J		R760	NRSA63J-102X	MG RESISTOR	1kΩ 1/16W J	
R337	NRSA63J-223X	MG RESISTOR	22kΩ 1/16W J		R761	NRSA63J-102X	MG RESISTOR	1kΩ 1/16W J	
R338	NRSA63J-223X	MG RESISTOR	22kΩ 1/16W J		R762	NRSA63J-102X	MG RESISTOR	1kΩ 1/16W J	
R339	NRSA63J-103X	MG RESISTOR	10kΩ 1/16W J		R763	NRSA63J-473X	MG RESISTOR	47kΩ 1/16W J	
R340	NRSA63J-103X	MG RESISTOR	10kΩ 1/16W J		R764	NRSA63J-102X	MG RESISTOR	1kΩ 1/16W J	
R341	NRSA63J-821X	MG RESISTOR	820Ω 1/16W J		R765	NRSA63J-102X	MG RESISTOR	1kΩ 1/16W J	
R342	NRSA63J-101X	MG RESISTOR	100Ω 1/16W J		R766	NRSA63J-102X	MG RESISTOR	1kΩ 1/16W J	
R343	NRSA63J-472X	MG RESISTOR	4.7kΩ 1/16W J		R767	NRSA63J-102X	MG RESISTOR	1kΩ 1/16W J	
R370	NRSA63J-473X	MG RESISTOR	47kΩ 1/16W J		R768	NRSA63J-562X	MG RESISTOR	5.6kΩ 1/16W J	
R371	NRSA63J-0R0X	MG RESISTOR	0Ω 1/16W J		R769	NRSA63J-102X	MG RESISTOR	1kΩ 1/16W J	
R372	NRSA63J-473X	MG RESISTOR	47kΩ 1/16W J		R770	NRSA63J-0R0X	MG RESISTOR	0Ω 1/16W J	
R373	NRSA63J-222X	MG RESISTOR	2.2kΩ 1/16W J		R771	NRSA63J-222X	MG RESISTOR	2.2kΩ 1/16W J	
R374	NRSA63J-100X	MG RESISTOR	10Ω 1/16W J		R772	NRSA63J-222X	MG RESISTOR	2.2kΩ 1/16W J	
R375	NRSA63J-273X	MG RESISTOR	27kΩ 1/16W J		R773	NRSA63J-222X	MG RESISTOR	2.2kΩ 1/16W J	
R376	NRSA63J-0R0X	MG RESISTOR	0Ω 1/16W J		R774	NRSA63J-103X	MG RESISTOR	10kΩ 1/16W J	
R377	NRSA63J-0R0X	MG RESISTOR	0Ω 1/16W J		R775	NRSA63J-0R0X	MG RESISTOR	0Ω 1/16W J	
R378	NRSA63J-103X	MG RESISTOR	10kΩ 1/16W J		R776	NRSA63J-0R0X	MG RESISTOR	0Ω 1/16W J	
R701	NRSA63J-222X	MG RESISTOR	2.2kΩ 1/16W J		R777	NRSA63J-0R0X	MG RESISTOR	0Ω 1/16W J	
R702	NRSA63J-222X	MG RESISTOR	2.2kΩ 1/16W J		R778	NRSA63J-0R0X	MG RESISTOR	0Ω 1/16W J	
R703	NRSA63J-222X	MG RESISTOR	2.2kΩ 1/16W J		R779	NRSA63J-0R0X	MG RESISTOR	0Ω 1/16W J	
R704	NRSA63J-821X	MG RESISTOR	820Ω 1/16W J		R782	NRSA63J-222X	MG RESISTOR	2.2kΩ 1/16W J	
R705	NRSA63J-106X	MG RESISTOR	10MΩ 1/16W J		R783	NRSA63J-472X	MG RESISTOR	4.7kΩ 1/16W J	
R706	NRSA63J-473X	MG RESISTOR	47kΩ 1/16W J		R784	NRSA63J-472X	MG RESISTOR	4.7kΩ 1/16W J	
R707	NRSA63J-222X	MG RESISTOR	2.2kΩ 1/16W J		R785	NRSA63J-473X	MG RESISTOR	47kΩ 1/16W J	E,J A,J,U, UN,U T
R708	NRSA63J-333X	MG RESISTOR	33kΩ 1/16W J						
R709	NRSA63J-223X	MG RESISTOR	22kΩ 1/16W J		R786	NRSA63J-473X	MG RESISTOR	47kΩ 1/16W J	A,U,U N,UT E
R710	NRSA63J-103X	MG RESISTOR	10kΩ 1/16W J						
R711	NRSA63J-222X	MG RESISTOR	2.2kΩ 1/16W J		R787	NRSA63J-473X	MG RESISTOR	47kΩ 1/16W J	
R712	NRSA63J-222X	MG RESISTOR	2.2kΩ 1/16W J		R788	NRSA63J-473X	MG RESISTOR	47kΩ 1/16W J	
R713	NRSA63J-222X	MG RESISTOR	2.2kΩ 1/16W J		R789	NRSA63J-222X	MG RESISTOR	2.2kΩ 1/16W J	
R714	NRSA63J-472X	MG RESISTOR	4.7kΩ 1/16W J		R790	NRSA63J-473X	MG RESISTOR	47kΩ 1/16W J	
R715	NRSA63J-102X	MG RESISTOR	1kΩ 1/16W J		R791	NRSA63J-822X	MG RESISTOR	8.2kΩ 1/16W J	
R716	NRSA63J-472X	MG RESISTOR	4.7kΩ 1/16W J		R792	NRSA63J-822X	MG RESISTOR	8.2kΩ 1/16W J	
R717	NRSA63J-472X	MG RESISTOR	4.7kΩ 1/16W J		R793	NRSA63J-822X	MG RESISTOR	8.2kΩ 1/16W J	
R718	NRSA63J-103X	MG RESISTOR	10kΩ 1/16W J		R794	NRSA63J-104X	MG RESISTOR	100kΩ 1/16W J	
R719	NRSA63J-103X	MG RESISTOR	10kΩ 1/16W J		R801	NRSA63J-562X	MG RESISTOR	5.6kΩ 1/16W J	
R720	NRSA63J-103X	MG RESISTOR	10kΩ 1/16W J	E	R803	NRSA63J-102X	MG RESISTOR	1kΩ 1/16W J	

△ Symbol No.	Part No.	Part Name	Description	Local	△ Symbol No.	Part No.	Part Name	Description	Local
R804	NRSA63J-223X	MG RESISTOR	22kΩ 1/16W J		R937	NRSA63J-0R0X	MG RESISTOR	0Ω 1/16W J	
R805	NRSA63J-391X	MG RESISTOR	390kΩ 1/16W J		R938	NRSA63J-105X	MG RESISTOR	1MΩ 1/16W J	
R806	NRSA63J-0R0X	MG RESISTOR	0Ω 1/16W J		R939	NRSA63J-105X	MG RESISTOR	1MΩ 1/16W J	
R807	NRS144J-220X	MG RESISTOR	22Ω 1/4W J		R940	NRSA63J-473X	MG RESISTOR	47kΩ 1/16W J	
R808	NRS144J-220X	MG RESISTOR	22Ω 1/4W J		R941	NRSA63J-473X	MG RESISTOR	47kΩ 1/16W J	
R810	NRSA63J-2R2X	MG RESISTOR	2.2Ω 1/16W J		R942	NRSA63J-101X	MG RESISTOR	100Ω 1/16W J	
R811	NRSA63J-2R2X	MG RESISTOR	2.2Ω 1/16W J		R943	NRSA63J-223X	MG RESISTOR	22kΩ 1/16W J	
R812	NRSA63J-2R2X	MG RESISTOR	2.2Ω 1/16W J		R944	NRSA63J-104X	MG RESISTOR	100kΩ 1/16W J	
R813	NRSA63J-2R2X	MG RESISTOR	2.2Ω 1/16W J		R945	NRSA63J-103X	MG RESISTOR	10kΩ 1/16W J	
R814	NRSA63J-181X	MG RESISTOR	180Ω 1/16W J		R946	NRSA63J-104X	MG RESISTOR	100kΩ 1/16W J	
R815	NRSA63J-102X	MG RESISTOR	1kΩ 1/16W J		R947	NRSA63J-331X	MG RESISTOR	330Ω 1/16W J	
R816	NRSA63J-393X	MG RESISTOR	39kΩ 1/16W J		R948	NRSA63J-223X	MG RESISTOR	22kΩ 1/16W J	
R819	NRSA63J-392X	MG RESISTOR	3.9kΩ 1/16W J		R949	NRSA63J-101X	MG RESISTOR	100Ω 1/16W J	
R821	NRSA63J-0R0X	MG RESISTOR	0Ω 1/16W J		R951	NRSA63J-392X	MG RESISTOR	3.9kΩ 1/16W J	
R822	NRSA63J-104X	MG RESISTOR	100kΩ 1/16W J		R952	NRSA63J-392X	MG RESISTOR	3.9kΩ 1/16W J	
R823	NRSA63J-124X	MG RESISTOR	120kΩ 1/16W J		R953	NRSA63J-392X	MG RESISTOR	3.9kΩ 1/16W J	
R824	NRSA63J-123X	MG RESISTOR	12kΩ 1/16W J		R954	NRSA63J-392X	MG RESISTOR	3.9kΩ 1/16W J	
R825	NRSA63J-393X	MG RESISTOR	39kΩ 1/16W J		R955	NRSA63J-183X	MG RESISTOR	18kΩ 1/16W J	
R826	NRSA63J-393X	MG RESISTOR	39kΩ 1/16W J		R956	NRSA63J-563X	MG RESISTOR	56kΩ 1/16W J	
R828	NRSA63J-223X	MG RESISTOR	22kΩ 1/16W J		R960	NRSA63J-101X	MG RESISTOR	100Ω 1/16W J	
R829	NRSA63J-221X	MG RESISTOR	220Ω 1/16W J		R961	NRSA63J-0R0X	MG RESISTOR	0Ω 1/16W J	
R830	NRSA63J-103X	MG RESISTOR	10kΩ 1/16W J		R963	NRSA63J-0R0X	MG RESISTOR	0Ω 1/16W J	
R833	NRSA63J-103X	MG RESISTOR	10kΩ 1/16W J		R964	NRSA63J-0R0X	MG RESISTOR	0Ω 1/16W J	
R834	NRSA63J-333X	MG RESISTOR	33kΩ 1/16W J		R965	NRSA63J-0R0X	MG RESISTOR	0Ω 1/16W J	
R835	NRSA63J-333X	MG RESISTOR	33kΩ 1/16W J		R966	NRSA63J-0R0X	MG RESISTOR	0Ω 1/16W J	
R836	NRSA63J-473X	MG RESISTOR	47kΩ 1/16W J		R968	NRSA63J-332X	MG RESISTOR	3.3kΩ 1/16W J	
R837	NRSA63J-222X	MG RESISTOR	2.2kΩ 1/16W J		R969	NRSA63J-0R0X	MG RESISTOR	0Ω 1/16W J	
R839	NRSA63J-221X	MG RESISTOR	220Ω 1/16W J		R970	NRSA63J-332X	MG RESISTOR	3.3kΩ 1/16W J	
R841	NRSA63J-471X	MG RESISTOR	470Ω 1/16W J		R972	NRSA63J-0R0X	MG RESISTOR	0Ω 1/16W J	
R842	NRSA63J-471X	MG RESISTOR	470Ω 1/16W J		R973	NRSA63J-0R0X	MG RESISTOR	0Ω 1/16W J	
R843	NRSA63J-471X	MG RESISTOR	470Ω 1/16W J		R974	NRSA63J-0R0X	MG RESISTOR	0Ω 1/16W J	
R844	NRSA63J-473X	MG RESISTOR	47kΩ 1/16W J		R975	NRSA63J-0R0X	MG RESISTOR	0Ω 1/16W J	
R845	NRSA63J-102X	MG RESISTOR	1kΩ 1/16W J		R976	NRSA63J-103X	MG RESISTOR	10kΩ 1/16W J	
R847	NRSA63J-473X	MG RESISTOR	47kΩ 1/16W J		R977	NRSA63J-103X	MG RESISTOR	10kΩ 1/16W J	
R848	NRSA63J-103X	MG RESISTOR	10kΩ 1/16W J		R978	NRSA63J-103X	MG RESISTOR	10kΩ 1/16W J	
R849	NRSA63J-473X	MG RESISTOR	47kΩ 1/16W J		R979	NRSA63J-0R0X	MG RESISTOR	0Ω 1/16W J	
R850	NRSA63J-472X	MG RESISTOR	4.7kΩ 1/16W J		R981	NRS181J-222X	MG RESISTOR	2.2kΩ 1/8W J	
R851	NRSA63J-0R0X	MG RESISTOR	0Ω 1/16W J		R982	NRS181J-222X	MG RESISTOR	2.2kΩ 1/8W J	
R852	NRSA63J-103X	MG RESISTOR	10kΩ 1/16W J						
R853	NRSA63J-473X	MG RESISTOR	47kΩ 1/16W J		R983	NRSA63J-472X	MG RESISTOR	4.7kΩ 1/16W J	A,J,U UN,U T
R855	NRSA63J-0R0X	MG RESISTOR	0Ω 1/16W J						
R856	NRSA63J-103X	MG RESISTOR	10kΩ 1/16W J		R991	NRSA63J-103X	MG RESISTOR	10kΩ 1/16W J	
R857	NRSA63J-0R0X	MG RESISTOR	0Ω 1/16W J		R992	NRSA63J-101X	MG RESISTOR	100Ω 1/16W J	
R858	NRSA63J-0R0X	MG RESISTOR	0Ω 1/16W J		R993	NRSA63J-392X	MG RESISTOR	3.9kΩ 1/16W J	
R859	NRSA63J-104X	MG RESISTOR	100kΩ 1/16W J		R994	NRSA63J-392X	MG RESISTOR	3.9kΩ 1/16W J	
R861	NRSA63J-220X	MG RESISTOR	22Ω 1/16W J		R995	NRSA63J-392X	MG RESISTOR	3.9kΩ 1/16W J	
R862	NRSA63J-220X	MG RESISTOR	22Ω 1/16W J		R996	NRSA63J-392X	MG RESISTOR	3.9kΩ 1/16W J	
R863	NRSA63J-471X	MG RESISTOR	470Ω 1/16W J		R9001	NRSA63J-221X	MG RESISTOR	220Ω 1/16W J	
R871	NRSA63J-0R0X	MG RESISTOR	0Ω 1/16W J	E,J	R9011	NRSA63J-0R0X	MG RESISTOR	0Ω 1/16W J	
R872	NRSA63J-271X	MG RESISTOR	270Ω 1/16W J	E,J	R9012	NRSA63J-0R0X	MG RESISTOR	0Ω 1/16W J	
R881	NRSA63J-102X	MG RESISTOR	1kΩ 1/16W J		R9013	NRSA63J-0R0X	MG RESISTOR	0Ω 1/16W J	
R891	NRSA63J-822X	MG RESISTOR	8.2kΩ 1/16W J		RA721	NRZ0065-222X	NET RESISTOR	2.2kΩ	
R892	NRSA63J-392X	MG RESISTOR	3.9kΩ 1/16W J		RA722	NRZ0065-222X	NET RESISTOR	2.2kΩ	
R893	NRSA63J-222X	MG RESISTOR	2.2kΩ 1/16W J		VR811	QVP0033-331Z	TRIM RESISTOR	330Ω	
R894	NRSA63J-152X	MG RESISTOR	1.5kΩ 1/16W J						
R895	NRSA63J-122X	MG RESISTOR	1.2kΩ 1/16W J		L1	NQL334J-4R7X	COIL	4.7uH J	
R901	QRE142J-102X	C RESISTOR	1kΩ 1/4W J		L101	NQR0022-005X	FERRITE BEADS		
R902	NRSA63J-912X	MG RESISTOR	9.1kΩ 1/16W J		L201	NQR0022-005X	FERRITE BEADS		
R903	NRSA63J-472X	MG RESISTOR	4.7kΩ 1/16W J		L301	NQR0022-005X	FERRITE BEADS		
R913	NRSA63J-0R0X	MG RESISTOR	0Ω 1/16W J		L701	NQL79GM-470X	COIL	47uH M	
R914	NRSA63J-2R2X	MG RESISTOR	2.2Ω 1/16W J		L702	NQL79GM-100X	COIL	10uH M	
R915	NRSA63J-0R0X	MG RESISTOR	0Ω 1/16W J		L811	NQLZ007-151X	COIL	150uH	
R920	NRSA63J-682X	MG RESISTOR	6.8kΩ 1/16W J		L821	QQR0621-001Z	FERRITE BEADS		
R921	NRSA63J-0R0X	MG RESISTOR	0Ω 1/16W J		L822	NQL63EM-470X	COIL	47uH M	
R922	NRSA63J-181X	MG RESISTOR	180Ω 1/16W J		L824	NQL79GM-220X	COIL	22uH M	
R923	NRSA63J-105X	MG RESISTOR	1MΩ 1/16W J		L825	NQL79GM-220X	COIL	22uH M	
R924	NRSA63J-100X	MG RESISTOR	10Ω 1/16W J		L826	NQL79GM-220X	COIL	22uH M	
R925	NRSA63J-102X	MG RESISTOR	1kΩ 1/16W J		L827	NQL79GM-220X	COIL	22uH M	
R926	NRSA63J-151X	MG RESISTOR	150Ω 1/16W J		L828	NQL79GM-220X	COIL	22uH M	
R927	NRSA63J-0R0X	MG RESISTOR	0Ω 1/16W J		L921	NQL79GM-470X	COIL	47uH M	
R928	NRSA63J-105X	MG RESISTOR	1MΩ 1/16W J		L931	NQL79GM-470X	COIL	47uH M	
R929	NRSA63J-105X	MG RESISTOR	1MΩ 1/16W J		L961	NQL76EM-220X	COIL	22uH M	
R931	NRSA63J-0R0X	MG RESISTOR	0Ω 1/16W J		L962	NQL79GM-4R7X	COIL	4.7uH M	
R932	NRSA63J-750X	MG RESISTOR	75Ω 1/16W J						
R933	NRSA63J-105X	MG RESISTOR	1MΩ 1/16W J		BZ951	QAN0023-001Z	BUZZER		
R934	NRSA63J-100X	MG RESISTOR	10Ω 1/16W J		CN301	QGA2501C3-04Z	CONNECTOR	W-B (1-4)	
R935	NRSA63J-102X	MG RESISTOR	1kΩ 1/16W J		CN311	QGA2501C1-06	CONNECTOR	W-B (1-6)	
R936	NRSA63J-750X	MG RESISTOR	75Ω 1/16W J		CN361	QGA2501C1-07	CONNECTOR	W-B (1-7)	

△ Symbol No.	Part No.	Part Name	Description	Local	△ Symbol No.	Part No.	Part Name	Description	Local
CN860	QNZ0095-001	CONNECTOR							
CN861	QGA2001C1-02	CONNECTOR	W-B (1-2)		D401	NECBB205/WQR/-X	E CAPACITOR	#NCVpF 0	
CN871	QGA2501C1-02	CONNECTOR	W-B (1-2)	E,J	D402	NECBB205/WQR/-X	E CAPACITOR	#NCVpF 0	
CN881	QGA2501C1-02	CONNECTOR	W-B (1-2)		D403	NECBB205/WQR/-X	E CAPACITOR	#NCVpF 0	
CN891	QGF0523F1-07W	CONNECTOR	FFC/FPC (1-7)		D404	NECBB205/WQR/-X	E CAPACITOR	#NCVpF 0	
CN901	QNZ0607-001	CAR CONNECTOR			D405	NECBB205/WQR/-X	E CAPACITOR	#NCVpF 0	
CN931	QGA2501C1-04	CONNECTOR	W-B (1-4)		D406	NECBB205/WQR/-X	E CAPACITOR	#NCVpF 0	
CN961	QGB2027M5-30S	CONNECTOR	B-B (1-30)		D407	NECBB205/WQR/-X	E CAPACITOR	#NCVpF 0	
CN962	QGF1041C1-20W	CONNECTOR	FFC/FPC (1-20)		D408	NECBB205/WQR/-X	E CAPACITOR	#NCVpF 0	
CN965	QGF0523F1-45W	CONNECTOR	FFC/FPC (1-45)		D409	SML310BA1T/HJ-X	LED		
CN966	QGB2027L8-30X	CONNECTOR	B-B (1-30)		D410	SML310BA1T/HJ-X	LED		
K871	NQR0022-005X	FERRITE BEADS		E,J	D411	SML310BA1T/HJ-X	LED		
K912	NQR0022-005X	FERRITE BEADS			D412	SML310BA1T/HJ-X	LED		
K913	NQR0022-005X	FERRITE BEADS			D413	SML310BA1T/HJ-X	LED		
K921	NQR0201-004X	FERRITE BEADS			D414	SML-310LT/MN/-X	LED		
K931	NQR0201-004X	FERRITE BEADS			D415	MC2838-X	DIODE		
K932	NQR0201-004X	FERRITE BEADS			D501	1SS355-X	SI DIODE		
PP1	QZW0010-001	STYLE PIN			D502	MC2836-X	DIODE		
PP6	QZW0010-001	STYLE PIN			D582	UDZS5.6B-X	Z DIODE	1.5kΩ 1/10W J	
PP7	QZW0010-001	STYLE PIN			D583	UDZS5.6B-X	Z DIODE	1.5kΩ 1/10W J	
PP8	QZW0010-001	STYLE PIN			D584	UDZS5.6B-X	Z DIODE	1.5kΩ 1/10W J	
PP10	QZW0010-001	STYLE PIN			D585	UDZS5.6B-X	Z DIODE	1.5kΩ 1/10W J	
PP11	QZW0010-001	STYLE PIN			D586	UDZS5.6B-X	Z DIODE	1.5kΩ 1/10W J	
PP12	QZW0010-001	STYLE PIN			D587	UDZS5.6B-X	Z DIODE	1.5kΩ 1/10W J	
PP13	QZW0010-001	STYLE PIN			D588	UDZS5.6B-X	Z DIODE	1.5kΩ 1/10W J	
TH721	NAD0028-103X	N THERMISTOR	10kΩ		D4001	UDZS5.6B-X	Z DIODE	1.5kΩ 1/10W J	
△ TU1	QAU0404-001	TUNER		E	D6652	UDZS8.2B-X	Z DIODE		
△ TU1	QAU0403-001	TUNER		A,J,U, UN,U T	D6653	RB160M-30-X	SB DIODE		
W1	QAM0556-001	ANT CABLE			D6701	1SS355-X	SI DIODE		
X31	QAX0263-001Z	CRYSTAL	4.332MHz	E	D6702	1SS355-X	SI DIODE		
X701	QAX0617-001Z	CRYSTAL	12.500MHz		D6901	MA2SV03-X	VARI CAP DIODE		
X702	QAX0401-001	CRYSTAL	32.768KHz						

Panel board

Block No. [0][2]

△ Symbol No.	Part No.	Part Name	Description	Local	△ Symbol No.	Part No.	Part Name	Description	Local
IC471	CXA3657R	IC			C471	NCB31CK-104X	C CAPACITOR	0.1uF 16V K	
IC501	S-80824CNB-G-W	IC			C472	NCB31CK-103X	C CAPACITOR	0.01uF 16V K	
△ IC511	MN103S77NDX	IC			C473	NBE21AM-106X	TA E CAPACITOR	10uF 10V M	
IC521	BR24L04F-W-X	IC			C474	NCB31CK-104X	C CAPACITOR	0.1uF 16V K	
IC581	MR27T1602F22NNX	IC(MICRO C ROM)			C475	NCB31CK-104X	C CAPACITOR	0.1uF 16V K	
IC585	GP1UX511RK	RM.RECEIVER			C476	NCB31CK-104X	C CAPACITOR	0.1uF 16V K	
△ IC601	MB87P2040PMT	IC(DIGITAL)			C477	NCB31AK-474X	C CAPACITOR	0.47uF 10V K	
IC645	NJM2286V-W	IC			C478	NCB20JM-475X	C CAPACITOR	4.7uF 6.3V M	
IC646	SN74LV4053APW-X	IC			C479	NCB20JM-475X	C CAPACITOR	4.7uF 6.3V M	
△ IC651	AN2546FH-AV	IC			C480	NCB31CK-105X	C CAPACITOR	1uF 16V K	
IC661	NJM2871BF25-X	IC			C481	NCB20JM-475X	C CAPACITOR	4.7uF 6.3V M	
IC671	NJM2871BF05-X	IV			C482	NCB31CK-104X	C CAPACITOR	0.1uF 16V K	
Q401	2SA1530A/QR/-X	TRANSISTOR			C483	NCB31CK-104X	C CAPACITOR	0.1uF 16V K	
Q402	2SA1530A/QR/-X	TRANSISTOR			C484	NCB31CK-103X	C CAPACITOR	0.01uF 16V K	
Q403	RT1N141C-X	TRANSISTOR			C485	NBE21AM-106X	TA E CAPACITOR	10uF 10V M	
Q404	RT1N141C-X	TRANSISTOR			C486	NCB31CK-104X	C CAPACITOR	0.1uF 16V K	
Q405	2SC3928A/QR/-X	TRANSISTOR			C487	NCB31CK-104X	C CAPACITOR	0.1uF 16V K	
Q406	RT1P141C-X	TRANSISTOR			C488	NCB31CK-104X	C CAPACITOR	0.1uF 16V K	
Q451	2SA1530A/QR/-X	TRANSISTOR			C489	NCB31CK-223X	C CAPACITOR	0.022uF 16V K	
Q452	2SA1530A/QR/-X	TRANSISTOR			C490	NBE21AM-335X	TA E CAPACITOR	3.3uF 10V M	
Q453	2SA1530A/QR/-X	TRANSISTOR			C491	NCB31HK-682X	C CAPACITOR	6800pF 50V K	
Q501	2SC3928A/QR/-X	TRANSISTOR			C492	NBE21AM-106X	TA E CAPACITOR	10uF 10V M	
Q651	2SC3928A/QR/-X	TRANSISTOR			C493	NCB31CK-103X	C CAPACITOR	0.01uF 16V K	
Q652	2SC3928A/QR/-X	TRANSISTOR			C494	NCB31CK-104X	C CAPACITOR	0.1uF 16V K	
Q654	2SC3928A/QR/-X	TRANSISTOR			C501	NCB31CK-473X	C CAPACITOR	0.047uF 16V K	
Q655	2SC3928A/QR/-X	TRANSISTOR			C502	NBE21AM-106X	TA E CAPACITOR	10uF 10V M	
Q656	2SC3928A/QR/-X	TRANSISTOR			C503	NCB31CK-473X	C CAPACITOR	0.047uF 16V K	
Q691	2SA1530A/QR/-X	TRANSISTOR			C504	NBE20JM-475X	TA E CAPACITOR	4.7uF 6.3V M	
Q692	2SA1530A/QR/-X	TRANSISTOR			C505	NCB31CK-103X	C CAPACITOR	0.01uF 16V K	
Q693	2SA1530A/QR/-X	TRANSISTOR			C506	NCB31CK-103X	C CAPACITOR	0.01uF 16V K	
Q6601	2SA1530A/QR/-X	TRANSISTOR			C507	NCB31CK-103X	C CAPACITOR	0.01uF 16V K	
Q6602	2SC3928A/QR/-X	TRANSISTOR			C508	NCB31CK-105X	C CAPACITOR	1uF 16V K	
Q6603	2SA1530A/QR/-X	TRANSISTOR			C509	NCB31CK-103X	C CAPACITOR	0.01uF 16V K	
Q6651	2SC3928A/QR/-X	TRANSISTOR			C510	NCB31CK-103X	C CAPACITOR	0.01uF 16V K	
					C511	NCB31CK-103X	C CAPACITOR	0.01uF 16V K	
					C512	NCB31CK-103X	C CAPACITOR	0.01uF 16V K	
					C521	NDC31HJ-471X	C CAPACITOR	470pF 50V J	
					C581	NDC31HJ-471X	C CAPACITOR	470pF 50V J	
					C582	NCB31CK-473X	C CAPACITOR	0.047uF 16V K	
					C583	NBE21AM-106X	TA E CAPACITOR	10uF 10V M	
					C586	NBE21AM-475X	TA E CAPACITOR	4.7uF 10V M	
					C601	NCB21AK-225X	C CAPACITOR	2.2uF 10V K	
					C604	NCB21AK-225X	C CAPACITOR	2.2uF 10V K	
					C605	NBE21AM-226X	TA E CAPACITOR	22uF 10V M	
					C606	NCB21AK-225X	C CAPACITOR	2.2uF 10V K	
					C607	NCB31CK-104X	C CAPACITOR	0.1uF 16V K	

△ Symbol No.	Part No.	Part Name	Description	Local	△ Symbol No.	Part No.	Part Name	Description	Local
C609	NCB31CK-103X	C CAPACITOR	0.01uF 16V K		C4001	NCB31CK-473X	C CAPACITOR	0.047uF 16V K	
C611	NDC31HJ-120X	C CAPACITOR	12pF 50V J		C4002	NCB31CK-103X	C CAPACITOR	0.01uF 16V K	
C612	NDC31HJ-120X	C CAPACITOR	12pF 50V J		C4003	NCB31CK-105X	C CAPACITOR	1uF 16V K	
C613	NCB31CK-103X	C CAPACITOR	0.01uF 16V K		C4004	NCB31HK-102X	C CAPACITOR	1000pF 50V K	
C614	NCB31CK-103X	C CAPACITOR	0.01uF 16V K		C4006	NCB31HK-102X	C CAPACITOR	1000pF 50V K	
C615	NDC31HJ-101X	C CAPACITOR	100pF 50V J		C4007	NCB31CK-105X	C CAPACITOR	1uF 16V K	
C616	NBE21AM-106X	TA E CAPACITOR	10uF 10V M		C6601	NCB31CK-103X	C CAPACITOR	0.01uF 16V K	
C617	NCB31CK-103X	C CAPACITOR	0.01uF 16V K		C6602	NBE21AM-106X	TA E CAPACITOR	10uF 10V M	
C618	NCB31CK-103X	C CAPACITOR	0.01uF 16V K		C6603	NCB31CK-103X	C CAPACITOR	0.01uF 16V K	
C619	NCB31CK-103X	C CAPACITOR	0.01uF 16V K		C6604	NBE21AM-226X	TA E CAPACITOR	22uF 10V M	
C620	NCB31CK-103X	C CAPACITOR	0.01uF 16V K		C6605	NCB31CK-103X	C CAPACITOR	0.01uF 16V K	
C621	NCB31CK-103X	C CAPACITOR	0.01uF 16V K		C6606	NCB31CK-223X	C CAPACITOR	0.022uF 16V K	
C622	NCB31CK-103X	C CAPACITOR	0.01uF 16V K		C6651	NBE41CM-226X	TA E CAPACITOR	22uF 16V M	
C623	NBE21AM-106X	TA E CAPACITOR	10uF 10V M		C6652	NCB21CK-105X	C CAPACITOR	1uF 16V K	
C624	NCB31CK-103X	C CAPACITOR	0.01uF 16V K		C6701	NCB31CK-103X	C CAPACITOR	0.01uF 16V K	
C625	NCB31CK-103X	C CAPACITOR	0.01uF 16V K		C6702	NCB31CK-105X	C CAPACITOR	1uF 16V K	
C626	NBE21AM-106X	TA E CAPACITOR	10uF 10V M		C6703	NCB31CK-103X	C CAPACITOR	0.01uF 16V K	
C630	NCB31CK-103X	C CAPACITOR	0.01uF 16V K		C6704	NBE21AM-226X	TA E CAPACITOR	22uF 10V M	
C631	NCB31CK-103X	C CAPACITOR	0.01uF 16V K		C6705	NCB31CK-103X	C CAPACITOR	0.01uF 16V K	
C633	NCB31CK-103X	C CAPACITOR	0.01uF 16V K		C6901	NCB31CK-104X	C CAPACITOR	0.1uF 16V K	
C635	NCB31CK-103X	C CAPACITOR	0.01uF 16V K		C6902	NCB31CK-104X	C CAPACITOR	0.1uF 16V K	
C636	NCB31CK-104X	C CAPACITOR	0.1uF 16V K						
C637	NCB31CK-103X	C CAPACITOR	0.01uF 16V K		R401	NRSA63J-102X	MG RESISTOR	1kΩ 1/16W J	
C638	NCB31CK-104X	C CAPACITOR	0.1uF 16V K		R402	NRSA63J-122X	MG RESISTOR	1.2kΩ 1/16W J	
C639	NCB31CK-103X	C CAPACITOR	0.01uF 16V K		R404	NRSA63J-222X	MG RESISTOR	2.2kΩ 1/16W J	
C645	NCB31CK-103X	C CAPACITOR	0.01uF 16V K		R405	NRSA63J-222X	MG RESISTOR	2.2kΩ 1/16W J	
C647	NCB31CK-103X	C CAPACITOR	0.01uF 16V K		R406	NRSA63J-102X	MG RESISTOR	1kΩ 1/16W J	
C649	NDC31HJ-390X	C CAPACITOR	39pF 50V J		R407	NRSA63J-122X	MG RESISTOR	1.2kΩ 1/16W J	
C650	NDC31HJ-390X	C CAPACITOR	39pF 50V J		R409	NRSA63J-222X	MG RESISTOR	2.2kΩ 1/16W J	
C651	NBE21AM-106X	TA E CAPACITOR	10uF 10V M		R410	NRSA63J-222X	MG RESISTOR	2.2kΩ 1/16W J	
C652	NDC31HJ-101X	C CAPACITOR	100pF 50V J		R411	NRSA63J-682X	MG RESISTOR	6.8kΩ 1/16W J	
C653	NCB31CK-103X	C CAPACITOR	0.01uF 16V K		R412	NRSA63J-682X	MG RESISTOR	6.8kΩ 1/16W J	
C654	NBE21AM-226X	TA E CAPACITOR	22uF 10V M		R414	NRSA63J-222X	MG RESISTOR	2.2kΩ 1/16W J	
C655	NBE21AM-226X	TA E CAPACITOR	22uF 10V M		R415	NRSA63J-222X	MG RESISTOR	2.2kΩ 1/16W J	
C656	NCB31CK-105X	C CAPACITOR	1uF 16V K		R416	NRSA63J-471X	MG RESISTOR	470Ω 1/16W J	
C657	NCB31CK-105X	C CAPACITOR	1uF 16V K		R417	NRSA63J-561X	MG RESISTOR	560Ω 1/16W J	
C658	NCB31CK-105X	C CAPACITOR	1uF 16V K		R419	NRSA63J-122X	MG RESISTOR	1.2kΩ 1/16W J	
C659	NDC31HJ-101X	C CAPACITOR	100pF 50V J		R420	NRSA63J-102X	MG RESISTOR	1kΩ 1/16W J	
C660	NCB31CK-103X	C CAPACITOR	0.01uF 16V K		R421	NRSA63J-332X	MG RESISTOR	3.3kΩ 1/16W J	
C661	NBE51CM-476X	TA E CAPACITOR	47uF 16V M		R422	NRSA63J-332X	MG RESISTOR	3.3kΩ 1/16W J	
C662	NDC31HJ-680X	C CAPACITOR	68pF 50V J		R425	NRSA63J-102X	MG RESISTOR	1kΩ 1/16W J	
C663	NBE21AM-106X	TA E CAPACITOR	10uF 10V M		R426	NRSA63J-122X	MG RESISTOR	1.2kΩ 1/16W J	
C664	NDC31HJ-680X	C CAPACITOR	68pF 50V J		R429	NRSA63J-122X	MG RESISTOR	1.2kΩ 1/16W J	
C665	NBE21AM-106X	TA E CAPACITOR	10uF 10V M		R430	NRSA63J-122X	MG RESISTOR	1.2kΩ 1/16W J	
C666	NCB31CK-103X	C CAPACITOR	0.01uF 16V K		R432	NRSA63J-471X	MG RESISTOR	470Ω 1/16W J	
C667	NDC31HJ-680X	C CAPACITOR	68pF 50V J		R433	NRSA63J-561X	MG RESISTOR	560Ω 1/16W J	
C668	NBE21AM-106X	TA E CAPACITOR	10uF 10V M		R434	NRSA63J-122X	MG RESISTOR	1.2kΩ 1/16W J	
C669	NBE20JM-476X	TA E CAPACITOR	47uF 6.3V M		R435	NRSA63J-122X	MG RESISTOR	1.2kΩ 1/16W J	
C670	NCB31CK-103X	C CAPACITOR	0.01uF 16V K		R437	NRSA63J-471X	MG RESISTOR	470Ω 1/16W J	
C671	NDC31HJ-101X	C CAPACITOR	100pF 50V J		R438	NRSA63J-561X	MG RESISTOR	560Ω 1/16W J	
C672	NCB31HK-102X	C CAPACITOR	1000pF 50V K		R439	NRSA63J-562X	MG RESISTOR	5.6kΩ 1/16W J	
C673	NCB31HK-471X	C CAPACITOR	470pF 50V K		R444	NRSA63J-272X	MG RESISTOR	2.7kΩ 1/16W J	
C674	NCB31CK-221X	C CAPACITOR	220pF 16V K		R445	NRSA63J-332X	MG RESISTOR	3.3kΩ 1/16W J	
C675	NCB31CK-223X	C CAPACITOR	0.022uF 16V K		R446	NRSA63J-102X	MG RESISTOR	1kΩ 1/16W J	
C676	NBE20JM-226X	TA E CAPACITOR	22uF 6.3V M		R447	NRSA63J-102X	MG RESISTOR	1kΩ 1/16W J	
C677	NCB31CK-223X	C CAPACITOR	0.022uF 16V K		R448	NRSA63J-562X	MG RESISTOR	5.6kΩ 1/16W J	
C678	NCB21CK-474X	C CAPACITOR	0.47uF 16V K		R449	NRSA63J-473X	MG RESISTOR	47kΩ 1/16W J	
C679	NCB31CK-103X	C CAPACITOR	0.01uF 16V K		R451	NRSA63J-152X	MG RESISTOR	1.5kΩ 1/16W J	
C680	NCB31HK-152X	C CAPACITOR	1500pF 50V K		R452	NRSA63J-301X	MG RESISTOR	300Ω 1/16W J	
C681	NBE20JM-475X	TA E CAPACITOR	4.7uF 6.3V M		R453	NRSA63J-271X	MG RESISTOR	270Ω 1/16W J	
C682	NCB21AK-225X	C CAPACITOR	2.2uF 10V K		R454	NRSA63J-391X	MG RESISTOR	390Ω 1/16W J	
C683	NBE20JM-475X	TA E CAPACITOR	4.7uF 6.3V M		R455	NRSA63J-561X	MG RESISTOR	560Ω 1/16W J	
C684	NDC31HJ-120X	C CAPACITOR	12pF 50V J		R456	NRSA63J-473X	MG RESISTOR	47kΩ 1/16W J	
C685	NDC31HJ-270X	C CAPACITOR	27pF 50V J		R457	NRSA63J-152X	MG RESISTOR	1.5kΩ 1/16W J	
C686	NCB31CK-104X	C CAPACITOR	0.1uF 16V K		R458	NRSA63J-301X	MG RESISTOR	300Ω 1/16W J	
C687	NCB31CK-104X	C CAPACITOR	0.1uF 16V K		R459	NRSA63J-271X	MG RESISTOR	270Ω 1/16W J	
C688	NCB31CK-104X	C CAPACITOR	0.1uF 16V K		R460	NRSA63J-391X	MG RESISTOR	390Ω 1/16W J	
C689	NCB31CK-103X	C CAPACITOR	0.01uF 16V K		R461	NRSA63J-473X	MG RESISTOR	47kΩ 1/16W J	
C690	NCB31CK-104X	C CAPACITOR	0.1uF 16V K		R462	NRSA63J-152X	MG RESISTOR	1.5kΩ 1/16W J	
C691	NCB31CK-223X	C CAPACITOR	0.022uF 16V K		R463	NRSA63J-301X	MG RESISTOR	300Ω 1/16W J	
C692	NCB31CK-105X	C CAPACITOR	1uF 16V K		R464	NRSA63J-271X	MG RESISTOR	270Ω 1/16W J	
C693	NDC31HJ-8R0X	C CAPACITOR	8pF 50V J		R465	NRSA63J-391X	MG RESISTOR	390Ω 1/16W J	
C694	NDC31HJ-2R0X	C CAPACITOR	2pF 50V J		R466	NRSA63J-561X	MG RESISTOR	560Ω 1/16W J	
C695	NCB21CK-105X	C CAPACITOR	1uF 16V K		R467	NRSA63J-473X	MG RESISTOR	47kΩ 1/16W J	
C696	NCB21CK-105X	C CAPACITOR	1uF 16V K		R468	NRSA63J-474X	MG RESISTOR	470kΩ 1/16W J	
C697	NCB21CK-105X	C CAPACITOR	1uF 16V K		R469	NRSA63J-473X	MG RESISTOR	47kΩ 1/16W J	
C698	NCB31CK-105X	C CAPACITOR	1uF 16V K		R470	NRSA63J-394X	MG RESISTOR	390kΩ 1/16W J	
C699	NDC31HJ-390X	C CAPACITOR	39pF 50V J		R471	NRSA63J-0R0X	MG RESISTOR	0Ω 1/16W J	

△ Symbol No.	Part No.	Part Name	Description	Local	△ Symbol No.	Part No.	Part Name	Description	Local
R472	NRSA63J-0R0X	MG RESISTOR	0Ω 1/16W J		R601	NRSA63J-121X	MG RESISTOR	120Ω 1/16W J	
R473	NRSA63J-0R0X	MG RESISTOR	0Ω 1/16W J		R602	NRSA63J-121X	MG RESISTOR	120Ω 1/16W J	
R474	NRSA63J-0R0X	MG RESISTOR	0Ω 1/16W J		R603	NRSA63J-121X	MG RESISTOR	120Ω 1/16W J	
R475	NRSA63J-0R0X	MG RESISTOR	0Ω 1/16W J		R604	NRSA63J-220X	MG RESISTOR	22Ω 1/16W J	
R476	NRSA63J-0R0X	MG RESISTOR	0Ω 1/16W J		R605	NRSA63J-220X	MG RESISTOR	22Ω 1/16W J	
R477	NRSA63J-0R0X	MG RESISTOR	0Ω 1/16W J		R606	NRSA63J-272X	MG RESISTOR	2.7kΩ 1/16W J	
R478	NRSA63J-0R0X	MG RESISTOR	0Ω 1/16W J		R607	NRSA63J-220X	MG RESISTOR	22Ω 1/16W J	
R480	NRSA63J-0R0X	MG RESISTOR	0Ω 1/16W J		R608	NRSA63J-681X	MG RESISTOR	680Ω 1/16W J	
R481	NRSA63J-0R0X	MG RESISTOR	0Ω 1/16W J		R610	NRSA63J-0R0X	MG RESISTOR	0Ω 1/16W J	
R482	NRSA63J-0R0X	MG RESISTOR	0Ω 1/16W J		R611	NRSA63J-0R0X	MG RESISTOR	0Ω 1/16W J	
R483	NRSA63J-0R0X	MG RESISTOR	0Ω 1/16W J		R612	NRSA63J-0R0X	MG RESISTOR	0Ω 1/16W J	
R484	NRSA63J-0R0X	MG RESISTOR	0Ω 1/16W J		R613	NRSA63J-0R0X	MG RESISTOR	0Ω 1/16W J	
R485	NRSA63J-0R0X	MG RESISTOR	0Ω 1/16W J		R614	NRSA63J-0R0X	MG RESISTOR	0Ω 1/16W J	
R486	NRSA63J-101X	MG RESISTOR	100Ω 1/16W J		R615	NRSA63J-0R0X	MG RESISTOR	0Ω 1/16W J	
R487	NRSA63J-101X	MG RESISTOR	100Ω 1/16W J		R616	NRSA63J-103X	MG RESISTOR	10kΩ 1/16W J	
R488	NRSA63J-101X	MG RESISTOR	100Ω 1/16W J		R617	NRSA63J-103X	MG RESISTOR	10kΩ 1/16W J	
R489	NRSA63J-221X	MG RESISTOR	220Ω 1/16W J		R618	NRSA63J-103X	MG RESISTOR	10kΩ 1/16W J	
R490	NRSA63J-221X	MG RESISTOR	220Ω 1/16W J		R619	NRSA63J-103X	MG RESISTOR	10kΩ 1/16W J	
R491	NRSA63J-221X	MG RESISTOR	220Ω 1/16W J		R620	NRSA63J-103X	MG RESISTOR	10kΩ 1/16W J	
R492	NRSA63J-103X	MG RESISTOR	10kΩ 1/16W J		R621	NRSA63J-103X	MG RESISTOR	10kΩ 1/16W J	
R493	NRSA63J-0R0X	MG RESISTOR	0Ω 1/16W J		R622	NRSA63J-103X	MG RESISTOR	10kΩ 1/16W J	
R494	NRSA63J-0R0X	MG RESISTOR	0Ω 1/16W J		R623	NRSA63J-0R0X	MG RESISTOR	0Ω 1/16W J	
R495	NRSA63J-0R0X	MG RESISTOR	0Ω 1/16W J		R624	NRSA63J-0R0X	MG RESISTOR	0Ω 1/16W J	
R501	NRSA63J-473X	MG RESISTOR	47kΩ 1/16W J		R625	NRSA63J-103X	MG RESISTOR	10kΩ 1/16W J	
R502	NRSA63J-474X	MG RESISTOR	470kΩ 1/16W J		R626	NRSA63J-0R0X	MG RESISTOR	0Ω 1/16W J	
R504	NRSA63J-102X	MG RESISTOR	1kΩ 1/16W J		R627	NRSA63J-103X	MG RESISTOR	10kΩ 1/16W J	
R505	NRSA63J-473X	MG RESISTOR	47kΩ 1/16W J		R628	NRSA63J-103X	MG RESISTOR	10kΩ 1/16W J	
R506	NRSA63J-222X	MG RESISTOR	2.2kΩ 1/16W J		R631	NRSA63J-105X	MG RESISTOR	1MΩ 1/16W J	
R507	NRSA63J-102X	MG RESISTOR	1kΩ 1/16W J		R632	NRSA63J-105X	MG RESISTOR	1MΩ 1/16W J	
R512	NRSA63J-102X	MG RESISTOR	1kΩ 1/16W J		R633	NRSA63J-105X	MG RESISTOR	1MΩ 1/16W J	
R513	NRSA63J-102X	MG RESISTOR	1kΩ 1/16W J		R634	NRSA63J-105X	MG RESISTOR	1MΩ 1/16W J	
R514	NRSA63J-102X	MG RESISTOR	1kΩ 1/16W J		R635	NRSA63J-105X	MG RESISTOR	1MΩ 1/16W J	
R515	NRSA63J-102X	MG RESISTOR	1kΩ 1/16W J		R636	NRSA63J-105X	MG RESISTOR	1MΩ 1/16W J	
R516	NRSA63J-102X	MG RESISTOR	1kΩ 1/16W J		R645	NRSA63J-103X	MG RESISTOR	10kΩ 1/16W J	
R517	NRSA63J-102X	MG RESISTOR	1kΩ 1/16W J		R646	NRSA63J-0R0X	MG RESISTOR	0Ω 1/16W J	
R518	NRSA63J-102X	MG RESISTOR	1kΩ 1/16W J		R647	NRSA63J-0R0X	MG RESISTOR	0Ω 1/16W J	
R519	NRSA63J-102X	MG RESISTOR	1kΩ 1/16W J		R649	NRSA63J-102X	MG RESISTOR	1kΩ 1/16W J	
R520	NRSA63J-102X	MG RESISTOR	1kΩ 1/16W J		R651	NRSA63J-0R0X	MG RESISTOR	0Ω 1/16W J	
R521	NRSA63J-102X	MG RESISTOR	1kΩ 1/16W J		R652	NRSA63J-151X	MG RESISTOR	150Ω 1/16W J	
R522	NRSA63J-102X	MG RESISTOR	1kΩ 1/16W J		R653	NRSA63J-333X	MG RESISTOR	33kΩ 1/16W J	
R523	NRSA63J-102X	MG RESISTOR	1kΩ 1/16W J		R654	NRSA63J-153X	MG RESISTOR	15kΩ 1/16W J	
R524	NRSA63J-102X	MG RESISTOR	1kΩ 1/16W J		R655	NRSA63J-334X	MG RESISTOR	330kΩ 1/16W J	
R525	NRSA63J-102X	MG RESISTOR	1kΩ 1/16W J		R656	NRSA63J-102X	MG RESISTOR	1kΩ 1/16W J	
R526	NRSA63J-102X	MG RESISTOR	1kΩ 1/16W J		R660	NRSA63J-103X	MG RESISTOR	10kΩ 1/16W J	
R527	NRSA63J-102X	MG RESISTOR	1kΩ 1/16W J		R661	NRSA63J-103X	MG RESISTOR	10kΩ 1/16W J	
R528	NRSA63J-103X	MG RESISTOR	10kΩ 1/16W J		R662	NRSA63J-122X	MG RESISTOR	1.2kΩ 1/16W J	
R529	NRSA63J-103X	MG RESISTOR	10kΩ 1/16W J		R665	NRSA63J-102X	MG RESISTOR	1kΩ 1/16W J	
R530	NRSA63J-0R0X	MG RESISTOR	0Ω 1/16W J		R666	NRSA63J-102X	MG RESISTOR	1kΩ 1/16W J	
R531	NRSA63J-473X	MG RESISTOR	47kΩ 1/16W J		R667	NRSA63J-102X	MG RESISTOR	1kΩ 1/16W J	
R544	NRSA63J-471X	MG RESISTOR	470Ω 1/16W J		R669	NRSA63J-104X	MG RESISTOR	100kΩ 1/16W J	
R545	NRSA63J-471X	MG RESISTOR	470Ω 1/16W J		R670	NRSA63J-104X	MG RESISTOR	100kΩ 1/16W J	
R546	NRSA63J-471X	MG RESISTOR	470Ω 1/16W J		R671	NRSA63J-334X	MG RESISTOR	330kΩ 1/16W J	
R547	NRSA63J-0R0X	MG RESISTOR	0Ω 1/16W J		R672	NRSA63J-184X	MG RESISTOR	180kΩ 1/16W J	
R548	NRSA63J-102X	MG RESISTOR	1kΩ 1/16W J		R673	NRSA63J-0R0X	MG RESISTOR	0Ω 1/16W J	
R549	NRSA63J-102X	MG RESISTOR	1kΩ 1/16W J		R674	NRSA63J-105X	MG RESISTOR	1MΩ 1/16W J	
R550	NRSA63J-102X	MG RESISTOR	1kΩ 1/16W J		R675	NRSA63J-332X	MG RESISTOR	3.3kΩ 1/16W J	
R551	NRSA63J-102X	MG RESISTOR	1kΩ 1/16W J		R676	NRSA63J-103X	MG RESISTOR	10kΩ 1/16W J	
R556	NRSA63J-102X	MG RESISTOR	1kΩ 1/16W J		R678	NRSA63J-331X	MG RESISTOR	330Ω 1/16W J	
R573	NRSA63J-102X	MG RESISTOR	1kΩ 1/16W J		R679	NRSA63J-683X	MG RESISTOR	68kΩ 1/16W J	
R574	NRSA63J-102X	MG RESISTOR	1kΩ 1/16W J		R680	NRSA63J-222X	MG RESISTOR	2.2kΩ 1/16W J	
R575	NRSA63J-102X	MG RESISTOR	1kΩ 1/16W J		R682	NRSA63J-272X	MG RESISTOR	2.7kΩ 1/16W J	
R576	NRSA63J-102X	MG RESISTOR	1kΩ 1/16W J		R684	NRSA63J-512X	MG RESISTOR	5.1kΩ 1/16W J	
R577	NRSA63J-102X	MG RESISTOR	1kΩ 1/16W J		R685	NRSA63J-103X	MG RESISTOR	10kΩ 1/16W J	
R578	NRSA63J-102X	MG RESISTOR	1kΩ 1/16W J		R686	NRSA63J-122X	MG RESISTOR	1.2kΩ 1/16W J	
R579	NRSA63J-271X	MG RESISTOR	270Ω 1/16W J		R687	NRSA63J-122X	MG RESISTOR	1.2kΩ 1/16W J	
R580	NRSA63J-271X	MG RESISTOR	270Ω 1/16W J		R691	NRSA63J-472X	MG RESISTOR	4.7kΩ 1/16W J	
R581	NRSA63J-102X	MG RESISTOR	1kΩ 1/16W J		R692	NRSA63J-472X	MG RESISTOR	4.7kΩ 1/16W J	
R584	NRSA63J-103X	MG RESISTOR	10kΩ 1/16W J		R693	NRSA63J-472X	MG RESISTOR	4.7kΩ 1/16W J	
R585	NRSA63J-0R0X	MG RESISTOR	0Ω 1/16W J		R694	NRSA63J-0R0X	MG RESISTOR	0Ω 1/16W J	
R587	NRSA63J-470X	MG RESISTOR	47Ω 1/16W J		R4001	NRSA63J-105X	MG RESISTOR	1MΩ 1/16W J	
R588	NRSA63J-0R0X	MG RESISTOR	0Ω 1/16W J		R4005	NRSA63J-152X	MG RESISTOR	1.5kΩ 1/16W J	
R591	NRSA63J-562X	MG RESISTOR	5.6kΩ 1/16W J		R6601	NRSA63J-223X	MG RESISTOR	22kΩ 1/16W J	
R593	NRSA63J-473X	MG RESISTOR	47kΩ 1/16W J		R6602	NRSA63J-103X	MG RESISTOR	10kΩ 1/16W J	
R594	NRSA63J-562X	MG RESISTOR	5.6kΩ 1/16W J		R6603	NRSA63J-102X	MG RESISTOR	1kΩ 1/16W J	
R596	NRSA63J-473X	MG RESISTOR	47kΩ 1/16W J		R6604	NRSA63J-473X	MG RESISTOR	47kΩ 1/16W J	
R597	NRSA63J-0R0X	MG RESISTOR	0Ω 1/16W J		R6605	NRSA63J-473X	MG RESISTOR	47kΩ 1/16W J	
R598	NRSA63J-0R0X	MG RESISTOR	0Ω 1/16W J		R6606	NRSA63J-103X	MG RESISTOR	10kΩ 1/16W J	
R599	NRSA63J-0R0X	MG RESISTOR	0Ω 1/16W J		R6651	NRSA63J-100X	MG RESISTOR	10Ω 1/16W J	

△ Symbol No.	Part No.	Part Name	Description	Local
R6652	NRSA63J-471X	MG RESISTOR	470Ω 1/16W J	
R6653	NRSA63J-0R0X	MG RESISTOR	0Ω 1/16W J	
R6901	NRSA63J-473X	MG RESISTOR	47kΩ 1/16W J	
R6902	NRSA63J-473X	MG RESISTOR	47kΩ 1/16W J	
RA511	NRZ0065-102X	NET RESISTOR	1kΩ	
RA512	NRZ0065-102X	NET RESISTOR	1kΩ	
RA513	NRZ0065-102X	NET RESISTOR	1kΩ	
RA514	NRZ0065-102X	NET RESISTOR	1kΩ	
RA515	NRZ0065-102X	NET RESISTOR	1kΩ	
RA516	NRZ0065-102X	NET RESISTOR	1kΩ	
RA517	NRZ0065-102X	NET RESISTOR	1kΩ	
RA518	NRZ0065-102X	NET RESISTOR	1kΩ	
RA519	NRZ0065-102X	NET RESISTOR	1kΩ	
L471	NQL79GM-220X	COIL	22uH M	
L472	NQL79GM-220X	COIL	22uH M	
L473	NQL79GM-220X	COIL	22uH M	
L501	NQL79GM-100X	COIL	10uH M	
L601	NQR0022-005X	FERRITE BEADS		
L602	NQL79GM-100X	COIL	10uH M	
L603	NQL79GM-100X	COIL	10uH M	
L651	NQL79GM-220X	COIL	22uH M	
L652	NQL79GM-220X	COIL	22uH M	
L653	NQL79GM-100X	COIL	10uH M	
L655	NQL79GM-470X	COIL	47uH M	
L656	NQL79GM-220X	COIL	22uH M	
L657	NQL79GM-470X	COIL	47uH M	
L658	NQL79GM-470X	COIL	47uH M	
L659	NQL79GM-470X	COIL	47uH M	
L4001	NRSA63J-1R0X	MG RESISTOR	1Ω 1/16W J	
CN401	QGF0523F1-24W	CONNECTOR	FFC/FPC (1-24)	
CN411	QGF0523F1-06W	CONNECTOR	FFC/FPC (1-6)	
CN521	QGF0522F1-07W	CONNECTOR	FFC/FPC (1-7)	
CN581	QGZ2203M1-20X	CONNECTOR	(1-20)	
CN582	QGF0523F1-30W	CONNECTOR	FFC/FPC (1-30)	
CN583	QGF0523F1-30W	CONNECTOR	FFC/FPC (1-30)	
K581	NRSA63J-0R0X	MG RESISTOR	0Ω 1/16W J	
K582	NRSA63J-561X	MG RESISTOR	560Ω 1/16W J	
K583	NRSA63J-561X	MG RESISTOR	560Ω 1/16W J	
K584	NRSA63J-0R0X	MG RESISTOR	0Ω 1/16W J	
K585	NRSA63J-0R0X	MG RESISTOR	0Ω 1/16W J	
K586	NRSA63J-0R0X	MG RESISTOR	0Ω 1/16W J	
K587	NRSA63J-561X	MG RESISTOR	560Ω 1/16W J	
K588	NRSA63J-561X	MG RESISTOR	560Ω 1/16W J	
K589	NRSA63J-561X	MG RESISTOR	560Ω 1/16W J	
K590	NRSA63J-561X	MG RESISTOR	560Ω 1/16W J	
K601	NQR0022-005X	FERRITE BEADS		
K602	NQR0022-005X	FERRITE BEADS		
K603	NQR0022-005X	FERRITE BEADS		
K604	NQR0022-005X	FERRITE BEADS		
K605	NQR0022-005X	FERRITE BEADS		
S451	NSW0246-001X	TACT SW		
S452	NSW0246-001X	TACT SW		
S453	NSW0246-001X	TACT SW		
S454	NSW0124-001X	TACT SW		
S455	NSW0246-001X	TACT SW		
S456	NSW0246-001X	TACT SW		
S457	NSW0246-001X	TACT SW		
S458	NSW0246-001X	TACT SW		
S459	NSW0246-001X	TACT SW		
S460	NSW0246-001X	TACT SW		
S461	NSW0124-001X	TACT SW		
S462	NSW0124-001X	TACT SW		
S463	NSW0246-001X	TACT SW		
S464	NSW0246-001X	TACT SW		
S501	NSW0124-001X	TACT SW		
X511	NAX0663-001X	C RESONATOR		
X601	NAX0776-001X	CRYSTAL		
X651	NAX0727-001X	CRYSTAL		
X652	NAX0728-001X	CRYSTAL		

Connector board

Block No. [0][3]

△ Symbol No.	Part No.	Part Name	Description	Local
CN892	QGF0523F1-07W	CONNECTOR	FFC/FPC (1-7)	
CN963	QGF1038F1-20X	CONNECTOR	FFC/FPC (1-20)	
CN964	QGZ2203L1-20X	CONNECTOR	(1-20)	
S891	NSW0183-001X	DETECT SW		
S892	NSW0183-001X	DETECT SW		
S893	NSW0183-001X	DETECT SW		
S894	NSW0183-001X	DETECT SW		
S895	NSW0183-001X	DETECT SW		
S896	NSW0183-001X	DETECT SW		

Front end board

Block No. [0][4]

△ Symbol No.	Part No.	Part Name	Description	Local
IC201	BA5835FM-X	IC		
IC251	BD6671FM-X	IC		
IC301	MN2DS0003AA-H	IC		
IC302	BA00HC5WF-X	IC		
IC304	S-80827CNNB-G-W	IC		
IC398	SG32M90TFIR3	IC(MICRO C ROM)		
IC398	SG32M90TFIR35C	FIRM WARE		
IC399	K4S281632F-UC75	IC(DIGITAL)		
IC399	or EDS1216AATA-75	IC(DIGITAL)		
IC401	AK4385ET-X	IC		
IC411	NJM4565V-X	IC		
IC481	BR93L66F-W-X	IC		
Q101	2SB1424/R/-W	TRANSISTOR		
Q102	2SC4617/R/-X	TRANSISTOR		
Q103	2SB1424/R/-W	TRANSISTOR		
Q104	2SC4617/R/-X	TRANSISTOR		
Q105	DTA114EE-X	DIGI TRANSISTOR		
Q231	DTC114EE-X	DIGI TRANSISTOR		
Q301	DTC144EE-X	DIGI TRANSISTOR		
Q302	DTC144EE-X	DIGI TRANSISTOR		
C1	NCB31CK-104X	C CAPACITOR	0.1uF 16V K	
C2	NCB31CK-104X	C CAPACITOR	0.1uF 16V K	
C3	NCB31CK-104X	C CAPACITOR	0.1uF 16V K	
C4	NCB31CK-104X	C CAPACITOR	0.1uF 16V K	
C5	NCB31CK-104X	C CAPACITOR	0.1uF 16V K	
C6	NCB31CK-104X	C CAPACITOR	0.1uF 16V K	
C7	NCB31CK-104X	C CAPACITOR	0.1uF 16V K	
C8	NCB31CK-104X	C CAPACITOR	0.1uF 16V K	
C9	NCB31CK-104X	C CAPACITOR	0.1uF 16V K	
C10	NCB31CK-104X	C CAPACITOR	0.1uF 16V K	
C11	NCB31CK-104X	C CAPACITOR	0.1uF 16V K	
C12	NCB31CK-104X	C CAPACITOR	0.1uF 16V K	
C13	NCB31CK-104X	C CAPACITOR	0.1uF 16V K	
C14	NCB31CK-104X	C CAPACITOR	0.1uF 16V K	
C15	NCB31CK-104X	C CAPACITOR	0.1uF 16V K	
C16	NCB31CK-104X	C CAPACITOR	0.1uF 16V K	
C17	NCB31CK-104X	C CAPACITOR	0.1uF 16V K	
C18	NCB31CK-104X	C CAPACITOR	0.1uF 16V K	
C19	NCB31CK-104X	C CAPACITOR	0.1uF 16V K	
C20	NCB31CK-104X	C CAPACITOR	0.1uF 16V K	
C21	NCB31CK-104X	C CAPACITOR	0.1uF 16V K	
C101	NCB31CK-104X	C CAPACITOR	0.1uF 16V K	
C102	NCB31CK-104X	C CAPACITOR	0.1uF 16V K	
C103	NCB31CK-104X	C CAPACITOR	0.1uF 16V K	
C104	NCB31CK-104X	C CAPACITOR	0.1uF 16V K	
C105	NBE41AM-476X	TA E CAPACITOR	47uF 10V M	
C106	NBE41AM-476X	TA E CAPACITOR	47uF 10V M	
C107	NCB31CK-104X	C CAPACITOR	0.1uF 16V K	
C108	NBE41AM-476X	TA E CAPACITOR	47uF 10V M	
C111	NCB31CK-104X	C CAPACITOR	0.1uF 16V K	
C112	NCB31CK-104X	C CAPACITOR	0.1uF 16V K	
C113	NCB31CK-104X	C CAPACITOR	0.1uF 16V K	
C201	NEAF1CM-107X	E CAPACITOR	100uF 16V M	

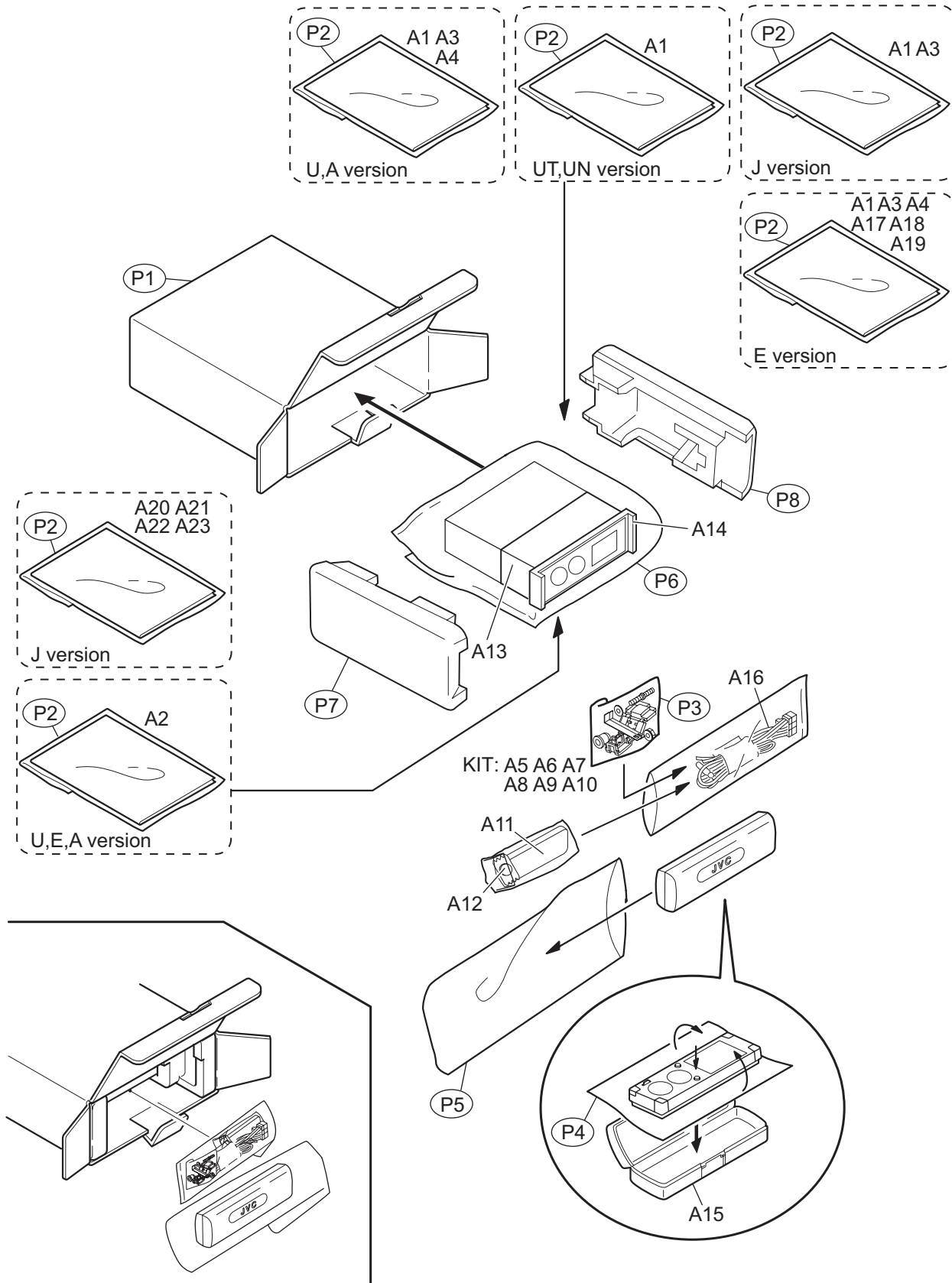
△ Symbol No.	Part No.	Part Name	Description	Local	△ Symbol No.	Part No.	Part Name	Description	Local
C202	NCB31CK-104X	C CAPACITOR	0.1uF 16V K		C398	NCB31CK-104X	C CAPACITOR	0.1uF 16V K	
C203	NCS31HJ-271X	C CAPACITOR	270pF 50V J		C399	NCB31CK-104X	C CAPACITOR	0.1uF 16V K	
C204	NDC31HJ-151X	C CAPACITOR	150pF 50V J		C401	NCB31CK-104X	C CAPACITOR	0.1uF 16V K	
C205	NCB31HK-681X	C CAPACITOR	680pF 50V K		C402	NBE41AM-476X	TA E CAPACITOR	47uF 10V M	
C206	NCB31HK-561X	C CAPACITOR	560pF 50V K		C403	NCB31HK-331X	C CAPACITOR	330pF 50V K	
C211	NEAF1CM-107X	E CAPACITOR	100uF 16V M		C404	NCB31CK-473X	C CAPACITOR	0.047uF 16V K	
C212	NCB31CK-104X	C CAPACITOR	0.1uF 16V K		C411	NCB31CK-104X	C CAPACITOR	0.1uF 16V K	
C213	NCB31CK-104X	C CAPACITOR	0.1uF 16V K		C412	NBE41AM-476X	TA E CAPACITOR	47uF 10V M	
C221	NCB31HK-223X	C CAPACITOR	0.022uF 50V K		C421	NCB31CK-104X	C CAPACITOR	0.1uF 16V K	
C222	NCB31HK-103X	C CAPACITOR	0.01uF 50V K		C422	NBE41AM-476X	TA E CAPACITOR	47uF 10V M	
C251	NCB31CK-104X	C CAPACITOR	0.1uF 16V K		C431	NCB31HK-332X	C CAPACITOR	3300pF 50V K	
C252	NEAF1CM-107X	E CAPACITOR	100uF 16V M		C432	NCS31HJ-471X	C CAPACITOR	470pF 50V J	
C253	NCB31CK-104X	C CAPACITOR	0.1uF 16V K		C433	NCS31HJ-471X	C CAPACITOR	470pF 50V J	
C254	NBE21AM-106X	TA E CAPACITOR	10uF 10V M		C451	NCB31CK-104X	C CAPACITOR	0.1uF 16V K	
C255	NCB31CK-104X	C CAPACITOR	0.1uF 16V K		C452	NCB31CK-104X	C CAPACITOR	0.1uF 16V K	
C256	NCB31CK-473X	C CAPACITOR	0.047uF 16V K		C453	NCB31CK-104X	C CAPACITOR	0.1uF 16V K	
C257	NCB31HK-102X	C CAPACITOR	1000pF 50V K		C454	NCB31CK-104X	C CAPACITOR	0.1uF 16V K	
C258	NCB31HK-102X	C CAPACITOR	1000pF 50V K		C481	NCB31CK-104X	C CAPACITOR	0.1uF 16V K	
C259	NCB31HK-102X	C CAPACITOR	1000pF 50V K		C491	NCB31CK-104X	C CAPACITOR	0.1uF 16V K	
C264	NCB31HK-103X	C CAPACITOR	0.01uF 50V K		C521	NCB31CK-104X	C CAPACITOR	0.1uF 16V K	
C265	NCB31CK-104X	C CAPACITOR	0.1uF 16V K		C522	NBE41AM-476X	TA E CAPACITOR	47uF 10V M	
C266	NCB31CK-104X	C CAPACITOR	0.1uF 16V K		C531	NCB31HK-332X	C CAPACITOR	3300pF 50V K	
C267	NCB31HK-103X	C CAPACITOR	0.01uF 50V K		C532	NCS31HJ-471X	C CAPACITOR	470pF 50V J	
C268	NCB31HK-153X	C CAPACITOR	0.015uF 50V K		C533	NCS31HJ-471X	C CAPACITOR	470pF 50V J	
C301	NEAF0GM-227X	E CAPACITOR	220uF 4V M		R101	NRSA63J-0R0X	MG RESISTOR	0Ω 1/16W J	
C302	NBE40JM-476X	TA E CAPACITOR	47uF 6.3V M		R102	NRSA63J-0R0X	MG RESISTOR	0Ω 1/16W J	
C305	NCB31CK-104X	C CAPACITOR	0.1uF 16V K		R103	NRSA63J-243X	MG RESISTOR	24kΩ 1/16W J	
C307	NCB31CK-104X	C CAPACITOR	0.1uF 16V K		R104	NRSA63J-303X	MG RESISTOR	30kΩ 1/16W J	
C308	NCB31CK-104X	C CAPACITOR	0.1uF 16V K		R105	NRS125J-270X	MG RESISTOR	27Ω 1/2W J	
C309	NCB31CK-104X	C CAPACITOR	0.1uF 16V K		R106	NRSA63J-2R2X	MG RESISTOR	2.2Ω 1/16W J	
C310	NCB31HK-102X	C CAPACITOR	1000pF 50V K		R107	NRSA63J-101X	MG RESISTOR	100Ω 1/16W J	
C311	NCB31CK-104X	C CAPACITOR	0.1uF 16V K		R108	NRSA63J-471X	MG RESISTOR	470Ω 1/16W J	
C312	NCB21CK-105X	C CAPACITOR	1uF 16V K		R109	NRSA63J-331X	MG RESISTOR	330Ω 1/16W J	
C313	NCB31CK-104X	C CAPACITOR	0.1uF 16V K		R110	NRSA63J-0R0X	MG RESISTOR	0Ω 1/16W J	
C314	NCB31CK-104X	C CAPACITOR	0.1uF 16V K		R111	NRSA63J-243X	MG RESISTOR	24kΩ 1/16W J	
C315	NCB31CK-104X	C CAPACITOR	0.1uF 16V K		R112	NRSA63J-303X	MG RESISTOR	30kΩ 1/16W J	
C316	NCB31CK-104X	C CAPACITOR	0.1uF 16V K		R113	NRS125J-270X	MG RESISTOR	27Ω 1/2W J	
C317	NCB31CK-104X	C CAPACITOR	0.1uF 16V K		R114	NRSA63J-2R2X	MG RESISTOR	2.2Ω 1/16W J	
C318	NCB31CK-104X	C CAPACITOR	0.1uF 16V K		R115	NRSA63J-101X	MG RESISTOR	100Ω 1/16W J	
C319	NCB31CK-104X	C CAPACITOR	0.1uF 16V K		R116	NRSA63J-471X	MG RESISTOR	470Ω 1/16W J	
C320	NCB31CK-104X	C CAPACITOR	0.1uF 16V K		R117	NRSA63J-331X	MG RESISTOR	330Ω 1/16W J	
C321	NCB31CK-104X	C CAPACITOR	0.1uF 16V K		R118	NRSA63J-0R0X	MG RESISTOR	0Ω 1/16W J	
C322	NCB31CK-104X	C CAPACITOR	0.1uF 16V K		R119	NRSA63J-0R0X	MG RESISTOR	0Ω 1/16W J	
C323	NCB31CK-104X	C CAPACITOR	0.1uF 16V K		R120	NRSA63J-0R0X	MG RESISTOR	0Ω 1/16W J	
C324	NCB21CK-105X	C CAPACITOR	1uF 16V K		R122	NRSA63J-0R0X	MG RESISTOR	0Ω 1/16W J	
C325	NDC31HJ-100X	C CAPACITOR	10pF 50V J		R123	NRSA63J-0R0X	MG RESISTOR	0Ω 1/16W J	
C326	NDC31HJ-100X	C CAPACITOR	10pF 50V J		R125	NRS125J-1R0X	MG RESISTOR	1Ω 1/2W J	
C330	NCB31CK-104X	C CAPACITOR	0.1uF 16V K		R126	NRSA02J-330X	MG RESISTOR	33Ω 1/10W J	
C331	NCB31CK-333X	C CAPACITOR	0.033uF 16V K		R201	NRS125J-1R0X	MG RESISTOR	1Ω 1/2W J	
C332	NCB31CK-104X	C CAPACITOR	0.1uF 16V K		R202	NRSA63J-473X	MG RESISTOR	47kΩ 1/16W J	
C333	NCB31CK-104X	C CAPACITOR	0.1uF 16V K		R203	NRSA63J-303X	MG RESISTOR	30kΩ 1/16W J	
C334	NCB31CK-104X	C CAPACITOR	0.1uF 16V K		R204	NRSA63J-273X	MG RESISTOR	27kΩ 1/16W J	
C335	NCB31CK-104X	C CAPACITOR	0.1uF 16V K		R205	NRSA63J-273X	MG RESISTOR	27kΩ 1/16W J	
C337	NCB31HK-183X	C CAPACITOR	0.018uF 50V K		R206	NRSA63J-0R0X	MG RESISTOR	0Ω 1/16W J	
C338	NCB31HK-562X	C CAPACITOR	5600pF 50V K		R207	NRSA63J-0R0X	MG RESISTOR	0Ω 1/16W J	
C339	NCB31CK-104X	C CAPACITOR	0.1uF 16V K		R208	NRSA63J-203X	MG RESISTOR	20kΩ 1/16W J	
C340	NCB21CK-105X	C CAPACITOR	1uF 16V K		R209	NRSA63J-223X	MG RESISTOR	22kΩ 1/16W J	
C341	NCB21CK-105X	C CAPACITOR	1uF 16V K		R211	NRSA63J-0R0X	MG RESISTOR	0Ω 1/16W J	
C347	NCB31CK-104X	C CAPACITOR	0.1uF 16V K		R219	NRSA63J-153X	MG RESISTOR	15kΩ 1/16W J	
C348	NCB31CK-104X	C CAPACITOR	0.1uF 16V K		R220	NRSA63J-183X	MG RESISTOR	18kΩ 1/16W J	
C349	NCB31CK-104X	C CAPACITOR	0.1uF 16V K		R221	NRSA63J-103X	MG RESISTOR	10kΩ 1/16W J	
C350	NCB31CK-104X	C CAPACITOR	0.1uF 16V K		R222	NRSA63J-103X	MG RESISTOR	10kΩ 1/16W J	
C351	NCB31CK-104X	C CAPACITOR	0.1uF 16V K		R223	NRSA63J-0R0X	MG RESISTOR	0Ω 1/16W J	
C352	NCB31CK-104X	C CAPACITOR	0.1uF 16V K		R224	NRSA63J-103X	MG RESISTOR	10kΩ 1/16W J	
C356	NCB21CK-105X	C CAPACITOR	1uF 16V K		R231	NRSA63J-272X	MG RESISTOR	2.7kΩ 1/16W J	
C364	NBE40JM-476X	TA E CAPACITOR	47uF 6.3V M		R232	NRSA63J-153X	MG RESISTOR	15kΩ 1/16W J	
C365	NCB31CK-104X	C CAPACITOR	0.1uF 16V K		R233	NRSA63J-0R0X	MG RESISTOR	0Ω 1/16W J	
C366	NCB21CK-105X	C CAPACITOR	1uF 16V K		R234	NRSA63J-394X	MG RESISTOR	390kΩ 1/16W J	
C369	NBE40JM-476X	TA E CAPACITOR	47uF 6.3V M		R235	NRSA63J-682X	MG RESISTOR	6.8kΩ 1/16W J	
C371	NCB21CK-105X	C CAPACITOR	1uF 16V K		R251	NRS125J-R47X	MG RESISTOR	0.47Ω 1/2W J	
C380	NCB31CK-104X	C CAPACITOR	0.1uF 16V K		R252	NRSA63J-103X	MG RESISTOR	10kΩ 1/16W J	
C384	NCB31CK-104X	C CAPACITOR	0.1uF 16V K		R253	NRSA63J-0R0X	MG RESISTOR	0Ω 1/16W J	
C391	NCB31CK-104X	C CAPACITOR	0.1uF 16V K		R254	NRSA63J-103X	MG RESISTOR	10kΩ 1/16W J	
C392	NCB31CK-104X	C CAPACITOR	0.1uF 16V K		R255	NRSA63J-203X	MG RESISTOR	20kΩ 1/16W J	
C393	NCB31CK-104X	C CAPACITOR	0.1uF 16V K		R256	NRSA63J-470X	MG RESISTOR	47Ω 1/16W J	
C395	NCB31CK-104X	C CAPACITOR	0.1uF 16V K		R257	NRSA63J-0R0X	MG RESISTOR	0Ω 1/16W J	
C396	NCB31CK-104X	C CAPACITOR	0.1uF 16V K		R258	NRSA63J-103X	MG RESISTOR	10kΩ 1/16W J	
C397	NBE20JM-226X	TA E CAPACITOR	22uF 6.3V M						

△ Symbol No.	Part No.	Part Name	Description	Local	△ Symbol No.	Part No.	Part Name	Description	Local
R259	NRSA63J-103X	MG RESISTOR	10kΩ 1/16W J		R431	NRSA63J-472X	MG RESISTOR	4.7kΩ 1/16W J	
R260	NRSA63J-470X	MG RESISTOR	47Ω 1/16W J		R432	NRSA63J-472X	MG RESISTOR	4.7kΩ 1/16W J	
R300	NRSA63J-0R0X	MG RESISTOR	0Ω 1/16W J		R433	NRSA63J-223X	MG RESISTOR	22kΩ 1/16W J	
R301	NRSA63J-0R0X	MG RESISTOR	0Ω 1/16W J		R434	NRSA63J-201X	MG RESISTOR	200Ω 1/16W J	
R303	NRSA63J-270X	MG RESISTOR	27Ω 1/16W J		R435	NRSA63J-472X	MG RESISTOR	4.7kΩ 1/16W J	
R306	NRSA63J-102X	MG RESISTOR	1kΩ 1/16W J		R436	NRSA63J-201X	MG RESISTOR	200Ω 1/16W J	
R307	NRSA63J-102X	MG RESISTOR	1kΩ 1/16W J		R437	NRSA63J-472X	MG RESISTOR	4.7kΩ 1/16W J	
R308	NRSA63J-223X	MG RESISTOR	22kΩ 1/16W J		R438	NRSA63J-223X	MG RESISTOR	22kΩ 1/16W J	
R309	NRSA63J-104X	MG RESISTOR	100kΩ 1/16W J		R441	NRSA63J-0R0X	MG RESISTOR	0Ω 1/16W J	
R310	NRSA63J-102X	MG RESISTOR	1kΩ 1/16W J		R442	NRSA63J-0R0X	MG RESISTOR	0Ω 1/16W J	
R312	NRSA63J-0R0X	MG RESISTOR	0Ω 1/16W J		R481	NRSA63J-103X	MG RESISTOR	10kΩ 1/16W J	
R313	NRSA63J-0R0X	MG RESISTOR	0Ω 1/16W J		R491	NRSA63J-103X	MG RESISTOR	10kΩ 1/16W J	
R314	NRSA63J-0R0X	MG RESISTOR	0Ω 1/16W J		R492	NRSA63J-472X	MG RESISTOR	4.7kΩ 1/16W J	
R315	NRSA63J-0R0X	MG RESISTOR	0Ω 1/16W J		R521	NRSA63J-102X	MG RESISTOR	1kΩ 1/16W J	
R316	NRSA63J-0R0X	MG RESISTOR	0Ω 1/16W J		R522	NRSA63J-102X	MG RESISTOR	1kΩ 1/16W J	
R317	NRSA63J-223X	MG RESISTOR	22kΩ 1/16W J		R531	NRSA63J-472X	MG RESISTOR	4.7kΩ 1/16W J	
R318	NRSA63J-333X	MG RESISTOR	33kΩ 1/16W J		R532	NRSA63J-472X	MG RESISTOR	4.7kΩ 1/16W J	
R319	NRSA63J-223X	MG RESISTOR	22kΩ 1/16W J		R533	NRSA63J-223X	MG RESISTOR	22kΩ 1/16W J	
R321	NRSA63J-0R0X	MG RESISTOR	0Ω 1/16W J		R534	NRSA63J-201X	MG RESISTOR	200Ω 1/16W J	
R322	NRSA63J-0R0X	MG RESISTOR	0Ω 1/16W J		R535	NRSA63J-472X	MG RESISTOR	4.7kΩ 1/16W J	
R323	NRSA63J-0R0X	MG RESISTOR	0Ω 1/16W J		R536	NRSA63J-201X	MG RESISTOR	200Ω 1/16W J	
R325	NRSA63J-161X	MG RESISTOR	160Ω 1/16W J		R537	NRSA63J-472X	MG RESISTOR	4.7kΩ 1/16W J	
R326	NRSA63J-101X	MG RESISTOR	100Ω 1/16W J		R538	NRSA63J-223X	MG RESISTOR	22kΩ 1/16W J	
R327	NRSA63J-101X	MG RESISTOR	100Ω 1/16W J		R605	NRSA63J-0R0X	MG RESISTOR	0Ω 1/16W J	
R328	NRSA63J-101X	MG RESISTOR	100Ω 1/16W J		R606	NRSA63J-0R0X	MG RESISTOR	0Ω 1/16W J	
R329	NRSA63J-101X	MG RESISTOR	100Ω 1/16W J		L303	NQL044K-100X	COIL	0.26Ω 10uH K	
R332	NRSA63J-102X	MG RESISTOR	1kΩ 1/16W J		L305	NQL093K-1R8X	COIL	1.8uH K	
R333	NRSA63J-163X	MG RESISTOR	16kΩ 1/16W J		L306	NQL093K-1R8X	COIL	1.8uH K	
R334	NRSA63J-151X	MG RESISTOR	150Ω 1/16W J		L307	NQL093K-1R8X	COIL	1.8uH K	
R335	NRSA63J-151X	MG RESISTOR	150Ω 1/16W J		L451	NQL044K-100X	COIL	0.26Ω 10uH K	
R336	NRSA63J-151X	MG RESISTOR	150Ω 1/16W J						
R337	NRSA63J-151X	MG RESISTOR	150Ω 1/16W J						
R338	NRSA63J-0R0X	MG RESISTOR	0Ω 1/16W J		CN101	QGF0522F1-30W	CONNECTOR	FFC/FPC (1-30)	
R339	NRSA63J-0R0X	MG RESISTOR	0Ω 1/16W J		CN201	QGF1038F1-11X	CONNECTOR	FFC/FPC (1-11)	
R340	NRSA63D-303X	MG RESISTOR	30kΩ 1/16W D		CN202	QGF0523F1-05W	CONNECTOR	FFC/FPC (1-5)	
R345	NRSA63J-0R0X	MG RESISTOR	0Ω 1/16W J		CN402	QGF0522F1-06W	CONNECTOR	FFC/FPC (1-6)	
R346	NRSA63J-473X	MG RESISTOR	47kΩ 1/16W J		CN403	QGF0534F1-45X	CONNECTOR	FFC/FPC (1-45)	
R347	NRSA63J-473X	MG RESISTOR	47kΩ 1/16W J		K101	NQR0007-002X	FERRITE BEADS		
R348	NRSA63J-473X	MG RESISTOR	47kΩ 1/16W J		K102	NQR0007-002X	FERRITE BEADS		
R349	NRSA63J-473X	MG RESISTOR	47kΩ 1/16W J		K301	NQR0502-001X	FERRITE BEADS		
R350	NRSA63J-750X	MG RESISTOR	75Ω 1/16W J		K311	NQR0129-002X	FERRITE BEADS		
R351	NRSA63J-102X	MG RESISTOR	1kΩ 1/16W J		K399	NQR0502-001X	FERRITE BEADS		
R352	NRSA63J-105X	MG RESISTOR	1MΩ 1/16W J		K401	NQR0022-005X	FERRITE BEADS		
R353	NRSA63J-101X	MG RESISTOR	100Ω 1/16W J		K402	NQR0022-005X	FERRITE BEADS		
R354	NRSA63J-101X	MG RESISTOR	100Ω 1/16W J		K403	NQR0022-005X	FERRITE BEADS		
R355	NRSA63J-0R0X	MG RESISTOR	0Ω 1/16W J		K404	NQR0022-005X	FERRITE BEADS		
R356	NRSA63J-0R0X	MG RESISTOR	0Ω 1/16W J		K405	NQR0022-005X	FERRITE BEADS		
R357	NRSA63J-0R0X	MG RESISTOR	0Ω 1/16W J		K406	NQR0022-005X	FERRITE BEADS		
R358	NRSA63J-0R0X	MG RESISTOR	0Ω 1/16W J		K407	NQR0022-005X	FERRITE BEADS		
R359	NRSA63J-750X	MG RESISTOR	75Ω 1/16W J		K425	NQL093K-1R8X	COIL	1.8uH K	
R360	NRSA63J-750X	MG RESISTOR	75Ω 1/16W J		K441	NQR0022-005X	FERRITE BEADS		
R361	NQL093K-1R8X	COIL	1.8uH K		K442	NQR0022-005X	FERRITE BEADS		
R362	NRSA63J-0R0X	MG RESISTOR	0Ω 1/16W J		K443	NQR0022-005X	FERRITE BEADS		
R363	NRSA63J-151X	MG RESISTOR	150Ω 1/16W J		K444	NQR0022-005X	FERRITE BEADS		
R364	NRSA63J-151X	MG RESISTOR	150Ω 1/16W J		K445	NQR0022-005X	FERRITE BEADS		
R365	NRSA63D-911X	MG RESISTOR	910Ω 1/16W D		K451	NQR0022-005X	FERRITE BEADS		
R366	NRSA63D-202X	MG RESISTOR	2kΩ 1/16W D		K452	NQR0022-005X	FERRITE BEADS		
R370	NRSA63J-103X	MG RESISTOR	10kΩ 1/16W J		K601	NQR0022-005X	FERRITE BEADS		
R372	NRSA63J-331X	MG RESISTOR	330Ω 1/16W J		SW4	NSW0184-001X	DETECT SW		
R373	NRSA63J-331X	MG RESISTOR	330Ω 1/16W J		SW5	NSW0183-001X	DETECT SW		
R380	NRSA63J-102X	MG RESISTOR	1kΩ 1/16W J		TH491	NAD0025-103X	N THERMISTOR	10kΩ	
R384	NRSA63J-102X	MG RESISTOR	1kΩ 1/16W J		X351	NAX0730-001X	CRYSTAL		
R385	NRSA63J-102X	MG RESISTOR	1kΩ 1/16W J						
R386	NRSA63J-0R0X	MG RESISTOR	0Ω 1/16W J						
R390	NRSA63J-103X	MG RESISTOR	10kΩ 1/16W J						
R391	NRSA63J-0R0X	MG RESISTOR	0Ω 1/16W J						
R392	NRSA63J-0R0X	MG RESISTOR	0Ω 1/16W J						
R393	NRSA63J-121X	MG RESISTOR	120Ω 1/16W J						
R394	NRSA63J-121X	MG RESISTOR	120Ω 1/16W J						
R396	NRSA63J-473X	MG RESISTOR	47kΩ 1/16W J						
R399	NRSA63J-0R0X	MG RESISTOR	0Ω 1/16W J						
R401	NRSA63J-100X	MG RESISTOR	10Ω 1/16W J						
R402	NRSA63J-4R7X	MG RESISTOR	4.7Ω 1/16W J						
R403	NRSA63J-0R0X	MG RESISTOR	0Ω 1/16W J						
R404	NRSA63J-473X	MG RESISTOR	47kΩ 1/16W J						
R411	NRSA63J-100X	MG RESISTOR	10Ω 1/16W J						
R421	NRSA63J-102X	MG RESISTOR	1kΩ 1/16W J						
R422	NRSA63J-102X	MG RESISTOR	1kΩ 1/16W J						

Packing materials and accessories parts list

Block No. **M 3 M M**

No additional / supplemental order of WARRANTY CARDS are available.



Packing and Accessories

Block No. [M][3][M][M]

△ Symbol No.	Part No.	Part Name	Description	Local
A 1	LVT1323-001B	INST BOOK	ENG GER FRE DUT	E
A 1	LVT1322-001B	INST BOOK	ENG SPA FRE	J
A 1	LVT1324-001B	INST BOOK	ENG CHI(TAIWAN) THA	A,U
A 1	LVT1324-003B	INST BOOK	ENG INA	UN
A 1	LVT1324-004B	INST BOOK	ENG CHI(TAIWAN)	UT
A 2	LVT1323-002B	INST BOOK	SPA ITA SWE RUS	E
A 2	LVT1324-002B	INST BOOK	KOR ARA PER	A,U
A 3	LVT1323-005A	INST MANUAL		E
A 3	LVT1322-002A	INST MANUAL		J
A 3	LVT1324-007A	INST MANUAL		UN
A 3	LVT1324-005A	INSTALL MANUAL		A,U,UT
A 4	LVT1323-006A	INSTALL MANUAL		E
A 4	LVT1324-006A	INSTALL MANUAL		A,U
A 5	VKZ4027-202	PLUG NUT		
A 6	VKH4871-003	MOUNT BOLT		
A 7	VKZ4328-003	LOCK NUT		
A 8	QYWSS50A010ZA	WASHER	0.1mm/5mm x	
A 9	FSKL4010-002	HOOK	(x2)	
A 10	LV41478-002A	CORD CONNECTOR	(x2)	
A 11	RM-RK230	REMOCON		
A 12	-----	BATTERY		
A 13	FSKM2004-003	MOUNTING SLEEVE		
A 14	LV21948-001A	TRIM		
A 15	LV35787-001A	HARD CASE ASSY		
A 16	QAM0700-001	CAR CABLE		E
A 16	QAM0701-001	CAR CABLE		A,J,U,UN,UT
A 17	-----	WARRANTY CARD	BT-54026-1	E
A 18	VND3046-001	SERIAL TICKET		E
A 19	VND3050-002	IDENTITY CARD		E
A 20	LVT0717-001B	TROUBLE SHEET(C		J
A 21	-----	WARRANTY CARD	BT-51018-4	J
A 22	BT-51034-2	REGISTRATION CARD		J
A 23	-----	WARRANTY CARD	BT-52006-2	J
KIT	SRW-AVX1E	SCREW PARTS KIT	A5 A6 A7 A8 A9 A10	
P 1	LV36105-001A	CARTON		A
P 1	LV35859-001A	CARTON		E
P 1	LV35788-001A	CARTON		J
P 1	LV35860-001A	CARTON		U,UN,UT
P 2	FSPG4002-001	POLY BAG	(x2)	A,E,J,U
P 2	FSPG4002-001	POLY BAG		UN,UT
P 3	QPA00801205	POLY BAG	8cm x 12cm	
P 4	FSYH4036-068	SHEET		
P 5	QPA01003003	POLY BAG	10cm x 30cm	
P 6	QPC02604420P	POLY BAG	26cm x 44cm	
P 7	LV11084-001A	CUSHION (L)		
P 8	LV11085-001A	CUSHION (R)		

JVC

SCHEMATIC DIAGRAMS

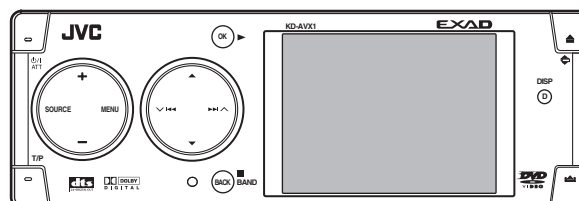
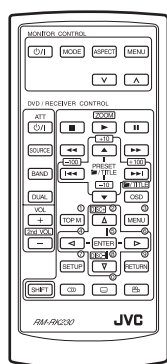
DVD/CD RECEIVER

KD-AVX1

CD-ROM No.SML200505

Area suffix

J ----- Northern America
E ----- Southern Europe
A ----- Australia
UT ----- Taiwan
UN ----- Indonesia
U ----- Other Areas




Lead free solder used in the board (material : Sn-Ag-Cu, melting point : 219 Centigrade)

Contents

Block diagram	2-1
Standard schematic diagrams	2-3
Printed circuit boards	2-13 to 19

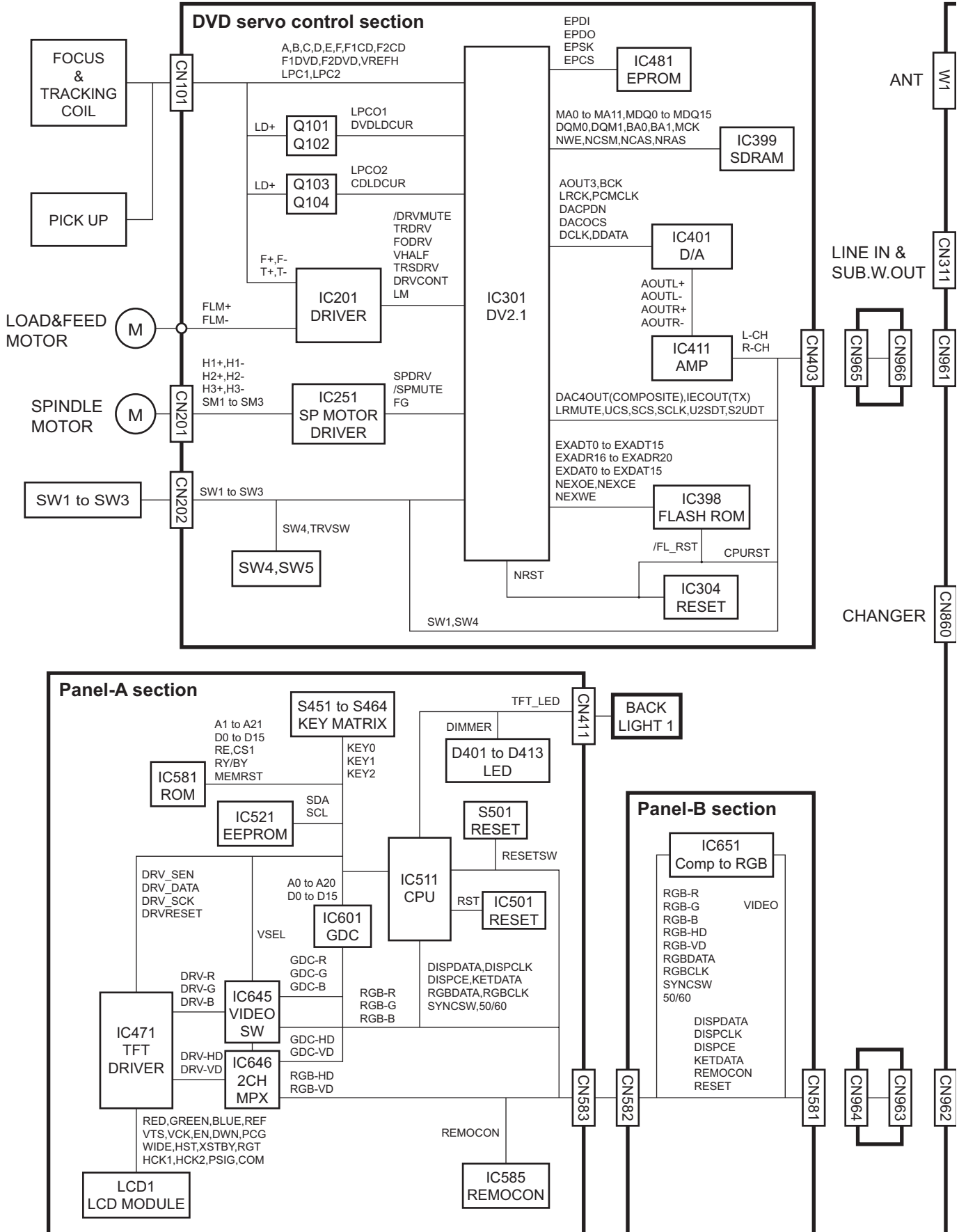
Safety precaution

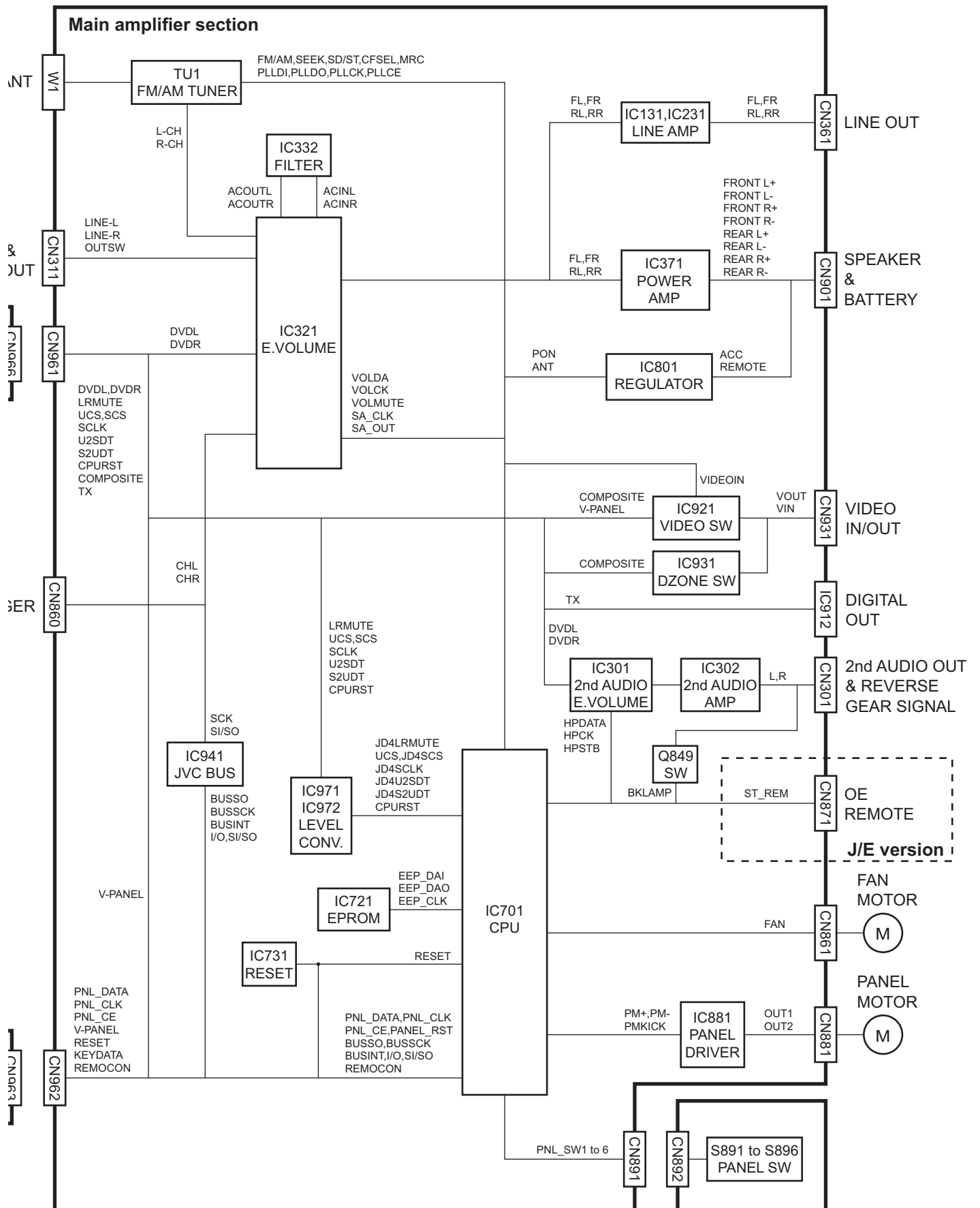
 **CAUTION** Burrs formed during molding may be left over on some parts of the chassis. Therefore, pay attention to such burrs in the case of performing repair of this system.

 **CAUTION** Please use enough caution not to see the beam directly or touch it in case of an adjustment or operation check.

< MEMO >

Block diagram



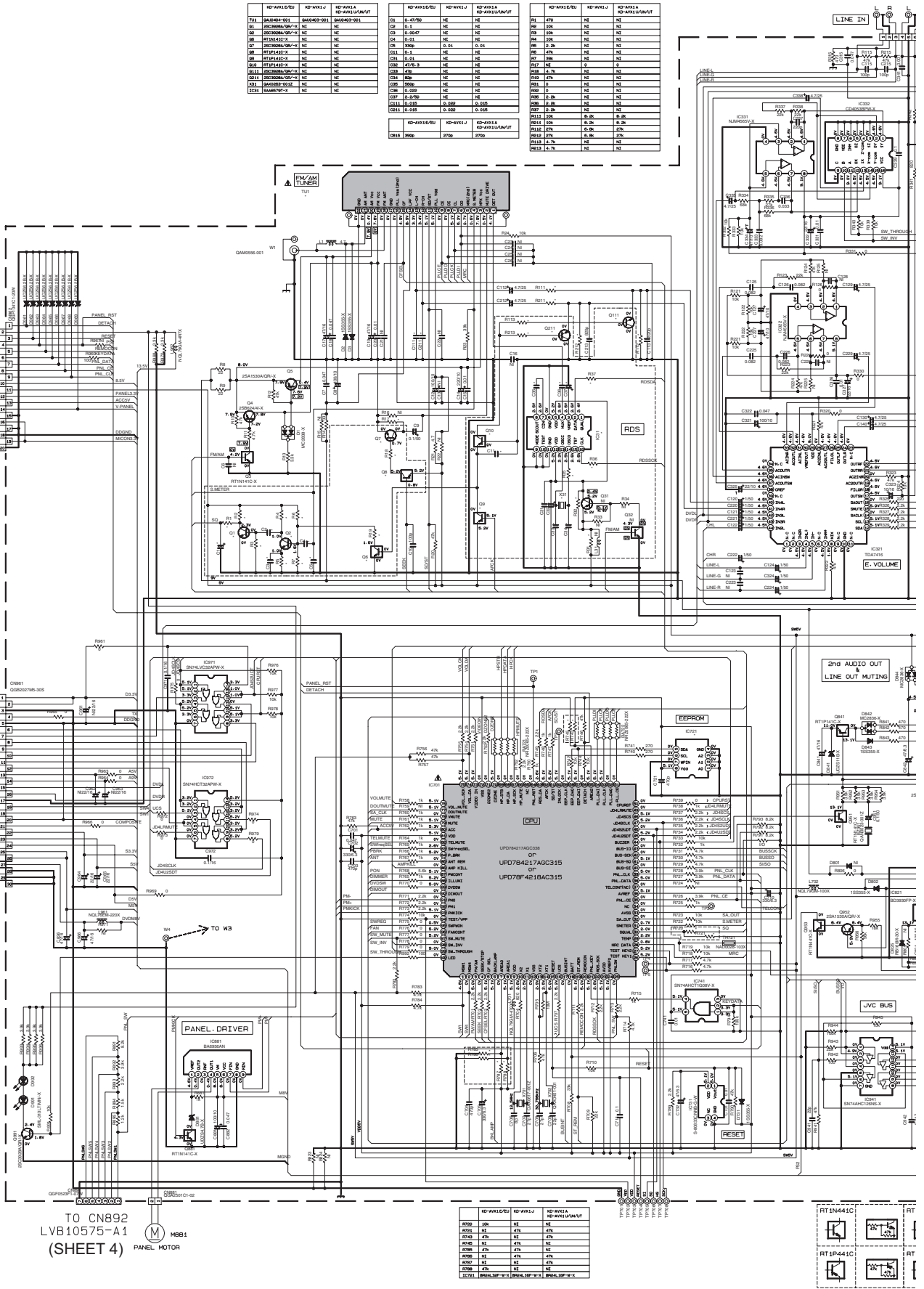


Standard schematic diagrams

■ Main amplifier section

(SHEET 4)
TO CN963
LVB10575-A2

(SHEET 4)
TO CN966
LVB10572-A2

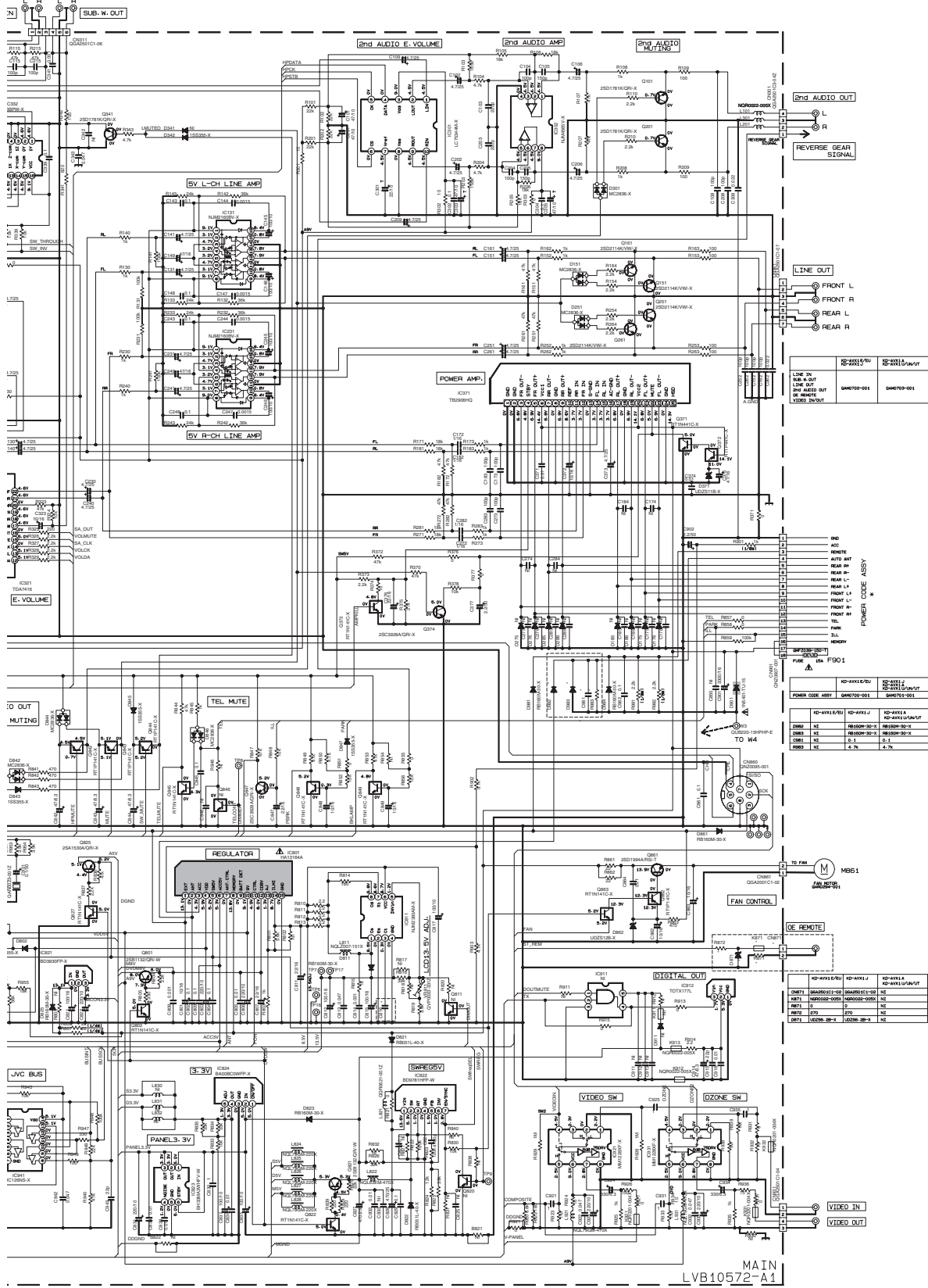


TO CN892
LVB10575-A1
(SHEET 4)

MB1
PANEL MOTOR

IC70	IC71	IC72	IC73	IC74	IC75	IC76	IC77	IC78	IC79	IC80	IC81	IC82	IC83	IC84	IC85	IC86	IC87	IC88	IC89	IC90
U13	U14	U15	U16	U17	U18	U19	U20	U21	U22	U23	U24	U25	U26	U27	U28	U29	U30	U31	U32	U33

IC91	IC92	IC93	IC94	IC95	IC96	IC97	IC98	IC99	IC100
U34	U35	U36	U37	U38	U39	U40	U41	U42	U43



LINE IN	RE-20015V0	RE-20015V0
LINE OUT	GM7070-001	GM7070-001
VIDEO IN/OUT		

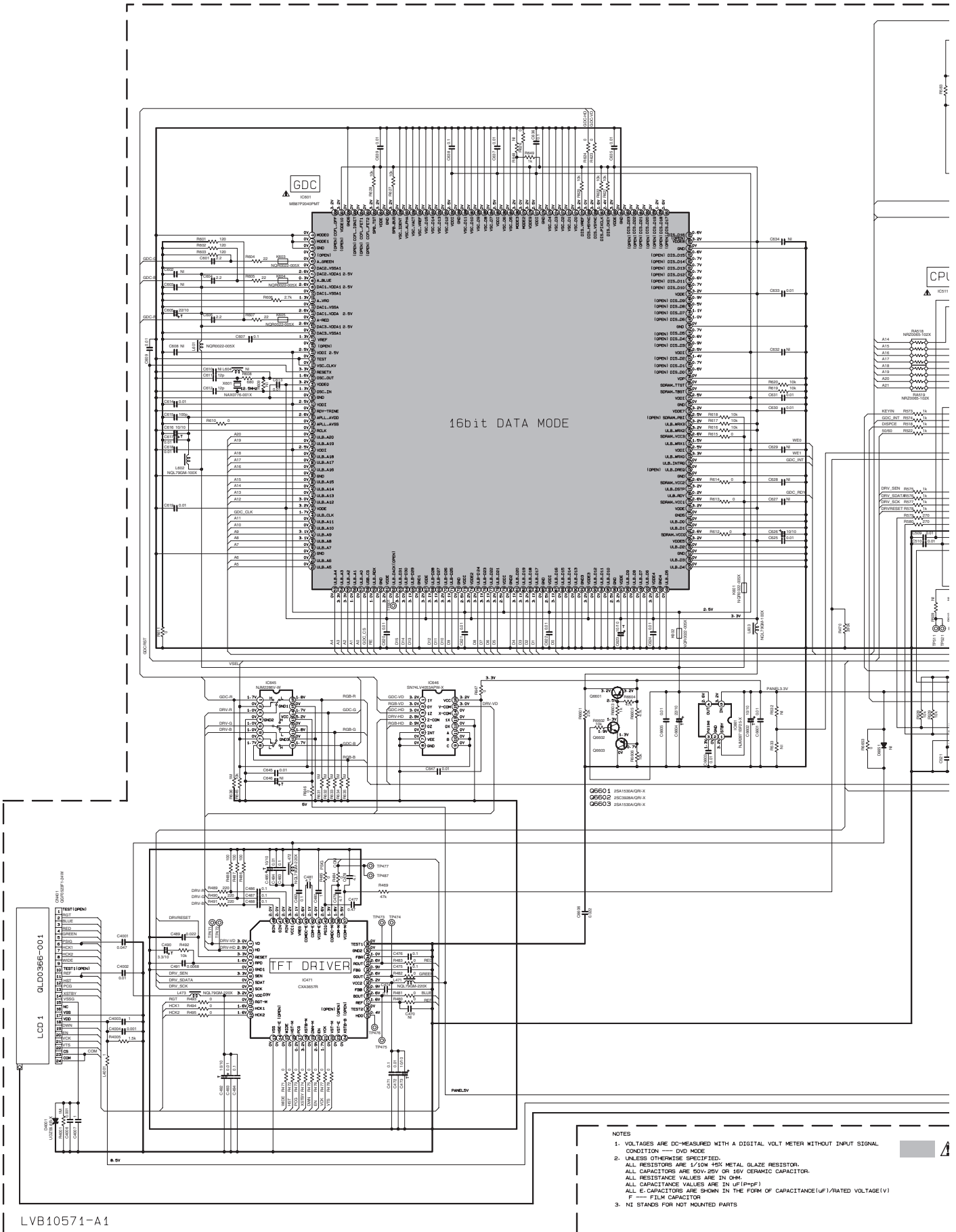
POWER CODE ASSY	GM7070-001	GM7070-001
RE-44016V0	RE-44016V0	RE-44016V0
RE-44016V0	RE-44016V0	RE-44016V0
RE-44016V0	RE-44016V0	RE-44016V0
RE-44016V0	RE-44016V0	RE-44016V0
RE-44016V0	RE-44016V0	RE-44016V0
RE-44016V0	RE-44016V0	RE-44016V0
RE-44016V0	RE-44016V0	RE-44016V0
RE-44016V0	RE-44016V0	RE-44016V0
RE-44016V0	RE-44016V0	RE-44016V0

RE-44016V0	RE-44016V0	RE-44016V0
RE-44016V0	RE-44016V0	RE-44016V0
RE-44016V0	RE-44016V0	RE-44016V0
RE-44016V0	RE-44016V0	RE-44016V0
RE-44016V0	RE-44016V0	RE-44016V0
RE-44016V0	RE-44016V0	RE-44016V0
RE-44016V0	RE-44016V0	RE-44016V0
RE-44016V0	RE-44016V0	RE-44016V0
RE-44016V0	RE-44016V0	RE-44016V0

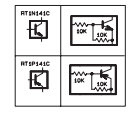
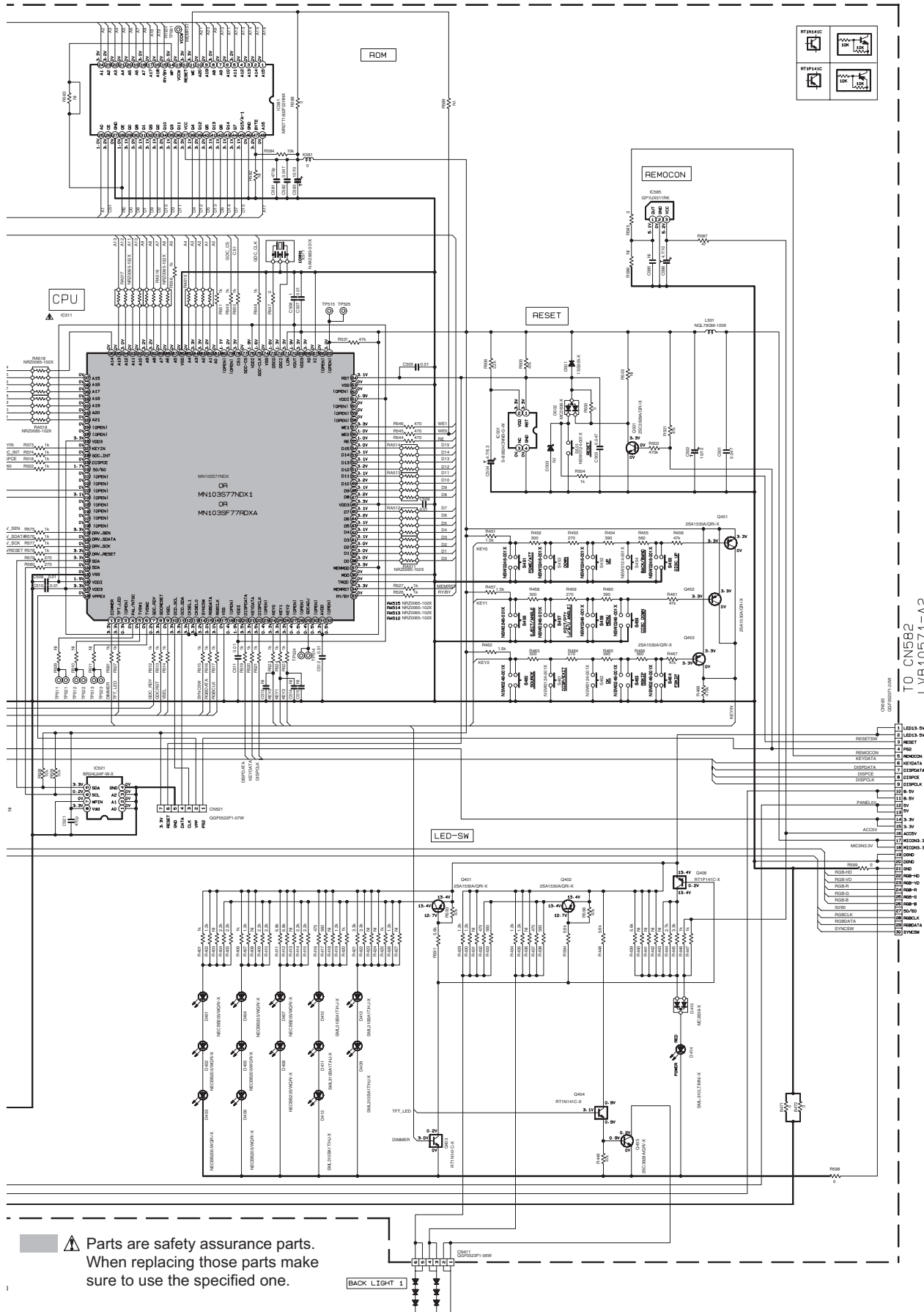
- NOTES
- VOLTAGES ARE DC-MEASURED WITH A DIGITAL VOLT METER WITHOUT INPUT SIGNAL. CONDITION — DVD MODE: () FM MODE: () AM MODE: ()
 - UNLESS OTHERWISE SPECIFIED: ALL RESISTORS ARE 1/4W 5% METAL GLAZE RESISTOR. ALL CAPACITORS ARE 50V, 20V OR 50V CERAMIC CAPACITOR. ALL RESISTANCE VALUES ARE IN OHM. ALL CAPACITANCE VALUES ARE IN pF (p=10⁻¹²) UNLESS OTHERWISE SPECIFIED. ALL CAPACITORS ARE SHOWN IN THE FORM OF CAPACITANCE (UF)/RATED VOLTAGE (V). F — FILM CAPACITOR
 - NI STANDS FOR NOT MOUNTED PARTS

⚠ Parts are safety assurance parts. When replacing those parts make sure to use the specified one.

Panel-A section



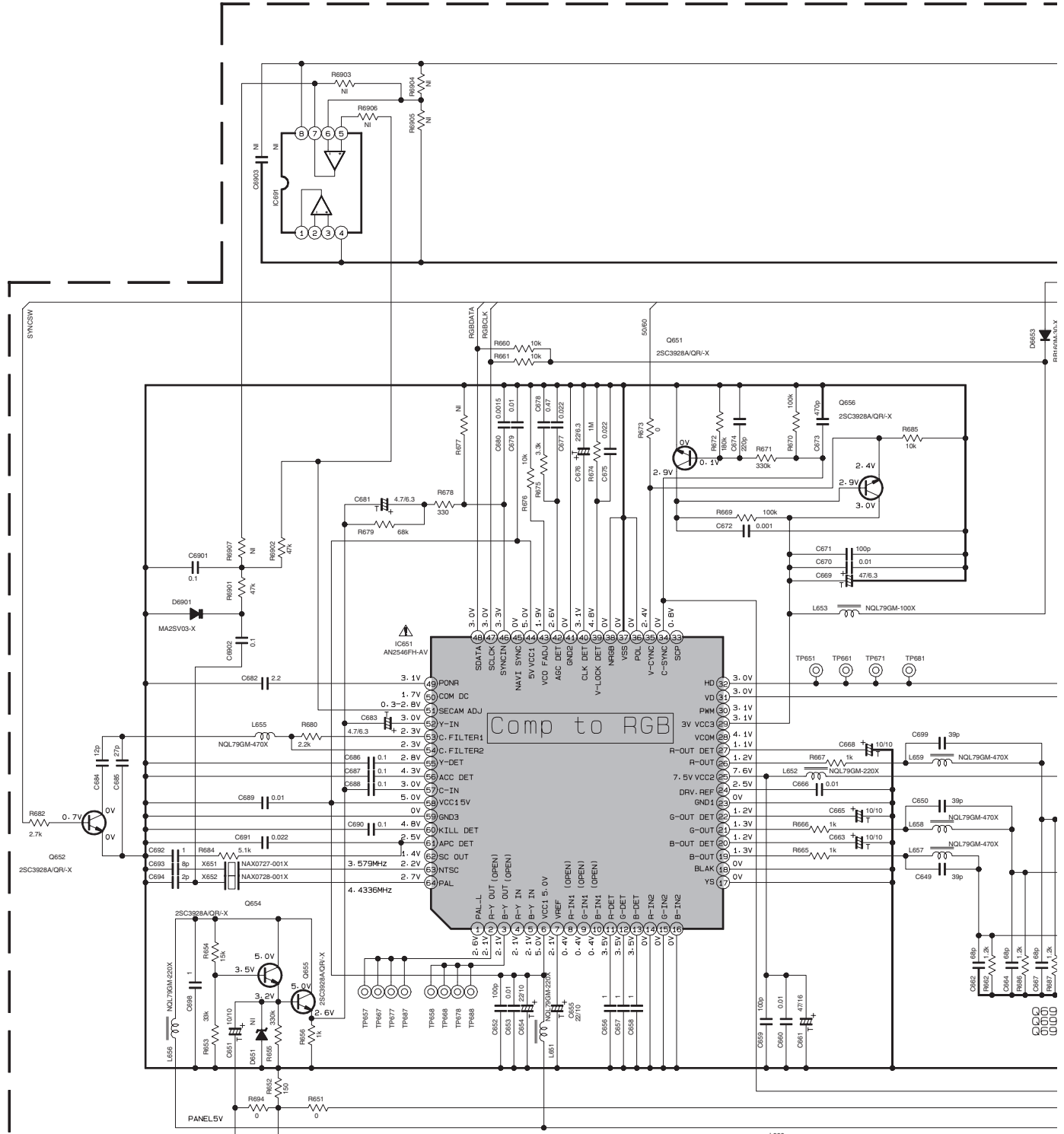
LVB10571-A1



TO CN582
LVB10571-A2
(SHEET 3)

▲ Parts are safety assurance parts.
When replacing those parts make
sure to use the specified one.

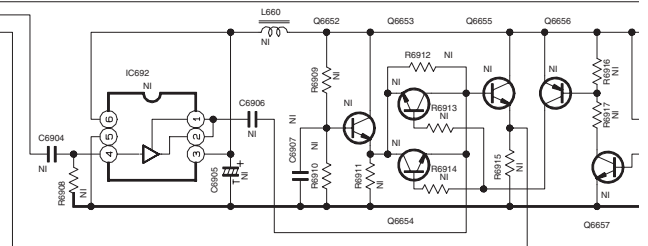
Panel-B section

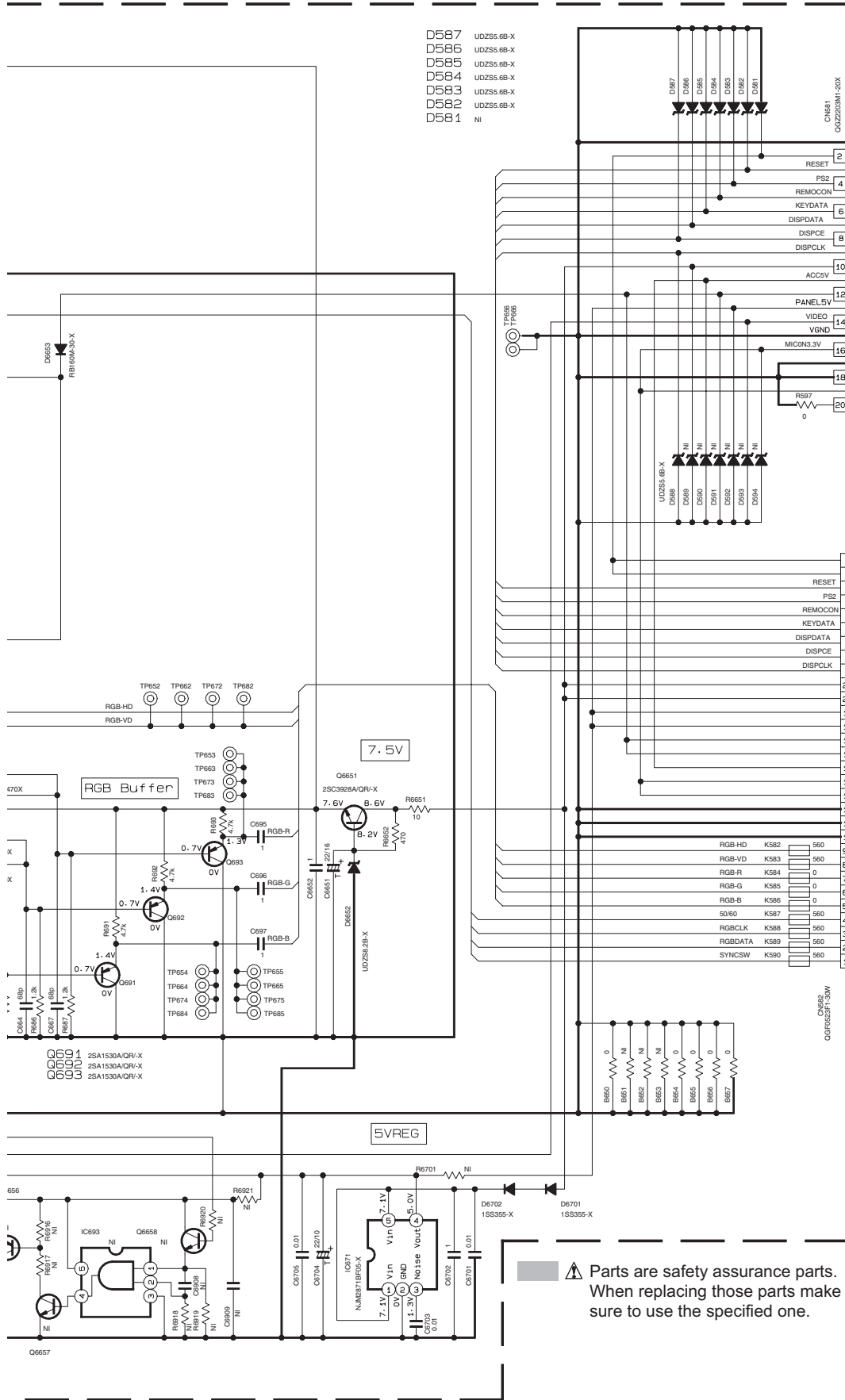


LVB10571-A2

NOTES

1. VOLTAGES ARE DC-MEASURED WITH A DIGITAL VOLT METER WITHOUT INPUT SIGNAL CONDITION --- DVD MODE
2. UNLESS OTHERWISE SPECIFIED.
ALL RESISTORS ARE 1/10W ±5% METAL GLAZE RESISTOR.
ALL CAPACITORS ARE 50V, 25V OR 16V CERAMIC CAPACITOR.
ALL RESISTANCE VALUES ARE IN OHM.
ALL CAPACITANCE VALUES ARE IN uF (P=pF)
ALL E. CAPACITORS ARE SHOWN IN THE FORM OF CAPACITANCE (uF)/RATED VOLTAGE (V)
F --- FILM CAPACITOR
3. NI STANDS FOR NOT MOUNTED PARTS





- D587 UDZS5.6B-X
- D586 UDZS5.6B-X
- D585 UDZS5.6B-X
- D584 UDZS5.6B-X
- D583 UDZS5.6B-X
- D582 UDZS5.6B-X
- D581 NI

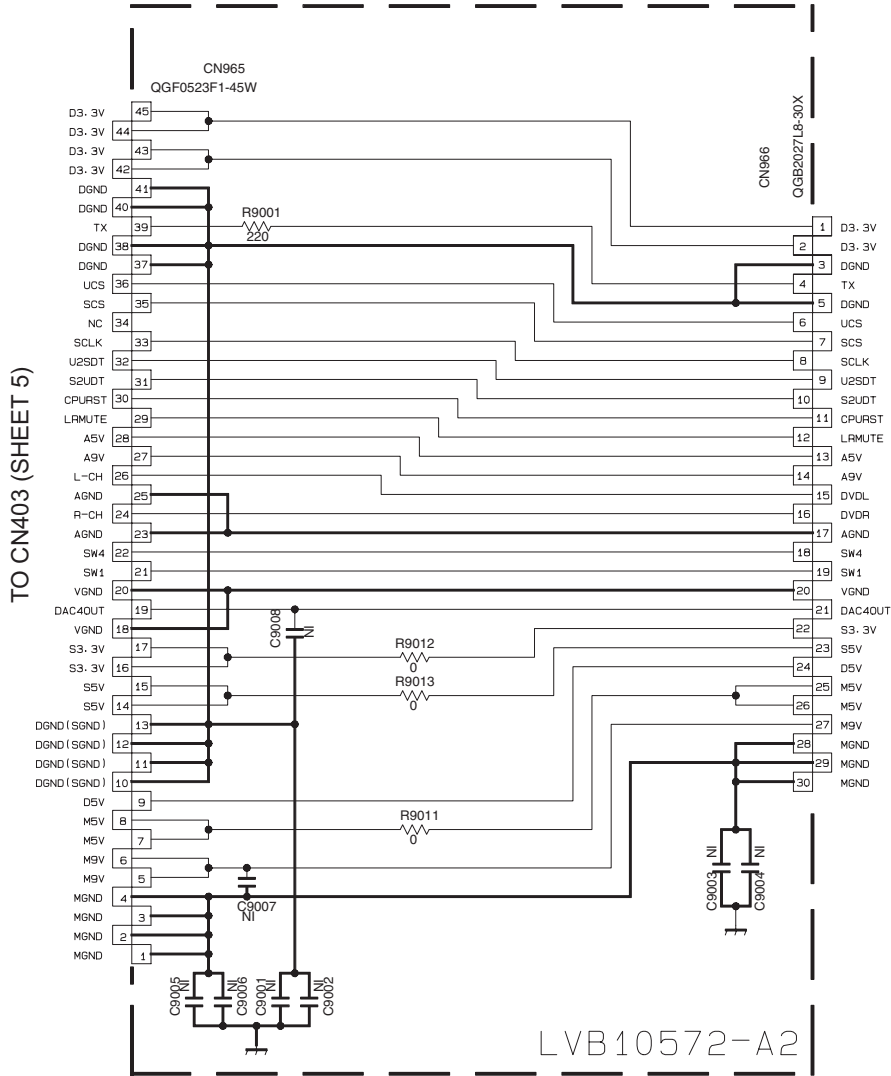
TO CN964
DETACHE CONNECTOR
LVB10575-A2
(SHEET 4)

TO CN583
LVB10574-A1
(SHEET 2)

⚠ Parts are safety assurance parts.
When replacing those parts make
sure to use the specified one.

■ Connecting section

TO DVD MECHA (JD4)

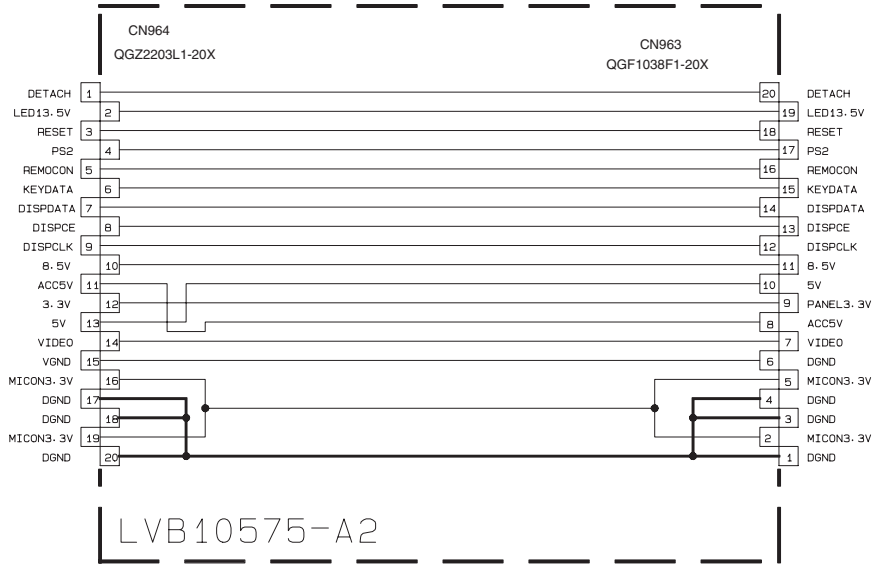


TO CN961
LVB10572-A1
(SHEET 1)
TO CN581
(SHEET 3)
DETACHE CONNECTOR

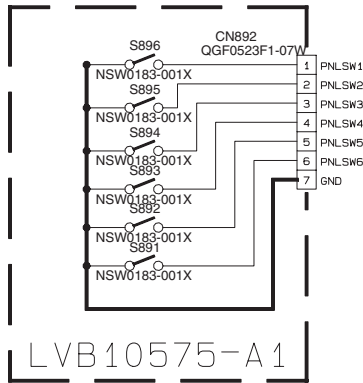
NOTES

1. VOLTAGES ARE DC-MEASUF
CONDITION --- DVD MOD
2. UNLESS OTHERWISE SPEC
ALL RESISTORS ARE 1/11
ALL CAPACITORS ARE 50'
ALL RESISTANCE VALUES
ALL CAPACITANCE VALUE:
ALL E. CAPACITORS ARE :
F --- FILM CAPACITOR
3. NI STANDS FOR NOT MOU

TO CN581
DETACHE CONNECTOR
LVB10571-A2



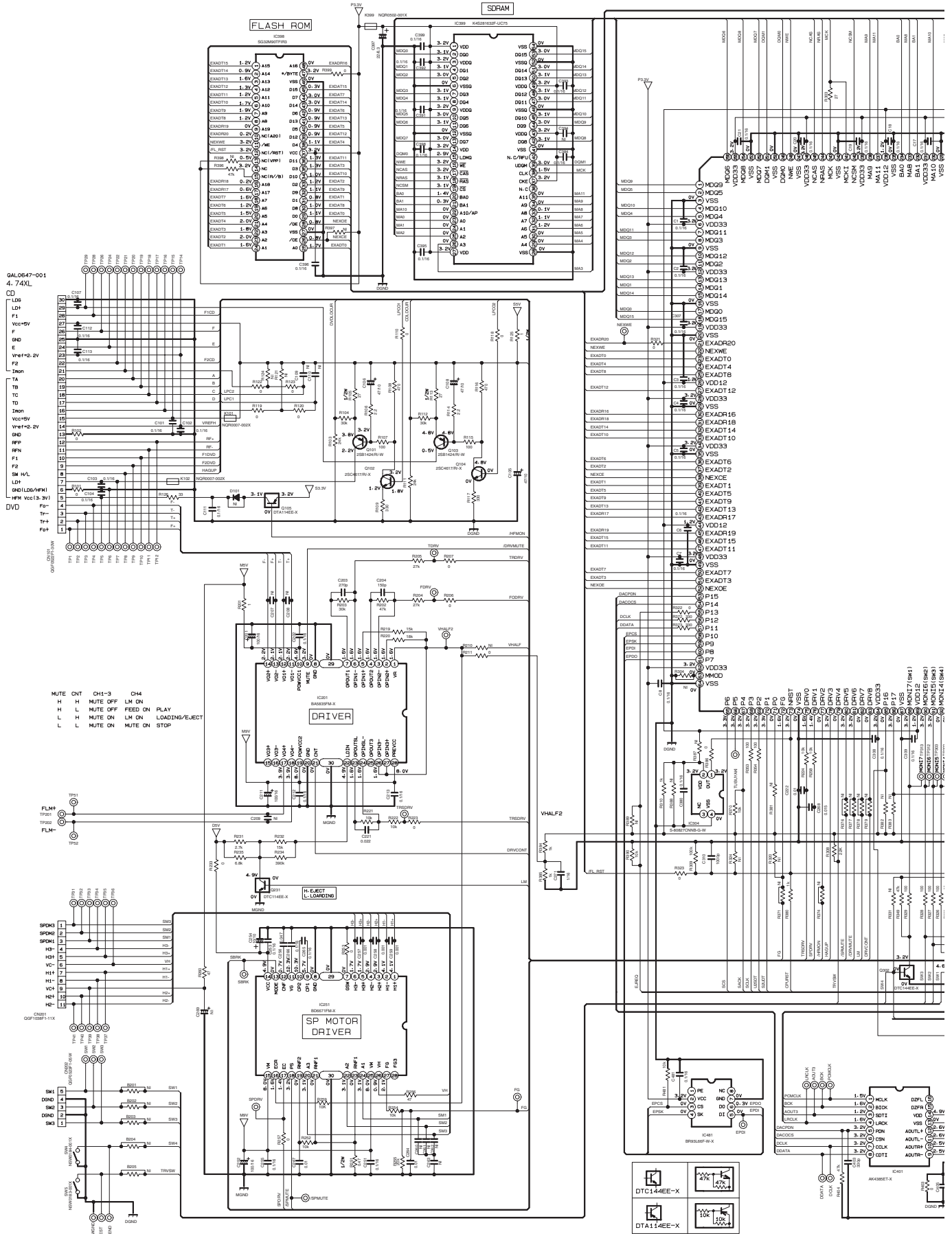
TO CN962
LVB10572-A1
(SHEET 1)

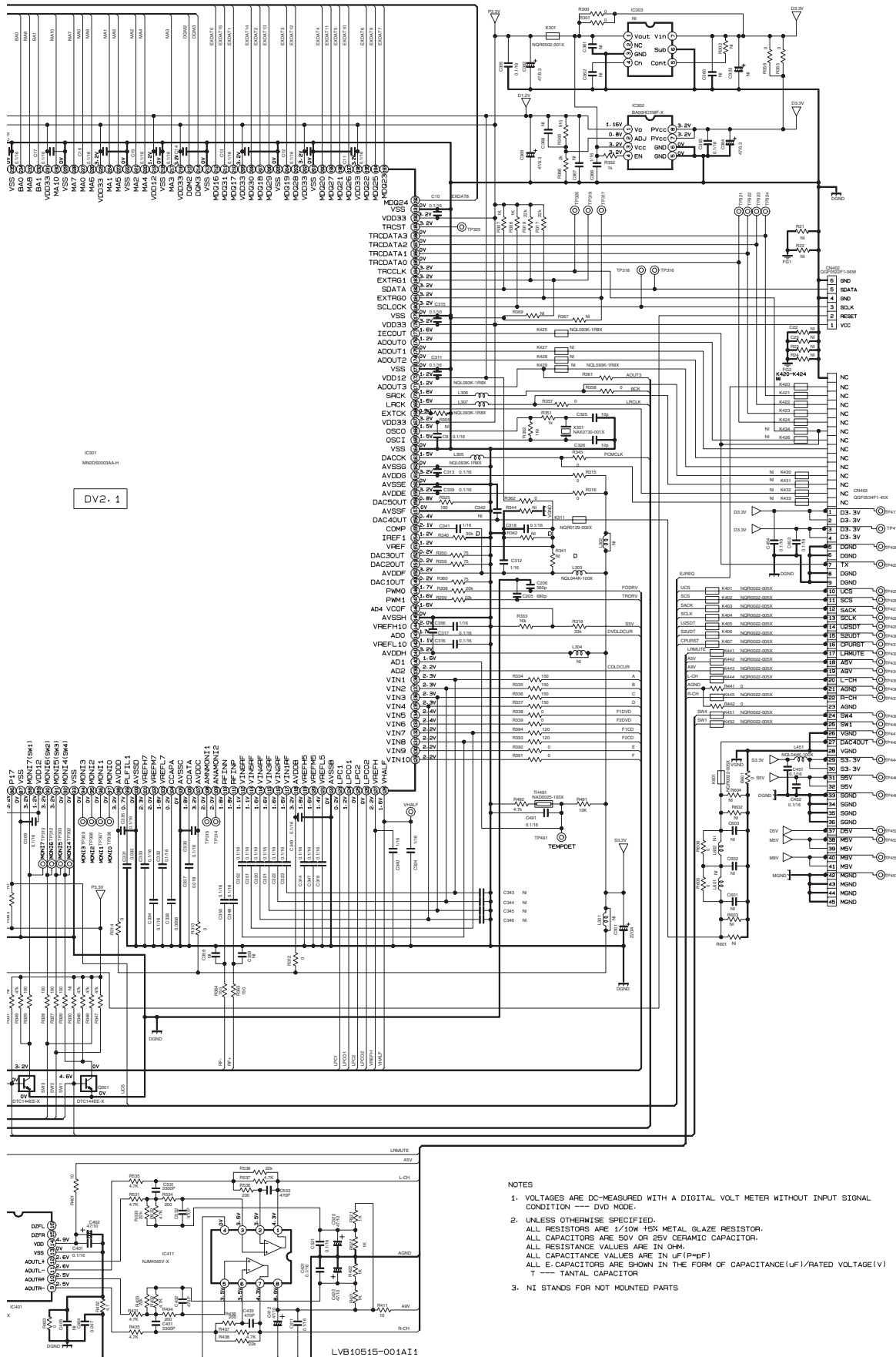


TO CN891
LVB10572-A1
(SHEET 1)

ΩC-MEASURED WITH A DIGITAL VOLT METER WITHOUT INPUT SIGNAL
 DVD MODE, () FM MODE, □ AM MODE.
 [SE SPECIFIED.
 ARE 1/10W +5% METAL GLAZE RESISTOR.
 3 ARE 50V, 25V OR 16V CERAMIC CAPACITOR.
 : VALUES ARE IN OHM.
 ≥E VALUES ARE IN uF (P=pF)
 JRS ARE SHOWN IN THE FORM OF CAPACITANCE(uF)/RATED VOLTAGE(V)
 P-CAPACITOR
 NOT MOUNTED PARTS

DVD servo control section





DV2.1

TO CN965 (SHEET 4)

NOTES

1. VOLTAGES ARE DC-MEASURED WITH A DIGITAL VOLT METER WITHOUT INPUT SIGNAL CONDITION DVD MODE.
2. UNLESS OTHERWISE SPECIFIED, ALL RESISTORS ARE 1/10W ±5% METAL GLAZE RESISTOR. ALL CAPACITORS ARE 50V OR 25V CERAMIC CAPACITOR. ALL RESISTANCE VALUES ARE IN OHM. ALL CAPACITANCE VALUES ARE IN uF (P=PF) T --- TANTAL CAPACITOR
3. NI STANDS FOR NOT MOUNTED PARTS

LVB10515-001A11

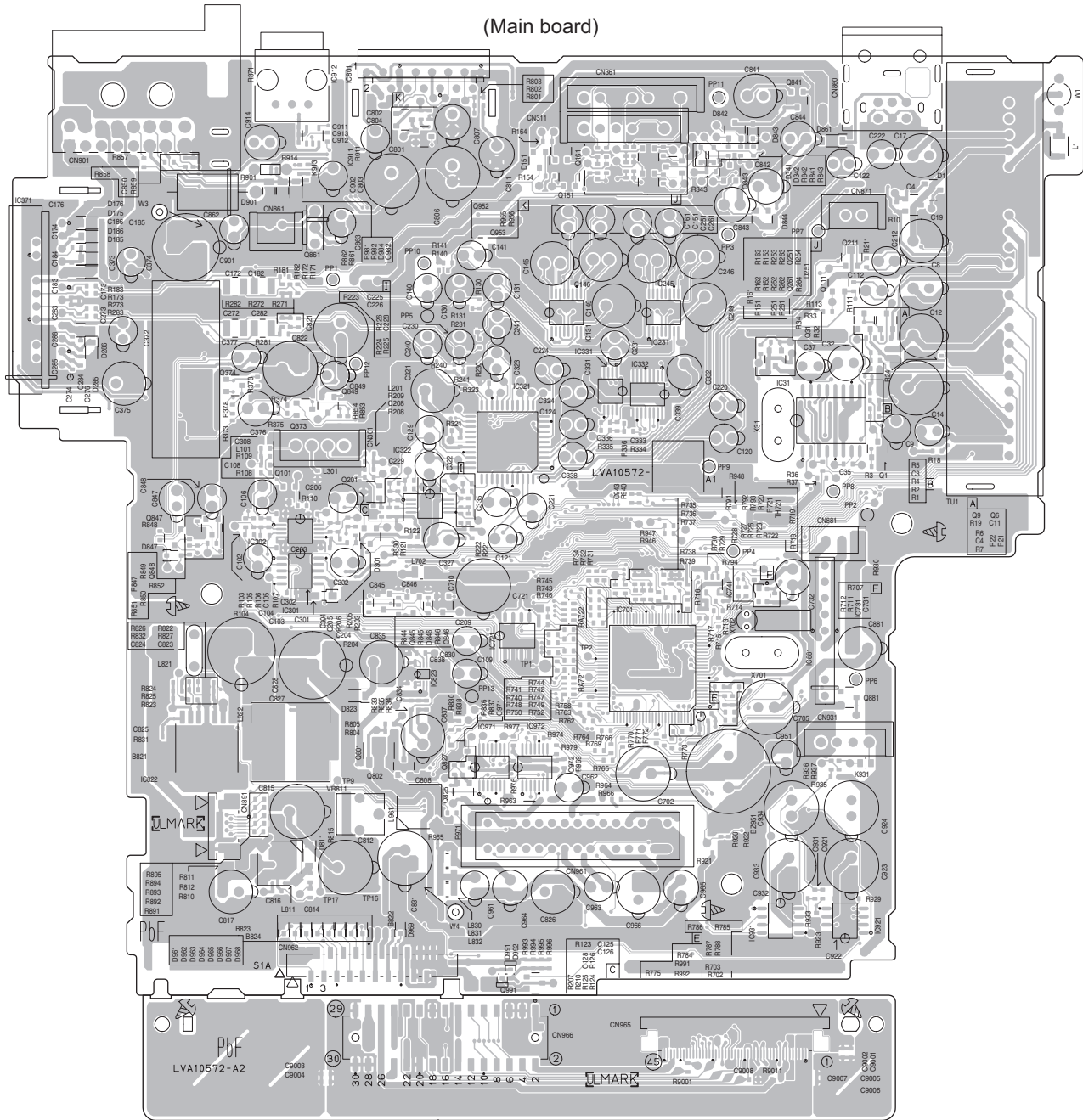
Printed circuit boards

■ Main board

Lead free solder used in the board (material : Sn-Ag-Cu, melting point : 219 Centigrade)

Forward side

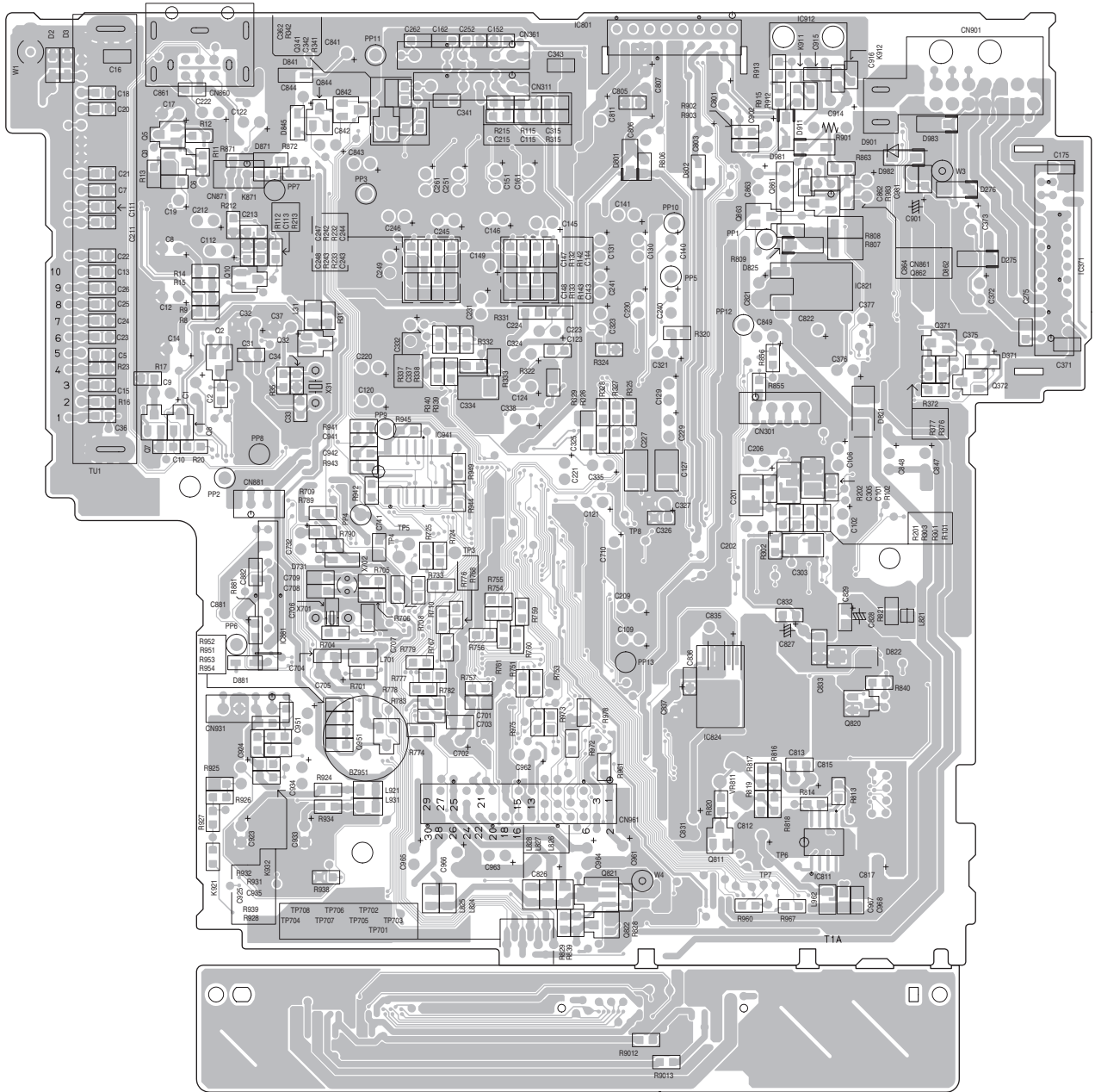
(Main board)



(Main sub board)

Reverse side

(Main board)

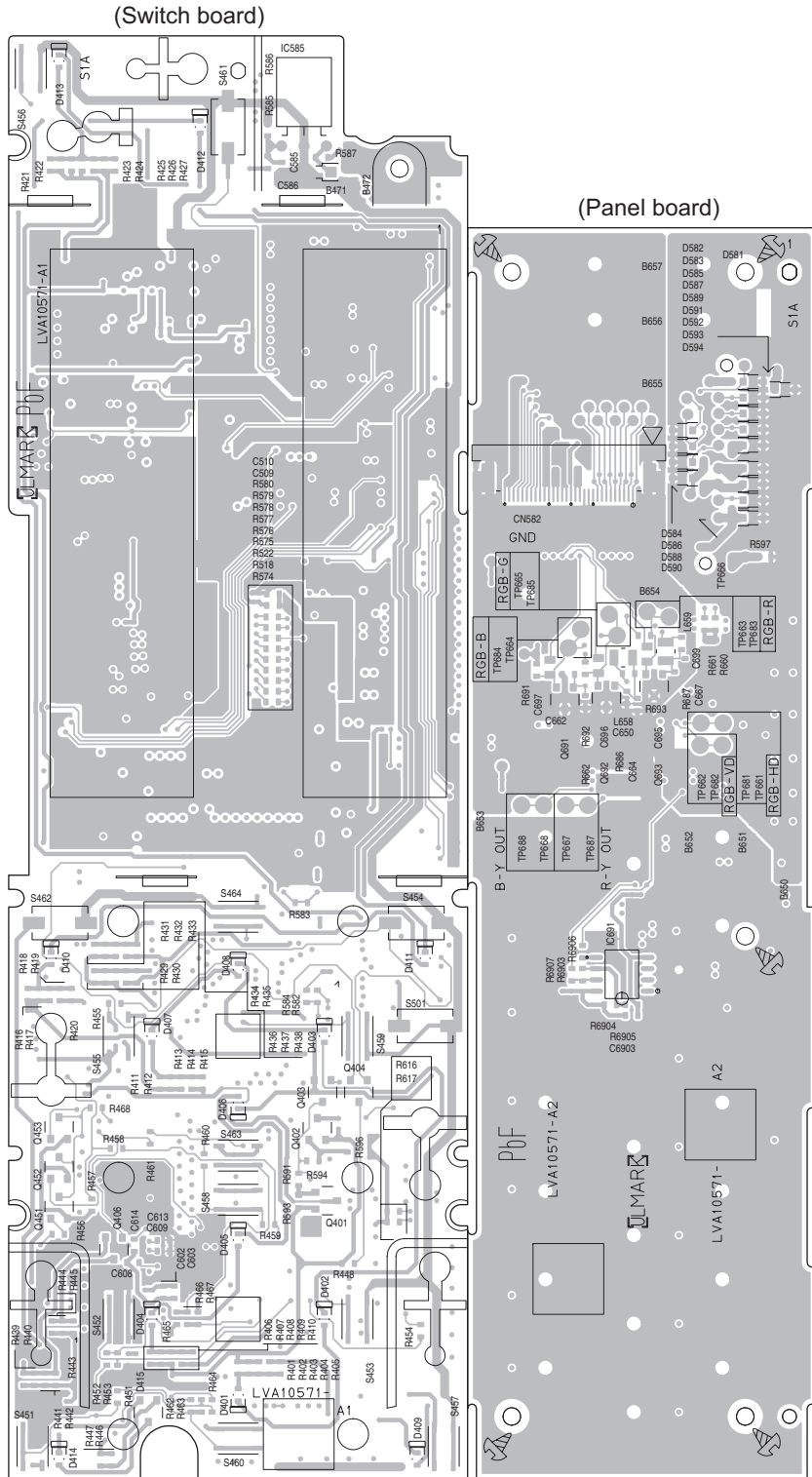


(Main sub board)

■ Panel board

Lead free solder used in the board (material : Sn-Ag-Cu, melting point : 219 Centigrade)

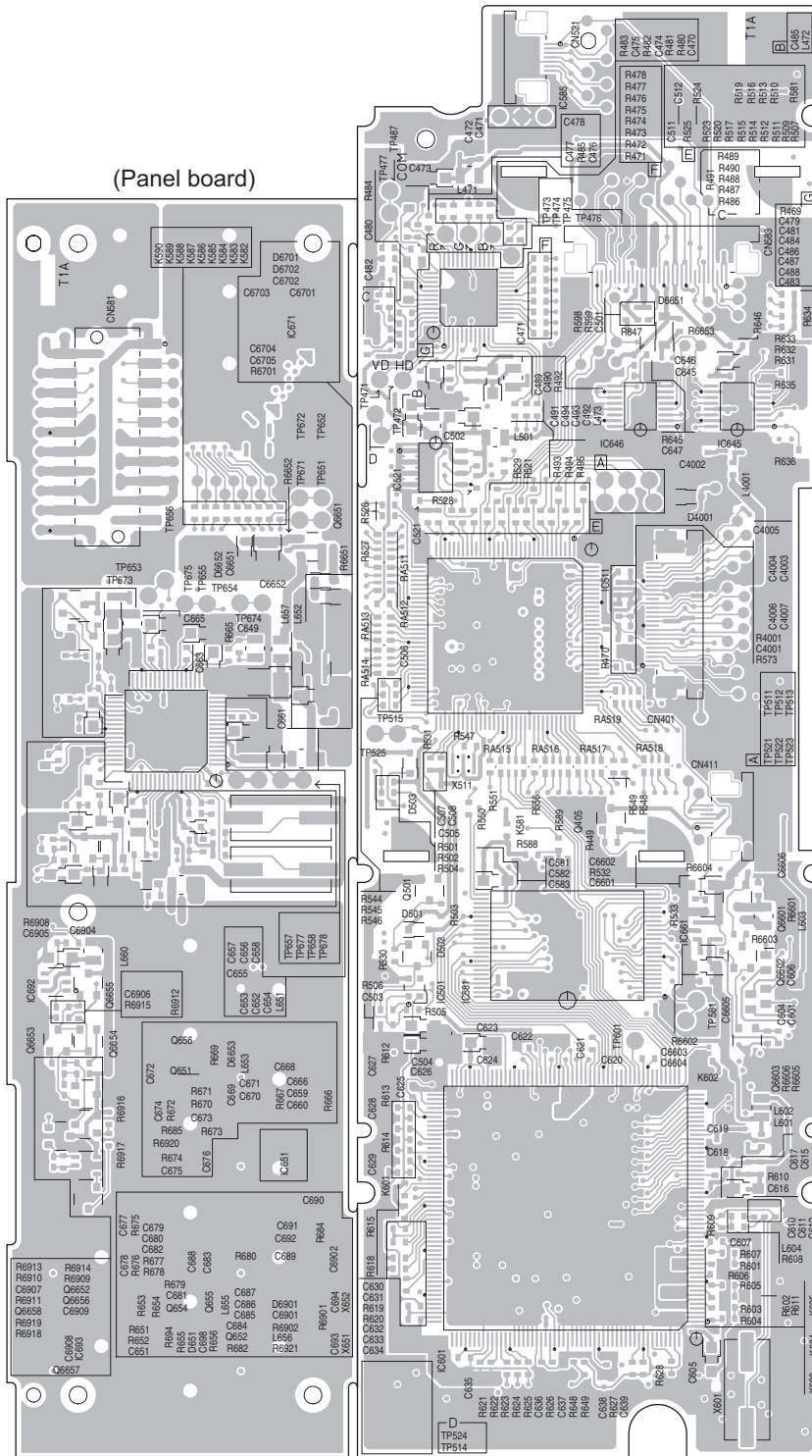
Forward side



Reverse side

(Switch board)

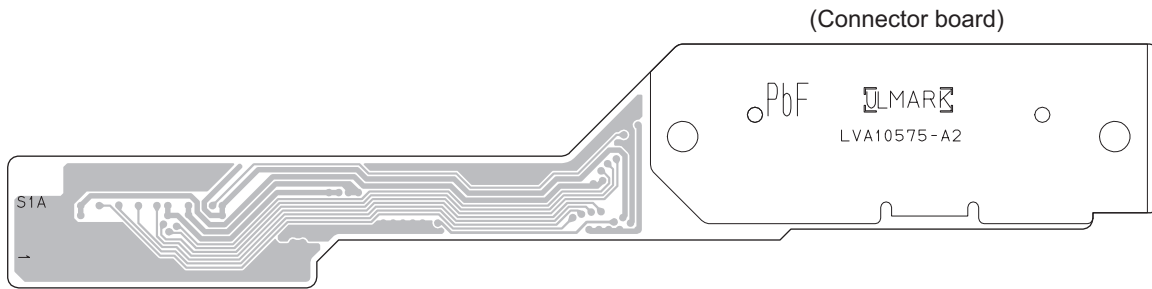
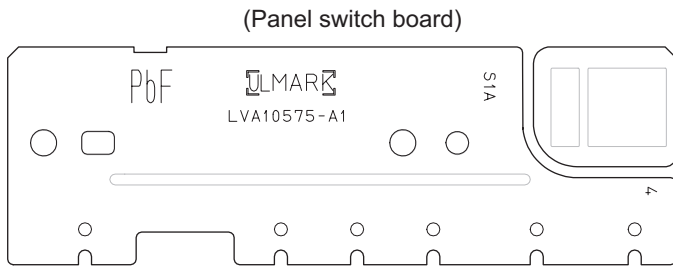
(Panel board)



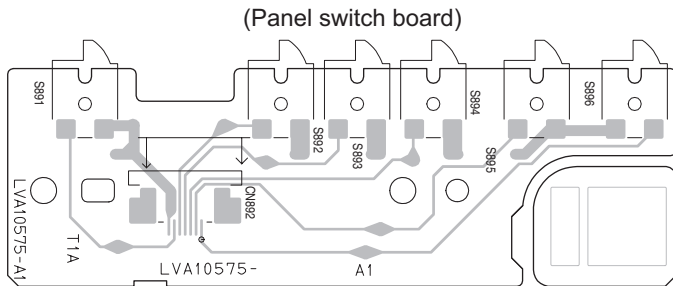
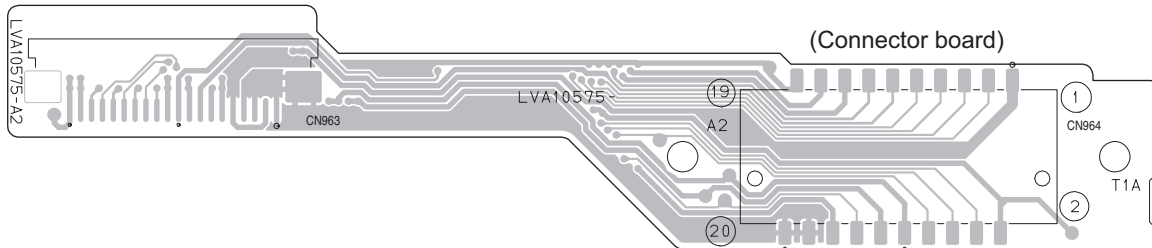
■ Connector board

Lead free solder used in the board (material : Sn-Ag-Cu, melting point : 219 Centigrade)

Forward side



Reverse side

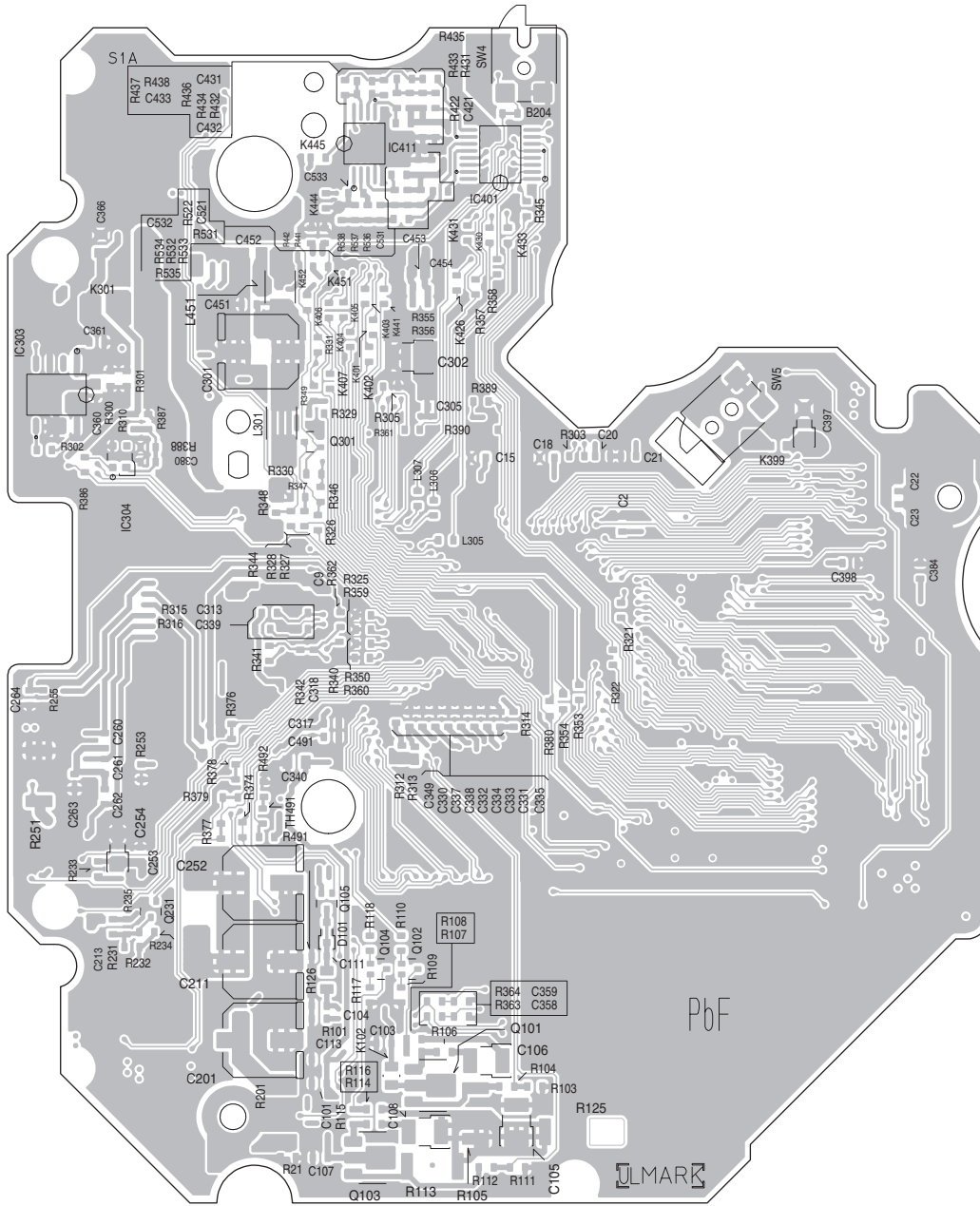


< MEMO >

■ Front end board

Lead free solder used in the board (material : Sn-Ag-Cu, melting point : 219 Centigrade)

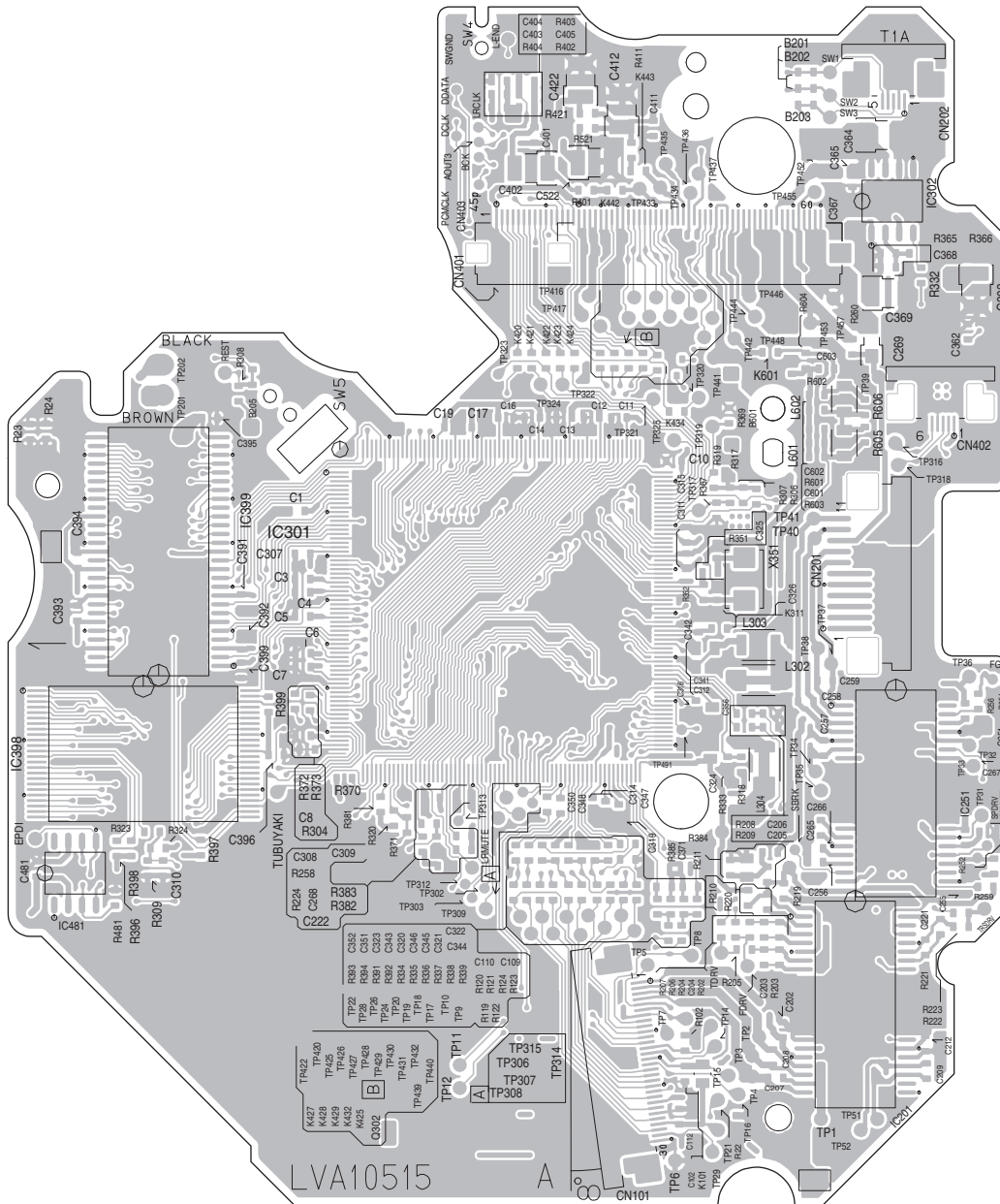
Forward side



■ Front end board

Lead free solder used in the board (material : Sn-Ag-Cu, melting point : 219 Centigrade)

Reverse side



JVC

Victor Company of Japan, Limited

AV & MULTIMEDIA COMPANY CAR ELECTRONICS CATEGORY 10-1, 1chome, Ohwatari-machi, Maebashi-city, 371-8543, Japan

(No.MA165SCH)



Printed in Japan
VPT