

## IMPORTANT SAFEGUARDS

**NOTE:** These are general definitions only; all may not pertain to the actual product purchased.

**DANGER:** Indicates an imminently hazardous situation which, if not avoided, will result in death or serious injury. Usage of this signal word is limited to the most extreme situations.

**WARNING:** Indicates potentially hazardous situation, which, if not avoided, may result in minor / moderate injury or product/ property damage. It also alerts against unsafe practices.

When using electrical products, always follow basic safety precautions including the following:



### READ ALL INSTRUCTIONS BEFORE USE.

#### **WARNING**

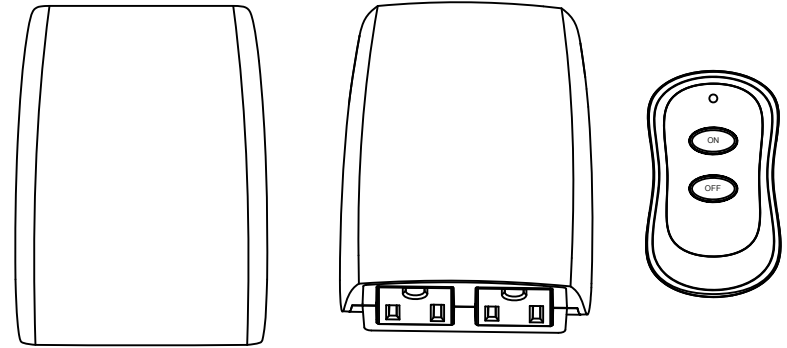
**Choking Hazard— Small parts.**  
Not for children under 3 years.

- ! WARNING--** To reduce the risk of fire, electric shock, or serious personal injury
- Do not immerse the product in liquids
  - This product is not intended for use by children and contains small parts that may pose a choking hazard to children under the age of three. Keep the product out of the reach of children and pets.
  - Do not use an electrical device or appliance with this product whose electrical specifications exceed those specified in the “Electrical Specifications” section of this manual.

- ! CAUTION--** To reduce the risk of personal injury or product/ property damage:
- This product is intended for non-commercial, non-industrial use in the remote control of two electrical outlets. Do not use this product for any other purpose.

#### SET UP

1. Plug receiver into a standard 125-volt AC electrical outlet.
2. Confirm that the electrical specifications of an item you wish to use with this product do not exceed those specified in the “Electrical Ratings” section. plug the item into an outlet of the receiver.
3. Remove the plastic battery tab from the battery compartment in the back of the remote control to activate the DC 12V Type A23 pre-installed battery.



#### ELECTRICAL RATINGS

Voltage	Frequency	Electronic Ballast	Tungsten	Amperage	Horse Power	Ballast
125VAC	60Hz	500VA	1000W	15A	1/2HP	120Vac 60Hz 8.3Ballast

RECEIVER MODEL #RC-022

TRANSMITTER MODEL #TR-015-1

FCC ID: PAGTR-015-1

#### TO USE

1. To set up the receiver (outlet) with connecting device.
2. Removes the plastic battery tab from the battery compartment in the back of the remote control to active the DC 12V Type A23 pre-installed battery.
3. To activate the receiver, press the “ON” button of the remote control.  
The red LED of the remote control will illuminate momentarily and the LED of the receiver will remain illuminated.
4. To turn the receiver OFF, press the “OFF” button of the remote control. The LED on the receiver will shut off.

#### Battery Handling and Usage

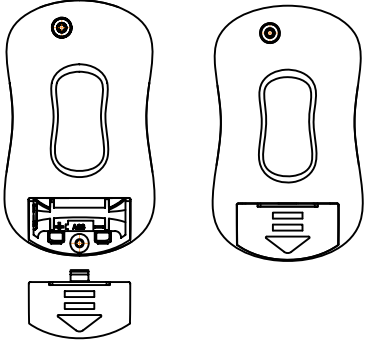
**WARNING:** Keep batteries away from children and pets.

- Follow the battery manufacturer’s safety and usage instructions.
- Insert the battery observing the proper polarity (+/-) as indicated inside the Battery Compartment.

**CAUTION:** Failure to properly align the battery polarity can cause personal injury and/or property damage.

- Remove a spent or discharged battery from the product. remove the battery when not using the product for an extended period.
- Never throw batteries into a fire. Do not expose batteries to fire or other heat sources.
- Battery contains mercury. Do not put in trash. Recycle or manage as hazardous waste.

## Battery Replacement



- Remove the Battery compartment cover from the back of the remote control by sliding the cover in the direction that its trends curve.
- Remove the spent battery and place a new DC 12V Type A23 battery into the Battery Compartment correctly observing the polarity indications (+/-) inside the Battery Compartment.
- Replace the Battery Compartment Cover.

## Federal Communications Commission Interference Statement

This equipment has been tested and found to comply with the limits for Class B digital device, pursuant to part 15 of the FCC Rules. These limits are designed to provide reasonable protection against harmful interference in a residential installation. This equipment generates, uses and can radiate radio frequency energy and, if not installed and used in accordance with the instructions, may cause harmful interference to radio or television reception, which can be determined by turning the equipment off and on, the user is encouraged to try to correct the interference by one or more of the following measures:

- Reorient or relocate the receiving antenna.
- Increase the separation between the equipment and the receiver.
- Connect the equipment into an outlet on a circuit different from that to which the receiver is connected.
- Consult the dealer or an experienced radio/TV technician for help."

This device complies with Part 15 of the FCC Rules.

Operation is subject to the following two conditions:

- (1) This device may not cause harmful interference, and
- (2) this device must accept any interference received, including interference that may cause undesired operation of the device.

FCC Caution: Any changes or modifications not expressly approved by the party responsible for compliance could void the user's authority to operate this equipment.

This device and its antenna(s) must not be co-located or operating in conjunction with any other antenna or transmitter.