

## 8. SPECIFICATION

<b>Power Source</b>	DC 12.5V
<b>System</b>	NTSC
<b>Available Channels</b>	VHF 2~13/UHF 14~69
<b>Operating Temp</b>	14 ~ 122 Fahrenheit degree
<b>Storage Temp</b>	- 4 ~ 122 Fahrenheit degree
<b>Display Type</b>	7 Inch TFT-LCD
<b>Scanning Line</b>	1440(H)X234(V)
<b>Dot pitch</b>	0.108(H) X 0.375(V) (mm)
<b>Luminance</b>	300cd / m <sup>2</sup>
<b>Viewing Angle</b>	+45 to ~ -65degrees (V)/ +65 ~ -65degrees (H)
<b>Current Consumption</b>	8 W
<b>Features</b>	1 × External Antenna Input 2 × AV Input 1 × DC 12.5V Input 1 × Earphone Output Wireless Remote Control
<b>Dimensions</b>	7.3 X 4.9 X 1.1 Inch
<b>Net Weight</b>	550 gram / 1.21 pounds

Form Number 128-6526

# OWNER'S MANUAL

## 7" PORTABLE TFT LCD TV

### MM70TV



- 16:9 WIDE TFT LCD COLOR DISPLAY
- BUILT-IN PLL TUNER
- HIGH-DEFINITION LCD DISPLAY
- PICTURE ROTATION AND REVERSE IMAGE CONTROL
- FULL FUNCTION REMOTE CONTROL
- ON SCREEN DISPLAY
- 2 AV INPUTS AND 1 EARPHONE OUTPUT

THE MANUFACTURER IS NOT RESPONSIBLE FOR ANY RADIO OR TV INTERFERENCE CAUSED BY UNAUTHORIZED MODIFICATIONS TO THIS EQUIPMENT. SUCH MODIFICATIONS COULD VOID THE USER'S AUTHORITY TO OPERATE THE EQUIPMENT.

# 1. INTRODUCTION

THE MM70TV SET IS A FULL-FEATURED 7" TFT LCD COLOR TV/MONITOR MOBILE ENTERTAINMENT SYSTEM.

- HIGHLY SENSITIVE BUILT-IN PLL SYNTHESIZED TV TUNER
- QUICK AUTO SCAN AND MEMORY FUNCTION
- FULL ON SCREEN DISPLAY FUNCTION
- 2 A/V INPUTS
- 1 EARPHONE OUTPUT
- EXTERNAL DIVERSITY ANTENNA INPUT
- HIGHLY RESOLUTION, BRIGHT ACTIVE 7" TFT LCD PANEL SCREEN
- FULL FUNCTIONAL INFRARED REMOTE CONTROL
- SLIM AND STYLISH DESIGN
- SCREEN NOISE REDUCTION(BLUE BACK SCREEN)
- LOW POWER CONSUMPTION
- 0.8W INTERNAL SPEAKER
- AUTO ON AND OFF TIMER
- FM MODULATOR FOR RECEPTION ON FM RECEIVER(TV ONLY)

# 2. SAFETY PRECAUTIONS

## SAFETY PRECAUTIONS

### WARNING

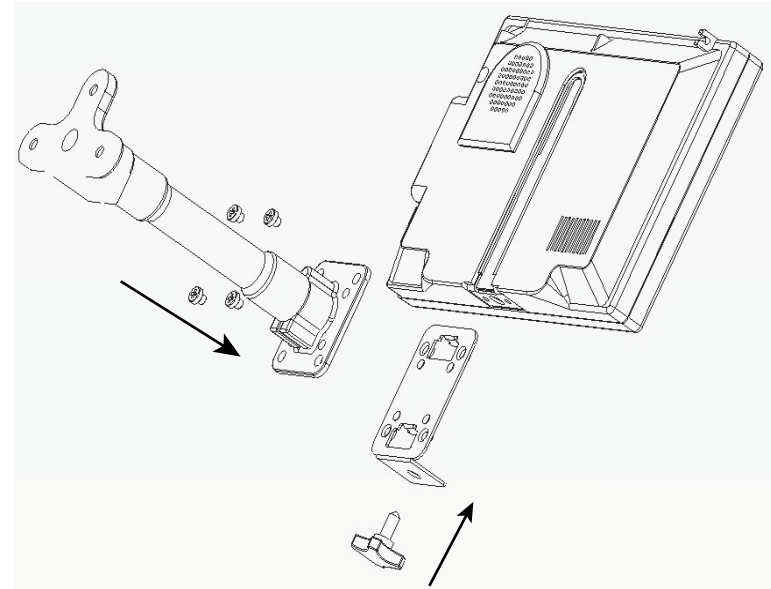
(Improper handling may result in serious injury)

- Don't operate the monitor while driving. Ignoring traffic may cause a car accident.
- Don't install the monitor on a place where it obstructs the driver's view or near an airbag device.
- Don't attempt to service this product by yourself.
- Keep liquid away from the unit to avoid possible electric shock or damage.
- Don't recharge the batteries of the remote control.

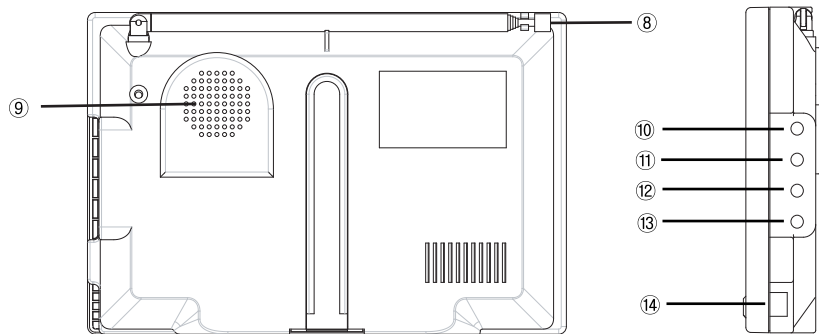
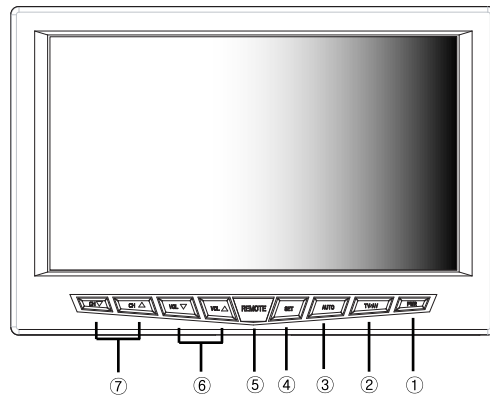
### CAUTION

- Adjust the volume to a moderate level so that noise can be heard while driving.
- Wating TV or Video while the car's engine for long periods may drain the car battery.
- Avoid from direct heat or moisture when installing this unit.
- Don't open the monitor body to avoid electric shock.
- When changing fuse or battery, use the same type to avoid malfuction.

# 3. CONNECTING THE GOOSENECK BRACKET



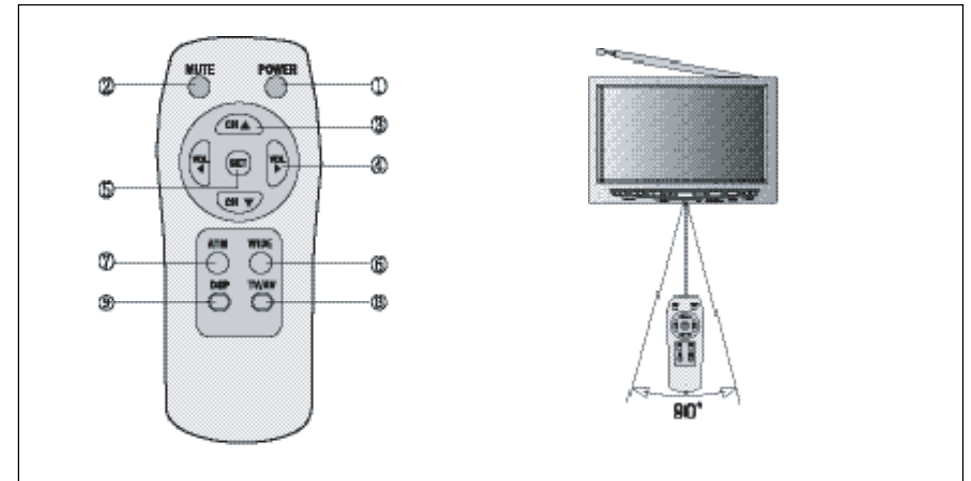
## 4. NAMES AND FUNCTIONS OF TV UNIT



BACKSIDE LAYOUT

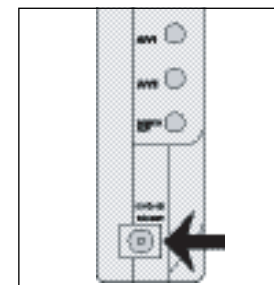
- |                   |                       |
|-------------------|-----------------------|
| ① POWER ON/OFF    | ② TV/AV SELECTION     |
| ③ AUTO MEMORY     | ④ MENU                |
| ⑤ REMOTE SENSOR   | ⑥ VOLUME UP/DOWN      |
| ⑦ CHANNEL UP/DOWN | ⑧ ANTENNA             |
| ⑨ SPEAKER         | ⑩ EXT. ANTENNA INPUT  |
| ⑪ AV OUT 1        | ⑫ AV OUT 2            |
| ⑬ EARPHONE OUT    | ⑭ POWER INPUT (DC12V) |

## 5. NAMES AND FUNCTIONS OF REMOTE CONTROL



- ① **POWER BUTTON**
- ② **MUTE** - to remove sound
- ③ **CHANNEL** - to select desired channel
- ④ **VOLUME** - to increase or decrease volume
- ⑤ **MENU SET** - to control the details of display functions
- ⑥ **WIDE** - to control display mode(wide-full-cinema-normal)
- ⑦ **AP** - channel auto memory function (for TV)
- ⑧ **TV/AV** - select video input source
- ⑨ **DSP** - show present channel or vise verse

## 6. CONNECTING TO THE POWER SUPPLY

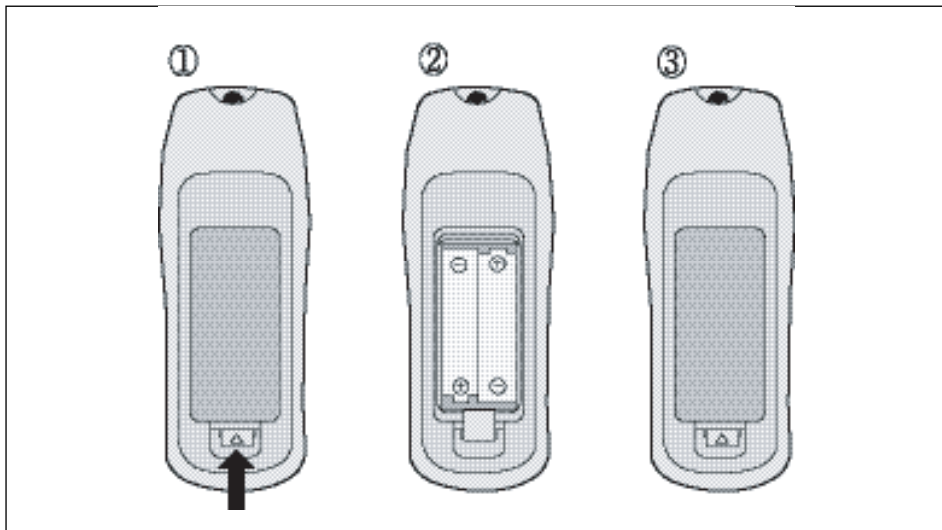


- USE CAR DC POWER CORD OR 12V AC ADAPTER FOR HOME USE.
- WHEN CONNECTING TO POWER SOURCE, BE SURE TO CONNECT TIGHTLY.
- USE PROPER DC CORD OR AC ADAPTER SUPPLIED OR RECOMMENDED BY THE SUPPLIER.
- INADEQUATE POWER SUPPLY MAY CAUSE MALFUNCTION.

## 5. CHANGING THE BATTERIES

### CHANGING THE BATTERIES

IF THE REMOTE CONTROLLER DOES NOT WORK, CHANGE THE BATTERIES.  
BATTERIES USUALLY LAST ONE YEAR DEFENDING ON USE.



- ① Open the rear cover in the direction of the arrow.
- ② Place batteries in the control. Observe battery polarity.
- ③ Replace the battery cover.

### ※ **Caution Using Batteries**

- Uses (2) 1.5V(AAA) Batteries.
- Keep out of reach from children.
- Do not recharge or short.
- Battery leakage could cause malfunction.

## 8. MONITOR FUNCTIONS

(PRESS SET BUTTON ON THE REMOTE CONTROL TO ENTER THE FOLLOWING SETTINGS)

USE (◀/▶)BUTTONS OF REMOTE CONTROL TO MOVE BETWEEN HORIZONTAL MENU

USE (▲/▼)BUTTONS OF REMOTE CONTROL TO MOVE BETWEEN VERTICAL MENU

