

# ROADCHECK

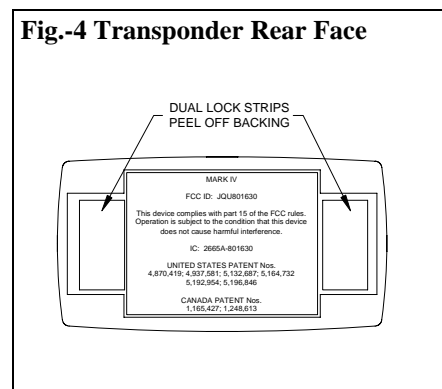
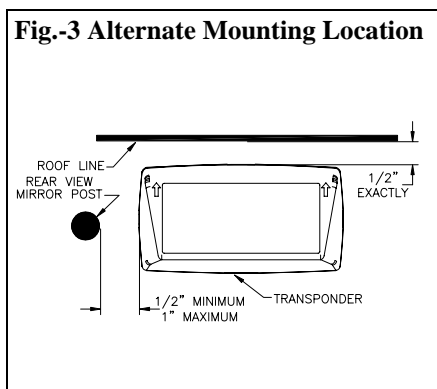
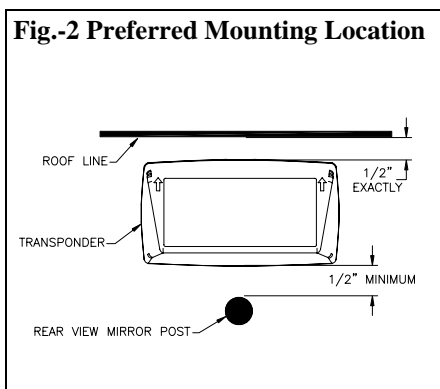
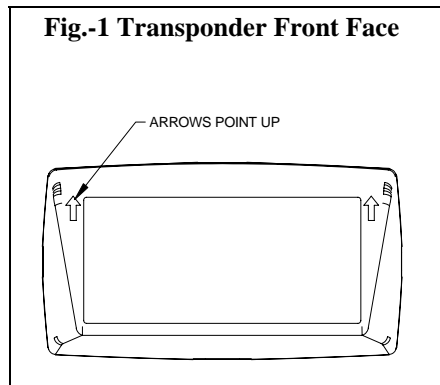
Short Range Vehicle-to-Roadside Communications Equipment for Automatic Vehicle Identification

## G4 Interior Transponder Mounting Instructions

for car interior on windshield

**For proper operation, make sure the transponder is mounted as follows:**

1. Identify the front face of the transponder. It displays your agency label and two upward-pointing arrows. (Fig.-1) This side faces the driver with the arrows pointing toward the roof of your vehicle.
2. Identify the position in your vehicle in which the transponder will be mounted. The preferred location is between the exposed edge of the windshield (roofline) and the rear view mirror post—as long as the clearances in Fig.-2 can be maintained. If there is insufficient room, the alternate location shown in Fig.-3 must be used.
3. Having determined the mounting position in your vehicle, clean the inside surface of that section of the windshield if necessary. Now carefully remove the protective backing from the Dual Lock™ mounting strips on the rear of the transponder as shown in Fig. 4 and firmly press the rear of the transponder against the glass. Maintain the pressure for about 15 seconds to achieve a good bond.



The transponder may be removed by lifting any one corner with sufficient pressure to separate the Dual Lock™ strips. Do not remove the Dual Lock™ from the windshield and reuse it; obtain new strips from your service center if necessary.

