

5F62041



# LIGHTNING STRIKER

## Contents

- Vehicle x 1
- Transmitter x 1
- Antenna for transmitter x 1
- Instruction manual x 1

## Battery Precaution

- Alkaline batteries are recommended to be used
- Only batteries of the same or equivalent type as recommended are to be used
- Do not mix alkaline, standard or rechargeable batteries
- Do not mix old and new batteries or different type of batteries
- Non-rechargeable batteries are not to be charged
- If rechargeable batteries are to be used, they are only to be charged under adult supervision
- Rechargeable batteries are to be removed from the product before they are charged
- Be sure to insert batteries with correct polarities and always follow the battery manufacturer's instructions
- Remove all batteries from the Vehicle and Transmitter when not in use
- Exhausted batteries are to be removed from the product
- The supply terminals are not to be short-circuited
- Dispose of batteries properly. Do not dispose the batteries in fire – it may cause them to explode or leak causing injury or damage
- Battery installation and removal must only be done by adult

## Battery Requirements

- Vehicle: 4 x 1.5V "AA/LR6" batteries (Not Included)
- Transmitter: 1 x 9V/6LR61 battery (Not Included)



(See Fig.1)

- ON/OFF switch.
- Battery compartment door.
- Unscrew the lock at the bottom of car to release battery compartment and replace batteries following the correct polarities.
- Battery compartment.

## Battery and Antenna Installation

- Switch OFF the power.
- Using a screwdriver (not included), unscrew the screw on the battery compartment.
- Release the battery compartment.
- Install 4 new 1.5V "AA/LR6" batteries with correct polarities (+/-) as shown inside the battery compartment.
- Replace the battery compartment.
- Tighten the screw using the screwdriver to lock battery compartment securely.

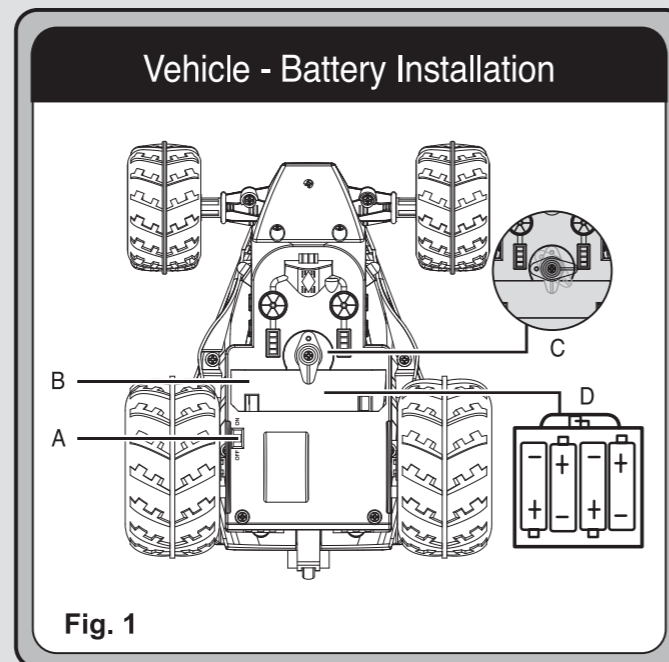


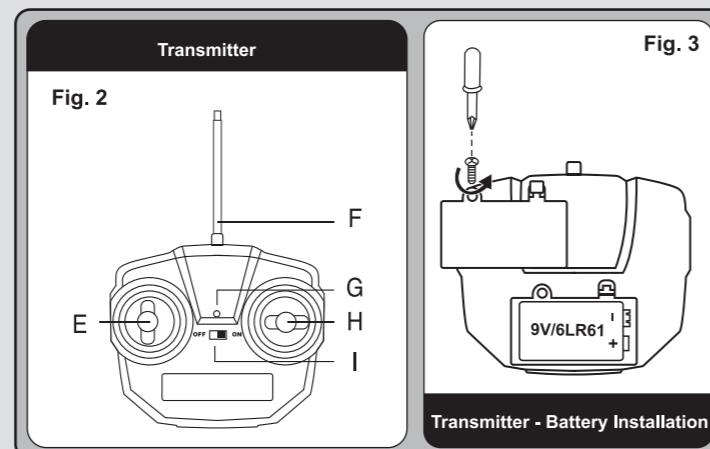
Fig. 1

(See Fig. 2 and Fig.3)

- Forward / Backward
- Transmitter Antenna
- LED Battery Indicator
- Left / Right
- OFF / ON

## For Transmitter

- Switch OFF the power
- Using a screwdriver (not included), remove the screw on the battery cover.
- Open the battery compartment cover
- Install 1 new 9V/6LR61 battery with correct polarity (+/-) as shown inside the battery compartment
- Close the battery compartment cover
- Insert the screw and securely tighten using the screwdriver.
- Insert the antenna into the top of transmitter, tighten it by rotating clockwise (viewing from top of transmitter)



## How to Play

- Switch ON the vehicle and the transmitter
- Use the Forward/ Backward joystick (Fig.2) to drive the vehicle forward and backward
- Use the Forward/ Backward joystick (Fig.2) to keep driving the vehicle forward and backward rapidly in order to make the vehicle's head up (Fig.4)
- Use the Left/ Right joystick (Fig. 2) to control the front wheels of the vehicle spinning in 360 degree (Fig.5)
- Play on the smooth surface to have the optimum performance
- Remember to switch OFF the power of the vehicle and transmitter after playing
- The optimum control range is up to 10 metres outdoors

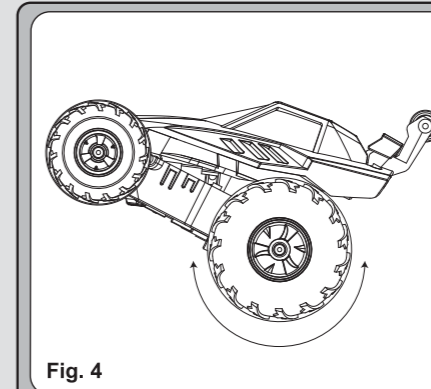


Fig. 4

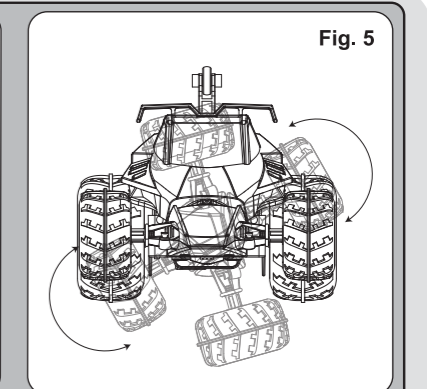


Fig. 5

## Performance Tips

- Do not drive on grass, dirt, sand, dusts, carpet or go through water
- Do not drive in windy or rainy weather
- Avoid direct impact the Vehicle with obstacles
- Switch OFF the power when not in use to prevent damage of Vehicle and Transmitter due to leakage of electrolyte from batteries
- Remove all batteries from the Vehicle and Transmitter when not in use for long period
- Keep fingers, hair and loose clothing away from wheels
- The operating range can be affected by a variety of factors
  - Low Voltage of batteries in Transmitter or Vehicle
  - Interference from other items that emit radio frequency signals
- Outdoor usage is recommended in order to get optimum control range
- Recommend to play the vehicle on a clean and smooth surface
- Clean the battery compartment to make sure it is free from dust to prevent poor contact of batteries

## Cautions

- Do not attempt to disassemble the Vehicle or Transmitter
- Do not operate the Vehicle with same frequency with other player(s) in same location that will interfere and make the Vehicle out of control.
- Make sure the batteries are installed with correct polarities (+/-) as shown inside the battery compartment
- Remove the package and take out all accessories before giving the Vehicle and Transmitter to child to play

## FCC label compliance statement:

This device complies with part 15 of the FCC rules. Operation is subject to the following two conditions:

- This device may not cause harmful interference, and
- This device must accept any interference received, including interference that may cause undesired operation. Note: This equipment has been tested and found to comply with the limits for a Class B digital device, pursuant to Part 15 of the FCC Rules. These limits are designed to provide reasonable protection against harmful interference in a residential installation. This equipment generates, uses and can radiate radio frequency energy and, if not installed and used in accordance with the instructions, may cause harmful interference to radio communications. However, there is no guarantee that interference will not occur in a particular installation. If this equipment does cause harmful interference to radio or television reception, which can be determined by turning the equipment off and on, the user is encouraged to try to correct the interference by one or more of the following measures:
  - Reorient or relocate the receiving antenna
  - Increase the separation between the equipment and receiver
  - Connect the equipment into an outlet on a circuit different from that to which the receiver is connected
  - Consult the dealer or an experienced radio/TV technician for help

Warning: Changes or modifications to this unit not expressly approved by the party responsible for compliance could void the user's authority to operate the equipment.

## RSS-310 Compliance Statement:

This device complies with Industry Canada Licence-exempt RSS-310. Operation is subject to the following two conditions: (1) this device may not cause interference, and (2) this device must accept any interference, including interference that may cause undesired operation of the device.

## Declaration of Conformity

The product is in conformity with the requirement of EU Directive 1999/5/EC

## Environmental notes:

The whole product also does not belong to household waste at the end of the product life. You can return it at collection points for the recycling of electronic and electrical instruments. The symbol on the item, instruction manual, hangtag or packing is showing this clearly. Materials should be recycled according to their respective markings. Recycling of old devices or other re-use of materials contained therein represents an important contribution to environmental protection. Please ask at your local community for the correct collection point. Please retain this sheet and address for future use, as they contain important information.

## Disposal of batteries

Batteries should not be disposed of in the household waste. As the consumer you are legally obliged to return batteries containing harmful substances and all other used batteries. You can hand in your old batteries at public collection points in your area or wherever batteries are sold. You will find these chemical abbreviations along with a crossed-out refuse bin on batteries containing harmful substances:  
 Pb=Battery contains lead  
 Cd=Battery contains cadmium  
 Hg=Battery contains mercury

The packaging and instruction manual contain important information.

Please keep them for future reference.

Warning! Choking Hazard. Not suitable for children under the age of 3 years due to small parts.

We reserve the right to improve/amend specifications and colors without notice.

Warning! The Antenna of vehicle is not to be inserted into socket outlets.



## CAUTION:

Remove all tags, twist-ties and plastic loops before giving toy to child.

## CONFORMS TO THE SAFETY REQUIREMENTS OF ASTM F963.

Do not mix old and new batteries. Do not mix alkaline, standard (carbon-zinc), or rechargeable batteries.

Contents and colors may vary.

FAST LANE IS A MARK OF (EST UNE MARQUE DE/ES UNA MARCA DE) GEOFFREY, LLC, A SUBSIDIARY OF (UNE FILIALE DE/UNA SUBSIDIARIA DE) TOYS "R" US, INC.

© 2014 GEOFFREY, LLC

MADE IN CHINA (FABRIQUÉ EN CHINE/FABRICADO EN CHINA)

DISTRIBUTED IN THE UNITED STATES BY (DISTRIBUÉ AUX ÉTATS-UNIS PAR/DISTRIBUIDO EN LOS ESTADOS UNIDOS POR) TOYS "R" US, INC., WAYNE, NJ 07470

IMPORTED BY (IMPORTÉ PAR/IMPORTADO POR)

TOYS "R" US (CANADA) LTD. (LTÉE), 2777 LANGSTAFF ROAD, CONCORD, ON L4K 4M5

DISTRIBUTED IN AUSTRALIA BY (DISTRIBUÉ EN AUSTRALIE PAR/DISTRIBUIDO EN AUSTRALIA POR)

TOYS "R" US (AUSTRALIA) (AUSTRALIE) PTY LTD.(LTÉE), REGENTS PARK NSW 2143

www.toysrus.com www.toysrus.ca

