

DIGITAL TV

OWNER'S MANUAL

LT42U52P

**Please read this manual carefully before operating your set.
Retain it for future reference.**

|

|

—

|

|

—

WARNING / CAUTION



WARNING/CAUTION
RISK OF ELECTRIC SHOCK
DO NOT OPEN



TO REDUCE THE RISK OF ELECTRIC SHOCK DO NOT REMOVE COVER (OR BACK). NO USER SERVICEABLE PARTS INSIDE. REFER TO QUALIFIED SERVICE PERSONNEL.



The lightning flash with arrowhead symbol, within an equilateral triangle, is intended to alert the user to the presence of uninsulated “dangerous voltage” within the product’s enclosure that may be of sufficient magnitude to constitute a risk of electric shock to persons.



The exclamation point within an equilateral triangle is intended to alert the user to the presence of important operating and maintenance (servicing) instructions in the literature accompanying the appliance.

WARNING/CAUTION

TO REDUCE THE RISK OF FIRE AND ELECTRIC SHOCK, DO NOT EXPOSE THIS PRODUCT TO RAIN OR MOISTURE.

NOTE TO CABLE/TV INSTALLER

This reminder is provided to call the CATV system installer’s attention to Article 820-40 of the National Electric Code (U.S.A.). The code provides guidelines for proper grounding and, in particular, specifies that the cable ground shall be connected to the grounding system of the building, as close to the point of the cable entry as practical.

CAUTION

Do not attempt to modify this product in any way without written authorization from the dealer. Unauthorized modification could void the user’s authority to operate this product.

WARNING / CAUTION

To prevent fire or shock hazards, do not expose this product to rain or moisture.

FCC NOTICE

Class B digital device

This equipment has been tested and found to comply with the limits for a Class B digital device, pursuant to Part 15 of the FCC Rules.

These limits are designed to provide reasonable protection against harmful interference in a residential installation.

This equipment generates, uses and can radiate radio frequency energy and, if not installed and used in accordance with the instructions, may cause harmful interference to radio communications.

However, there is no guarantee that interference will not occur in a particular installation.

If this equipment does cause harmful interference to radio or television reception, which can be determined by turning the equipment off and on, the user is encouraged to try to correct the interference by one or more of the following measures:

- Reorient or relocate the receiving antenna.
- Increase the separation between the equipment and receiver.
- Connect the equipment to an outlet on a circuit different from that to which the receiver is connected.
- Consult the dealer or an experienced radio/TV technician for help.

Caution

Changes or modification not expressly approved by the party responsible for compliance could void the user's authority to operate the equipment.

On Disposal

- a. The fluorescent lamp used in this product contains a small amount of mercury.
- b. Do not dispose of this product with general household waste.
- c. Disposal of this product must be carried out in accordance to the regulations of your local authority.

Important Safety Instructions

1. Read these instructions.
2. Keep these instructions.
3. Heed all warnings.
4. Follow all instructions.
5. Do not use this apparatus near water.
6. Clean only with dry cloth.
7. Do not block any ventilation openings.
Install in accordance with the manufacturer's instructions.
8. Do not install near any heat sources such as radiators, heat registers, stoves, or other apparatus (including amplifiers) that produce heat.
9. Do not defeat the safety purpose of the polarized or grounding-type plug. A polarized plug has two blades with one wider than the other. A grounding type plug has two blades and a third grounding prong. The wide blade or the third prong are provided for your safety. If the provided plug does not fit into your outlet, consult an electrician for replacement of the obsolete outlet.
10. Protect the power cord from being walked on or pinched particularly at plugs, convenience receptacles, and the point where they exit from the apparatus.
11. Only use attachments/accessories specified by the manufacturer.
12. Use only with the cart, stand, tripod, bracket, or table specified by the manufacturer, or sold with the apparatus. When a cart is used, use caution when moving the cart/apparatus combination to avoid injury from tip-over.



13. Unplug this apparatus during lightning storms or when unused for long periods of time.
14. Refer all servicing to qualified service personnel. Servicing is required when the apparatus has been damaged in any way, such as power-supply cord or plug is damaged, liquid has been spilled or objects have fallen into the apparatus, the apparatus has been exposed to rain or moisture, does not operate normally, or has been dropped.
15. Do not expose this apparatus to dripping or splashing and ensure that no objects filled with liquids, such as vases, are placed on the apparatus.

Important Safety Instructions

16. To completely disconnect this apparatus from the AC Mains, disconnect the mains plug from the AC receptacle.
17. The mains plug of the power supply cord shall remain readily operable.
18. This apparatus shall be connected to a Mains socket outlet with a protective earthing connection.

NOTE

Prolonged use of headphones at a high volume may cause health damage on your ears.



The lightning flash with arrowhead symbol within an equilateral triangle, is intended to alert the user to the presence of uninsulated "dangerous voltage " within the product's enclosure that may be of sufficient magnitude to constitute a risk of electric shock to persons.



The exclamation point within an equilateral triangle is intended to alert the user to the presence of important operating and maintenance (servicing) instructions in the literature accompanying the product.

WARNING: To reduce the risk of fire or electric shock, do not expose this apparatus to rain or moisture.

Contents

WARNING / CAUTION	3-4
Important Safety Instructions	5-6
Contents	7-8
Accessories	9
Supplied Accessories	9
Installing Batteries	9
Controls And Connectors	10-13
Front Panel	10
Rear Panel	11
Remote Control	12-13
Installation	14
Wall mount Installation	14
Desktop Pedestal Installation	14
Connections	15-24
Antenna Connection	15
VCR Connection	16-17
DVD Connection	18-19
HDSTB Connection	20-21
External A/V Source	22
Digital Audio Out	22
PC Connection	23
Resolution	24
Basic Operation	25-26
Turning On or Off	25
Channel Selection	25
Volume Adjustment	25
Sound Mute	25
Quick View	25
Input Selection	26
Language Selection	26
On Screen Menus	27
Setting up TV Channel	28-30
Auto Scan	28
Add/Delete Channel	29
EPG(Electronic Program Guide)	30
Picture Controls	31-33
Auto Picture Controls	31
Manual Picture Controls	32
Color Temperature	33
Advanced Video	34-39
Dynamic Noise Reduction	34
Black Level Extender	35
White Peak Limiter	36

Contents

CTI(Color Transient Intensity)	37
Flesh Tone	38
Adaptive Luma Control	39
Sound Controls	40-43
Auto Sound Controls	40
Manual Sound Controls	41
Digital Output	42
Auto Volume Control	43
Stereo/SAP Broadcast Setup	43
Time Setting	44-48
Time Zone Setting	44
Auto Time Setting	45
Manual Time Setting	46
Auto On/Off Time Setting	47
Sleep Timer	48
Captions	49-51
Closed Caption-Analog	49
Closed Caption-Digital	50
Closed Caption Options	51
Reset	52
Reset Default	52
Parental Control	53-61
Enter your password	53
Set Password	53
Rating Enable/Disable	54
TV Ratings for USA	55-56
Movie Ratings	57
TV Rating English for Canada	58
TV Rating French for Canada	59
Downloadable Rating	60
Clean All	61
Setting the PC Mode	62-66
Auto Picture Controls	62
Manual Picture Controls	63
Color Temperature	64
Auto Adjustment	65
Manual Adjustment	66
Special Functions	67
Picture Format	67
Specification	68
Troubleshooting	69

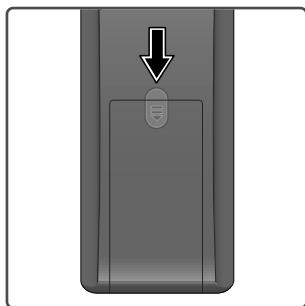
Accessories

Supplied Accessories

Ensure that the following accessories are included with your product.
If an accessory is missing, please contact the dealer where you purchased the product.
User must use shielded signal interface cables with ferrite cores to maintain standard compliance for the product.

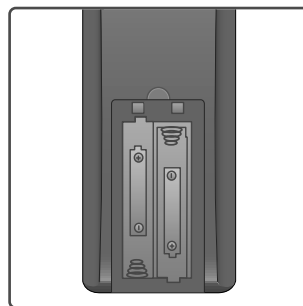
1. Remote
2. Batteries
3. Power Cord
4. Owner's Manual

Installing Batteries



1

Open the battery cover on the back side.



2

Insert two batteries in correct polarity, match (+ with +), and match (- with -).
Don't mix old batteries with new batteries.

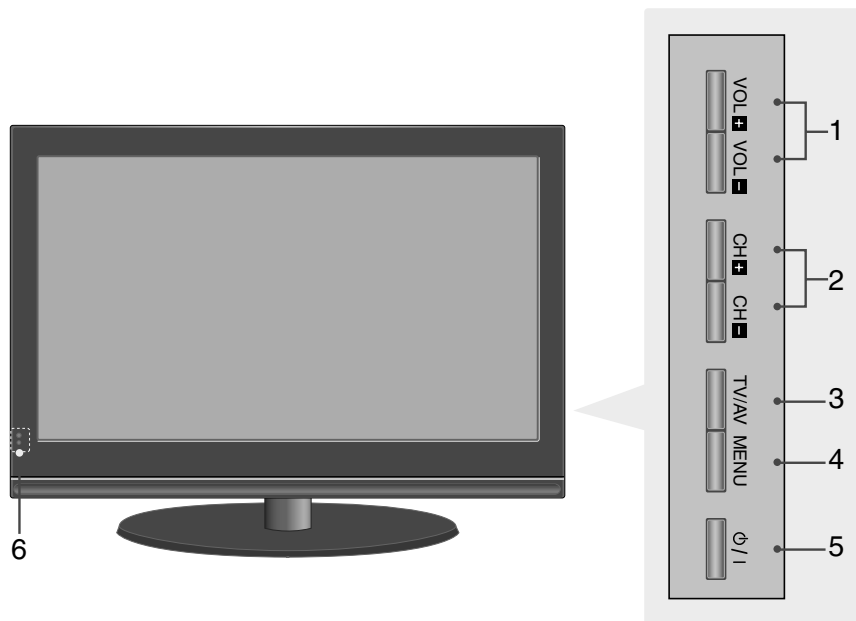


3

Close the battery cover.

Controls And Connectors

Front Panel



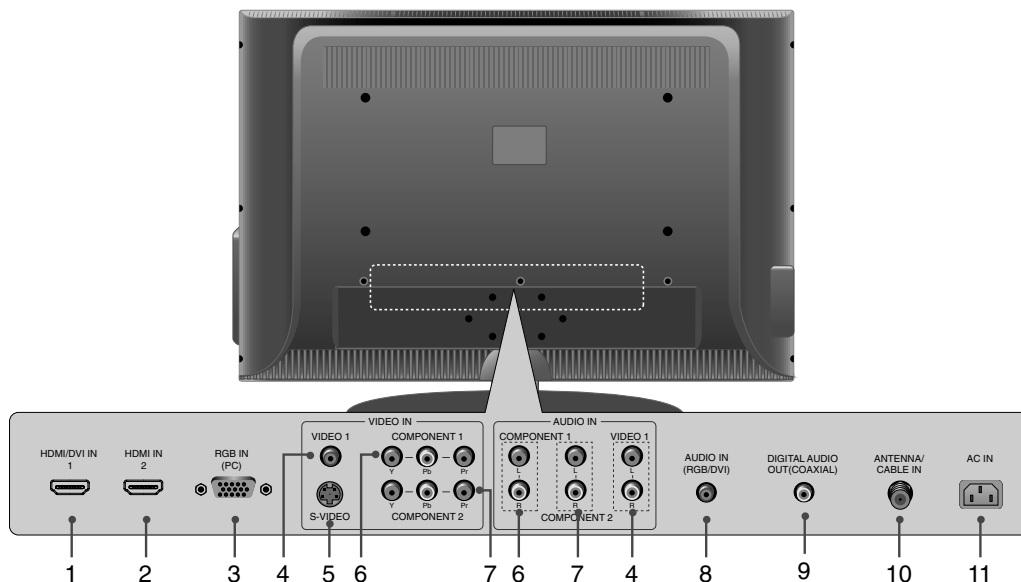
- 1. VOL + / VOL -**
Adjusts menu setting.
Adjusts sound level.
- 2. CH + / CH -**
Select a channel.
- 3. TV/AV**
Selects the **TV**, **AV**, **S-Video**, **YPbPr1**, **YPbPr2**, **VGA**, **HDMI1** or **HDMI2** mode.
- 4. MENU**
Display on screen menus.
- 5. POWER**
Switches the set on or off.
- 6. Power Indicator**
Illuminates in bright blue when the TV is in standby mode.
Illuminates in dark blue when the TV is switched on.
Remote control sensor
Accepts the IR signal of remote controller.

NOTE

Here shown may be somewhat different from your set.

Controls And Connectors

Rear Panel



1. HDMI/DVI IN 1

Connect to the HDMI jack for device with HDMI output. (This input can also be used as a DVI connection with an HDMI to DVI adaptor and separate analog audio inputs.)

2. HDMI2 IN

Connect to the HDMI jack for device with HDMI output.

3. RGB IN (PC)

Connect to the video output jack on your PC.

4. AV IN

Connect RCA cable to an appropriate external A/V device such as VCR, DVD or Camcorder.

5. S-VIDEO IN

Connect the output of an S-VIDEO device to the S-VIDEO input.

6. COMPONENT1 IN (YPbPr1)

Video/Audio inputs for Component1.

7. COMPONENT2 IN (YPbPr2)

Video/Audio inputs for Component2.

8. AUDIO IN (RGB/DVI)

Connect to the audio output jack on your PC.

9. DIGITAL AUDIO OUT(COAXIAL)

Connect digital audio to various types of equipment.

10. ANTENNA/CABLE IN

Connect to your antenna or cable box for TV signal.

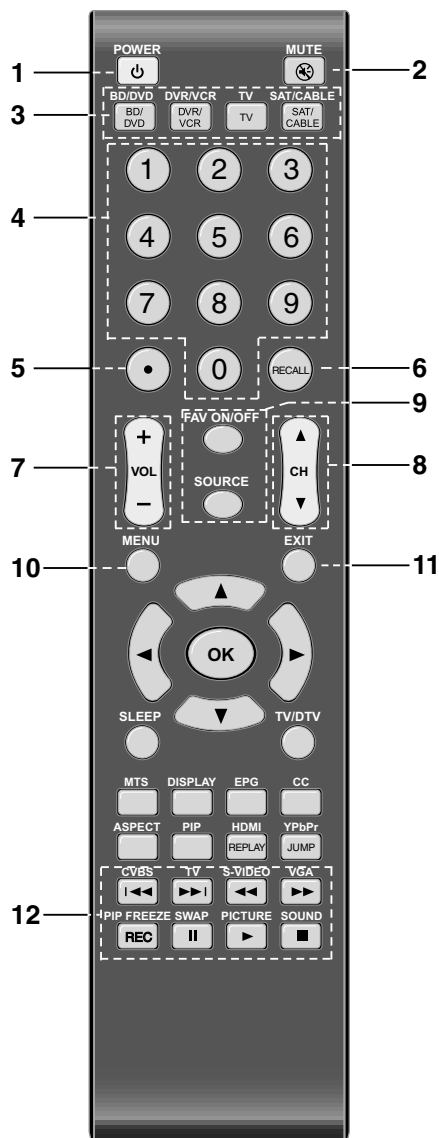
11. AC IN

This TV operates on an AC power.

Controls And Connectors

Remote Control

- All the functions can be controlled with the remote control handset.
- Some functions can also be adjusted with the buttons on the side panel of the set.
- Before using remote control handset, please install the batteries.



1. POWER

Switches the set on or standby mode.

2. MUTE

Switches the sound on or off.

3. MODE

Select the remote operating mode : BD/DVD, DVR/VCR, TV, SAT/CABLE.

4. Number buttons

Selects channel numbers.

5. • (DOT)

Press to select DTV channels.

For example, to select channel '10-1', press '10' then press '•' (dot) and '1'.

6. RECALL

Switch to the previous channel number.

7. VOL+ / VOL-

Adjusts sound level.

8. CH▲ / CH▼

Select a channel.

9. FAV ON/OFF

Not Support.

SOURCE

Selects the TV, AV, S-Video, Component1(YPbPr1), Component2(YPbPr2), VGA, HDMI1 or HDMI2 mode.

10. MENU

Display on screen menus.

Return to the previous menus.

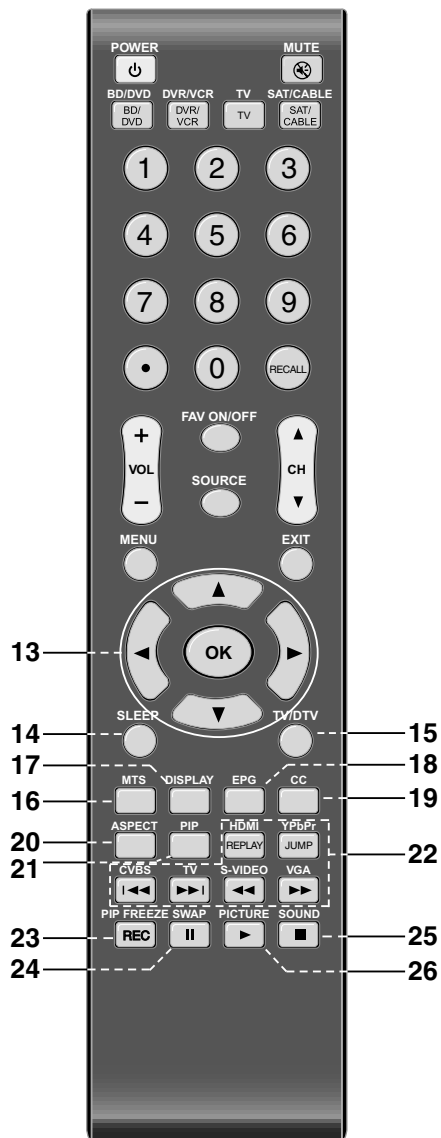
11. EXIT

Clear all on-screen menus and return to TV viewing from any menu.

12. VCR/DVD

Controls a video cassette recorder or DVD player.

Controls And Connectors



13.▲/▼/◀/▶

Adjusts menu settings.
Selects menu item.

OK

Accepts your selection.

14.SLEEP

Sets the sleep timer.

15.TV/DTV

Not Support.

16.MTS

Select MTS sound : Mono, Stereo and SAP in Analog Channel.

17.Display

Shows the present screen information.

18.EPG

Displays the program guide in the Digital TV mode.

19.CC

Sets the CC mode.

20.ASPECT

Selects your desired picture format.

21.PIP

Not Support.

22.External Source

Access to the desired external source.

23.PIP FREEZE

You can pause the screen you are viewing.

24.SWAP

Not Support.

25.PICTURE

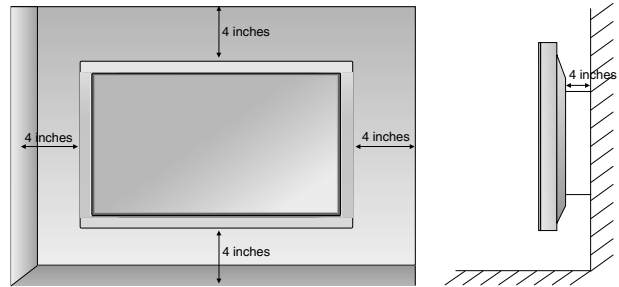
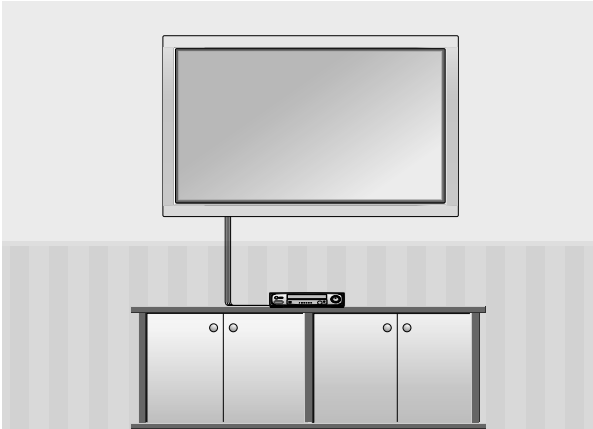
Recalls your preferred picture setting.

26.SOUND

Recalls your preferred sound setting.

Installation

Wall mount Installation

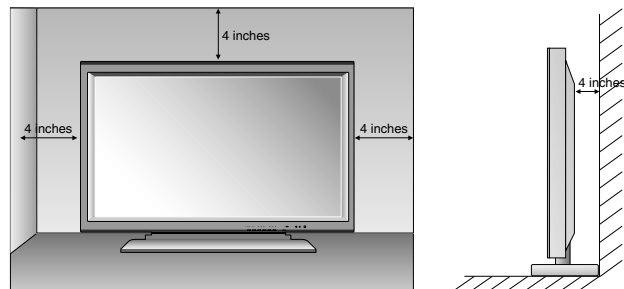


The set can be installed on a wall as shown above.
For proper ventilation, allow a clearance of 4 inches on all four sides from the wall.
Detailed instructions are available from your dealer, refer to the optional Wall Mounting Bracket Installation and Setup Guide. (Wall Mount Sold Separately)

NOTE

- Do not install the Wall-Mount except the Qualified Service Personnel.

Desktop Pedestal Installation



The set can be mounted on a desk as shown above.
For proper ventilation, allow a clearance of 4 inches on each side from the wall.
Detailed instructions are available from your dealer, refer to the optional Desktop Stand Installation and Setup Guide.

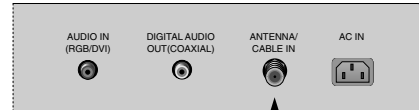
Installation

Antenna Connection

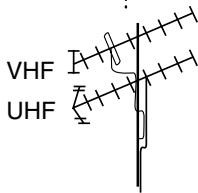
Multi-family Dwellings/ Apartments
(Connect to wall antenna socket)



Wall Antenna Socket



RF Coaxial Wire (75 ohm)

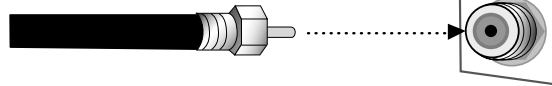


Outdoor Antenna



Single-family Dwellings /Houses
(Connect to wall jack for outdoor antenna)

Turn clockwise to tighten.

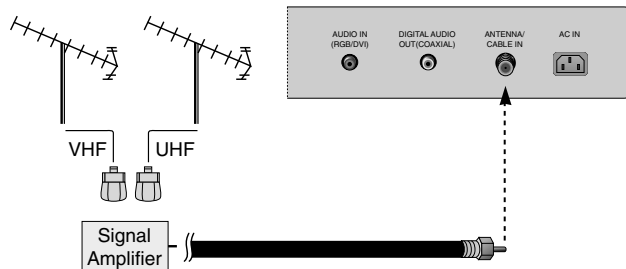


Be careful not to bend the bronze wire when connecting to an antenna port.

* Separately purchase a RF Coaxial Wire(75 ohm)

NOTE

- To improve the picture quality in a poor signal area, please purchase a signal amplifier and install properly.
- If the antenna is not installed properly, contact your dealer for assistance.

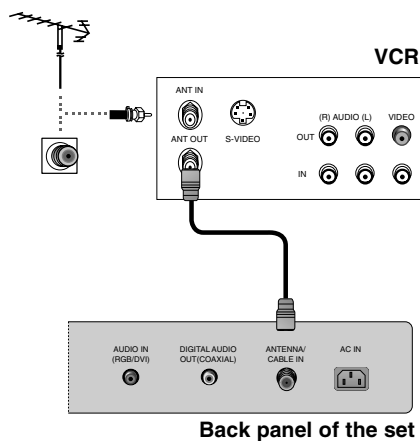


Connections

VCR Connection

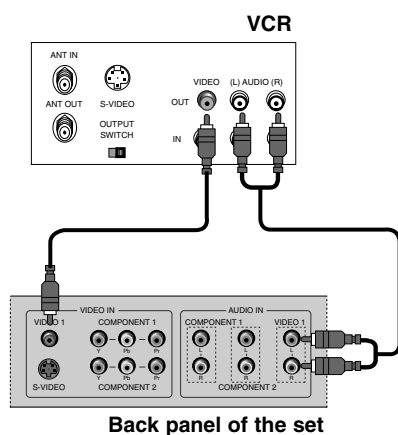
- To avoid picture noise (interference), leave an adequate distance between the TV and the VCR.

■ When connecting with an antenna



1. Connect the Antenna out socket of the VCR to the Antenna input socket on the TV.
2. Press the **POWER** button on the VCR and match the appropriate input selection between the TV and VCR for viewing.

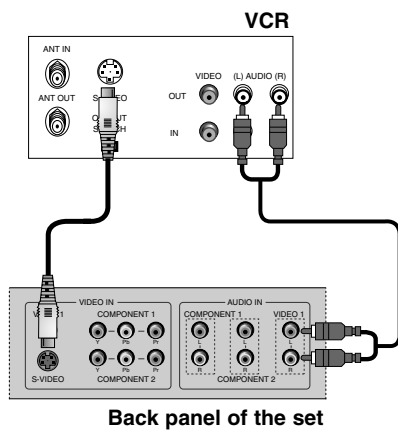
■ When connecting with a RCA cable



1. Connect the AUDIO/VIDEO jacks between TV and VCR. Match the jack colors (Video = yellow, Audio Left = white, and Audio Right = red)
2. Insert a video tape into the VCR and press **PLAY** on the VCR.
3. Select the **AV** input source with using the **SOURCE** button on the remote control.
4. Refer to the VCR manual for operating instructions.

Connections

■ When connecting with a S-Video cable

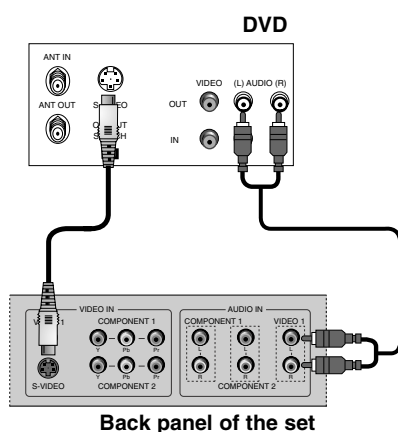


1. Connect the **S-VIDEO** output of the VCR to the **S-VIDEO** input on the set. The picture quality is improved; compared to normal composite (RCA cable) input.
2. Connect the audio outputs of the VCR to the **VIDEO1 AUDIO L, R** input jacks on the set.
3. Insert a video tape into the VCR and press **PLAY** on the VCR.
4. Select the **S-Video** input source with using the **SOURCE** button on the remote control.
5. Refer to the VCR manual for operating instructions.

Connections

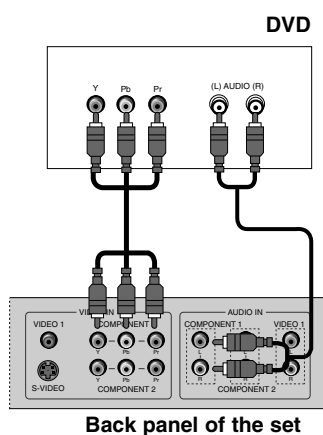
DVD Connection

■ When connecting with a S-Video cable



1. Connect the **S-VIDEO** output of the DVD to the **S-VIDEO** input on the set.
2. Connect the audio outputs of the DVD to the **VIDEO1 AUDIO L, R** input jacks on the set.
3. Turn on the DVD player, insert a DVD.
4. Select **S-Video** input source with using the **SOURCE** button on the remote control.
5. Refer to the DVD player's manual for operating instructions.

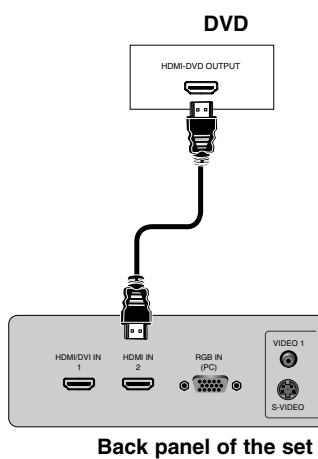
■ When connecting with a Component cable



1. Connect the video outputs (Y, PB, PR) of the DVD to the **COMPONENT1 VIDEO(Y, Pb, Pr1)** or **COMPONENT2 VIDEO(Y, Pb, Pr2)** jacks on the set.
2. Connect the audio outputs of the DVD to the **COMPONENT1 AUDIO L, R** or **COMPONENT2 AUDIO L, R** jacks on the set.
3. Turn on the DVD player, insert a DVD.
4. Select **YPbPr1** or **YPbPr2** source with using the **SOURCE** button on the remote control.
5. Refer to the DVD player's manual for operating instructions.

Connections

■ When connecting with a HDMI cable



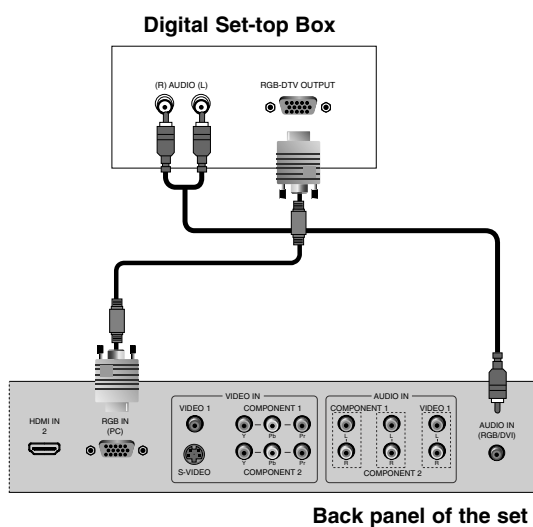
1. Connect the **HDMI** output of the DVD to the **HDMI1 IN** or **HDMI/DVI2 IN** jack on the set.
2. Select **HDMI1** or **HDMI2** input source with using the **SOURCE** button on the remote control.
3. Refer to the DVD player's manual for operating instructions.

Connections

HDSTB Connection

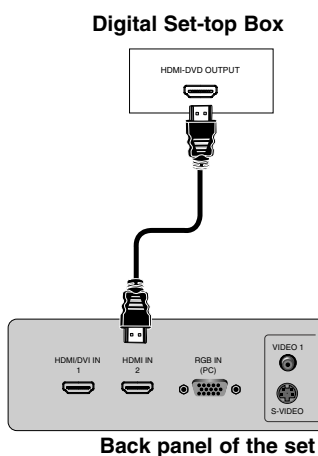
- This TV can receive Digital Over-the-air/Cable signals without an external digital set-top box. However, if you do receive Digital signals from a digital set-top box or other digital external device, refer to the figure as shown below.

■ When connecting with a D-Sub 15 pin cable



1. Connect the **RGB** output of the digital set-top box to the **RGB IN (PC)** jack on the set.
2. Connect the audio outputs of the set-top box to the **AUDIO IN (RGB/DVI)** jack on the set.
3. Turn on the digital set-top box.
4. Select **VGA** input source with using the **SOURCE** button on the remote control.
5. Refer to the digital set-top box manual for operating instructions.

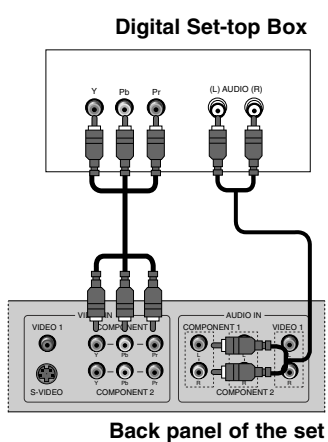
■ When connecting with a HDMI cable



1. Connect the **HDMI** output of the digital set-top box to the **HDMI1 IN** or **HDMI/DVI2 IN** jack on the set.
2. Turn on the digital set-top box.
3. Select **HDMI1** or **HDMI2** input source with using the **SOURCE** button on the remote control.
4. Refer to the digital set-top box manual for operating instructions.

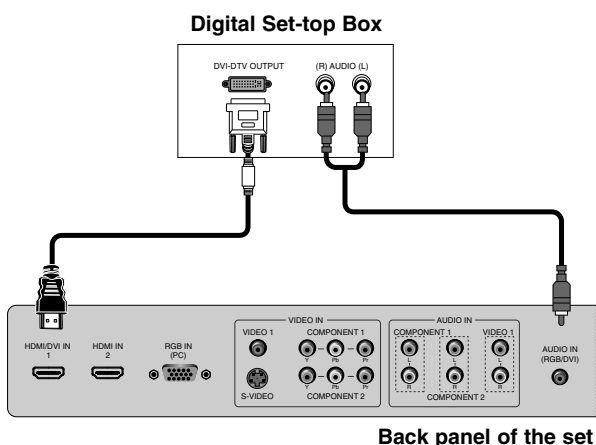
Connections

■ When connecting with a Component cable



1. Connect the video outputs (Y, PB, PR) of the digital set-top box to the **COMPONENT1 VIDEO(Y, Pb, Pr1)** or **COMPONENT2 VIDEO(Y, Pb, Pr2)** jacks on the set.
2. Connect the audio outputs of the digital set-top box to the **COMPONENT1 AUDIO L, R** or **COMPONENT2 AUDIO L, R** jacks on the set.
3. Turn on the digital set-top box.
4. Select **YPbPr1** or **YPbPr2** source with using the **SOURCE** button on the remote control.
5. Refer to the digital set-top box manual for operating instructions.

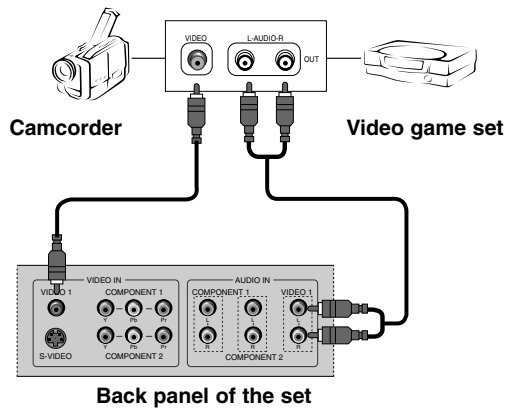
■ When connecting with a HDMI to DVI cable



1. Connect the DVI output of the digital set-top box to the **HDMI/DVI IN** jack on the set.
2. Connect the audio outputs of the set-top box to the **AUDIO IN (RGB/DVI)** jack on the set.
3. Turn on the digital set-top box.
4. Select **HDMI1** input source with using the **SOURCE** button on the remote control.
5. Refer to the digital set-top box manual for operating instructions.

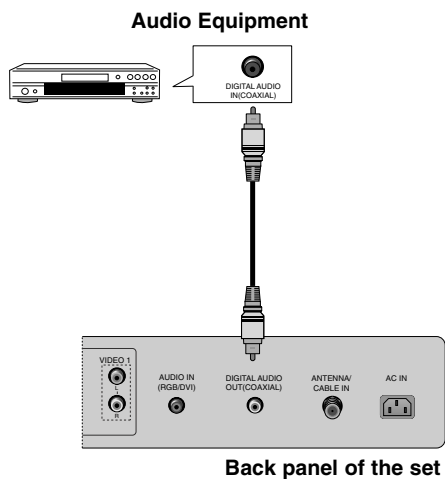
Connections

External AV Source



1. Connect the AUDIO/VIDEO jacks between TV and external equipment. Match the jack colors (Video = yellow, Audio Left = white, and Audio Right = red)
2. Select the **AV** input source with using the **SOURCE** button on the remote control.
3. Operate the corresponding external equipment.
4. Refer to the external equipment manual for operating instructions.

Digital Audio Out

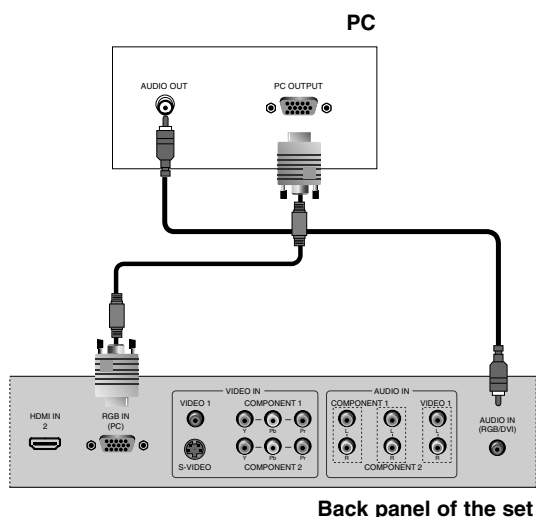


1. Connect one end of the coaxial cable to the TV's DIGITAL AUDIO OUT(COAXIAL) port.
2. Connect the other end of the coaxial cable to the digital audio input on the audio equipment.
3. Refer to the external audio equipment manual for operation.

Connections

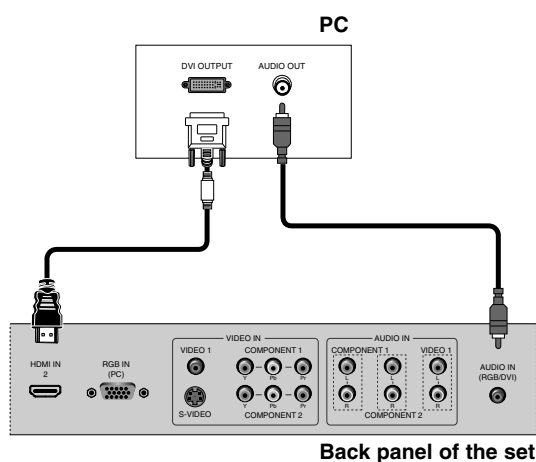
PC Connection

■ When connecting with a D-Sub 15 pin cable



1. Connect the **RGB** output of the PC to the **RGB IN(PC)** jack on the set.
2. Connect the PC audio outputs to the **AUDIO IN (RGB/DVI)** jack on the set.
3. Turn on the PC and the set.
4. Select **VGA** input source with using the **SOURCE** button on the remote control.

■ When connecting with a HDMI to DVI cable



1. Connect the DVI output of the PC to the **HDMI/DVI IN** jack on the set.
2. Connect the PC audio outputs to the **AUDIO IN (RGB/DVI)** jack on the set.
3. Turn on the PC and the set.
4. Select **HDMI1** input source with using the **SOURCE** button on the remote control.

Connections

Resolution

Resolution	Horizontal Frequency (kHz)	Vertical Frequency (Hz)
640 x 350	37.86	85.08
640 x 400	37.86	85.08
640 x 480	31.47	59.94
	37.50	60.00
	43.27	85.00
800 x 600	37.88	60.32
	53.67	85.06
1024 x 768	48.36	60.00
1366 x 768	47.13	59.65

NOTE -----

- a. The synchronization input form is separate.
 - b. If the resolution is not supported, 'Not Support!' message will be displayed.
-

Basic Operation

Turning On or Off

Standby Setup: The AC power cord must be connected to have the TV in standby mode and ready to be turned on. Press the **ON/OFF** button on the side panel of the TV to go into standby mode.

1. If the TV is in standby mode, press the **POWER** button on the remote or the TV itself to turn the TV on.
2. Press the **POWER** button again on the remote controller or the TV itself to turn the TV off.

Channel Selection

You can select a channel number with the **CH▲ / CH▼** button or **NUMBER** buttons.

Volume Adjustment

Press the **VOL+ / VOL-** button to adjust the sound level.

Sound Mute

Press the **MUTE** button. The sound is switched off and the mute display appears. To cancel mute mode, press the **MUTE** or **VOL+ / VOL-** button again.

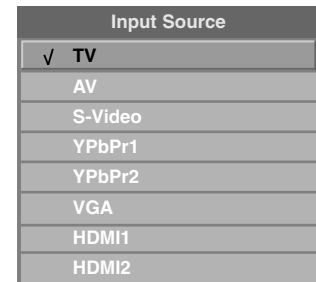
Quick View

Press the **RECALL** button to view the last channel you were watching.

Basic Operation

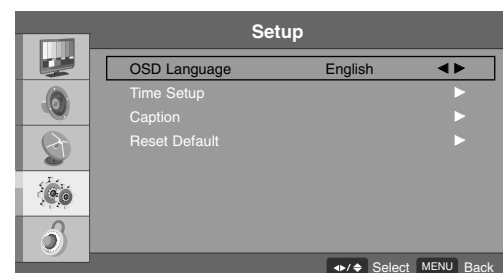
Input Selection

1. Press the **SOURCE** button to change the input mode.
2. Press the **Down** or **Up** button to select your desired mode.
3. Press the **OK** button to change your selected mode.



Language Selection

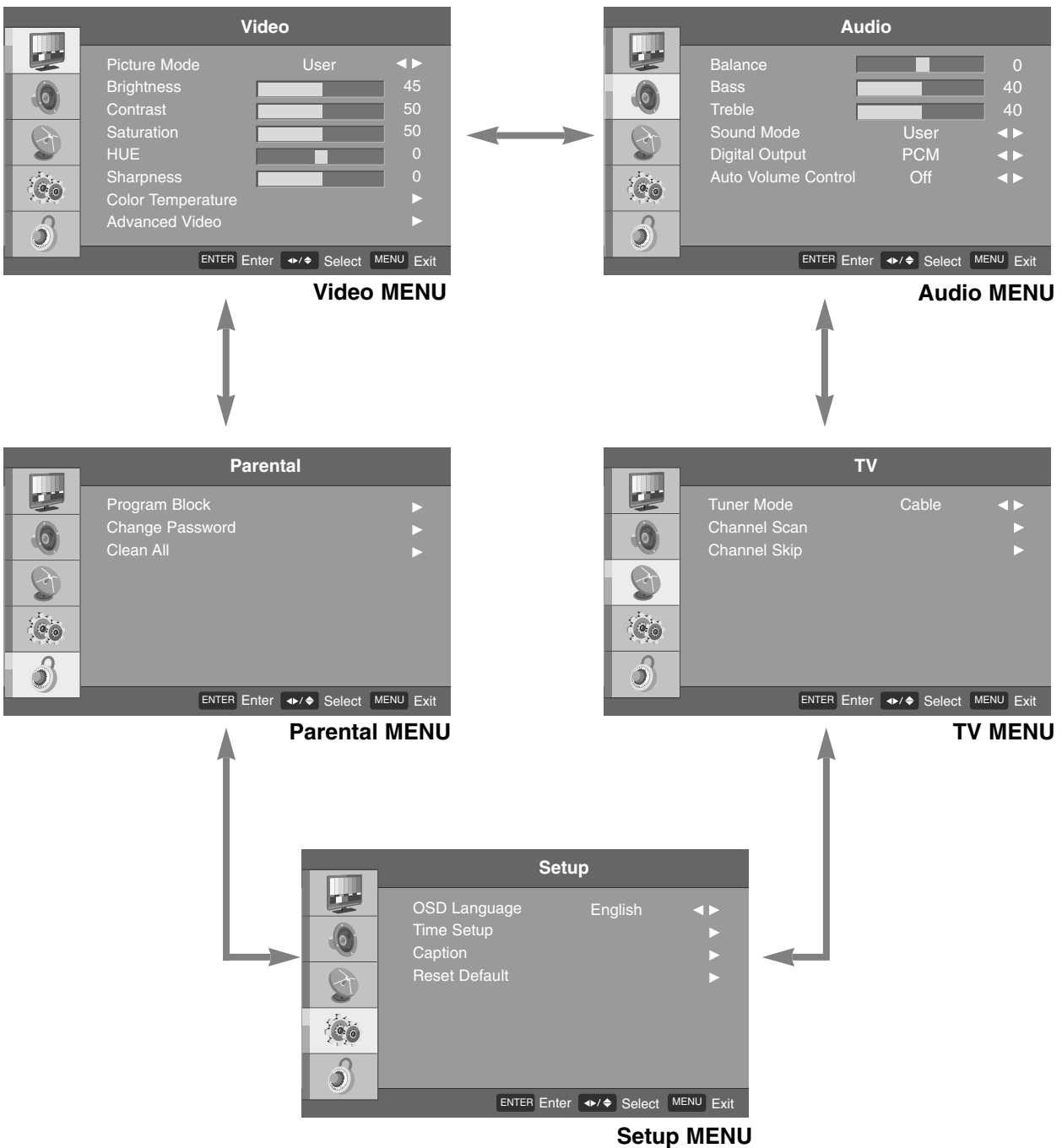
1. Press the **MENU** button and then press the **Down** or **Up** button to select the **Setup**.
2. Press the **OK** button and then press the **Down** or **Up** button to select **OSD Language**.
3. Press the **Left** or **Right** button to select your desired language.
4. The on screen menu will then appear in the selected language.



On Screen Menus

Your TV's OSD(On Screen Display) may differ slightly from what is shown in this manual.

1. Press the **MENU** button and then use **Down** or **Up** button to select each menu.
2. Press the **OK** button and then use **Down, Up, Left** and **Right** buttons to navigate to the available menus.



Setting up TV Channel

Auto Scan

Automatically finds all channels available through the Antenna or Cable and stores them in memory on the channel list.

1. Press the **MENU** button and then press the **Down** or **Up** button to select the **TV**.
2. Press the **OK** button and then press the **Down** or **Up** button to select **Tuner Mode**.
3. Press the **Left** or **Right** button to select **Antenna** or **Cable**.
4. Press the **Down** or **Up** button to select **Channel Scan**.
5. Press the **OK** button to start auto search.
The TV will begin memorizing all of the available channels.
6. Press the **MENU** button at any time to interrupt the memorization process.



Setting up TV Channel

Add/Delete Channel

You can manually store or remove channels in whatever order you desire.

1. Press the **MENU** button and then press the **Down** or **Up** button to select the **TV**.
2. Press the **OK** button and then press the **Down** or **Up** button to select **Channel Skip**.
3. Press the **OK** button and then press the **Down** or **Up** button to select channel you want to add or delete.
If you want to skip the selected channel, press the **OK** button.
4. Save the other channels in the same method.
5. Press the **MENU** button to return to the previous menu.



Setting up TV Channel

EPG(Electronic Program Guide)

Displays Broadcasting guide of received channel.

1. Press the **EPG** button to display the Electronic Program Guide.
2. Press the **Left** or **Right** button to change channel and display the broadcasting guide at the bottom of the screen.

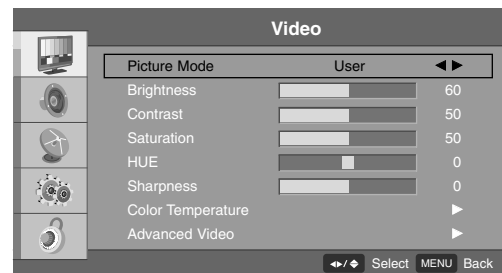


Picture Controls

Auto Picture Controls

Picture Mode adjusts the set for the best picture appearance. Select the preset value in the Picture Mode menu.

1. Press the **MENU** button and then press the **Down** or **Up** button to select the **Video**.
2. Press the **OK** button and then press the **Down** or **Up** button to select **Picture Mode**.
3. Press the **Left** or **Right** button to select **Soft**, **Standard**, **Vivid** or **User**.
4. Press the **MENU** button to return to the previous menu.



Soft

Select this option to display with a soft image.

Standard

The most general and natural screen display status.

Vivid

Select this option to display with a sharp image.

User

Select this option to use the user-defined setting.

NOTE

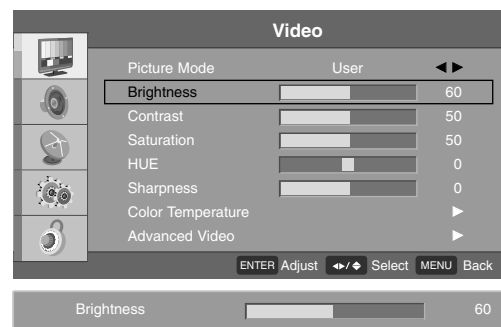
- If you want to select **Picture Mode** directly, press the **PICTURE** button.
- Every time you press the button, it will switch between **Soft**, **Standard**, **Vivid** or **User**.
- When you adjust **Brightness**, **Contrast**, **Saturation**, **HUE** or **Sharpness**, **Picture Mode** changes to **User**.

Picture Controls

Manual Picture Controls

You can adjust picture **Brightness**, **Contrast**, **Saturation**, **HUE** and **Sharpness** to the levels you prefer.

1. Press the **MENU** button and then press the **Down** or **Up** button to select the **Video**.
2. Press the **OK** button and then press the **Down** or **Up** button to select desired picture option. (**Brightness**, **Contrast**, **Saturation**, **HUE**, **Sharpness**)
3. Press the **OK** button and then press the **Left** or **Right** button to make appropriate adjustments.
4. Press the **MENU** button to return to the previous menu.



Brightness

Increases or decreases amount of white in the your picture.

Contrast

Adjusts the difference between the light and dark levels in the picture.

Saturation

Adjusts intensity of all colors.

HUE

Adjusts the balance between red and green levels.

Sharpness

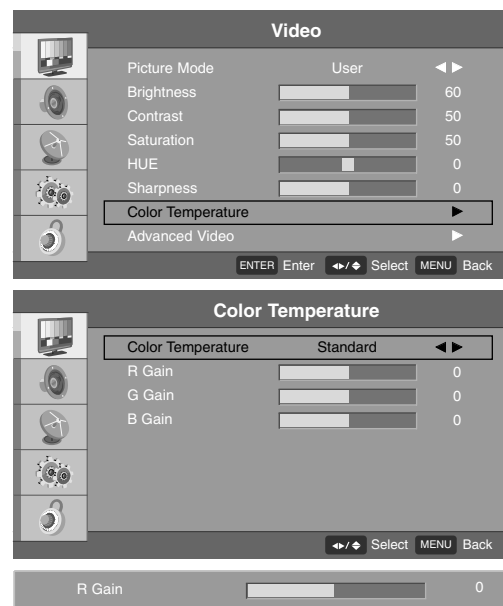
Adjusts the level of sharpness in the edges between the light and dark areas of the picture. The lower the level, the softer the image.

Picture Controls

Color Temperature

You can adjust to color temperature you prefer.

1. Press the **MENU** button and then press the **Down** or **Up** button to select the **Video**.
2. Press the **OK** button and then press the **Down** or **Up** button to select **Color Temperature**.
3. Press the **OK** button and then press the **Left** or **Right** button to select **Cool**, **Standard**, **Warm** or **User**.
4. Press the **Down** or **Up** button to select desired color item.
5. Press the **OK** button and then press the **Left** or **Right** button to make appropriate adjustments.
6. Press the **MENU** button to return to the previous menu.



NOTE

- To you adjust **R Gain**, **G Gain**, **B Gain**, or **Color Temperature** change to **Picture Mode** to **User**.

Advanced Video

Dynamic Noise Reduction

Use this feature to reduce picture artifacts caused by the digitizing of image motion content that may be present in the picture.

1. Press the **MENU** button and then press the **Down** or **Up** button to select the **Video**.
2. Press the **OK** button and then press the **Down** or **Up** button to select **Advanced Video**.
3. Press the **OK** button and then press the **Down** or **Up** button to select **DNR**.
4. Press the **Left** or **Right** button to select **Off**, **Low**, **Medium**, **Strong** or **Auto**.
5. Press the **MENU** button to return to the previous menu.



Off

Turns the screen noise reduction function off.

Low

Reduces screen noise at a low level.

Medium

Reduces screen noise at a medium level.

Strong

Reduces screen noise at a high level.

Auto

Adjusts automatically screen noise according to received signal.

Advanced Video

Black Level Extender

Use this feature to increase the picture reproduction performance in the dark areas of the picture.

1. Press the **MENU** button and then press the **Down** or **Up** button to select the **Video**.
2. Press the **OK** button and then press the **Down** or **Up** button to select **Advanced Video**.
3. Press the **OK** button and then press the **Down** or **Up** button to select **Black Level Extender**.
4. Press the **Left** or **Right** button to select **On** or **Off**.
5. Press the **MENU** button to return to the previous menu.

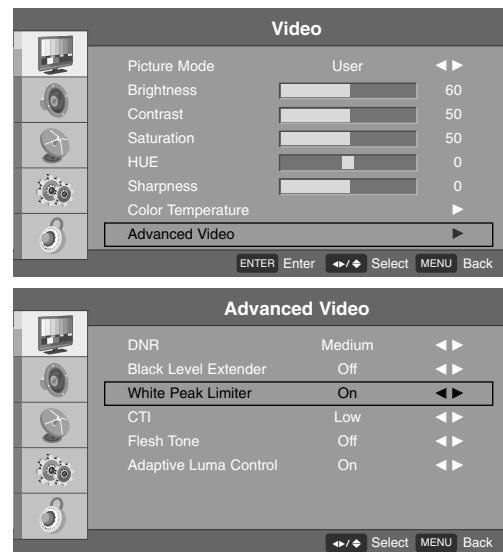


Advanced Video

White Peak Limiter

Use this feature to limit excessive amounts of white in bright areas of the picture, this is caused by a lower sync level from a channel being received from the antenna or cable.

1. Press the **MENU** button and then press the **Down** or **Up** button to select the **Video**.
2. Press the **OK** button and then press the **Down** or **Up** button to select **Advanced Video**.
3. Press the **OK** button and then press the **Down** or **Up** button to select **White Peak Limiter**.
4. Press the **Left** or **Right** button to select **On** or **Off**.
5. Press the **MENU** button to return to the previous menu.



Advanced Video

CTI(Color Transient Intensity)

This feature can be used to reduce the time taken to transition from one color to another. The effect will be seen as sharpening the border between colors.

1. Press the **MENU** button and then press the **Down** or **Up** button to select the **Video**.
2. Press the **OK** button and then press the **Down** or **Up** button to select **Advanced Video**.
3. Press the **OK** button and then press the **Down** or **Up** button to select **CTI**.
4. Press the **Left** or **Right** button to select **Off**, **Low**, **Medium** or **Strong**.
5. Press the **MENU** button to return to the previous menu.

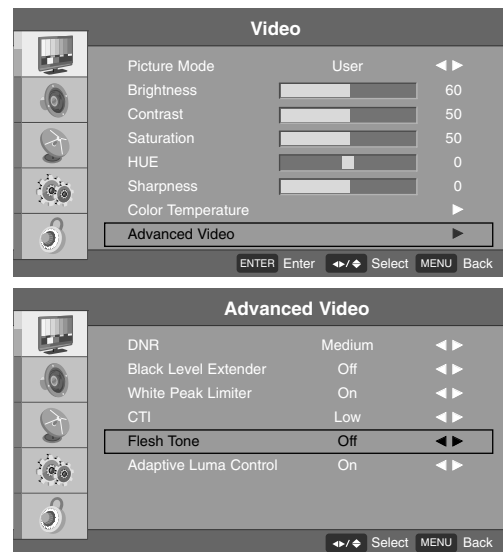


Advanced Video

Flesh Tone

In some cases, activation of this feature can result in a more pleasing production of sky and flesh color.

1. Press the **MENU** button and then press the **Down** or **Up** button to select the **Video**.
2. Press the **OK** button and then press the **Down** or **Up** button to select **Advanced Video**.
3. Press the **OK** button and then press the **Down** or **Up** button to select **Flesh Tone**.
4. Press the **Left** or **Right** button to select **On** or **Off**.
5. Press the **MENU** button to return to the previous menu.



NOTE

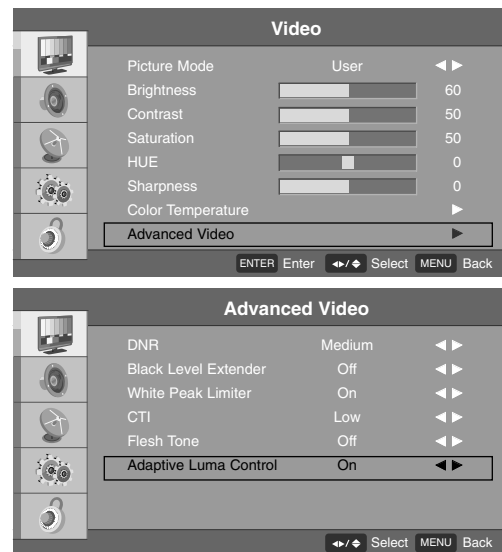
- **Flesh Tone** can not be adjusted in PC mode.

Advanced Video

Adaptive Luma Control

Large areas of darkness in a picture will result in a lower Average Picture Level (APL) and the overall picture will look too dark; activation of this feature will raise the APL to counteract this effect.

1. Press the **MENU** button and then press the **Down** or **Up** button to select the **Video**.
2. Press the **OK** button and then press the **Down** or **Up** button to select **Advanced Video**.
3. Press the **OK** button and then press the **Down** or **Up** button to select **Adaptive Luma Control**.
4. Press the **Left** or **Right** button to select **On** or **Off**.
5. Press the **MENU** button to return to the previous menu.

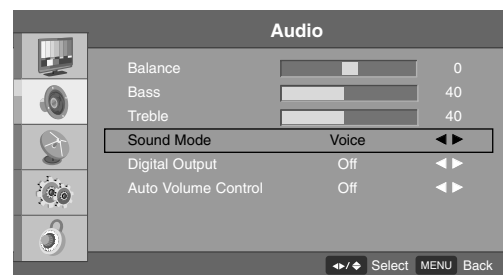


Sound Controls

Auto Sound Controls

This Sound Mode automatically adjusts the sound controls to the recommended settings.

1. Press the **MENU** button and then press the **Down** or **Up** button to select the **Audio**.
2. Press the **OK** button and then press the **Down** or **Up** button to select **Sound Mode**.
3. Press the **Left** or **Right** button to select **Voice**, **Concert**, **Jazz** or **User**.
4. Press the **MENU** button to return to the previous menu.



Voice

Select this option while watching a show that is mostly dialog.

Concert

Select this option to when listening to music to enjoy the original sound.

Jazz

This option highlights bass and also emphasizes instruments such as piano and guitar.

User

Select this option to manually adjust the audio settings.

NOTE

- If you want to change the **Sound Mode** without entering the menus, press the **SOUND** button.
- Each time you press the button, it will switch between **Voice**, **Concert**, **Jazz** and **User**.
- When you manually adjust the **Bass** or **Treble**, the **Sound Mode** will change to **User**.

Sound Controls

Manual Sound Controls

This function allows you to manually adjust the audio settings to your preferred levels.

1. Press the **MENU** button and then press the **Down** or **Up** button to select the **Audio**.
2. Press the **OK** button and then press the **Down** or **Up** button to select desired picture option. (**Bass**, **Treble**, **Balance**)
3. Press the **OK** button and then press the **Left** or **Right** button to make appropriate adjustments.
4. Press the **MENU** button to return to the previous menu.



Bass

This adjusts the range of the low pitch sound.

Treble

This adjusts the range of the high pitch sound.

Balance

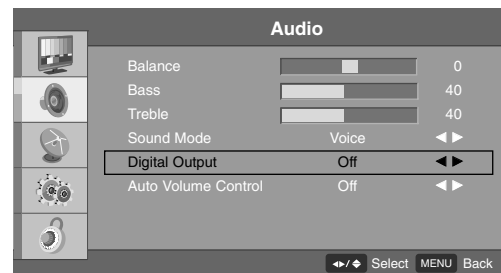
Adjusts the left to right sound balance between the built-in speakers.

Sound Controls

Digital Output

This option activates Digital Audio Output. This is recommended for use with other devices capable of receiving digital audio signals. (This mode is set to Off by default)

1. Press the **MENU** button and then press the **Down** or **Up** button to select the **Audio**.
2. Press the **OK** button and then press the **Down** or **Up** button to select **Digital Output**.
3. Press the **Left** or **Right** button to select **Off**, **Dolby Digital** or **PCM**.
4. Press the **MENU** button to return to the previous menu.



Off

Television will only output an Analog audio signal.
(This mode is set to Off by default)

Dolby Digital

Television will output a digital audio signal.

PCM (Pulse-code modulation)

This mode creates a digital representation of an analog signal and is only used with an audio CD signal.

<Dolby Digital>



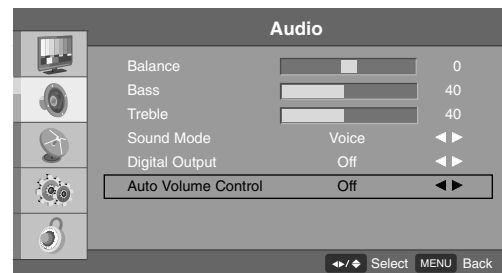
This product is under license of Dolby Laboratories.
The "Dolby" or D symbol is a trademark of Dolby Laboratories.

Sound Controls

Auto Volume Control

This function automatically stabilizes the volume level while changing to channels with different audio levels.

1. Press the **MENU** button and then press the **Down** or **Up** button to select the **Audio**.
2. Press the **OK** button and then press the **Down** or **Up** button to select **Auto Volume Control**.
3. Press the **Left** or **Right** button to select **On** or **Off**.
4. Press the **MENU** button to return to the previous menu.



Stereo/SAP Broadcast Setup

This TV can receive MTS stereo programs and any SAP (Secondary Audio Program) that the station may transmit.

The television will automatically switch to Mono sound if the broadcasted channel is transmitted in Mono. Also, you can manually select Mono if you want to listen to a stereo or SAP broadcasted channel in Mono.

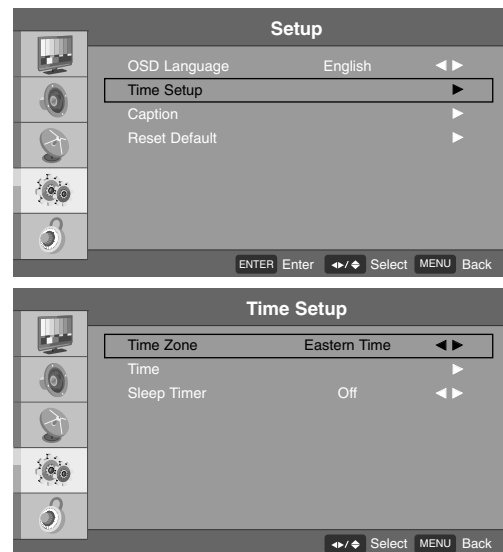
1. Use the **MTS** button to select your desired MTS mode in analog signal.
Each time you press the **MTS** button, Mono, Stereo, or SAP appear in turn.
If other languages available on the digital signal, select them with the **MTS** button.
2. Press **EXIT** button to save and return to TV viewing.

Time Setting

Time Zone Setting

You can set the Time Zone for your local area.
This is operated from the Auto Synchronization.

1. Press the **MENU** button and then press the **Down** or **Up** button to select the **Setup**.
2. Press the **OK** button and then press the **Down** or **Up** button to select **Time Setup**.
3. Press the **OK** button and then press the **Down** or **Up** button to select **Time Zone**.
4. Press the **Left** or **Right** button to select your viewing area time zone.
(**Eastern Time, Indiana, Central Time, Mountain Time, Arizona, Pacific Time, Alaska, Hawaii**)
5. Press the **MENU** button to return to the previous menu.



Time Setting

Auto Time Setting

The time is set automatically from a digital channel signal. The digital channel signal includes information for the current time provided by the broadcasting station. Set the time manually if the current time is set incorrectly by the Auto Synchronization function.

1. Press the **MENU** button and then press the **Down** or **Up** button to select the **Setup**.
2. Press the **OK** button and then press the **Down** or **Up** button to select **Time Setup**.
3. Press the **OK** button and then press the **Down** or **Up** button to select **Time**.
4. Press the **OK** button and then press the **Down** or **Up** button to select **Auto Synchronization**.
5. Press the **Left** or **Right** button to select **On**.
6. Press the **MENU** button to return to the previous menu.



NOTE

- If **Auto Synchronization** is selected to **On**, **Date** and **Time** menus are cannot be adjusted.

Time Setting

Manual Time Setting

If the current time setting is wrong, this function allows you to set the clock manually.

1. Press the **MENU** button and then press the **Down** or **Up** button to select the **Setup**.
2. Press the **OK** button and then press the **Down** or **Up** button to select **Time Setup**.
3. Press the **OK** button and then press the **Down** or **Up** button to select **Time**.
4. Press the **OK** button and then press the **Down** or **Up** button to select **Auto Synchronization**.
5. Press the **Left** or **Right** button to select **Off**.
6. Press the **Down** or **Up** button to select **Date** or **Time**.
7. Press the **Left** or **Right** button to move the position and use number buttons to set present date or time.
8. Press the **MENU** button to return to the previous menu.



Time Setting

Auto On/Off Time Setting

The timer function operates only if the current time has been set.
The TV turns on/off automatically with the Power On/Off Timer function.

1. Press the **MENU** button and then press the **Down** or **Up** button to select the **Setup**.
2. Press the **OK** button and then press the **Down** or **Up** button to select **Time Setup**.
3. Press the **OK** button and then press the **Down** or **Up** button to select **Time**.
4. Press the **OK** button and then press the **Down** or **Up** button to select **Timer**.
5. Press the **Left** or **Right** button to select **On**.
If **Timer** is selected to **Off**, **Power On Timer** and **Power Off Timer** menu are cannot be adjusted.
6. Press the **Down** or **Up** button to select **Power On Timer** or **Power Off Timer**.
7. Press the **Left** or **Right** button to move the position and use number buttons to set TV on or off time.
8. Press the **MENU** button to return to the previous menu.

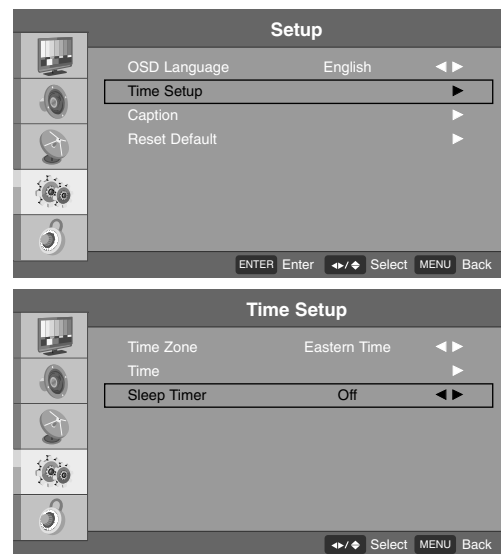


Time Setting

Sleep Timer

The sleep timer automatically switches the set to standby after the preset time elapses.

1. Press the **MENU** button and then press the **Down** or **Up** button to select the **Setup**.
2. Press the **OK** button and then press the **Down** or **Up** button to select **Time Setup**.
3. Press the **OK** button and then press the **Down** or **Up** button to select **Sleep Timer**.
4. Press the **Left** or **Right** button to select desired sleep time.
The timer begins to count down from the number of minutes selected.
5. Press the **MENU** button to return to the previous menu.



NOTE

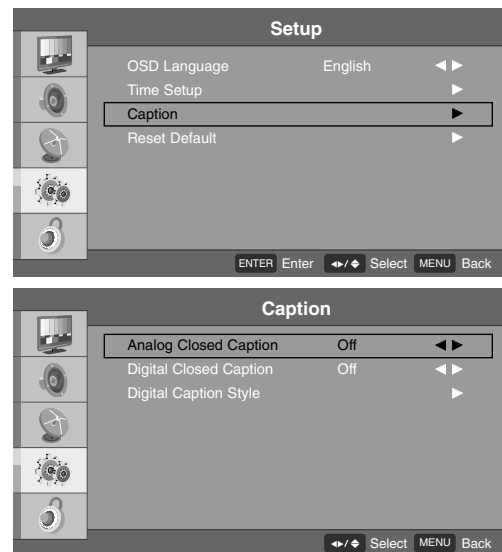
- If you want to select **Sleep Timer** directly, press the **SLEEP** button.
- Every time you press the button, it will switch between **Off, 5, 10, 15, 30, 45, 60, 90, 120, 180** and **240**.

Captions

Closed Caption-Analog

The Analog Caption function operates when watching regular analog channels. Analog caption displays information at any position on the screen and is usually the program's dialog.

1. Press the **MENU** button and then press the **Down** or **Up** button to select the **Setup**.
2. Press the **OK** button and then press the **Down** or **Up** button to select **Caption**.
3. Press the **OK** button and then press the **Down** or **Up** button to select **Analog Closed Caption**.
4. Press the **Left** or **Right** button repeatedly to select **Off**, **CC1**, **CC2**, **CC3**, **CC4**, **TEXT1**, **TEXT2**, **TEXT3** or **TEXT4**.
5. Press the **MENU** button to return to the previous menu.



Caption

The term for the words that scroll across the bottom of the TV screen; usually the audio portion of the program provided for the hearing impaired.

TEXT

The term for the words that appear in a large black frame and almost cover the entire screen; usually messages provided by the broadcaster.

NOTE

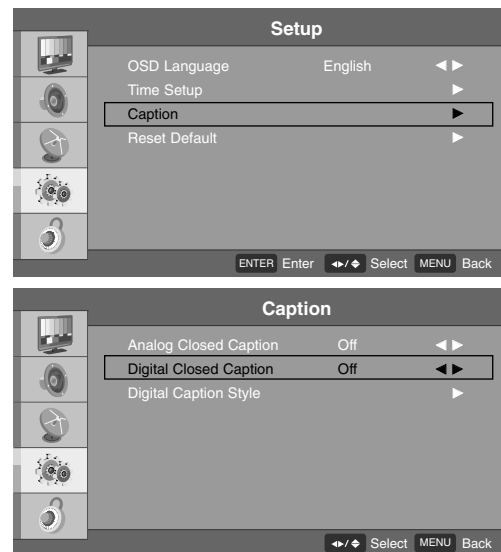
- If you want to select **Caption** directly, press the **CC** button.

Captions

Closed Caption-Digital

The Digital Caption function only operates on digital channels. Choose the language you want the DTV captions to appear in.

1. Press the **MENU** button and then press the **Down** or **Up** button to select the **Setup**.
2. Press the **OK** button and then press the **Down** or **Up** button to select **Caption**.
3. Press the **OK** button and then press the **Down** or **Up** button to select **Digital Closed Caption**.
4. Press the **Left** or **Right** button repeatedly to select **Off**, **SERVICE1**, **SERVICE2**, **SERVICE3**, **SERVICE4**, **SERVICE5** or **SERVICE6**.
5. Press the **MENU** button to return to the previous menu.

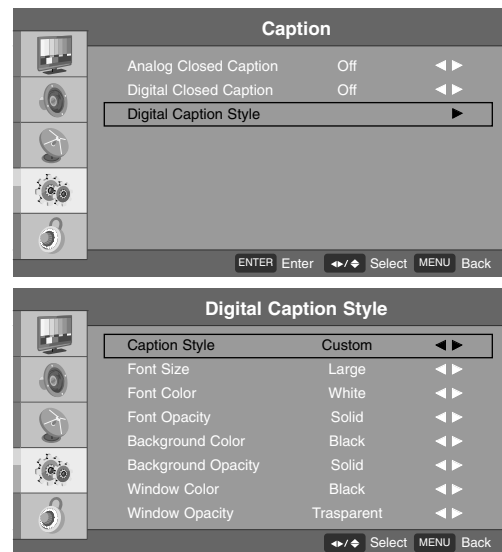


Captions

Closed Caption Options

Customize the DTV captions that appear on your screen.

1. Press the **MENU** button and then press the **Down** or **Up** button to select the **Setup**.
2. Press the **OK** button and then press the **Down** or **Up** button to select **Caption**.
3. Press the **OK** button and then press the **Down** or **Up** button to select **Digital Caption Style**.
4. Press the **OK** button and then press the **Down** or **Up** button to select **Caption Style**.
5. Press the **Left** or **Right** button to select **Custom**.
6. Press the **Down** or **Up** button to select desired caption option.
(**Font Size**, **Font Color**, **Font Opacity**, **Background Color**, **Background Opacity**, **Window Color**, **Window Opacity**)
7. Press the **Left** or **Right** button to customize your preference.
8. Press the **MENU** button to return to the previous menu.



Font Size

Set the size the words will appear in.

Font Color

Choose a color for the text.

Font Opacity

Specify the opacity for the text color.

Background Color

Select a background color.

Background Opacity

Select the opacity for the background color.

Window Color

Select a color for the edges.

Window Opacity

Select the opacity for the edges.

NOTE

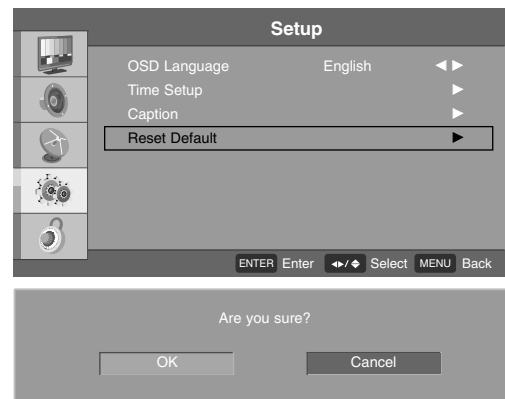
- If **Caption Style** is selected to **As Broadcaster**, Caption Options are cannot be adjusted.

Reset

Reset Default

Use to quickly reset all the menu options to their original factory preset values. This function deletes all TV channels.

1. Press the **MENU** button and then press the **Down** or **Up** button to select the **Setup**.
2. Press the **OK** button and then press the **Down** or **Up** button to select **Reset Default**.
3. Press the **OK** button and then press the **Left** or **Right** button to select **OK**.
4. Press the **OK** button to reset.
5. Reset the menu options to original values.
6. Press the **MENU** button to return to the previous menu.

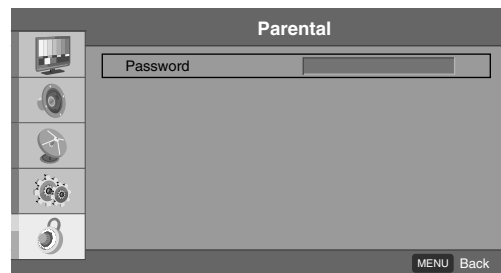


Parental Control

Enter your password

Parental Control can be used to block specific channels, ratings and other viewing sources. Set up blocking schemes to block specific channels, ratings, and external viewing sources. A password is required to gain access to this menu.

1. Press the **MENU** button and then press the **Down** or **Up** button to select the **Parental**.
2. Press the **OK** button and then enter password as requested.
3. The TV is set up with the initial password "0-0-0-0".



Set Password

Change the password by inputting a new password twice.

1. After inputting the password, press the **Down** or **Up** button to select **Change Password**.
2. Press the **OK** button and then select any 4 digits for your new password and enter the them on the **New Password**.
3. As soon as the 4 digits are entered, re-enter the same 4 digits on the **Confirm Password**.
4. Then your changed password has been memorized.
5. Press the **MENU** button to return to the previous menu.



Parental Control

Rating Enable/Disable

Enables or disables the blocking scheme you set up previously.

1. After inputting the password, press the **Down** or **Up** button to choose **Program Block**.
2. Press the **OK** button and then press the **Down** or **Up** button to select **Rating Enable**.
3. Press the **Left** or **Right** button to select **On** or **Off**. When you select On, the Program Block menus are enable.
4. Press the **MENU** button to return to the previous menu.

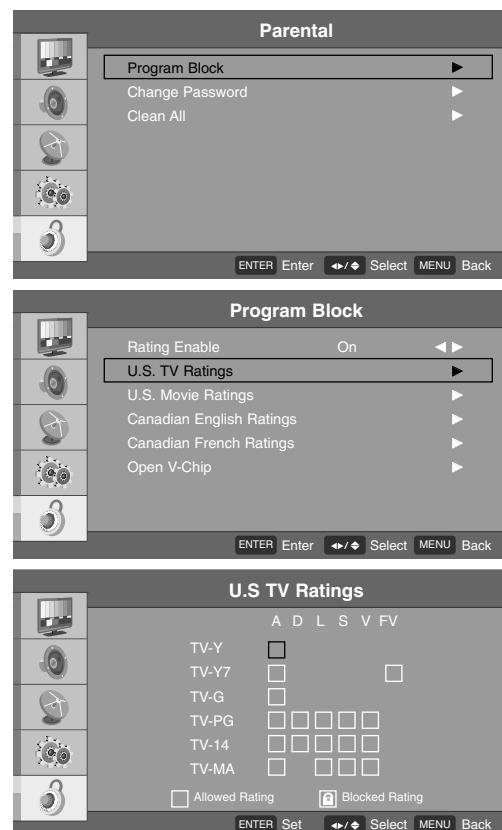


Parental Control

TV Ratings for USA

Prevents children from watching certain TV programs, according to the rating limits set. The children rating will not apply to TV programs until you select the ratings you want to be blocked.

1. After inputting the password, press the **Down** or **Up** button to choose **Program Block**.
2. Press the **OK** button and then press the **Down** or **Up** button to select **U.S. TV Ratings**.
3. Press the **OK** button.
4. Press the **Down** or **Up** or **Left** or **Right** buttons to choose and **OK** button to set up the menu options for U.S. TV Ratings.
5. Press the **MENU** button to return to the previous menu.



Parental Control

TV (FCC) Age Categories

TV-MA

Mature audiences only.
This program may contain mature themes, profane language, graphic violence and explicit sexual content.

TV-14

Parents strongly cautioned.
This program may contain sophisticated themes, sexual content, strong language and more intense violence.

TV-PG

Parental guidance suggested.
The program may contain infrequent coarse language, limited violence, some suggestive sexual dialog and situations.

TV-G

General audience.
This contains little or no violence, no strong language, and little or no sexual dialog or situations.

TV-Y7

Directed for older children.
Themes and elements in this program may include mild physical or comedic violence, or may frighten children under the age of seven.

TV-Y

All children.
The themes and elements in this program are specifically designed for a very young audience, including children from ages two – six.

TV (FCC) Content Sub-Categories:

- D:** Dialog...sexual innuendo.
- L:** Offensive language.
- S:** Sexual Situation
- V:** Violence.
- FV:** Fantasy or cartoon violence.

Parental Control

Movie Ratings

Blocks movies according to the movie ratings limits specified so children cannot view certain movies. Applies to movies broadcasted on TV and allows you to select which ratings you want blocked.

1. After inputting the password, press the **Down** or **Up** button to choose **Program Block**.
2. Press the **OK** button and then press the **Down** or **Up** button to select **U.S. Movie Ratings**.
3. Press the **OK** button.
4. Press the **Down** or **Up** buttons to choose and **OK** button to set up the menu options for U.S. Movie Ratings.
5. Press the **MENU** button to return to the previous menu.

The MPAA Rating System (Movies)

G

General Audience.

PG

Parental guidance suggested.

PG-13

Parents strongly cautioned.

R

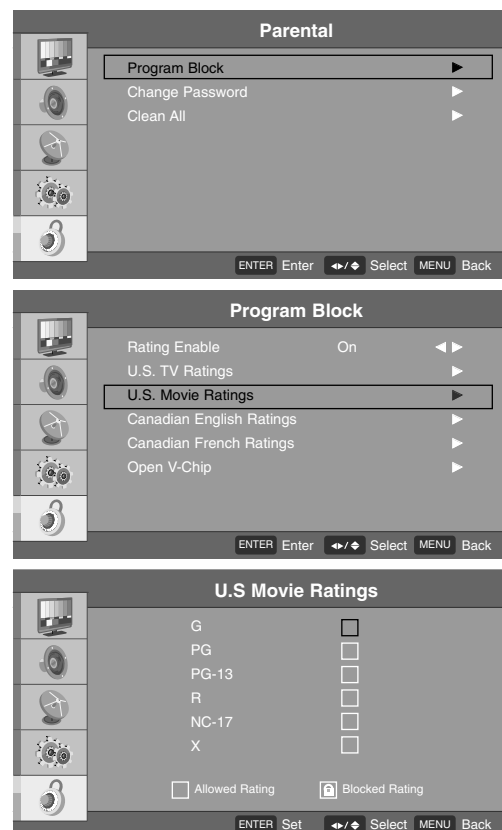
Restricted.

NC-17

No one 17 and under admitted.

X

Adults only.



NOTE

- If you set PG-13 : G and PG movies will be available, PG-13, R, NC-17 and X will be blocked.

Parental Control

TV Rating English for Canada

Selecting canadian english language rating system.

1. After inputting the password, press the **Down** or **Up** button to choose **Program Block**.
2. Press the **OK** button and then press the **Down** or **Up** button to select **Canadian English Ratings**.
3. Press the **OK** button.
4. Press the **Down** or **Up** buttons to choose and **OK** button to set up the menu options for Canadian English Ratings.
5. Press the **MENU** button to return to the previous menu.

Canadian English Ratings

C

Children

C8+

Children eight years and older

G

General programming, suitable for all audiences

PG

Parental Guidance

14+

Viewers 14 years and older

18+

Adult programming



Parental Control

TV Rating French for Canada

Selecting canadian french language rating system.

1. After inputting the password, press the **Down** or **Up** button to choose **Program Block**.
2. Press the **OK** button and then press the **Down** or **Up** button to select **Canadian French Ratings**.
3. Press the **OK** button.
4. Press the **Down** or **Up** buttons to choose and **OK** button to set up the menu options for Canadian French Ratings.
5. Press the **MENU** button to return to the previous menu.

Canadian French Ratings

G

General

8 ans+

General-Not convenient for little children

13 ans+

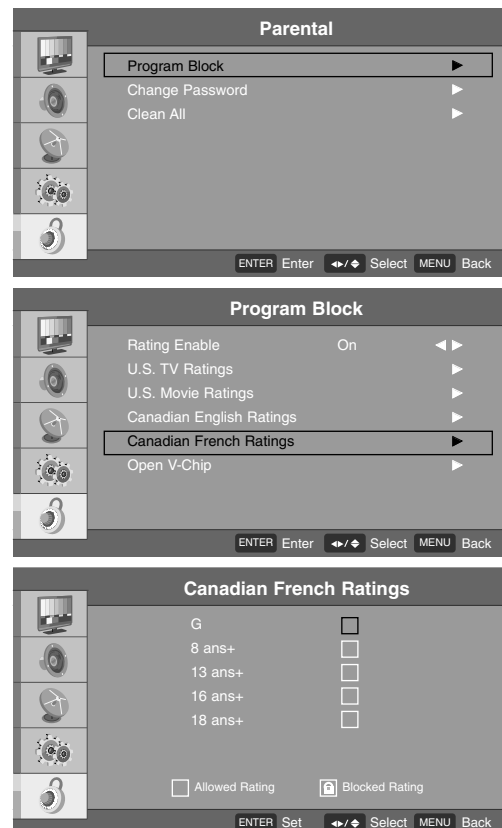
Not convenient for children of 13 years and younger

16 ans+

Not convenient for children of 16 years and younger

18 ans+

This programs is only for adult



Parental Control

Downloadable Rating

Your TV's OSD (On Screen Display) may differ slightly from what is shown in this manual.

1. After inputting the password, press the **Down** or **Up** button to choose **Program Block**.
2. Press the **OK** button and then press the **Down** or **Up** button to select **Open V-Chip**.
3. Press the **OK** button twice.
4. Press the **Down** or **Up** buttons to choose the menu options for Open V-Chip.
5. Press the **OK** button.
6. Press the **MENU** button to return to the previous menu.



NOTE

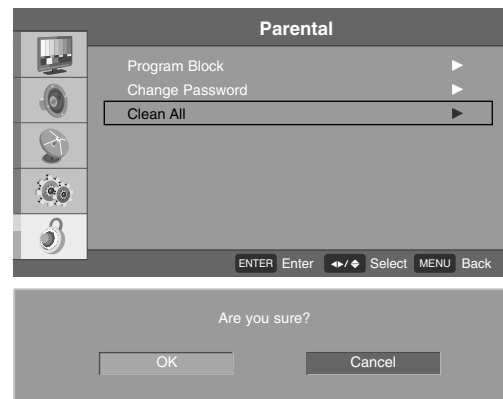
- This function may become available in the future and will be available only for digital channel signal.
- This function operates only when TV has received Region5 Rating data.

Parental Control

Clean All

Use to quickly clean the Program Block menu options.

1. After inputting the password, press the **Down** or **Up** button to choose **Clean All**.
2. Press the **OK** button and then press the **Left** or **Right** button to select **OK**.
3. Press the **OK** button to clean the Program Block menu options.
4. Press the **MENU** button to return to the previous menu.

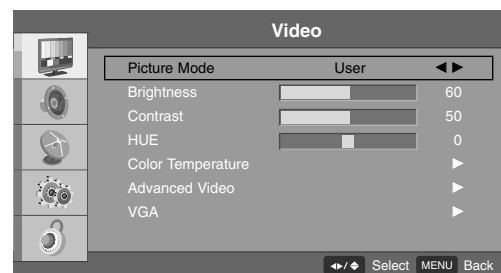


Setting the PC Mode

Auto Picture Controls

Picture Mode adjusts the set for the best picture appearance. Select the preset value in the Picture Mode menu.

1. Press the **MENU** button and then press the **Down** or **Up** button to select the **Video**.
2. Press the **OK** button and then press the **Down** or **Up** button to select **Picture Mode**.
3. Press the **Left** or **Right** button to select **Soft**, **Standard**, **Vivid** or **User**.
4. Press the **MENU** button to return to the previous menu.



Soft

Select this option to display with a soft image.

Standard

The most general and natural screen display status.

Vivid

Select this option to display with a sharp image.

User

Select this option to use the user-defined setting.

NOTE

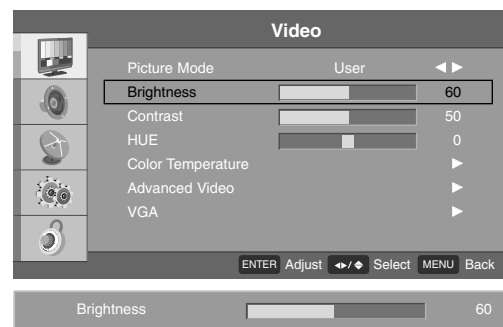
- Select the **VGA** mode by pressing **SOURCE** button.
- If you want to select **Picture Mode** directly, press the **PICTURE** button.
- Every time you press the button, it will switch between **Soft**, **Standard**, **Vivid** or **User**.
- When you adjust **Brightness**, **Contrast**, **HUE**, **Picture Mode** changes to **User**.

Setting the PC Mode

Manual Picture Controls

You can adjust picture Brightness, Contrast and HUE to the levels you prefer.

1. Press the **MENU** button and then press the **Down** or **Up** button to select the **Video**.
2. Press the **OK** button and then press the **Down** or **Up** button to select desired picture option. (**Brightness, Contrast, HUE**)
3. Press the **OK** button and then press the **Left** or **Right** button again to make appropriate adjustments.
4. Press the **MENU** button to return to the previous menu.



Brightness

Increases or decreases amount of white in the your picture.

Contrast

Adjusts the difference between the light and dark levels in the picture.

HUE

Adjusts the balance between red and green levels.

NOTE

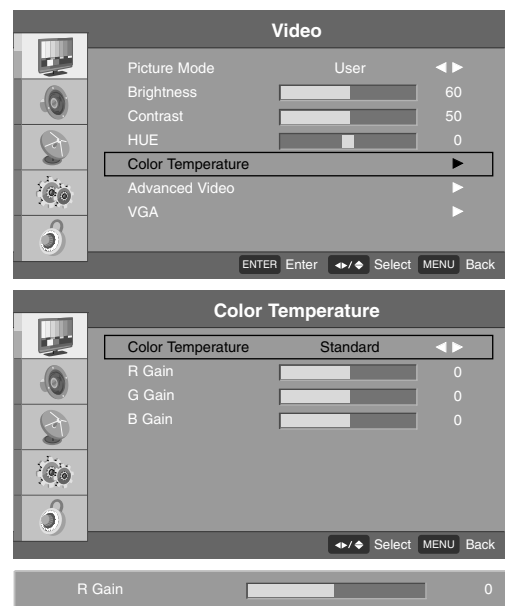
- Select the **VGA** mode by pressing **SOURCE** button.

Setting the PC Mode

Color Temperature

Adjusts the display to your desired color temperature.

1. Press the **MENU** button and then press the **Down** or **Up** button to select the **Video**.
2. Press the **OK** button and then press the **Down** or **Up** button to select **Color Temperature**.
3. Press the **OK** button and then press the **Left** or **Right** button to select **Cool**, **Standard**, **Warm** or **User**.
4. Press the **Down** or **Up** button to select desired color item.
5. Press the **OK** button and then press the **Left** or **Right** button to make appropriate adjustments.
6. Press the **MENU** button to return to the previous menu.



NOTE

- When you adjust **R Gain**, **G Gain**, **B Gain** or **Color Temperature** change **Picture Mode** to **User**.

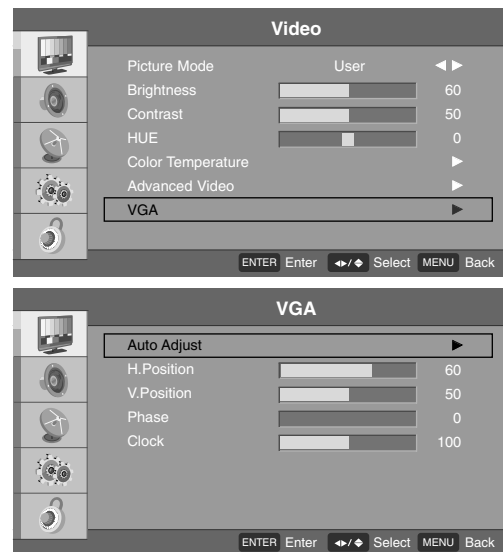
Setting the PC Mode

Auto Adjustment

This function is for the automatic adjustment of the screen position, clock, phase and scale in pc mode. The displayed image will disappear for a few seconds while the auto configuration is in progress. Although the image is still not correct, your set is functioning properly but needs further adjustment.

1. Press the **MENU** button and then press the **Down** or **Up** button to select the **Video**.
2. Press the **OK** button and then press the **Down** or **Up** button to select **VGA**.
3. Press the **OK** button and then press the **Down** or **Up** button to select **Auto Adjust**.
4. Press the **OK** button to start auto adjust.
5. If picture needs to be adjusted more after Auto Adjust, you can adjust manually.

For more information on Manual Adjust, refer to the next page.



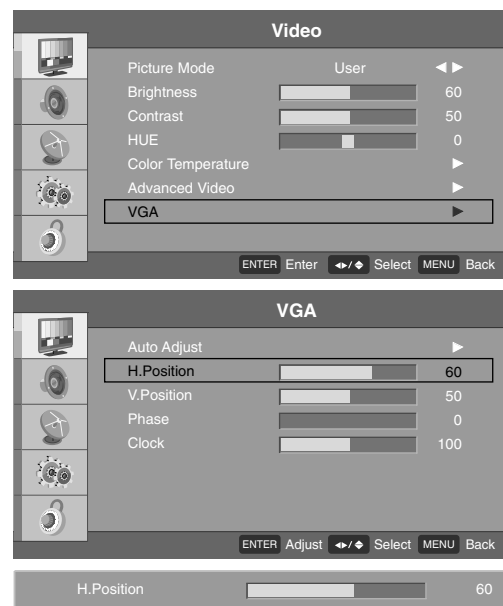
Setting the PC Mode

Manual Adjustment

If the picture isn't clear after auto adjustment and especially if characters are still trembling, adjust the picture phase manually.

To correct the screen size, adjust **Clock**.

1. Press the **MENU** button and then press the **Down** or **Up** button to select the **Video**.
2. Press the **OK** button and then press the **Down** or **Up** button to select **VGA**.
3. Press the **OK** button and then press the **Down** or **Up** button to select **H.Position** or **V.Position**.
4. Press the **OK** button and then press the **Left** or **Right** button to make appropriate adjustments.
5. Press the **Down** or **Up** button to select **Phase** or **Clock**.
6. Press the **OK** button and then press the **Left** or **Right** button to make appropriate adjustments.
7. Press the **MENU** button to return to the previous menu.



H.Position

This function is to adjust horizontal position of screen.

V.Position

This function is to adjust vertical position of screen.

Phase

This function allows you to remove any horizontal noise and clear or sharpen the image of characters.

Clock

This function is to minimize any vertical bars or stripes visible on the screen background. And the horizontal screen size will also change.

Special Functions

Picture Format

You can watch the screen in various picture formats; 4:3, ZOOM, Auto, Full.

If a fixed image is displayed on the screen for a long time, that fixed image may become imprinted on the screen and remain visible.

Repeatedly press the **ZOOM** button to select your desired picture format.

- **4:3**
Following selection will lead you to view a picture with an original 4:3 aspect ratio, with gray bars appearing at both the left and right sides.
- **ZOOM**
When your set receives the wide screen signal, when selected it will adjust the picture horizontally, in nonlinear proportion, to fill the entire screen.
- **Auto**
When your set receives the wide screen signal, it will change automatically the picture format that has been sent.
- **Full**
You can enjoy the cinema or general TV program through the 16:9 mode.
The screen 16:9 is viewed just like that but the screen 4:3 is magnified to the left and right so that the screen 16:9 is full.

NOTE

- You can only select **4:3**, **Zoom**, **Auto** and **Full** below 480p.
- You can only select **4:3** and **Full** above 720p.
- You can only select **4:3** and **Full** in **VGA** mode.

Specification

Model		LT42U52P
Dimension	Horizontal	1025 mm
	Height	725 mm
	Thickness	329 mm
Weight		23 kg
Contrast Ratio		1,300:1
Brightness		500 cd/m ²
Panel Resolution		1920 (H) x 1080 (V)
Display Color		1.06B colors
Audio Output		5W + 5W
Consumption		205W
External Port		<ul style="list-style-type: none"> ● HDMI / DVI IN 1 ● HDMI IN 2 ● RGB IN (PC) ● AV IN ● S-VIDEO ● COMPONENT 1 ● COMPONENT 2 ● AUDIO IN (RGB / DVI) ● DIGITAL AUDIO OUT (COAXIAL) ● ANTENNA / CABLE IN ● AC IN

Troubleshooting

Problem	Check Point
No picture on screen.	<ul style="list-style-type: none"> ● Check whether the set is turned on. ● Power cord inserted into wall outlet? ● Test if there is power coming from the wall outlet by plugging in another product into the wall outlet where the set's power cord was plugged in.
The remote control doesn't work.	<ul style="list-style-type: none"> ● Check to see if there is any object between the set and the remote control causing obstruction. ● Check to see if the batteries are installed with the correct polarities. ● Install new batteries.
Picture appears slowly, after switching on.	<ul style="list-style-type: none"> ● This is normal as the image is muted during the start up process of the set. Please contact your service center, if the picture has not appeared after five minutes.
No or Poor color	<ul style="list-style-type: none"> ● Select color in the Picture menu and press the Left or Right button.
Horizontal/Vertical bars or picture shaking	<ul style="list-style-type: none"> ● Check for local interference such as a nearby electrical appliance or power tool.
Unusual sound from inside the set.	<ul style="list-style-type: none"> ● A change in ambient humidity or temperature may result in an unusual noise at the time of switching off or on of the set and does not indicate a fault with the set.

MEMO

MEMO

DIGITAL TV

P/NO : 3350GDKM0057A
GPN08MA033C