

# **INSTRUCTION MANUAL**

## **PORTABLE STEREO RADIO CD/MP3/USB/SD CARD/BLUETOOTH PLAYER**

**Model: CD328BT**



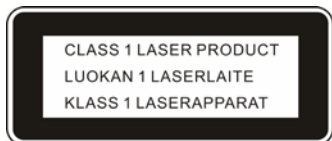
**IMPORTANT:** Please read before using and keep for future reference.

## IMPORTANT NOTES

### CAUTION

Use of controls or adjustment or performance of procedures other than those specified herein may result in hazardous radiation exposure.

### DANGER



This Compact disc player is classified as a Class 1 LASER PRODUCT.

THE CLASS 1 LASER PRODUCT label is located on the rear exterior.


**NOTE:** The manufacturer is not responsible for any radio or TV interference caused by unauthorized modifications.

- Avoid installing the unit in locations described below:
  1. Places exposed to direct sunlight or close to heat radiating appliances such as electric heaters, or other equipments that radiate too much heat.
  2. Places subjected to constant vibration.
  3. Unventilated or dusty places.
  4. Humid or moist places.
- Operate buttons and switches as instructed in the manual.
- Before turning on the power for the first time, make sure that the power cord is properly installed and the voltage switch is correctly set.
- Store your CD or other devices in a cool area to avoid damage from heat.

**CAUTION:** TO REDUCE THE RISK OF ELECTRIC SHOCK, DO NOT REMOVE COVER (OR BACK). DO NOT OPEN THE UNIT. ANY SERVICING PLEASE REFER TO QUALIFIED SERVICE PERSONNEL.

### WARNING:

- Remove batteries if exhausted or if they will not be used for a long period.
- The incorrect use of batteries can cause electrolyte leakage and will corrode the compartment or cause the batteries to burst. Therefore:
- Do not mix battery types, e.g. alkaline with zinc carbonate.
- When inserting new batteries, replace all batteries at the same time.

1. Read these instructions.
2. Keep these instructions.
3. Heed all warnings.
4. Follow all instructions.
5. Do not use this apparatus near water.
6. Clean only with dry cloth.
7. Do not block any ventilation openings. Install in accordance with the manufacturer's instructions.
8. Do not install near any heat sources such as radiators, heat registers, stoves, or other apparatus (including amplifiers) that produce heat.
9. Do not defeat the safety purpose of the polarized or grounding-type plug. A polarized plug has two blades with one wider than the other. A grounding-type plug has two blades and a third grounding prong. The wide blade or the third prong are provided for your safety. If the provided plug does not fit into your outlet. Consult an electrician for replacement of the obsolete outlet.
10. Protect the power cord from being walked on or pinched particularly at the plugs, convenience receptacles, and at the point where it exits from the apparatus.
11. Only use attachments/accessories specified by the manufacturer.
12. Use only with the cart, stand, tripod, bracket, or table specified by the manufacturer, or sold with the apparatus. When a cart is used, use caution when moving the cart/apparatus combination to avoid injury from tip-over. 
13. Unplug the apparatus during lightning storms or when unused for long periods of time.
14. Refer all servicing to qualified personnel. Servicing is required when the apparatus has been damaged in any way, such as power-supply cord or plug is damaged. Liquid has been spilled or objects have fallen into the apparatus, the apparatus has been exposed to rain or moisture, does not operate normally, or has been dropped.
15. This appliance should not be exposed to dripping or splashing water and no objects filled with liquids such as vases should be placed on apparatus.
16. The AC socket it is used to unplug the unit power cord and it must be easily accessible every time it is necessary.
17. No flames objects, like candles, must be placed on the unit.
18. Ventilation warning: The normal ventilation of the product shall not be impeded for intended use. Make sure there is enough space above and besides the holes. Install the unit in a place with suitable ventilation openings (around 7cm) .

#### **FCC Notice:**

NOTE: This equipment has been tested and found to comply with the limits for a Class B digital device, pursuant to Part 15 of the FCC Rules. These limits are designed to provide reasonable protection against harmful interference in a residential installation. This equipment generates uses and can radiate radio frequency energy and, if not installed and used in accordance with the instructions, may cause harmful interference to radio communications. However, there is no guarantee that interference will not occur in a particular installation. If this equipment does cause harmful interference to radio or television reception, which can be determined by turning

the equipment off and on, the user is encouraged to try to correct the interference by one or more of the following measures:

- Reorient or relocate the receiving antenna.
- Increase the separation between the equipment and receiver.
- Connect the equipment into an outlet on a circuit different from that to which the receiver is connected.
- Consult the dealer or an experienced radio/TV technician for help.

**WARNING:** Changes or modifications not expressly approved by the party responsible for compliance could void the user's authority to operate the equipment.

The device has been evaluated to meet general RF exposure requirement. The device can be used in portable condition without restriction.

IC Notice:

This device complies with Canada Industry licence-exempt RSS standard(s).

Operation is subject to the following two conditions:

- (1) this device may not cause interference; and
- (2) this device must accept any interference. Including interference that may cause undesired operation of the device.

CAN ICES-3 (B)

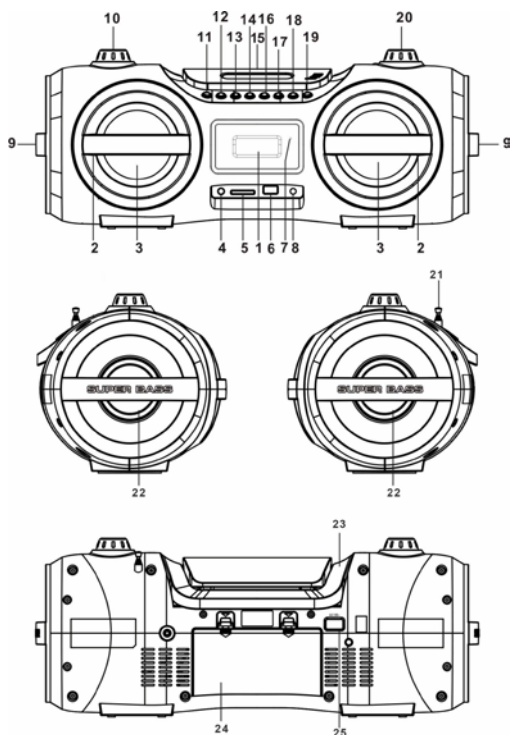
Avis d'Industrie Canada

Le présent appareil est conforme aux CNR d'industrie Canada applicables aux appareils radio exempts de licence. L'exploitation est autorisée aux deux conditions suivantes:

- 1) l'appareil ne doit pas produire de brouillage; et
  - 2) l'utilisateur de l'appareil doit accepter le brouillage radio électrique subi même si le brouillage est susceptible d'en compromettre le fonctionnement.
- mauvais fonctionnement de l'appareil.  
Cet appareil numérique de la classe B est conforme à la norme NMB-003 du Canada.

CAN NMB-3 (B)

## LOCATION OF CONTROLS



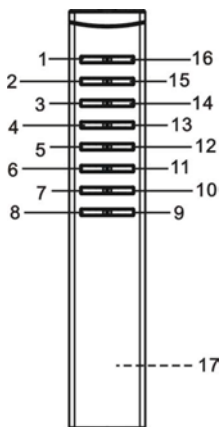
## NAMES OF CONTROLS

1. DISPLAY
2. SPEAKER DECORATION RING
3. LEFT/RIGHT SPEAKERS
4. PHONES JACK
5. SD CARD SLOT
6. USB PORT
7. STANDBY/PAIR INDICATOR
8. AUX IN JACK
9. PASSIVE SPEAKER DECORATION RING
10. VOLUME KNOB
11. FUNCTION BUTTON
12. EQ/LIGHT BUTTON
13. PROG./P-MODE BUTTON
14. BACK/FAST BACKWARD/-10 BUTTON
15. CD DOOR
16. NEXT/FAST FORWARD/+10 BUTTON
17. STOP BUTTON
18. PLAY/PAIR/PAUSE BUTTON
19. STANDBY BUTTON
20. TUNING KNOB
21. ANTENNA
22. LEFT/RIGHT PASSIVE SPEAKERS
23. HANDLE
24. BATTERY DOOR
25. AC SOCKET

## REMOTE HANDSET

### LOADING THE BATTERIES INTO THE REMOTE HANDSET

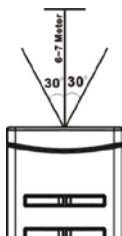
- Open the battery compartment cover.
- Insert two "AAA" batteries (not included) as indicated inside the battery compartment.
- Close the cover.



#### Key Functions:

1. FUNCTION BUTTON
2. TUN.-
3. STOP BUTTON
4. SKIP BACKWARD BUTTON
5. FOLD.+/+10/MEMORY+ BUTTON
6. MUTE BUTTON
7. PROG./MEMORY/P-MODE BUTTON
8. VOL- BUTTON
9. VOL+ BUTTON
10. DISCO LIGHT BUTTON
11. EQ/ID3
12. FOLD.-/-10/MEMORY- BUTTON
13. SKIP FORWARD BUTTON
14. PLAY/PAUSE/PAIR BUTTON
15. TUN.+
16. POWER/STANDBY BUTTON
17. BATTERY COMPARTMENT

### REMOTE CONTROL OPERATION



To operate the unit with the remote control, point the remote handset at the remote sensor on the front panel and press the appropriate button on the remote handset. The remote works best within a range of 6 ~ 7 meters from the front panel and on an angle of 30 degrees. Bright sunlight or room light conditions can interfere with the remote control. If the remote operation is unsatisfactory or stops working entirely, first try replacing the remote batteries, then try reducing the room lighting conditions.

## POWER SOURCE

This unit is designed to be operated on AC/DC.

## AC OPERATION

Plug the tail of supplied AC power cord into AC socket on unit and the plug into household AC outlet. The batteries will be automatically disconnected. This unit is designed in Switched-Mode Power Source with voltage range from 100V to 240V.

## DC OPERATION

Open the BATTERY COMPARTMENT DOOR. Install 8pcs UM-1/D size batteries (not included) into compartment. Please follow correct polarities as indicated.

NOTE: when using battery, take off the AC cable from unit.

### CAUTION:

Remove batteries if they are flat or not being used for a long period of time.

Batteries contain chemical substances, so they should be disposed of properly.

## BASIC FUNCTION

### SWITCHING ON THE UNIT

After connecting the power, press STANDBY button to unit or on remote control to turn on the unit. Press the FUNC. button on unit or on remote control to choose TUNER / CD / USB / AUX /SD CARD or BLUETOOTH function.

**NOTE:** In CD/MP3/USB/SD/AUX/BT mode when the unit is not providing the main function for 15 minutes, the unit will automatically switch into standby mode. To turn on the unit again, press "STANDBY" button or replug the unit.

**ESD hints** – The product maybe reset or not reset to operation of control due to electrostatic discharge, just switch off and reconnect again.

### VOLUME ADJUSTING

Rotate the VOLUME button on unit or on remote control to increase or decrease volume.

### EQ FUNCTION

This unit has a built-in equalizer system, Press EQ/LIGHT button on unit or EQ key on remote control while playing to select different music style (sound tone): FLAT, CLASSIC, ROCK, POP and JAZZ.

### HEADPHONE JACK

For private listening, insert a 3.5mm headphone (not included) into the HEADPHONE jack (4). The SPEAKER output would be automatically cut off.

**CAUTION:** LISTENING AT A HIGH VOLUME OVER A LONG PERIOD IS NOT GOOD FOR YOUR EARS.

### DISCO LIGHT

There are eight flashing modes of the disco light, press and hold the **EQ/LIGHT** button on unit or press the LIGHT KEY on remote control to choose the desired mode: "LIGHT 01" to "LIGHT 07",and "LIGHT 08" is auto-changing between different color . To turn off the disco light, press and hold the **EQ/LIGHT** button on unit or press the LIGHT KEY on remote control until "LIGHT OFF" shows on the display.

## RADIO OPERATION

### TUNING RADIO STATIONS

1. Press the FUNC. button on unit or on remote control to select the TUNER FUNCTION, this unit is designed for FM ONLY.
2. Tune to desired station by rotating the TUNING knob on unit or by pressing TUN+/▶▶ , TUN-/◀◀ key on remote control, the display will show the band frequency. Example: **FM 97.10** MHZ. If the radio receive Stereo signal, "STEREO" will show on the display.
3. Extend FM TELESCOPIC ANTENNA to its full length and gently move the unit back and forth to get the best reception, or place the unit in an open location.
4. To turn off the radio, press the FUNC. Button on unit or on remote control to switch to other functions or press STANDBY button on unit or on remote control to turn off the unit

### RADIO AUTO SCAN (SEARCH)

Press the ▶| /PAIR button on unit or ▶| key on remote control, the unit will conduct auto scan and program until having found a strong signal. The unit will start to broadcast the P01 after searching finished.

Press the ▶▶ /+10 button on unit or FOLD./10/M UP/DOWN key on the remote control to choose next programmed station.

### RADIO STATION MEMORY OPERATION

You may pre-store 30 (FM) radio stations in memory for your preference, so as you can listen to your desired station directly and quickly, no need to tuning and search for again.

1. Press PROG./P-MODE button on unit or press MEMORY KEY on remote control, "P01" will flash on the display. Then rotate the TUNING knob on the unit or press TUN-/◀◀ or TUN+/▶▶ on remote control to select the first desired station.
2. Press PROG./P-MODE button on unit or MEMORY KEY on remote control, then press the ▶▶ /+10 button or ◀◀ /-10 on unit or TUN-/◀◀ or TUN+/▶▶ key on remote control to choose the desired sequence you want to store, then press the PROG./P-MODE button on unit or press MEMORY key on remote control again to enter.
3. Search another station, repeat steps (1) & (2) until all desired stations stored. Up to 30 stations can be programmed.
4. Press the ◀◀ /-10 or ▶▶ /+10 or FOLD./10/M UP/DOWN button on remote to listen to the stored station directly.

## CD/MP3 OPERATION

### Discs for Playback

This system can playback all digital audio CD/MP3, finalized digital audio CD-Recordable (CD-R) discs, finalized digital audio CD-Rewritable (CD-RW) discs and CD-DA format digital audio CD/CD-R/CD-RW discs.

### LOADING A DISC

1. Press the FUNCTION button on unit or on remote control to select "CD" mode.
2. Press the PUSH TO OPEN button to open the CD door, "OPEN" will be shown on the display.
3. Place an audio CD/MP3 DISC into the tray with the front side facing up.
4. Close the CD door.



The display will show a flashing "READING", then the total number of tracks would be shown and the playback will start from track.

5. To remove the CD, press ■ STOP button on unit or on remote control to turn off the unit, then press the PUSH TO OPEN button to open the CD compartment lid. Hold the CD by its edges, and take it out carefully.

#### **Note:**

1. Make sure the disc is stopped before opening the CD DOOR.
2. To ensure good system performance; wait until the unit completely reads the disc before proceeding.
3. If no disc loaded into the tray, or the disc is unreadable, the display will show "NO DISC".

## **PLAYING A DISC**

1. The playback starts from track 1 automatically when reading the disc.  
To pause playback, press ►II / PAIR button on unit or ►II key on remote control. The current playing time will flash on the display.  
To resume playback, press ►II / PAIR button on unit or ►II key on remote control again.
2. To stop playback, press ■ STOP button on unit or on remote control, the total number of tracks will show on the display.

## **SELECTING A DESIRED TRACK/PASSAGE**

### **To select a desired track**

Press the ►► /+10 or ◀◀ /-10 button on unit or "TUN+/ ►►" or "TUN-/ ◀◀" key on remote control on stop mode or during playing until the desired track appears on the display. It will start play automatically.

### **To search for a particular passage during playback (track scanning at high speed)**

Press and hold the ►► /+10 or ◀◀ /-10 button on unit or TUN+/►► or TUN-/◀◀ key on remote control to scan the current playing track at high speed until desired point (passage) appears, then release the button for normal playback mode. Playback will start again from this point.

### **To select a song which track number exceeds 10 (for MP3 disc only)**

To select a song/track which number exceeds 10, press and hold the ►► /+10 button on unit in stop mode or press FOLD./10/M UP button on the remote control during playback each time to skip forward 10 tracks in stop mode, then press the ►► /+10 button on unit or TUN+/►► key on remote control to select desired track.

### **To select a desired folder (for MP3 disc that contains more than one folder)**

To select a desired folder during playback, press and hold the FOLD./10/M UP/DOWN button on the remote control to next/previous folder.

## **PROGRAMING TRACKS**

Programming tracks of disc are possible when playback is stopped. Up to 20 tracks for CD disc and 99 tracks for MP3 disc can be stored in the memory in any order.

1. In stop mode, press the **PROG./P-MODE** button on unit or **P-MODE** key on remote to enter program setting, the **PROG** logo will flash on the display and show **PO1**.
2. Press the ►► /+10 button on unit or TUN+/►► on remote control to select the first desired track to be programmed. (example: track 2)
3. Press the **PROG./P-MODE** button on unit or **P-MODE** key on remote to enter. The display would flash **PROG** and show **PO2**.
4. Repeat steps 2 & 3 to store other desired tracks until all tracks programmed.

5. Press the **▶||/PAIR** button on unit or **▶||** key on remote control to start playback from the first programmed track.
6. Press the **■ STOP** button on unit or on remote control to stop program playback.  
To clear the program, you may press **■ STOP** button on unit or on remote control when the disc stopped and open the CD compartment lid, the program will be erased.

## REPEAT PLAY

You can play one track or all tracks on the disc repeatedly.

### To Repeat a Single Track

1. Press **PROG./P-MODE** button on unit or press **P-MODE** key on remote control during play, the display will show a steady "**↺**" and the current track will be played over and over again till you press the **■ STOP** button on unit or on remote control.
2. To cancel repeat play, press **PROG./P-MODE** button on unit or press **P-MODE** key on remote control until "**↺**" disappears from the display.

### To repeat all the Tracks

1. Press **PROG./P-MODE** button on unit or press **P-MODE** key on remote control until "**↺ ALL**" shows steadily on the display, all tracks on the disc will be played over and over again till you press the **■ STOP** button on unit or on remote control.
2. To cancel repeat play, press the **PROG./P-MODE** button on unit or press **P-MODE** key on remote control until "**↺ ALL**" disappears from the display.

### To repeat the folder (only for MP3 disc which contains more than one folder)

1. Press the **PROG./P-MODE** button on unit or press **P-MODE** key on remote control until "**↺ DIR**" show steadily on the display, the current folder will be repeated over and over again till you press the **■ STOP** button on unit or on remote control.
2. To cancel repeat play, press the **PROG./P-MODE** button on unit or press **P-MODE** key on remote control until "**↺ DIR**" disappear from the display.

## RANDOM PLAY

Press the **PROG./P-MODE** button on unit or **P-MODE** key on remote control in play mode till the "RAN" shows steadily on the display, the random play will start from next track automatically, until all tracks are played over and then it will stop. Press the **PROG./P-MODE** button on unit or **P-MODE** key on remote control again until the "RAN" disappears from the display to cancel.

## INTRO PLAY

Press the **PROG./P-MODE** button on unit or press **P-MODE** key on remote control in play mode till the "INTRO" shows steadily on the display, the intro play will start and scan 10 seconds for every track. To cancel intro play, press the **PROG./P-MODE** button on unit or press **P-MODE** key on remote control until "INTRO" disappear from the display.

## LISTENING TO USB/SD CARD

### USB OPERATION

1. Press the **FUNCTION** button on unit or on remote control to to select "USB" mode.
2. Connect the USB to the USB INPUT. The LCD will show the total number of tracks stored in the USB. The playback starts from track 1 automatically after reading the USB.
3. To pause playback, press **▶||/PAIR** button on unit or **▶||** key on remote control. The current playing time will flash on the display.  
To resume playback, press **▶||/PAIR** button on unit or **▶||** key on remote control again.

4. Press the **■ STOP** button on unit or on remote control to stop playing. The display will show total number of USB and STOP.
5. Proceed program play/repeat play (repeat 1- repeat folder - repeat all)/random play/intro play operation as the same described in above "CD/MP3 OPERATION".
6. It supports 32GB (USB)

#### **CAUTION:**

- ▶ Do not use any USB extension cable for connecting the USB bar which may cause harmful interference

#### **SD CARD OPERATION**

1. Press the **FUNC.** button on unit or on remote control to select "CARD" mode.
2. Connect the SD CARD to the SD INPUT. The LCD will show the total number of tracks stored in the SD CARD. The playback starts from track 1 automatically after reading.
3. To pause playback, press **▶II/ PAIR** button on unit or **▶II** key on remote control. The current playing time will flash on the display.  
To resume playback, press **▶II/PAIR** button on unit or **▶II** key on remote control again.
4. Press the **■ STOP** button on unit or on remote control to stop playing. The display will show total number of USB and STOP.
5. Proceed program play/repeat play (repeat 1- repeat folder - repeat all)/random play/intro play operation as the same described in above "CD/MP3 OPERATION".
6. It supports 32GB (SD CARD)

#### **BLUETOOTH OPERATION**

1. Press the **FUNC.** button on unit or on remote control to switch to BLUETOOTH function, the LCD will display "bT" and the Pair/Standby indicator will flash at high speed.
2. Turn on the Bluetooth function on the device, scan the unit "TY-CWU500" and connect, then input the password 0000 if required, the Pair/Standby blue light will light up to indicate connection done, and the display will show "BT". Press **▶II/PAIR** button on the unit or play key on the device to start playback. If the unit can't connect the relative Bluetooth within 2 minutes, press the **▶II/PAIR** button on unit or PAIR key on remote control to reconnect.
3. Rotate the VOLUME knob to your desired level.
4. Press **▶II /+10** button or **◀◀ /-10** on the unit or TUN+/ **▶II** or TUN-/ **◀◀** key on remote control to choose the desired track.
5. To stop playback, press **▶II /PAIR** button on unit or **▶II** key on remote control.  
**Note:** The Bluetooth works best within 10 meters.

#### **AUX-IN OPERATION**

1. Press the **FUNCTION** button on unit or on remote control to select "AUX" mode.
2. Insert the AUX line plug into the AUX IN jack (• 3.5mm) on the player, music from the device would be amplified and exported from the speakers.
3. Adjust the volume on the unit or on the device to your desired level.
4. Proceed play/pause and next/previous on the device.

## COMPACT DISC MAINTENANCE

1. Always use a compact disc bearing the mark as shown.



2. Notes on handling discs

- ✧ Removing the disc from its storage case and loading it.
- ✧ Do not touch the reflective recorded surface.
- ✧ Do not stick paper or write anything on the surface.
- ✧ Do not bend the disc.



### HANDLE DISC ONLY AS SHOWN

3. Storage

- ✧ Store the disc in its case.
- ✧ Do not expose discs to direct sunlight or high temperatures, high humidity or dusty places.



### DO NOT STORE NEAR HEAT

4. Cleaning a disc

- ✧ Should the disc become soiled, wipe off dust, dirt and fingerprints with a soft cloth.
- ✧ The disc should be cleaned from the center to the edge.



CORRECT



INCORRECT



FROM THE CENTRE TO THE EDGE

- ✧ Never use benzene, thinners, record cleaner fluid or anti-static spray.
- ✧ Be sure to close the CD door, so the lens is not contaminated by dust.
- ✧ Do not touch the lens.

## SPECIFICATIONS

### GENERAL

Power Requirement .....	AC100V-240V-60/50Hz
	DC 12V UM-1/D x 8pcs
Power consumption .....	48 Watts
Standby consumption .....	<0.5 Watts
Dimensions.....	21,0(D) x 49,2(W) x 19,8 (H) cm
Operation temperature.....	+ 5°C - + 35° C

### BLUETOOTH: 3.0 VERSION

### RECEIVER SECTION

Receiving Bands.....	FM
Frequency Range .....	FM 87.5 - 108 MHz

### COMPACT DISC SECTION

Optical Pickup.....	3-Beam Laser
Frequency Response .....	100Hz - 16KHz

### AUDIO SECTION

Power output .....	12.5W x 2
--------------------	-----------

### ACCESSORIES

Instruction Booklet .....	1
AC Cord .....	1

#### Note:

Specifications are subject to change for continuous improvement, we reserve the rights to modification without prior notice.