

Please read all instructions carefully and retain for future reference.

## Getting Started

Remove the appliance from the box.

Remove any packaging from the appliance.

Place the packaging inside the box and either store or dispose of safely.

## In the Box

Portable Bluetooth speaker

Aux cable

USB/DC power cable

Instruction manual

## Features

2 speaker channel output to meet high stereo music output

Built-in mic

Removable and rechargeable battery

Wireless music within 10 metres

Aux-in function

Bluetooth enabled and functions to match

Hands free answer and hang up function

## Safety Instructions

When using electrical appliances, basic safety precautions must always be followed.

Keep the appliance away from heat sources, direct sunlight, humidity, water and any other liquid.

Do not operate the appliance if it has been exposed to water, moisture or any other liquid to prevent against electric shock, explosion and/or injury to yourself and damage to the appliance.

Repairs to electrical equipment should only be performed by a qualified electrician. Improper repairs may place the user at serious risk of harm.

Do not use the appliance with wet hands.

Keep the appliance free from dust, lint etc.

Do not use this appliance for anything other than its intended use.

Keep the appliance out of reach of children. This appliance is not a toy.

This appliance contains no user serviceable parts. All repairs should be carried out by a qualified engineer; improper repairs may place the user at serious risk of harm.

Do not use the appliance at excessive audio levels as damage to hearing may occur.

Ensure that the battery compartment is secure.

Only use the batteries recommended.

Batteries are to be inserted with the correct polarity and should not be exposed to excessive heat sources such as fire and direct sunlight.

Remove batteries from the appliance when it is not being used for a long period of time.

Exhausted batteries should be removed from the appliance.

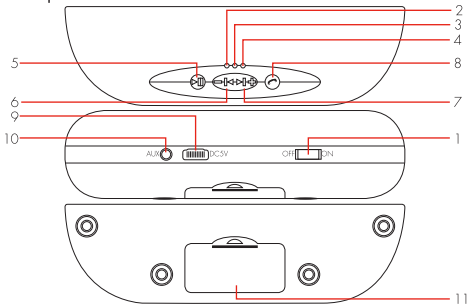
Supervise children with batteries at all times. Do not dispose of batteries in a fire.

Do not dispose of batteries in your household waste.

To dispose of the batteries, take them to your local recycling station. Contact your local government offices for details.



## Description of Parts



- |   |   |
|---|---|
| 1. On/Off button  | 5. Pause/Play                           |
| 2. Working indicator light (green)/charging indicator light (red) | 6. press for volume -                   |
| 3. MIC  | 7. press for volume +                   |
| 4. Bluetooth indicator light (blue)                               | 8. Hands free answer/Hands free hang up |
|   | 9. USB DC 5V                            |
|   | 10. Aux-in                              |
|   | 11. Battery cover                       |

## Instructions for Use

Open the battery compartment and place a rechargeable battery into the base of the speaker, following the polarity markings (+/-). Guide lines for this are marked on the base of the battery compartment.

Press the On/Off switch, the green light will illuminate and the blue light will flash fast, indicating that the Bluetooth function is available.

The Bluetooth user name is 'BT KB102H'.

The blue light will flash slower after the speaker has paired with the device.


The Bluetooth speaker can only match one signal at a time. The connection cannot be deleted whilst paired and can only be deleted once disconnected.

**Note:** An indicating sound will let you know that the speaker has paired/unpaired.

## Using the Hands Free Function

When a phone call is received, short press the  button to answer.

To end the phone call, short press the  button again.

Long press the  button to reject calls.

## Using the Aux-In Function

When using an Aux cable, volume-, volume+ and the pause/play functions do not work.

## Charging the Bluetooth Speaker

Connect the USB/DC cable to the Bluetooth speaker and then to any USB port; the green power indicator will turn to a red light.

**Note:** The battery will not charge during playback. Ensure that the speaker is turned off when charging. Playback will cut out intermittently as the battery life deteriorates.



## Care and Maintenance

Wipe clean with a soft, damp, lint-free cloth, ensuring that the speaker is not immersed in water or other liquid.

**Note:** Make sure that the USB/DC charger is not connected.

Do not expose the speaker to liquid, moisture or humidity to avoid the speaker's internal circuit being affected.

Do not use abrasive cleaning solvents to clean the speaker.

Do not expose the speaker to extremely high or low temperatures as this will shorten its life, destroy the battery or distort certain plastic parts.

Do not expose the speaker to sharp objects as this will cause scratches and damage.

Do not drop the speaker as the internal circuit may become damaged.

Do not attempt to disassemble the speaker as this may cause damage to the unit.

## Battery Information

Use only the size and type of batteries specified.

When using the batteries, follow the polarity shown in the battery compartment. Incorrect polarity could cause damage to the speaker.

If the speakers are not going to be used for a long period of time, remove batteries to prevent damage due to battery leakage.

Do not expose the batteries to fire as this can cause a leakage and/or an explosion.

Rechargeable batteries are only to be charged under adult supervision.

Only batteries of the same or equivalent types as those recommended should be used with this speaker.

## Troubleshooting

Problem	Possible Reason	Possible Solution
Bluetooth device cannot pair with the speaker.	Incorrect Bluetooth device name selected from available device list.	Make sure to select "BT KB102H".
Bluetooth connection distance cannot reach to 10 metres.	Electromagnetic interference.  Physical barriers (such as walls and furniture). Low battery.	Avoid operating the Bluetooth speaker in areas of strong electromagnetic interference, such as near induction cookers, large power fans, motors, etc. Move the speaker closer to Bluetooth device. Fully charge the speaker and try again.
No sound from the speaker in the Aux connection status.	Volume is set too low.	Increase the volume from the audio source and set it to the medium level.



Crackling sound from the speakers.	Problem with audio source.	Try another audio source.
Sound is distorted from the speaker.	<p>Volume level on the speaker system is set too high.</p> <p>Volume level on the audio source is set too high. The audio source is distorted.</p>	<p>Decrease the volume of the speaker.</p> <p>Check the volume or the audio source and decrease if necessary</p> <p>Mp3 files usually have poorer quality, noise and distortion is easily noticed at a higher volume. Try an alternate audio source.</p>

## Specification

Model Number: **KB102H**

Speaker Output: 2 x 3W

Battery Information: 800mAh, 3.7V Rechargeable

Operating Range: 10 Meters

Bluetooth Specification: Bluetooth V3.0+EDR

## FCC Statement

This equipment has been tested and found to comply with the limits for a Class B digital device, pursuant to Part 15 of the FCC Rules. These limits are designed to provide reasonable protection against harmful interference in a residential installation. This equipment generates uses and can radiate radio frequency energy and, if not installed and used in accordance with the instructions, may cause harmful interference to radio communications. However, there is no guarantee that interference will not occur in a particular installation. If this equipment does cause harmful interference to radio or television reception, which can be determined by turning the equipment off and on, the user is encouraged to try to correct the interference by one or more of the following measures:

- Reorient or relocate the receiving antenna.
- Increase the separation between the equipment and receiver.
- Connect the equipment into an outlet on a circuit different from that to which the receiver is connected.
- Consult the dealer or an experienced radio/TV technician for help.

This device complies with part 15 of the FCC Rules. Operation is subject to the following two conditions:

- (1) This device may not cause harmful interference, and (2) this device must accept any interference received, including interference that may cause undesired operation.

Changes or modifications not expressly approved by the party responsible for compliance could void the user's authority to operate the equipment.

