

iDEN 800MHz RRH User Guide

Written by	Reviewed by	Approved by
Joonyong Jang	Michael Yoon	Michael Yoon

Index

Contents

1. FCC Information ----- 3

2. Test Environment ----- 3

 2.1. Preperation List ----- 3

 2.2. Testing Environement Configuration ----- 3

 2.3. RRH Setup Procedure ----- 4

3. Network Configuration ----- 5

4. Operate GUI Program ----- 6

1. FCC Information

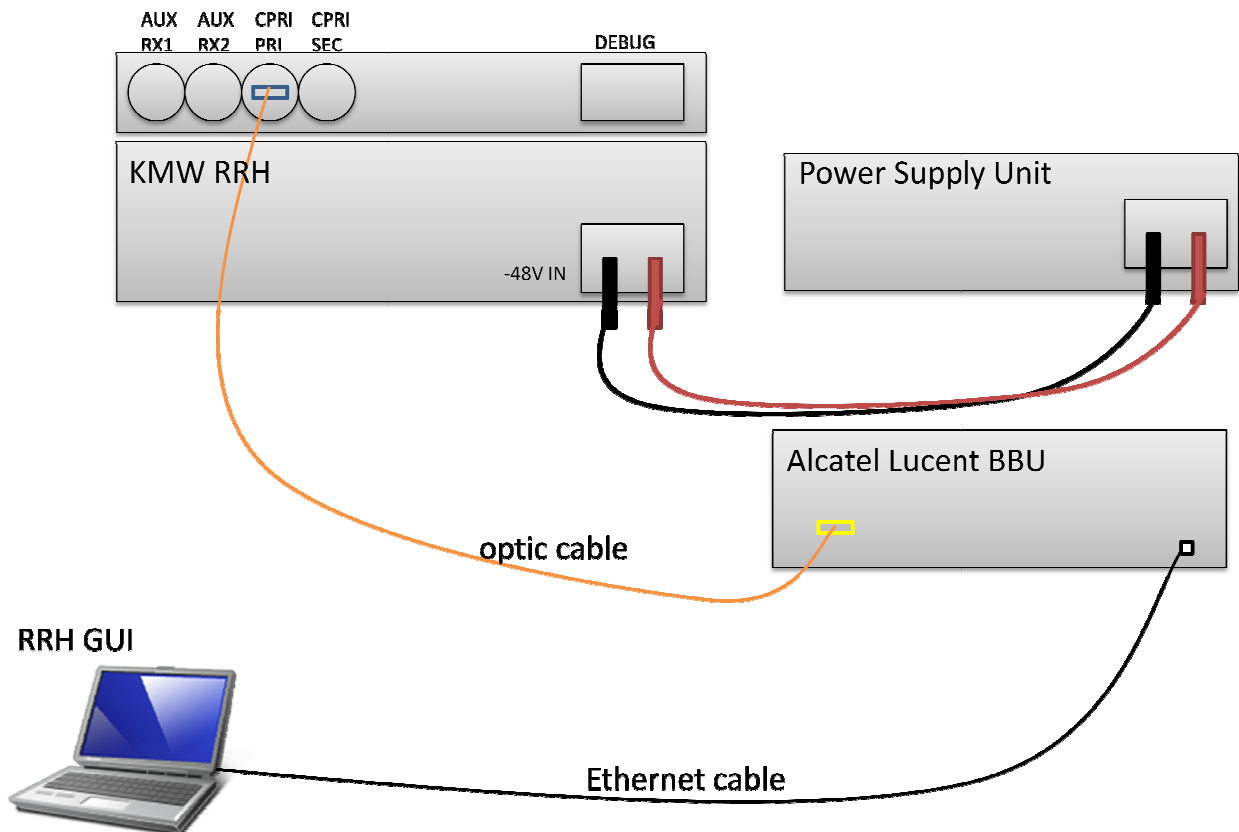
RF Exposure compliance must be addressed at the time of licensing.

2. Test Environment

2.1. Preparation List

- **iDEN 800MHz RRH (Remote Radio Head 800MHz)**
- PSU (Power Supply Unit)
- BBU (Base Band Unit, Alacaltel Lucent)
- Optic transceiver 2EA (Yellow- 1550nm, Blue- 1310nm)
- Optic Cable
- RJ45 Ehternet Cable
- Laptop computer for RRH GUI

2.2. Testing Environement Configuration



- PSU Setting Table

Voltage	Current Limit
Low : -38V	12 A
Normal : -48V	9.5 A
High : -57V	8 A

2.3. RRH Setup Procedure

- Checke PSU Power 48V off
- Connect PSU power to RRH Power connector
- Connect BBU and RRH with Optic transceiver and Optic cable
RRH side; Blue Transceiver (1310nm)
BBU side; Yellow Transceiver (1550nm)
- Turn on PSU to power up RRH
- Make sure computer to join RRH and BBU network.

If the computer joined the same network which BBU joined, it is able to access RRH network from the GUI.



3. Network Configuration

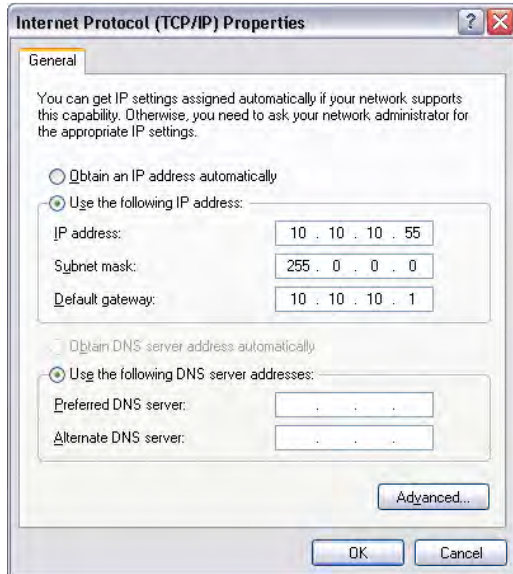
- **Setup computer network configuration**

IP: **assigned by ALU** (ex; 10.10.10.55)

Subnet mask: **255.0.0.0**

Default gateway: **assigned by ALU** (ex; 10.10.10.1)

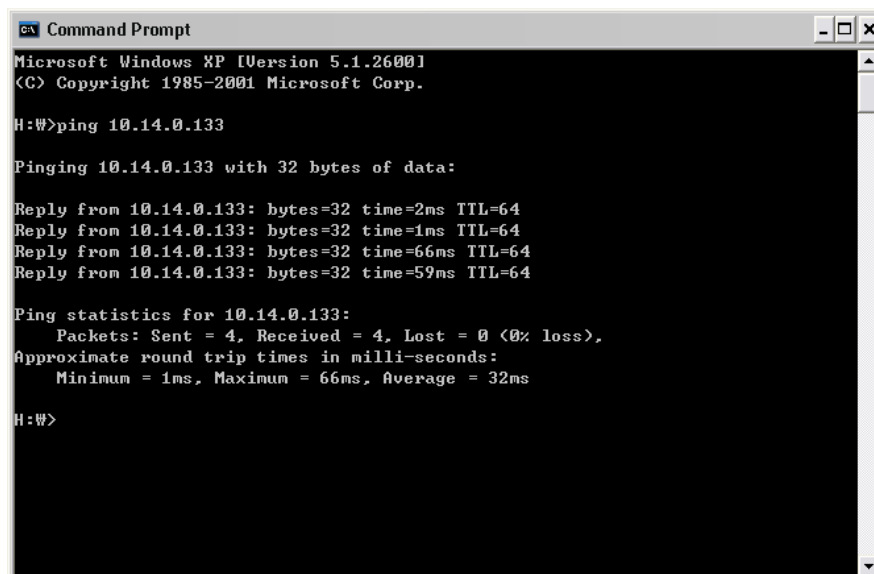
DNS: **assigned by ALU**



- **Test network configuration**

Windows Start > Run > CMD [Enter]

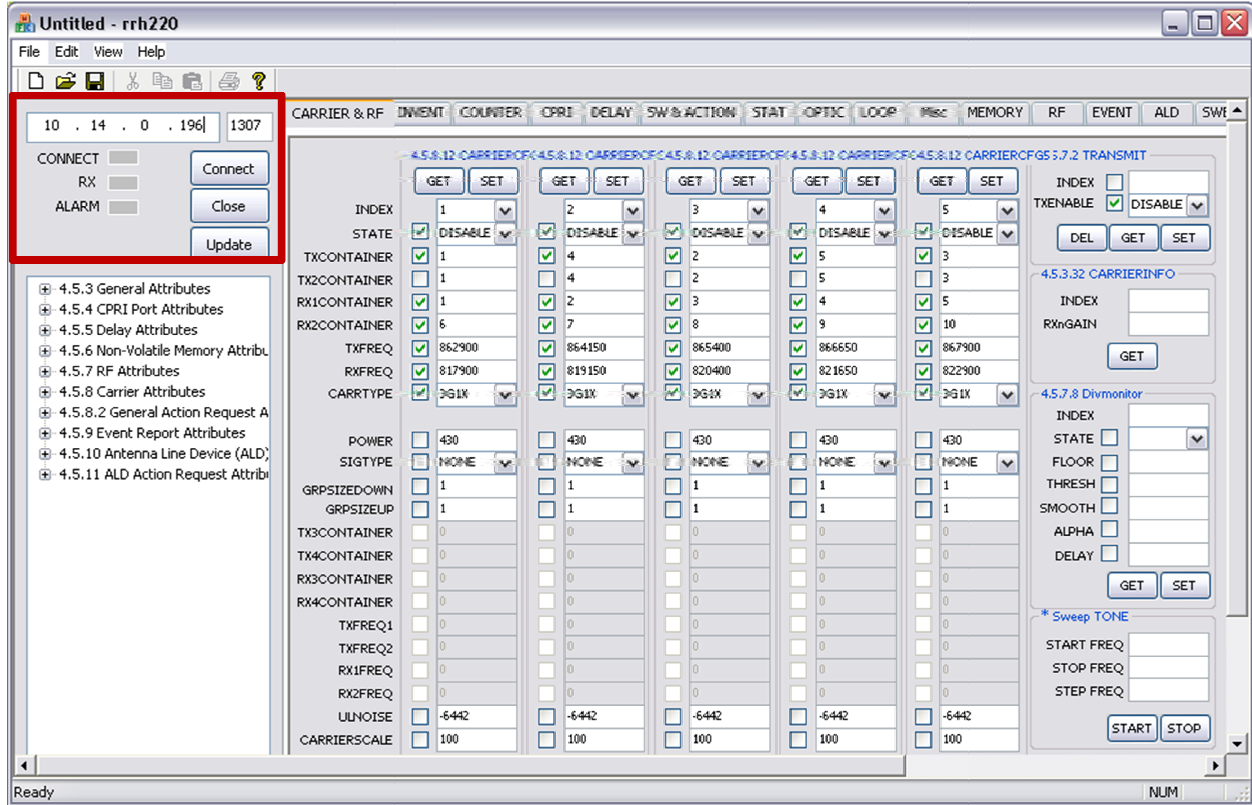
C:\> ping RRH IP(10.14.0.196) [Enter]



4. Operate GUI Program

- Run RRH GUI Program.

Input RRH's IP and click the Connect button



- Setup the carrier configuration on the index to turn on carrier power.

If you want to make CDMA single carrier configuration, please follow below setting and click (A) SET button.

Ex) 1FA setup with CDMA signam on Index 3 (Tx; 865.4MHz, Rx; 820.4MHz)

Index : 3

STATE : [v] Enable

TXCONTAINER : [v] 2

TX2CONTAINER : [v] 2

RX1CONTAINER : [v] 3

RX2CONTAINER : [v] 8

TXFREQ : [v] 865400

RXFREQ : [v] 820400

CARRTYPE : [v] 3G1X