



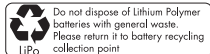
kitsound.co.uk

The Bluetooth® word mark and logos are registered trademarks owned by the Bluetooth SIG, Inc. and any use of such marks by Kondor Ltd. is under license. Other trademarks and trade names are those of their respective owners.

All trademarks are acknowledged as the property of their respective owners. Unless otherwise stated their use does not imply that the trademark owner is affiliated with KitSound or endorses the products herein.

Products showing the 'Crossed Through' wheelee bin symbol must be recycled separately from household waste at the end of their useful life. Please DO NOT dispose of this appliance in normal household waste. Your local appliance retailer may operate a 'take-back' scheme when you are ready to purchase a replacement product, alternatively contact your local government authority for further help and advice on where to take your appliance for recycling.

Please recycle this packaging responsibly.



JB. 6213-a / REG02 / Made in China. © KitSound is a trademark of Kondor Limited, 2018. Christchurch, Dorset, BH23 4FL, UK



DISTRICT TRUE WIRELESS EARBUDS

USER MANUAL



Please read this manual carefully before use.



Warning: To prevent possible hearing damage, do not listen at high volume levels for long periods. For your own safety, please be aware of your surroundings when using these headphones.
Not Suitable for Children



Warning: This product can expose you to chemicals including lead, which is known to the State of California to cause cancer and reproductive toxicity. For more information, go to www.P65Warnings.ca.gov

Safety warnings

The following information should be read before product use:

- Do not place any naked flame sources, such as lighted candles, on top of or inside the KS District True Wireless magnetic charging case
- Dispose of batteries responsibly and be aware of the environmental effects of battery disposal
- Do not expose the batteries (battery pack or batteries installed) to excessive heat, such as fire or the like

IPX5 sweat resistant

The District True Wireless Earbuds are IPX5 sweat resistant. Please note the charging case is not. **The earbuds are rated IPX5. This means it is protected from water jets from any direction but is not impervious to large amounts of water. Please do not totally immerse in water.**

- **Do not** expose the KS District True Wireless Earbuds or charging case to water while charging; this is very dangerous as doing so may result in personal injury and permanent damage to the speaker or power source
- IPX5 rating means the earbud can withstand a 6.3 mm spray of water (12.5 litres per minute) in any direction for at least 3 minutes without any harmful effects. We do not recommend leaving the earbuds or charging case outside at night in wet conditions or when it's raining. Store in a dry place when not in use, this will prolong the battery life of both the earbuds and charging case

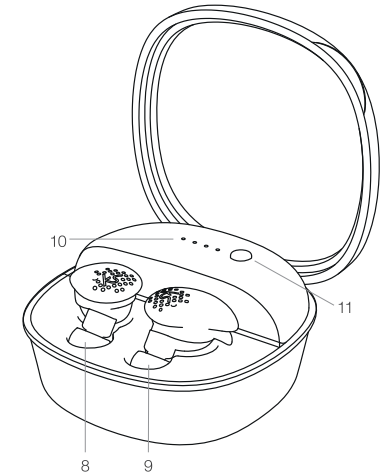
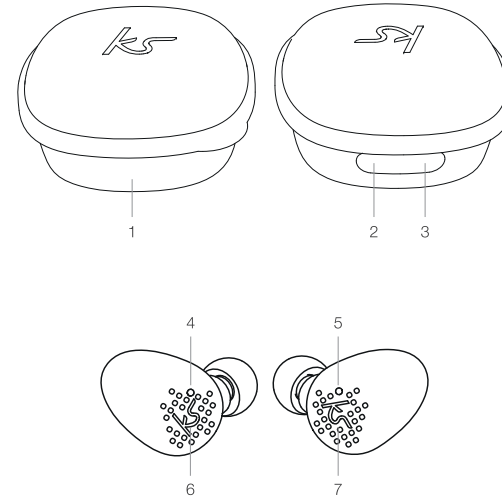


Box contents

- KS District True Wireless Earbuds
- KS District True Wireless magnetic charging case with external power bank
- Micro USB cable
- User manual

Functions

1. Charging case cover
2. Charging case micro-USB charging port
3. USB charge out port
4. Right earbud LED indicator
5. Left earbud LED indicator
6. Right earbud multi-function button (MFB)
7. Left earbud multi-function button (MFB)
8. Left earbud magnetic charging slot
9. Right earbud magnetic charging slot
10. Charging case LED indicators
11. Charging case LED indicator button





Charging the charging case using the micro USB cable

1. Place both KS District True Wireless Earbuds into the charging case, ensuring that the earbuds sit comfortably into the corresponding Left and Right magnetic charging slots (8,9).
2. Connect the micro USB end of the charging cable to the Charging case micro-USB charging port (2) and the standard USB end to a PC, Mac, or laptop USB port or USB mains charger.
3. The Charging case LED indicators (10) will flash blue whilst charging. They will be solid blue across all 4 indicators after approximately 3 – 4 hours to indicate that the charging case is fully charged.
4. You can now use your charging case, to charge a device and to charge your True Wireless Earbuds on the go.
5. If the first of the four Charging case LED indicators (10) flashes blue, then the battery is low, and the charging case will power off within five to ten minutes. You will need to recharge the case in order to charge your earbuds and any external device.

Charging the District True Wireless Earbuds using the charging case

1. Place both earbuds into the charging case, ensuring that the earbuds sit comfortably into the corresponding Left and Right magnetic charging slots (8,9).
2. The Right earbud LED indicator (4) and Left earbud LED indicator (5) will be solid red when charging. If you notice that either of the earbud LED Indicators (4, 5) are blue, please adjust them slightly until the LED indicators turn red to show they are charging.

After approximately 1.5 hours, the earbud LED Indicators (4,5) will turn off. The earbuds are now fully charged.

Charging an external device using the charging case

1. Connect the USB end of your device charging cable to the USB charge out port (3) of the charging case and then connect the device end to the device.
2. When the device is successfully charging, it should be indicated on your device and the Charging case LED indicators (10) will be solid blue.
3. If the first of the four Charging case LED indicators (10) flashes blue, then the battery is low and the charging case will power off within five to ten minutes. You will need to recharge the case in order to charge your earbuds and any external device.



Pairing the District True Wireless Earbuds to a Bluetooth device

1. Start by taking the District True Wireless Earbuds from the charging case. Long press the Right MFB (6) and Left MFB (7) together for 3 seconds. The Right earbud LED indicator (4) will then pulse and Left earbud LED indicator (5) will flash quickly. Your earbuds are now paired together.
2. Turn on your iOS, Android, or windows device's Bluetooth to ON and search for new devices.
3. Select 'KS District TWS' from the list of the found devices. If asked for a pass code, enter '0000' and the earbuds will then be connected to your device.
4. The next time the earbuds are switched on, they will automatically search for and attempt to connect to the last paired device. If no device is found, the earbuds will automatically go into pairing mode.

Functionality of District True Wireless Earbuds and Track Controls

Status	Button Action	LED	Sound Notification
Turn ON	Long press Right earbud MFB (6) and Left earbud MFB (7) together for 3 seconds.	Right earbud LED indicator (4) blue pulsing, Left earbud LED indicator (5) quickly flashing blue	Both earbuds: "Power on, connected", Left earbud "Left channel" Right earbud "Right channel"
Turn OFF	Whilst on, long press Right MFB (6) or Left MFB (7) for 2 seconds.	Red LED flashes once	Both earbuds: "Power off"
Pairing District Earbuds for the first time and once connected between the two earbuds	Long press Right MFB (6) and Left MFB (7) together for 8 seconds	Right earbud LED indicator (4) blue pulsing, Left earbud LED indicator (5) quickly flashing blue	Both earbuds: "Power on, connected", Left earbud "Left channel" Right earbud "Right channel" Both earbuds: "Pairing"

[continued...]



[...continued] **Functionality of District True Wireless Earbuds and Track Controls**

Status	Button Action	LED	Sound Notification
Connected to device		Right earbud LED indicator (4) blue pulsing once every 2 seconds. Left earbud LED indicator (5) blue pulsing once every 2 seconds.	Left earbud "Connected"
Disconnected		Right earbud LED indicator (4) blue pulsing once every 2 seconds. Left earbud LED indicator (5) blue pulsing once every 2 seconds.	Left earbud Disconnected"
Battery low		Right earbud LED indicator (4) and Left earbud LED indicator (5) flashing red twice every 2 seconds	Both earbuds "Low battery, please charge" (every 20 seconds)
Auto – off when battery is low			Both earbuds "Power off"

Status	Button Action	LED	Sound Notification
Charging		Right earbud LED indicator (4) and Left earbud LED indicator (5) solid red	
Charging complete		Right earbud LED indicator (4) and Left earbud LED indicator (5) OFF	
Vol+	Short press Right MFB (6)		
Vol-	Short press Left MFB (7)		
Next track	Long press Right MFB (6)		
Previous track	Long press Left MFB (7)		
Pause/Play	Double press Right MFB (6)	Right earbud LED indicator (4) and Left earbud LED indicator (5) blue pulse	

[continued...]



[...continued] **Functionality of District True Wireless Earbuds and Track Controls**

Status	Button Action	LED	Sound Notification
Incoming call		Right earbud LED indicator (4) and Left earbud LED indicator (5) blue pulse	Left earbud "incoming call + ringtone"
Accept call	Short press Left MFB (7)	Right earbud LED indicator (4) and Left earbud LED indicator (5) blue pulse	
Reject call	1 second long press Left MFB (7)	Right earbud LED indicator (4) and Left earbud LED indicator (5) blue pulse	
End call	1 second long press Left MFB (7)	Right earbud LED indicator (4) and Left earbud LED indicator (5) blue pulse	
Device voice assistant (Google, Siri)	Double press Left MFB (7)		"Beep tone"

Using your KS District True Wireless Earbuds with your device's voice assistant

- Double press Right MFB (6) to pause your music
- Double press Left MFB (7) to activate your voice assistant. Once you hear a beep, you are ready to use your voice assistant for various actions

Care for your District True Wireless Earbuds

Please DON'T:

- Get the District True Wireless charging case wet
- Submerge the earbuds or charging case
- Drop the District True Wireless Earbuds or charging case as this will invalidate your warranty
- Mechanically open up District True Wireless Earbuds or charging case as there are no user serviceable parts inside
- Expose the District True Wireless Earbuds or charging case to extreme temperatures or rapid changes of hot to cold or vice versa

Please DO:

- Clean the District True Wireless Earbuds and charging case with a soft dry cloth and no detergents



Battery information

- Your device is powered by a rechargeable battery. Unplug the charger from the electrical plug and the device when not in use
- If left unused, a fully charged battery will lose its charge over time. We recommend a full charge twice a month to ensure battery integrity
- Please do not leave the device in hot or cold places, such as in a closed car in summer or wintery conditions as it will reduce the capacity and lifetime of the battery
- Do not dispose of batteries in a fire as they may explode. Batteries may also explode if damaged

Specifications

Bluetooth® technology v5	
Bluetooth connectivity distance	up to 10 m
Frequency response	20 Hz – 20 kHz
Play time	up to 3 hours per use up to 40 hours play time with charging case
Battery type	LiPo, rechargeable
Transmission power	5.7 mW
Frequency band	2402 – 2480 MHz

Troubleshooting

If you cannot connect the earbuds to your device, please try the following:

- Ensure that the earbuds are charged, switched on, paired with, and connected to your device
- Check the earbuds are within 10 metres (30 feet) of your device and that there are no obstructions (such as walls or other electronic devices) between the earbuds and the device
- Only one device may be paired to these earbuds at a time, so please ensure there are no conflicting Bluetooth devices trying to connect to the earbuds
- If the earbuds will not switch off, they can be reset back to normal by putting them on charge
- If you receive an intermittent signal, please ensure the earbuds are fully charged before continuing use
- If you do not use the earbuds for longer than 10 minutes whilst not connected to a device, they will automatically power off to conserve power

We hope you've now got all the information you need to get started, but if you're having problems with anything, please feel free to contact us at: support@kitsound.co.uk



'Hereby, Kondor Ltd declares that the radio equipment type, KSDISTWS District True Wireless Earbuds, is in compliance with Directive 2014/53/EU. The full text of the EU declaration of conformity is available at the following internet address: <http://kondor.co.uk/product-documents>.'

FCC

This device complies with Part 15 of the FCC rules. Operation is subject to the following two conditions:

- (1) this device may not cause harmful interference, and
- (2) this device must accept any interference received, including interference that may cause undesired operation.

Warning: Changes or modifications not expressly approved by the party responsible for compliance could void the user's authority to operate the equipment.

NOTE: This equipment has been tested and found to comply with the limits for a Class B digital device, pursuant to part 15 of the FCC Rules. These limits are designed to provide reasonable protection against harmful interference in a residential installation. This equipment generates, uses and can radiate radio frequency energy and, if not installed and used in accordance with the instructions, may cause harmful interference to radio communications. However, there is no guarantee that interference will not occur in a particular installation. If this equipment does cause harmful interference to radio or television reception, which can be determined by turning the equipment off and on, the user is encouraged to try to correct the interference by one or more of the following measures:

- Reorient or relocate the receiving antenna.
- Increase the separation between the equipment and receiver.
- Connect the equipment into an outlet on a circuit different from that to which the receiver is connected.
- Consult the dealer or an experienced radio/TV technician for help.

US Responsible Party Information:

Name: Mobileistic, LLC

Address: 205 Marcus Boulevard, Hauppauge, New York 11788

Telephone: 631-531-9500

Email: support@mobileistic.com



IC

This device complies with Industry Canada's licence-exempt RSSs. Operation is subject to the following two conditions:

- (1) This device may not cause interference; and
- (2) This device must accept any interference, including interference that may cause undesired operation of the device.

Le présent appareil est conforme aux CNR d'Industrie Canada applicables aux appareils radio exempts de licence. L'exploitation est autorisée aux deux conditions suivantes :

- 1) l'appareil ne doit pas produire de brouillage;*
- 2) l'appareil doit accepter tout brouillage radioélectrique subi, même si le brouillage est susceptible d'en compromettre le fonctionnement.*

Please do not attempt to open this product. There are no user serviceable parts inside, in particular if your product has an embedded, non-replaceable battery, do not attempt to access or remove the battery as this may cause personal injury and will damage the product.

Making any attempt to open the product or carry out repair voids any and all warranties.



We apologise for any inconvenience caused by minor inconsistencies in these instructions, which may occur as a result of product improvement and development.