



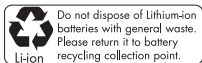
kitsound.co.uk

The *Bluetooth*® word mark and logos are registered trademarks owned by the Bluetooth SIG, Inc. and any use of such marks by Kondor Ltd. is under license. Other trademarks and trade names are those of their respective owners.

All trademarks are acknowledged as the property of their respective owners. Unless otherwise stated their use does not imply that the trademark owner is affiliated with KitSound or endorses the products herein.

Products showing the 'Crossed Through' wheellie bin symbol must be recycled separately from household waste at the end of their useful life. Please DO NOT dispose of this appliance in normal household waste. Your local appliance retailer may operate a 'take-back' scheme when you are ready to purchase a replacement product, alternatively contact your local government authority for further help and advice on where to take your appliance for recycling.

Please recycle this packaging responsibly.



JB. 6215-b / REG02 / Made in China. © KitSound is a trademark of Kondor Limited, 2018. Christchurch, Dorset, BH23 4FL, UK



KS DIGGIT BLUETOOTH® OUTDOOR SPEAKER

USER MANUAL



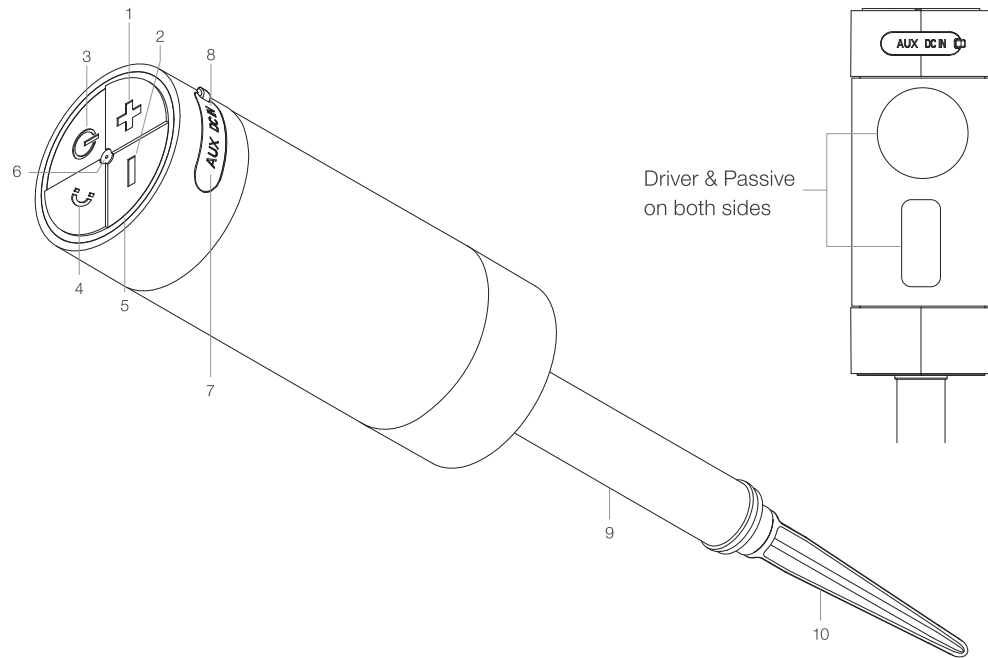
Please read this manual carefully before use.

Box contents

- KS DiggIt Bluetooth Outdoor Speaker
- Stake tube
- Stake
- 3.5 mm Aux cable
- Micro USB charge cable
- User manual

Functions

1. Volume+ / Next track
2. Volume- / Previous track
3. Power button
4. MFB (Multi-function button)
5. LED indicator
6. Microphone
7. Aux-in port
8. Micro USB charging port
9. Stake tube
10. Stake





KS DiggIt is IP55 water resistant

The speaker is rated IP55. The first 5 means that the speaker is protected against dust and contact. Limited ingress of dust permitted. The second 5 means it protects from water jets from any direction, but is not impervious to large amounts of water. Please do not directly immerse in water.

- To ensure that the KS DiggIt speaker is water resistant, please remove all cable connections and tightly close the AUX/DC IN cap; exposing the KS DiggIt speaker to liquids without doing so may result in permanent damage to the speaker.
- **Do not** expose the KS DiggIt to water while charging; this is very dangerous as doing so may result in personal injury and permanent damage to the speaker or power source.
- IP55 rating is defined as the speaker can stand water spray (water-carrying capacity 12.5 L/min) for up to 3 minutes.
- We do not recommend leaving the speaker outside at night time in wet conditions or when it's raining. Store in a dry place while not in use, this will prolong the speakers life.

Instructions for use

Charging the battery

Give the speaker a full charge before its first use.

1. Connect the supplied USB charging cable to the Micro USB charging port (8) and plug into power
2. The LED indicator (5) will be solid red whilst charging which will take up to 3 hours
3. Once fully charged the LED indicator (5) will turn off

Note: Allow up to 4 hours for the first charge. You can charge and play your speaker at the same time, but it needs extra charging time.

Battery protection mode

- If you haven't used the speaker for 90 days, the speaker will switch to battery protection mode automatically. To cancel the battery protection mode, connect the DiggIt to power, see point 1 of 'Charging the battery'.
- To keep the rechargeable battery in good condition, please discharge and recharge speaker every 3 months, even if you use it or not.

Note: For best sound quality when the battery is below 30%, it is best to charge the DiggIt.



LED lights indication

Pairing mode	Flash white quickly for new device pairing Flash white slowly for auto reconnection to last paired device
Paired in Bluetooth® mode and playing audio	Solid white
Paired in Bluetooth® but not playing audio	Flashing white
Aux-in mode	Flash white 2 times every 3 seconds
TWS pairing	Flash white slowly
Enter TWS mode	Solid white for slave speaker and flashing white quickly for master speaker
TWS paired with device but not playing audio	Master speaker flashing and slave speaker solid white
TWS paired with device and playing audio	Both speakers solid white
Battery below 30%	Flash red every 3 seconds
Charging battery	Solid red
Charging finish (around 95%)	Red LED off

Pairing the Diggit to your device

1. Long press Power button (3) to turn the speaker on and it will automatically enter pairing mode
2. Turn your iOS, Android, or Windows device's Bluetooth ON and search for new devices
3. Select 'KS Diggit'. If asked for a passcode, enter '0000', and the device will pair
4. Once connected an audio tone will sound and the LED indicator (5) will be a solid white if playing audio or slowly flashing white if not playing audio

Re-pairing or pairing new devices

1. Turn Bluetooth connectivity off on any previously paired devices

OR

2. Long press the MFB (4) to re-enter pairing mode
3. Follow the 'Pairing the Diggit to your device' instructions

Note: If a previously paired device is not present within the Bluetooth connectivity range then the speaker will re-enter pairing mode.



Playing music on your speaker

Bluetooth

When connected via Bluetooth, play music on your device and the sound will play through the speaker. Some devices may require you to select the audio output.

Auxiliary

1. Plug the Aux cable into the speaker's Aux-in port (7) and your device using the supplied cable
2. The LED indicator (5) will flash white

Once connected to the Diggit either wired or by Bluetooth, please follow the instructions on next page:

Function	Bluetooth mode	Auxiliary mode
Volume+	Short press Volume+ (1) on Diggit or use your device	Short press Volume+(1) on Diggit or use your device
Volume-	Short press Volume- (2) on Diggit or use your device	Short press Volume- (2) on Diggit or use your device
Next Track	Hold Volume+ (1) button for 2 seconds	N/A
Previous Track	Hold Volume- (2) button for 2 seconds	N/A
Play/Pause Track	Short press MFB (4)	Short press MFB (4)
Answer Call	Short press MFB (4)	N/A
End Call	Short press MFB (4)	N/A
Reject Call	Long press MFB (4)	N/A
Redial	Double press MFB (4)	N/A
Turn Off/On	Hold Power (3) button for 2 seconds	Hold Power (3) button for 2 seconds

Note: Call handling only works on the master speaker when in TWS mode.



Using the Stake

This speaker can be used at the beach, picnics, BBQs, festivals, garden parties, camping and at home.

1. Pull the Stake (10) out of the Stake tube (9)
2. Turn the Stake (10) 180 degrees and push back into the Stake tube (9) – see figure 1
3. Push the assembled stake into the ground by hand force only – see figure 2
Do not use any object or the Diggit to hit it into the ground
4. Make sure the lower rubber ring is above the ground to allow easy removal from the ground.
Do not push the entire stake into the ground, it will make removal difficult
5. Carefully place the Diggit on to the Stake tube (9) – see figure 3
6. Once finished using the Diggit, remove the Diggit from the Stake tube (9)
7. Grab the lower end of the Stake tube (9) and exposed part of the Stake (10) and pull out of the ground.
Do not wriggle the stake in the ground as this may damage the product
8. If the Stake tube (9) or Stake (10) has dirt on it, clean them with a damp cloth before returning the Stake (10) into the Stake tube (9) for safe keeping

Note: Please only push the stake into soft ground.

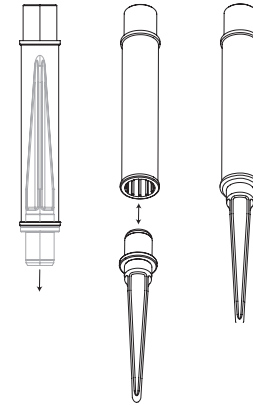


Figure 1

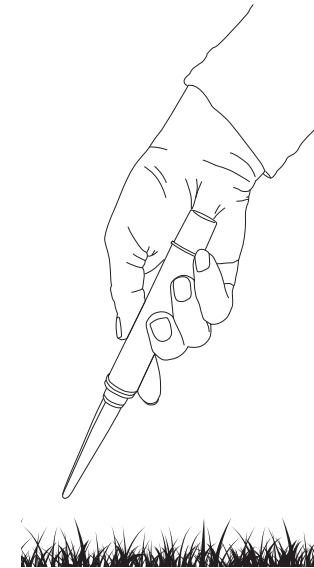


Figure 2

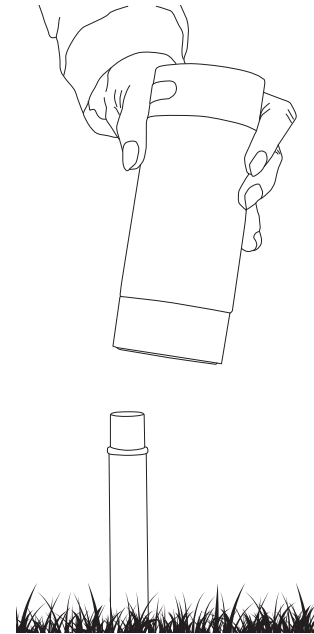


Figure 3





TWS (True Wireless Stereo) for stereo sound*

1. With both Diggit speakers turned on and in pairing mode (make sure your device isn't connected to either while trying to pair for TWS)
2. Double press Power button (3) on both speakers and the LED indicator (5) will slowly flash white on both speakers
3. The master speaker will automatically find the other speaker, the slave will become solid white and the master will then flash quickly
4. Once connected, the LED indicator (5) will become solid white on both speakers
5. Turn your iOS, Android, or Windows device's Bluetooth ON and search for new devices
6. Select 'KS Diggit'. If asked for a passcode, enter '0000', and the device will pair
7. Once connected, the LED indicator (5) will be a solid white if playing audio or slowly flashing white if not playing audio

Note: To cancel the TWS on both, double press Power button (3) on both speakers and they will disconnect. The second speaker will re-enter pairing mode while the master will continue to be paired to your device.

*Second Diggit sold separately or in pairs

Please note

Your device will have an internal amplifier and if it is playing digital files like MP3s it will also have an integrated DAC (Digital Audio Converter). If you turn the volume up to 100%, your device will be sending a distorted signal. To avoid this, and to get the best quality from the speaker, we recommend that you do not run your device any higher than 95% volume. Some devices output higher than others, so you may need to reduce the volume if you experience distortion.

Call handling

Answer call	when a call comes through, the Diggit will play a ringtone. Short press the MFB (4) to answer
End call	during a call, short press the MFB (4) to end the call
Reject call	when a call comes through, double press MFB (4) to reject
Redial	to redial the last dialed number, double press the MFB (4)

Note: This feature is only available in Bluetooth mode.

Note: When using the speaker for call handling, please ensure you are facing the microphone, no less than 1 metre away for best results.



Care for your DiggIt

Please DON'T:

- Submerge the DiggIt speaker in water or leave out overnight because of rain or condensation, the speaker is only water resistant from spray water for over 3 minutes
- Drop the DiggIt as this will invalidate your warranty
- Open up the DiggIt as this will invalidate your warranty. There are no user serviceable parts inside
- Expose the DiggIt to extreme temperatures or rapid changes of hot to cold or vice versa
- Take care when staking the tube and spike into the ground; do not use any third party object or the DiggIt to force it into the ground
- Place the DiggIt in a suitable location where it minimises the risk of trips to yourself and others
- The LED ring light on the DiggIt is bright, but do not use this as a torch

Please DO:

- Clean the DiggIt with a soft dry or slightly damp cloth and no detergents
- Clean the stake and tube with a damp soft sponge after use

Specifications

Works with Bluetooth® V4.2	
Bluetooth connectivity distance	up to 10 m
Bluetooth connectivity distance between two DiggIts in TWS mode	up to 5 m
S/N	81 dB +/- 2dB
Frequency band	2402 – 2480 MHz
Transmission power	4 dBm (conducted)
Frequency response	50 Hz – 20 kHz
Drivers	2 x 40 mm
Output RMS	2 x 5 W
Battery	rechargeable Li-ion, 1200 mAh, 5 V
Play time	up to 8 hours
Charging time	up to 3 hours
IP ratings	IP55
Working temperature	-10°C ~ +40°C
Dimensions (mm)	H160 x W62 / H240 – including tube and stake
Weight	0.35 kg



Troubleshooting

We hope you've now got all the information you need to get started, but if you're having problems with anything, please feel free to contact us at: support@kitsound.co.uk

Hereby, Kondor Ltd declares that the radio equipment type, KSDIGGIT Bluetooth Outdoor Speaker, is in compliance with Directive 2014/53/EU. The full text of the EU declaration of conformity is available at the following internet address: <http://kondor.co.uk/product-documents>.

FCC ID: 2ADFF-KSDIGGIT

This device complies with Part 15 of the FCC Rules. Operation is subject to the following two conditions: (1) this device may not cause harmful interference, and (2) this device must accept any interference received, including interference that may cause undesired operation.

Warning: Changes or modifications not expressly approved by the party responsible for compliance could void the user's authority to operate the equipment.

NOTE: This equipment has been tested and found to comply with the limits for a Class B digital device, pursuant to part 15 of the FCC Rules. These limits are designed to provide reasonable protection against harmful interference in a residential installation. This equipment generates, uses and can radiate radio frequency energy and, if not installed and used in accordance with the instructions, may cause harmful interference to radio communications. However, there is no guarantee that interference will not occur in a particular installation. If this equipment does cause harmful interference to radio or television reception, which can be determined by turning the equipment off and on, the user is encouraged to try to correct the interference by one or more of the following measures:

- Reorient or relocate the receiving antenna.
- Increase the separation between the equipment and receiver.
- Connect the equipment into an outlet on a circuit different from that to which the receiver is connected.
- Consult the dealer or an experienced radio/TV technician for help.



IC: 23562 – KSDIGGIT

This device complies with Industry Canada's licence-exempt RSSs. Operation is subject to the following two conditions: (1) This device may not cause interference; and (2) This device must accept any interference, including interference that may cause undesired operation of the device.

Le présent appareil est conforme aux CNR d'Industrie Canada applicables aux appareils radio exempts de licence. L'exploitation est autorisée aux deux conditions suivantes: 1) l'appareil ne doit pas produire de brouillage; 2) l'appareil doit accepter tout brouillage radioélectrique subi, même si le brouillage est susceptible d'en compromettre le fonctionnement.

Safety warnings

The following information should be read before product use:

- No naked flame sources, such as lighted candles, should be placed on the apparatus;
- Attention should be drawn to the environmental aspects of battery disposal;
- Batteries (battery pack or batteries installed) shall not be exposed to excessive heat such as fire or the like.



The use and operation of this speaker is beyond our control. Warranty of the KS Diggit is limited to defects caused by faulty manufacture or defects in materials only. No warranty whatsoever is given or implied for damage caused by the user under any circumstances.

This does not affect your statutory rights.

Please do not attempt to open this product. There are no user serviceable parts inside, in particular if your product has an embedded, non-replaceable battery, do not attempt to access or remove the battery as this may cause personal injury and will damage the product.

Making any attempt to open the product or carry out repair voids any and all warranties.

We are sorry for any inconvenience caused by minor inconsistencies in these instructions, which may occur as a result of product improvement and development.