



kitsound.co.uk

The Bluetooth® word mark and logos are registered trademarks owned by the Bluetooth SIG, Inc. and any use of such marks by Kondor Ltd. is under license. Other trademarks and trade names are those of their respective owners.

The 'Qi' symbol is a trademark of the Wireless Power Consortium.

All trademarks are acknowledged as the property of their respective owners. Unless otherwise stated their use does not imply that the trademark owner is affiliated with KitSound or endorses the products herein.

Products showing the 'Crossed Through' wheelee bin symbol must be recycled separately from household waste at the end of their useful life. Please DO NOT dispose of this appliance in normal household waste. Your local appliance retailer may operate a 'take-back' scheme when you are ready to purchase a replacement product, alternatively contact your local government authority for further help and advice on where to take your appliance for recycling.

Please recycle this packaging responsibly.



JB. 6212-a / REG02 / Made in China. © KitSound is a trademark of Kondor Limited, 2018. Christchurch, Dorset, BH23 4FL, UK



DISTRICT BLUETOOTH® HEADPHONES

USER MANUAL



Warning: To prevent possible hearing damage, do not listen at high volume levels for long periods.
For your own safety, please be aware of your surroundings when using these headphones.
Not Suitable for Children

Safety warnings

The following information should be read before product use:

- Do not place any naked flame sources, such as lighted candles, on the Wireless Qi Charging Pad
- Dispose of batteries responsibly and be aware of the environmental effects of battery disposal
- Do not expose the batteries (battery pack or batteries installed) to excessive heat, such as fire or the like
- Do not place foreign objects, such as metal products, magnets, and magnetic stripe cards, onto the Wireless Qi Charging Pad between the device and the wireless charger



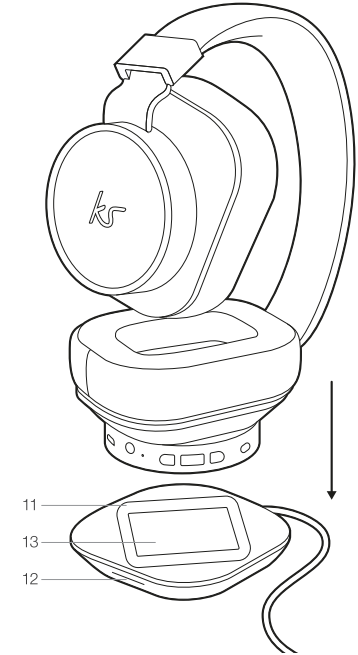
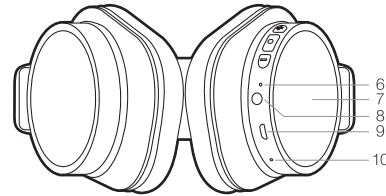
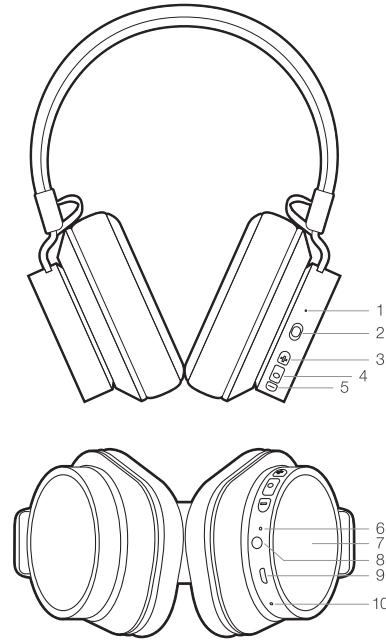
Please read this manual carefully before use.

Box contents

- KS District Bluetooth® Headphones
- Micro USB cable
- User manual
- Aux cable
- Wireless Qi Charging Pad

Functions

1. ANC LED indicator
2. On/Off ANC button
3. Volume+/Next track
4. Multi-function button (MFB)
5. Volume-/Previous track
6. Headphone LED indicator
7. Headphone Qi charging coil
8. Aux-in port
9. Micro USB charging port
10. Microphone
11. Charging Pad micro USB charging port
12. Charging Pad LED indicator
13. Charging Pad coil





Instructions for use

Charging the District Bluetooth Headphones using the Qi Wireless Charging Pad

1. Connect the micro USB end of the charging cable to the Charging Pad micro USB charging port (11) and the standard USB end to a PC, Mac, or laptop USB port or a USB mains charger
2. Once connected to power, the Charging Pad LED indicator (12) will appear red for 3 seconds
3. Place the Headphone Qi charging coil (7), side down, on the Charging Pad coil (13), and the Charging Pad LED indicator (12) will turn red, along with the Headphone LED indicator (6)
4. The Charging Pad LED indicator (12) will appear red whilst charging. The Headphone LED indicator (6) will be solid red whilst charging. It will turn off after around 2-3 hours. The battery is now fully charged

Charging the District Bluetooth Headphones using the Micro USB cable

1. Connect the micro USB end of the charging cable to the Micro USB charging port (9) and the standard USB end to a PC, Mac, or laptop USB port or USB mains charger
2. The Headphone LED indicator (6) will be red whilst charging. It will turn off after approximately 2-3 hours. The battery is now fully charged
3. If the Headphone LED indicator (6) flashes red once every 2 seconds whilst the District Bluetooth Headphones are in use, this means the battery is running low. When this happens, you have 5-10 minutes of use before the District Bluetooth Headphones power off automatically

Pairing a Bluetooth device

1. Start by holding the MFB (4) down for 2 seconds, and the Headphone LED indicator (6) will be white for 1 second and then flash white quickly upon entering pairing mode
2. Turn your iOS, Android, or Windows device's Bluetooth ON and search for new devices
3. Select 'KS District' from the list of the found devices. If asked for a pass code, enter '0000' and the headphones will then be connected to your device
4. Once paired, the Headphone LED indicator (6) will flash white every 2 seconds
5. The next time the headphones are switched on, they will automatically search for and attempt to connect to the last paired device. If no device is found, the headphones will automatically go into pairing mode



Functionality

Power on	Hold MFB (4) down for 2 seconds
Power off	Hold MFB (4) down for 2 seconds
To answer a call	Press MFB (4) and immediately release
To end call	Whilst in a call, press MFB (4) and immediately release
To reject a call	Press and hold MFB (4) for 2 seconds and then release
Voice control	When connected with no music playing, press and hold MFB (4) for approximately 1 second or until you hear a short beep tone, now you can use your voice assistant (not supported by all devices)
Redial	Press MFB (4) twice quickly to redial your most recent call
Volume+	Short press Volume+/Next track (3) to increase volume
Volume-	Short press Volume-/Previous track (5) to decrease volume
Previous track	Press and hold Volume-/Previous track (5) to change the track
Next track	Press and hold Volume+/Next track (3) to change the track
Play/Pause	Press MFB (4) and immediately release

LED indicator status

Headphone LED indicator (6)	The District Headphones are . . .
Solid white light for 1 second	Turning on
Solid red light for 1 second	Turning off
Quick flashing white light	Pairing mode
Flashing white light every 2 seconds	Connected standby mode
Red flashing light every 2 seconds	Low battery warning
Solid red light	Charging
Red LED turns out whilst charging	Fully charged



Care for your District

Please DON'T:

- Get the District Bluetooth Headphones wet
- Drop the District Bluetooth Headphones as this will invalidate your warranty
- Open up the District Bluetooth Headphones as there are no user serviceable parts inside
- Expose the District Bluetooth Headphones to extreme temperatures or rapid changes of hot to cold or vice versa

Please DO:

- Clean the District Bluetooth Headphones with a soft dry cloth and no detergents

Battery information

- Your device is powered by a rechargeable battery. Unplug the charger from the electrical plug and the device when not in use
- If left unused, a fully charged battery will lose its charge over time. We recommend a full charge once every 3 months, even if not used
- Please do not leave the device in hot or cold places, such as in a closed car in summer or winter conditions as it will reduce the capacity and lifetime of the battery
- Do not dispose of batteries in a fire as they may explode. Batteries may also explode if damaged

Specifications

Bluetooth technology v4.2	
Bluetooth connectivity distance	up to 10 m
Frequency response	20 Hz – 20 kHz
Play time (Bluetooth)	up to 25 hours
Play time (wired connection + ANC)	up to 40 hours
Play time (ANC + Bluetooth)	up to 15 hours
Battery type	LiPo, rechargeable
Charge time	1.5 hours
Transmission power	5.7 mW
Frequency band	2400 MHz





Troubleshooting

If you cannot connect the headphones to your device, please try the following:

- Ensure that the headphones are charged, switched on, paired with, and connected to your device
- Check the headphones are within 10 metres (30 feet) of your device and that there are no obstructions (such as walls or other electronic devices) between the headphones and the device
- Only one device may be paired to these headphones at a time, so please ensure there are no conflicting Bluetooth devices trying to connect to the headphones
- If the headphones will not switch off, they can be reset by putting them on charge
- If you receive an intermittent signal, please ensure the headphones are fully charged before continuing use
- If you do not use the headphones for longer than 10 minutes whilst not connected to a device, they will automatically power off to conserve power

We hope you've now got all the information you need to get started, but if you're having problems with anything, please feel free to contact us at: support@kitsound.co.uk

Hereby, Kondor Ltd declares that the radio equipment type, KSDISBK District Bluetooth Headphones, is in compliance with Directive 2014/53/EU. The full text of the EU declaration of conformity is available at the following internet address: <http://kondor.co.uk/product-documents>.



FCC ID: 2ADFF-KSDISBK

This device complies with Part 15 of the FCC rules. Operation is subject to the following two conditions:

- (1) this device may not cause harmful interference, and
- (2) this device must accept any interference received, including interference that may cause undesired operation.

Warning: Changes or modifications not expressly approved by the party responsible for compliance could void the user's authority to operate the equipment.

NOTE: This equipment has been tested and found to comply with the limits for a Class B digital device and ISM equipment, pursuant to part 15 and part 18 of the FCC Rules respectively. These limits are designed to provide reasonable protection against harmful interference in a residential installation. This equipment generates, uses and can radiate radio frequency energy and, if not installed and used in accordance with the instructions, may cause harmful interference to radio communications. However, there is no guarantee that interference will not occur in a particular installation. If this equipment does cause harmful interference to radio or television reception, which can be determined by turning the equipment off and on, the user is encouraged to try to correct the interference by one or more of the following measures:

- Reorient or relocate the receiving antenna.
- Increase the separation between the equipment and receiver.
- Connect the equipment into an outlet on a circuit different from that to which the receiver is connected.
- Consult the dealer or an experienced radio/TV technician for help.

This device complies with Part 18 of the FCC Rules.

US Responsible Party Information:

Name: Mobileistic, LLC

Address: 205 Marcus Boulevard, Hauppauge, New York 11788

Telephone: 631-531-9500

Email: support@mobileistic.com

IC: 23562 – KSDISBK

This device complies with Industry Canada's licence-exempt RSSs. Operation is subject to the following two conditions: (1) This device may not cause interference; and (2) This device must accept any interference, including interference that may cause undesired operation of the device.

Le présent appareil est conforme aux CNR d'Industrie Canada applicables aux appareils radio exempts de licence. L'exploitation est autorisée aux deux conditions suivantes : 1) l'appareil ne doit pas produire de brouillage; 2) l'appareil doit accepter tout brouillage radioélectrique subi, même si le brouillage est susceptible d'en compromettre le fonctionnement.

Please do not attempt to open this product. There are no user serviceable parts inside, in particular if your product has an embedded, non-replaceable battery, do not attempt to access or remove the battery as this may cause personal injury and will damage the product.

Making any attempt to open the product or carry out repair voids any and all warranties.

We are sorry for any inconvenience caused by minor inconsistencies in these instructions, which may occur as a result of product improvement and development.

