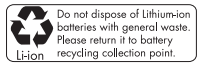




kitsound.co.uk

The Bluetooth® word mark and logos are registered trademarks owned by the Bluetooth SIG, Inc. and any use of such marks by Kondor Ltd. is under license. Other trademarks and trade names are those of their respective owners. All trademarks are acknowledged as the property of their respective owners. Unless otherwise stated their use does not imply that the trademark owner is affiliated with KitSound or endorses the products herein.

Please recycle this packaging responsibly.



JB. 5910-a / Made in China. © KitSound is a trademark of Kondor Limited, 2017. Christchurch, Dorset, BH23 4FL, UK



HIVE X BLUETOOTH® SPEAKER

USER MANUAL

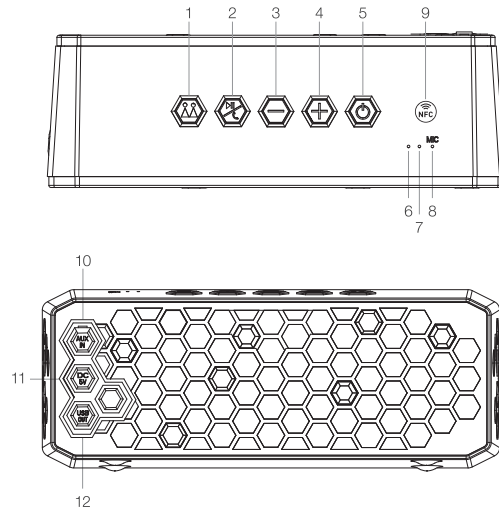
Please read this manual carefully before use.

Box contents

- KS Hive X Bluetooth Speaker
- 3.5mm Aux cable
- Micro USB charge cable
- User manual

Functions

1. TWS button
2. MFB (Multi-function button)
3. Volume-/Previous track
4. Volume+/Next track
5. Power button
6. LED indicator
7. Battery LED
8. Microphone
9. NFC
10. Aux-in port
11. Micro USB charging port
12. USB output



KS Hive X is IPX6 waterproof

The speaker is rated IPX6. This means it protects from water jets at any direction, but is not impervious to large amounts of water. Please do not directly immerse in water.

- To ensure that the KS Hive X speaker is waterproof, please remove all cable connections and tightly close the cap; exposing the KS Hive X speaker to liquids without doing so may result in permanent damage to the speaker
- **Do not** expose the KS Hive X speaker to water while charging; this is very dangerous as doing so may result in personal injury and permanent damage to the speaker or power source
- IPX6 waterproof is defined as the protected against high-pressure jet spray from all directions and temporary flooding

Instructions for use

Charging the battery

Give the speaker a full charge before its first use.

1. Connect the USB charging cable to the Micro USB charging port (11) and plug into power
2. The Battery LED (7) will be solid red whilst charging which will take up to 6 hours
3. Once fully charged the Battery LED (7) will turn off

Note: Allow up to 8 hours for the first charge. You can charge and play your speaker at the same time, but it needs extra charging time.

Battery protection mode

If you haven't used the speaker for 90 days, the speaker will switch to battery protection mode automatically.

To keep the rechargeable battery in good condition, please discharge and recharge speaker every 3 months, even if you use it or not.

Note: For best sound quality when the battery is below 30%, it is best to charge the Hive X.

LED lights indication

| | |
|--|--|
| Pairing mode | Flash blue quickly for new device pairing Flash blue slowly for auto reconnection to last paired device |
| Paired in Bluetooth® mode | Solid blue |
| Paired but not playing audio | Flash blue every 2 seconds |
| Aux-in mode | Solid red |
| TWS pairing | Flash blue and red quickly |
| Enter TWS mode | Flash blue and red every 2 seconds |
| TWS paired with device | Slow flashing purple |
| TWS paired with device and playing audio | Solid purple |

| | |
|------------------------------|---------------------------|
| Battery below 30% | Flash red every 3 seconds |
| Charging battery | Red LED on |
| Charging finish (around 95%) | Red LED off |

Pairing the Hive X to your device

1. Long press Power button (5) to turn the speaker on and it will automatically enter pairing mode
2. Turn your iOS, Android, or Windows device's Bluetooth ON and search for new devices
3. Select 'KS Hive X'. If asked for a passcode, enter '0000', and the device will pair
4. Once connected the LED indicator (6) will be a solid blue if playing audio or slowly flashing blue if not playing audio

Re-pairing or pairing new devices

1. Turn Bluetooth connectivity off on any previously paired devices

OR

2. Long press the MFB (2) to re-enter pairing mode
3. Follow the 'Pairing the Hive X to your device' instructions

Note: If a previously paired device is not present within the Bluetooth connectivity range then the speaker will re-enter pairing mode.

Pair with NFC

1. On your device make sure both the NFC and Bluetooth functions are switched on
2. With the Hive X powered on and not connected to another device, place your device over the NFC (9) icon and your device will automatically pair to the speaker
3. A prompt might appear saying 'Pair to KS Hive X'
4. Select 'Pair' and the Hive X will then be paired to your device
5. A double beep will sound to confirm pairing and the LED indicator (6) will flash every 2 seconds

Playing music on your speaker

Bluetooth

When connected via Bluetooth, play music on your device and the sound will play through the speaker. Some devices may require you to select the audio output.

Auxiliary

1. Plug the Aux cable into the speaker's Aux-in port (10) and your device
2. The LED indicator (6) will become a solid red colour

Once connected to the Hive X either wired or by Bluetooth, please follow the below instructions:

| Function | Bluetooth mode | Auxiliary mode |
|------------------|--|--|
| Volume+ | Short press Volume+ (4) on Hive X or use your device | Short press or hold Volume+(4) on Hive X or use your device |
| Volume- | Short press Volume- (3) on Hive X or use your device | Short press or hold Volume- (3) on Hive X or use your device |
| Next Track | Hold Volume+ (4) button for 2 seconds | N/A |
| Previous Track | Hold Volume- (3) button for 2 seconds | N/A |
| Play/Pause Track | Short press MFB (2) | Short press MFB (2) |
| Answer Call | Short press MFB (2) | N/A |
| End Call | Short press MFB (2) | N/A |
| Reject Call | Double press MFB (2) | N/A |
| Redial | Double press MFB (2) | N/A |

TWS for stereo sound

1. With both speakers turned on and in pairing mode, short press TWS button (1) on one speaker (Master) and the LED indicator (6) will quickly flash red and blue
2. The Master speaker will automatically find the other speaker
3. Once connected the LED indicator (6) will slowly flash purple on both speakers
4. Turn your iOS, Android, or Windows device's Bluetooth ON and search for new devices
5. Select 'KS Hive X'. If asked for a passcode, enter '0000', and the device will pair
6. Once connected, the LED indicator (6) will be a solid purple if playing audio or slowly flashing purple if not playing audio

Note: To cancel the TWS on both, long press TWS button (1) and they will disconnect and re-enter pairing mode.

USB output

You can charge your device via the USB output (12), the output voltage and current is 5 V / 1 A.

- Please do not use the USB output (12) when the battery of KS Hive X is below 30% (when the Battery LED (7) is flashing red every 3 seconds)
- It's not available to use when powered off

Please note: Your device will have an internal amplifier and if it is playing digital files like MP3s it will also have an integrated DAC (Digital Audio Converter). If you turn the volume up to 100%, your device will be sending a distorted signal. To avoid this, and to get the best quality from the speaker, we recommend that you do not run your device any higher than 95% volume. Some devices output higher than others, so you may need to reduce the volume if you experience distortion.

Care for your Hive X

Please DON'T:

- Submerge the Hive X speaker in water or spray water for over 3 minutes
- Drop the Hive X as this will invalidate your warranty.
- Open up the Hive X. There are no user serviceable parts inside
- Expose the Hive X to extreme temperatures or rapid changes of hot to cold or vice versa

Please DO:

- Clean the Hive X with a soft dry cloth and no detergents

Specifications

| | |
|---------------------------------|------------------------------------|
| Works with Bluetooth® V4.2 | |
| Bluetooth connectivity distance | up to 15 m |
| S/N | 80 dB |
| Frequency response | 60 Hz – 20 kHz |
| Drivers | 2 x 57 mm |
| Output RMS | 2 x 10 W |
| Battery | rechargeable Li-ion, 3300 mAh, 5 V |
| Play time | up to 20 hours |
| USB charge output | 5 V @ 1 A |
| Charging time | up to 6 hours |
| IP ratings | IPX6 |
| Dimensions (mm) | H83 x W210 x D70 |
| Weight | 0.85 kg |

Troubleshooting

We hope you've now got all the information you need to get started, but if you're having problems with anything, please feel free to contact us at: support@kitsound.co.uk

Hereby, Kondor Ltd declares that the radio equipment type, KSHIVEXBK Hive X Wireless Speaker, is in compliance with Directive 2014/53/EU. The full text of the EU declaration of conformity is available at the following internet address: <http://kondor.co.uk/product-documents>.'

The use and operation of this speaker is beyond our control. Warranty of the KS Hive X is limited to defects caused by faulty manufacture or defects in materials only. No warranty whatsoever is given or implied for damage caused by the user under any circumstances.

This does not affect your statutory rights.

Please do not attempt to open this product. There are no user serviceable parts inside, in particular if your product has an embedded, non-replaceable battery, do not attempt to access or remove the battery as this may cause personal injury and will damage the product. Making any attempt to open the product or carry out repair voids any and all warranties.

We apologise for any inconvenience caused by minor inconsistencies in these instructions, which may occur as a result of product improvement and development.

FCC Caution.

This device complies with part 15 of the FCC Rules. Operation is subject to the following two conditions: (1) This device may not cause harmful interference, and (2) this device must accept any interference received, including interference that may cause undesired operation.

Any Changes or modifications not expressly approved by the party responsible for compliance could void the user's authority to operate the equipment.

Note: This equipment has been tested and found to comply with the limits for a Class B digital device, pursuant to part 15 of the FCC Rules. These limits are designed to provide reasonable protection against harmful interference in a residential installation. This equipment generates uses and can radiate radio frequency energy and, if not installed and used in accordance with the instructions, may cause harmful interference to radio communications. However, there is no guarantee that interference will not occur in a particular installation. If this equipment does cause harmful interference to radio or television reception, which can be determined by turning the equipment off and on, the

user is encouraged to try to correct the interference by one or more of the following measures:

- Reorient or relocate the receiving antenna.
- Increase the separation between the equipment and receiver.
- Connect the equipment into an outlet on a circuit different from that to which the receiver is connected.
- Consult the dealer or an experienced radio/TV technician for help.

RF warning for Mobile device:

This equipment complies with FCC radiation exposure limits set forth for an uncontrolled environment.