



kitsound.co.uk

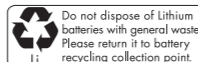
Your product and batteries must be recycled or disposed of properly.
Please contact your local recycling centre for more information on proper disposal.

Products showing the 'Crossed Through' wheelee bin symbol must be recycled separately from household waste at the end of their useful life. Please DO NOT dispose of this appliance in normal household waste. Your local appliance retailer may operate a 'take-back' scheme when you are ready to purchase a replacement product, alternatively contact your local government authority for further help and advice on where to take your appliance for recycling.

Please recycle this packaging responsibly.

The Bluetooth® word mark and logos are registered trademarks owned by the Bluetooth SIG, Inc. and any use of such marks by Kondor Ltd is under license. Other trademarks and trade names are those of their respective owners.

All trademarks are acknowledged as the property of their respective owners. Unless otherwise stated their use does not imply that the trademark owner is affiliated with KitSound or endorses the products herein.



JB. 5203-e / REG01 / Made in China. © KitSound is a trademark of Kondor Limited, 2018. Christchurch, Dorset, BH23 4FL, UK



REUNION POWERED HI-FI SPEAKERS

USER MANUAL



- **WARNING:** To reduce the risk of fire or electric shock, do not expose this speaker to rain or moisture.
Avertissement : pour réduire le risque d'incendie ou de choc électrique, ne pas exposer cet appareil sous la pluie et l'humidité.
- The speaker shall not be exposed to dripping or splashing and no objects filled with liquids, such as drinks or vases, should be placed on the speaker.
L'appareil ne doit pas être exposé aux écoulements ou aux éclaboussures et aucun objet ne contenant de liquide, tel qu'un vase, ne doit être placé sur l'objet.
- The mains plug is used to turn off the speaker. Do not obstruct the mains plug, it should be easily accessed during intended use.
- To be completely disconnected from the power supply, the plug must be disconnected from the mains.
La prise du secteur est utilisé pour déconnecter le système.
La prise du secteur ne doit pas être obstruée ou doit être facilement accessible pendant son utilisation.
Pour être complètement déconnecté de l'alimentation d'entrée, la prise doit être débranchée du secteur.
- The speaker's battery should not be exposed to excessive heat such as direct sunlight, fire and extreme heat sources such as radiators.
Les piles ne doivent pas être exposées à de forte chaleur, tel qu'à la lumière du soleil, au feu ou autres choses de semblable.

- **CAUTION:** Danger of explosion if the battery is replaced incorrectly. Replace only with the same or equivalent type.
Précaution : Danger d'explosion si les piles sont remplacées de façon incorrect. Remplacer les piles seulement par le même type de pile ou l'équivalent.
- Leave a minimum distance of 20-30 cm around the speaker for sufficient ventilation.
20-30 cm de distance minimale autour de l'appareil pour une ventilation suffisante.
- The ventilation of the speaker should not be obstructed by covering the openings with items such as newspaper, tablecloths, curtains etc.
Ne pas recouvrir les entrées d'aérations avec des objets tel qu'un journal, une nappe, un rideau, etc...
- No naked flames, such as lit candles should be placed on the speaker.
Aucune source de flamme nue, tel qu'une bougie, ne doit être placée sur l'appareil.
- The used batteries must be disposed of in an environmentally friendly manner.
Les piles usages doivent être jetées en respectant l'environnement.
- Use the speaker moderately in tropical climates.
L'utilisation de l'appareil dans un climat tropical et/ou modéré



IMPORTANT SAFETY INSTRUCTIONS

1. Read these instructions.
2. Keep these instructions.
3. Heed all warnings.
4. Follow all instructions.
5. Do not use this apparatus near water.
6. Clean only with dry cloth.
7. Do not block any ventilation openings. Install in accordance with the manufacturer's instructions.
8. Do not install near any heat sources such as radiators, heat registers, stoves, or other apparatus (including amplifiers) that produce heat.
9. Do not defeat the safety purpose of the polarized or grounding – type plug. A polarized plug has two blades with one wider than the other. A grounding type plug has two blades and a third grounding prong. The wide blade or the third prong are provided for your safety. When the provided plug does not fit into your outlet, consult an electrician for replacement of the obsolete outlet.
10. Protect the power cord from being walked on or pinched particularly at plugs, convenience receptacles, and the point where they exit from the apparatus.
11. Only use attachments/accessories specified by the manufacturer.
12. Unplug this apparatus during lightning storms or when unused for long periods of time.
13. Refer all servicing to qualified service personnel. Servicing is required when the apparatus has been damaged in any way, such as power-supply cord or plug is damaged, liquid has been spilled or objects have fallen into the apparatus, the apparatus has been exposed to rain or moisture, does not operate normally, or has been dropped.



CAUTION – TO REDUCE THE RISK OF ELECTRIC SHOCK,
DO NOT REMOVE COVER (OR BACK).
NO USER-SERVICEABLE PARTS INSIDE.
REFER TO QUALIFIED SERVICE PERSONNEL.

Box contents

- KS Reunion Powered Hi-Fi Speakers
- Speaker cable
- RCA to 3.5 mm cable
- Remote control

- EU power lead
- UK power lead
- US power lead
- User manual

Functions

Master speaker

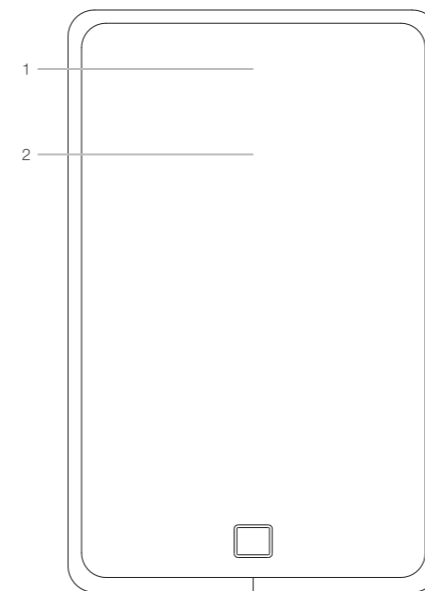
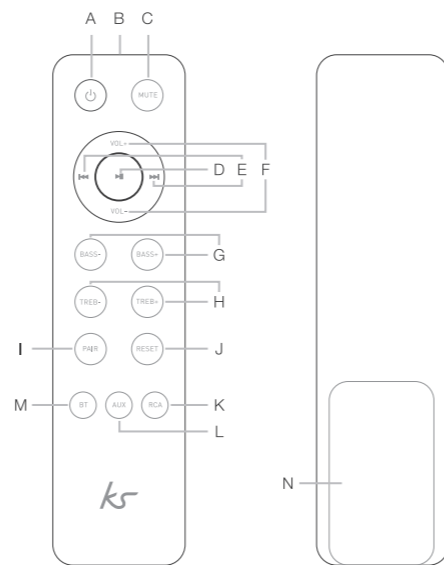
1. LED indicator
2. Remote sensor
3. Mode/Volume dial
4. Bass dial
5. Treble dial
6. Aux-in port
7. Red RCA port
8. White RCA port
9. Power switch
10. Black binding post terminal
11. Red binding post terminal
12. Mains power port

Slave speaker

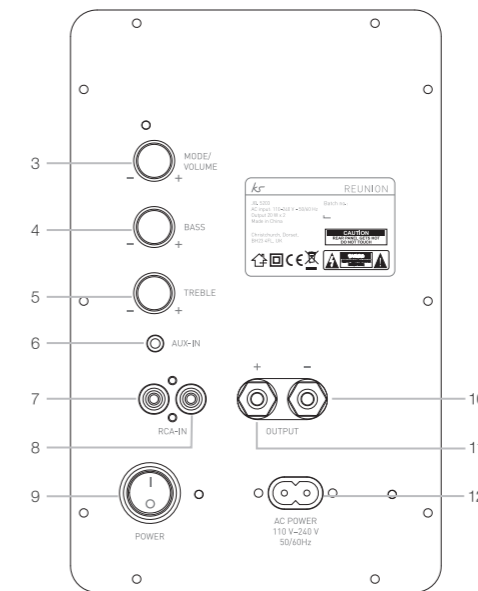
13. Black binding post terminal
14. Red binding post terminal

Remote

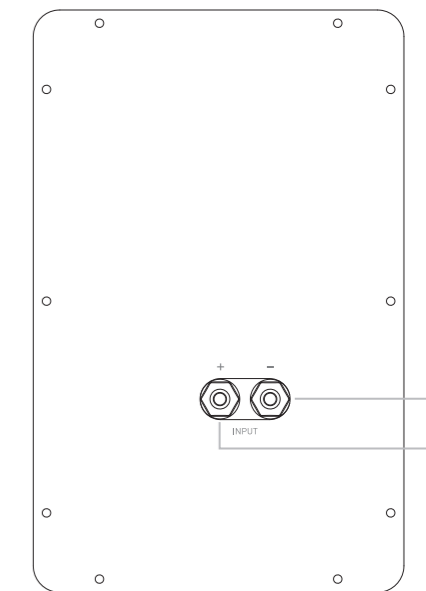
- A. On/Off
- B. Remote transmitter
- C. Mute
- D. Play/Pause
- E. Next/Previous track
- F. Volume+/-
- G. Bass+/-
- H. Treble+/-
- I. Pair
- J. Reset
- K. RCA mode
- L. AUX mode
- M. BT mode
- N. Battery cover



Master speaker – front



Master speaker – back



Slave speaker – back

Instructions for use

Getting started

To connect the two speakers together

1. Loosen the Binding post terminals (10/11/13/14) on both speakers, as shown in Figure 1
2. Insert the silver half of the speaker cable into the black binding post on the master speaker
3. Insert the copper half of the cable into the red binding post on the master speaker. Tighten both binding posts, as shown in Figures 2 and 3
4. Insert the other ends of the cable into the matching coloured binding post on the slave speaker, and tighten

Note: When inserting the cable into the binding posts, ensure the bare wire is in direct contact with the metal part of the binding post.

To connect the speaker to power

1. Insert the relevant power lead into the Mains power port (12)
2. Insert the plug into an outlet/plug socket
3. To turn the speakers on, move the Power switch (9) to the on 'I' position on the back panel and the Reunion will enter standby mode, and the LED (1) will be solid red
4. To turn the speakers off, press the Power switch (9) to the off 'O' position

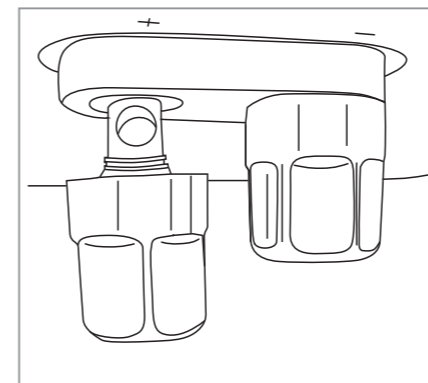


Figure 1

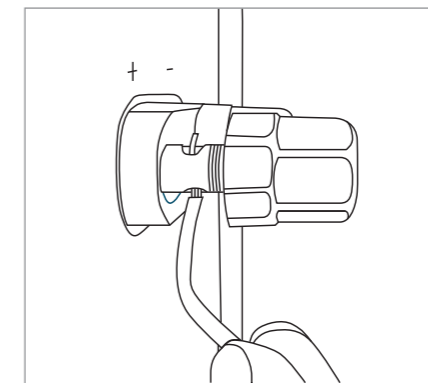


Figure 2

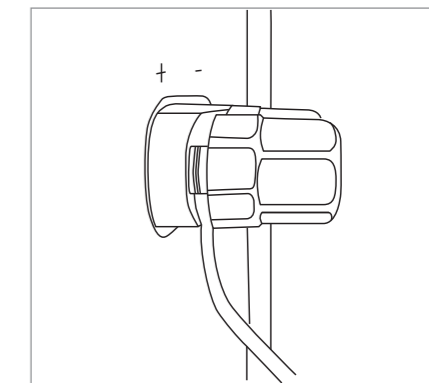


Figure 3

Replacing battery in remote

1. Remove Battery cover (N) and coin cell battery
2. Place new battery coin cell (CR2025) into battery compartment so that the text on the battery remains visible
3. Replace Battery cover (N)

WARNING: DO NOT INGEST BATTERY, CHEMICAL BURN HAZARD

The remote control supplied with contains a coin/button battery. If the coin/button cell battery is swallowed, it can cause severe internal burns in just 2 hours and can lead to death.

Keep new and used batteries away from children. If the battery compartment does not close securely, stop using the product and keep it away from children.

If you think batteries might have been swallowed or placed inside any part of the body, seek immediately medical attention.

AVERTISSEMENT

NE PAS INGÉRER LA PILE, DANGER DE BRÛLURE CHIMIQUE

(La télécommande fournie avec) Ce produit contient une pile bouton. Si la pile bouton est avalée, elle peut provoquer de graves brûlures internes en 2 heures seulement et peut entraîner la mort.

Conserver les piles neuves et usées hors de portée des enfants.

Si le compartiment pile ne se ferme pas correctement, cesser d'utiliser le produit et tenir hors de portée des enfants.

En cas de doute concernant le fait que les piles pourraient avoir été avalées ou introduites dans une partie quelconque du corps, consulter immédiatement un médecin.

Using the remote

1. During initial setup of the Reunion, please remove plastic tab from battery compartment before using the remote
2. Ensure the Remote transmitter (B) is pointing directly to the Remote sensor (2) and nothing is blocking its path

Remote controls

Power on	Hold On/Off (A) down for 2 seconds
Power off	Hold On/Off (A) down for 4 seconds
Pair	Press Pair (I) and immediately release
Mute	Press Mute (C) and immediately release
Reset	Press Reset (J) and immediately release
Play/Pause	Press Play/Pause (D) and immediately release
Change Volume	Press Volume+/Volume- (F) and immediately release
Change Bass	Press Bass+/Bass- (G) and immediately release
Change Treble	Press Treble+/Treble- (H) and immediately release
Bluetooth mode	Press BT mode (M) and immediately release
AUX mode	Press AUX mode (L) and immediately release
RCA mode	Press RCA mode (K) and immediately release

LED indicator

Function	LED
Power off/Standby	Solid red
Reset	Flashing blue and purple
Bluetooth® pairing mode	Flashing blue
Bluetooth® paired	Solid blue
Aux mode	Flash purple twice
RCA mode	Flash purple once
Button press registered	Flash purple twice, and then indicate mode

Standby mode

To turn on from standby mode, short press Power (A) on the remote and the LED indicator (1) will flash purple on the master speaker and then enter its most recent mode. To return to standby mode, short press power (A) on the remote and the LED indicator (1) will be solid red.

Note: The Reunion will return to the last known input setting when powered on unless a 3.5 mm aux is connected. If so, the speaker will default to the AUX input.

Playing music

Pairing a Bluetooth device

1. When first powering on your Reunion they will automatically enter pairing mode
2. Turn on your iOS, Android, or Windows device's Bluetooth® ON and search for new device
3. Select 'KS Reunion'. If asked for a passcode, enter '0000', and they will be paired
4. Once paired the LED indicator (1) will be solid blue

Note: The Reunion will automatically connect to the last paired device.

Re-pairing or pairing new devices

1. Turn off Bluetooth connectivity on any previously paired devices
2. Follow the 'Pairing a Bluetooth device' instructions from step 1

OR

1. Short press Pair (I) on the remote to break any existing pairing
2. Follow the 'Pairing a Bluetooth device' instructions from step 1

Playing music via Bluetooth

When connected via Bluetooth, play the music on your device and the sound will play through the speakers. Some devices may require you to select the audio output.

If your device is A2DP Bluetooth-enabled, you can use the following functions:

Play/Pause	Short press (D)
Next/Previous track	Short press (E)



Connecting through auxiliary

1. Connect the music source by inserting either end of a 3.5 mm aux cable into the music source and the other into the Aux-in port (6)
2. Either short press Aux mode (L) on the remote or cycle through the modes on the back panel by pressing the Mode/Volume dial (3)
3. Refer to the LED indicator section (page 11) to know which mode you're in

Note: In this mode, Play/Pause and Previous/Next track will not work.

Connecting through RCA

1. Connect the music source by inserting the RCA cable ends into the corresponding white and red RCA ports (7/8)
2. Either short press RCA mode (K) on the remote or cycle through the modes on the back panel by pressing the Mode/Volume dial (3)
3. Refer to the LED indicator section (page 7) to know which mode you're in

Note: In this mode, Play/Pause and Previous/Next track will not work.

Please note: Your device will have an internal amplifier and if it is playing digital files like MP3s it will also have an integrated DAC (Digital Audio Converter). If you turn the volume up to 100%, your device will be sending a distorted signal. To avoid this, and to get the best quality from the speaker, we recommend that you do not run your device any higher than 95% volume. Some devices output higher than others, so you may need to reduce the volume if you experience distortion.

Adjusting controls

Volume	Turn the Mode/Volume dial (3) clockwise to increase, or counter clockwise to decrease volume. The LED indicator (1) will flash purple twice to indicate each adjustment. When you reach maximum volume, a 'beep' tone will sound.
Bass	Turn the Bass dial (4) clockwise to increase, or counter clockwise to decrease bass. The LED indicator (1) will flash purple twice to indicate each adjustment.
Treble	Turn the Treble dial (5) clockwise to increase or counter clockwise to decrease treble. The LED indicator (1) will flash purple twice to indicate each adjustment.
Mode	Short press Mode/Volume dial (3) to cycle through BT, AUX, and RCA mode.

Care for your Reunion

Please DON'T:

- Get the Reunion wet
- Drop the Reunion as this will invalidate your warranty
- Open up the Reunion. There are no user serviceable parts inside
- Expose the Reunion to extreme temperatures or rapid changes of hot to cold or vice versa

Please DO:

- Clean the Reunion with a soft dry cloth and no detergents

Specifications

Works with Bluetooth® V4.2	
Bluetooth connectivity range	up to 10 m
S/N	85 dB
Frequency response	20 Hz – 20 kHz
Drivers	2 x 4 inches + 2 x 1 inches
Output RMS	40 Watts
AC input voltage	110 – 240 V, 50/60 Hz
Remote battery	Lithium

'Hereby, Kondor Ltd declares that the radio equipment type, KSREUN Reunion Powered Hi-Fi Speakers, is in compliance with Directive 2014/53/EU. The full text of the EU declaration of conformity is available at the following internet address: <http://kondor.co.uk/product-documents.>'

CAUTION: Change or modification not expressly approved by the party responsible for compliance could void the user's authority to operate the equipment.

NOTE: This equipment has been tested and found to comply with the limits for a Class B digital device, pursuant to part 15 of the FCC Rules. These limits are designed to provide reasonable protection against harmful interference in a residential installation. This equipment generates, uses and can radiate radio frequency energy and, if not installed and used in accordance with the instructions, may cause harmful interference to radio communications. However, there is no guarantee that interference will not occur in a particular installation. If this equipment does cause harmful interference to radio or television reception, which can be determined by turning the equipment off and on, the user is encouraged to try to correct the interference by one or more of the following measures:

- Reorient or relocate the receiving antenna.
- Increase the separation between the equipment and receiver.
- Connect the equipment into an outlet on a circuit different from that to which the receiver is connected.
- Consult the dealer or an experienced radio/TV technician for help.

This device complies with Industry Canada's licence-exempt RSSs. Operation is subject to the following two conditions:

- (1) This device may not cause interference; and
- (2) This device must accept any interference, including interference that may cause undesired operation of the device.

Le présent appareil est conforme aux CNR d'Industrie Canada applicables aux appareils radio exempts de licence. L'exploitation est autorisée aux deux conditions suivantes:

- 1) l'appareil ne doit pas produire de brouillage;*
- 2) l'appareil doit accepter tout brouillage radioélectrique subi, même si le brouillage est susceptible d'en compromettre le fonctionnement.*



Troubleshooting

We hope you've now got all the information you need to get started, but if you're having problems with anything, please feel free to contact us at: support@kitsound.co.uk

The use and operation of this speaker is beyond our control. Warranty of the Reunion is limited to defects caused by faulty manufacture or defects in materials only. No warranty whatsoever is given or implied for damage caused by the user under any circumstances.

This does not affect your statutory rights.

Please do not attempt to open this product. There are no user serviceable parts inside, in particular if your product has an embedded, non-replaceable battery, do not attempt to access or remove the battery as this may cause personal injury and will damage the product.

Making any attempt to open the product or carry out repair voids any and all warranties.

We apologise for any inconvenience caused by minor inconsistencies in these instructions, which may occur as a result of product improvement and development.

