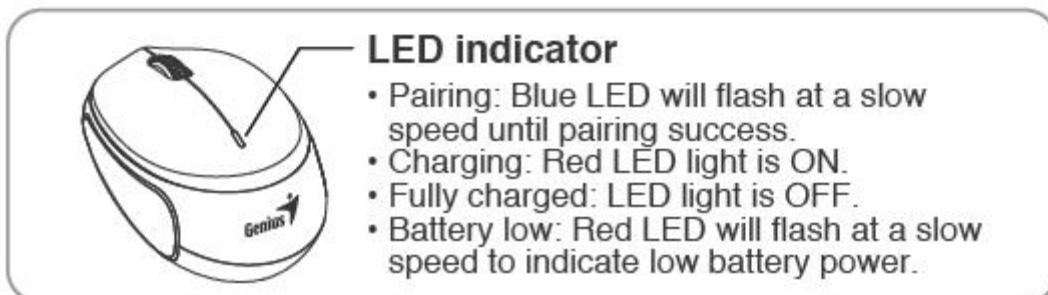
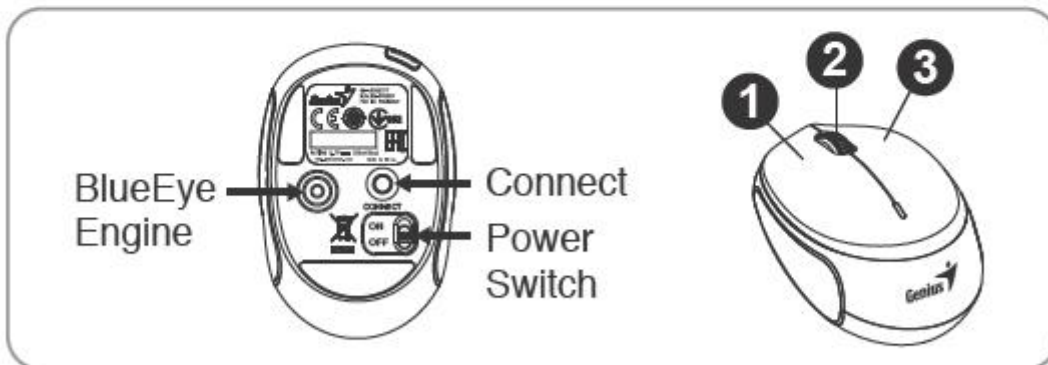
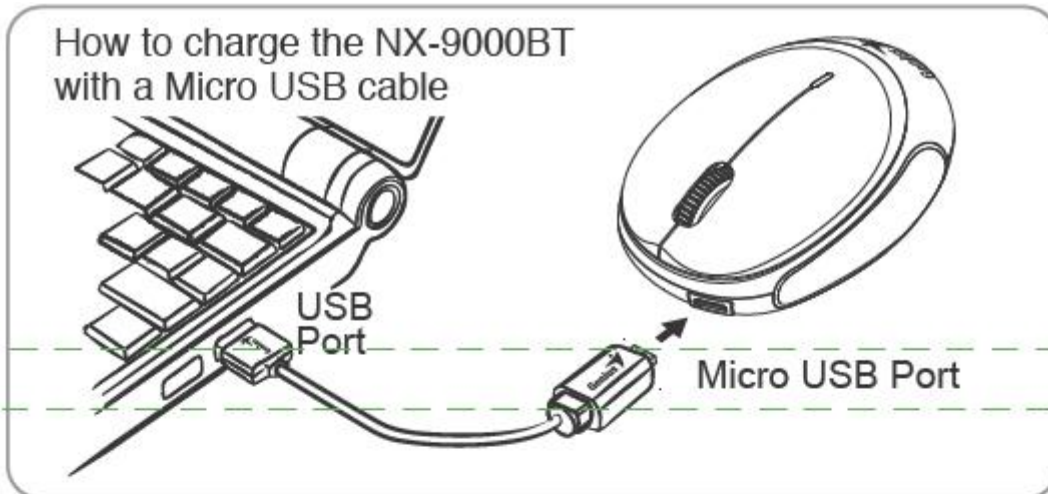


Overview



The device has been evaluated to meet general RF exposure requirement. The device can be used in portable exposure condition without restriction.

Factory Settings

1. Left Button: Provides traditional mouse functions like click, double click and drag.
2. Magic-Roller: Press the “Magic-Roller” to surf the Internet and Windows documents.
3. Right Button: Provides traditional mouse click functions.

Federal Communication Commission interference statement:

This equipment has been tested and found to comply with the limits of a Class B digital device,

pursuant to Part 15 of the FCC Rules. These limits are designed to provide reasonable protection

against harmful interference in a residential installation.

This equipment generates uses, and can radiate radio frequency energy and, if not installed and used

in accordance with the instructions, may cause harmful interference to radio communications.

However, there is no guarantee that interference will not occur in particular installations. If this

equipment does cause harmful interference to radio or television reception, which can be determined

by turning the equipment off and on, the user is encouraged to try to correct the interference by one or

more of the following measures:

Reorient / Relocate the receiving antenna.

Increase the separation between the equipment and receiver.

Connect the equipment into an outlet on a circuit different from that to which the receiver is connected.

Consult the dealer or an experienced radio / TV technician for help.

FCC CAUTION: Changes or modifications not expressly approved by the manufacturer responsible

for compliance could void the user’s authority to operate the equipment.

This device complies with Part 15 of the FCC Rules. Operation is subject to the following two

conditions:

- (1) this device may not cause harmful interference, and
- (2) this device must accept any interference received, including interference that may cause undesired operation.

RF exposure warning: The equipment complies with RF exposure limits set forth for an uncontrolled environment. The antenna(s) used for this transmitter must not be co-located or operating in conjunction with any other antenna or transmitter. You are cautioned that changes or modifications not expressly approved by the party responsible for compliance could void your authority to operate the equipment.

Disclaimer

The following does not apply to any country where such provisions are inconsistent with local law:

KYE Systems Corp. makes no warranties with respect to this documentation, whether expressed or implied. All material is provided “as is”. This includes, but is not limited to, any implied warranties of merchantability and fitness is for a particular purpose. The information covered in this document is subject to change without notice.

KYE Systems Corp. assumes no responsibility for any errors that may appear in this document.

All brand names mentioned in this manual are trademarks or registered trademarks of their respective companies.

Copyright © 2015 KYE Systems Corp. All rights reserved.

System Requirements

- Windows® 8/8.1/10 or later
- Mac OS X 10.10.3 or later
- Bluetooth 4.0 compatible
- Bluetooth compatible
[Human Interface Device
(HID) Profile]

Package Contents

- NX-9000BT
- Micro USB cable
- Multi-language quick guide