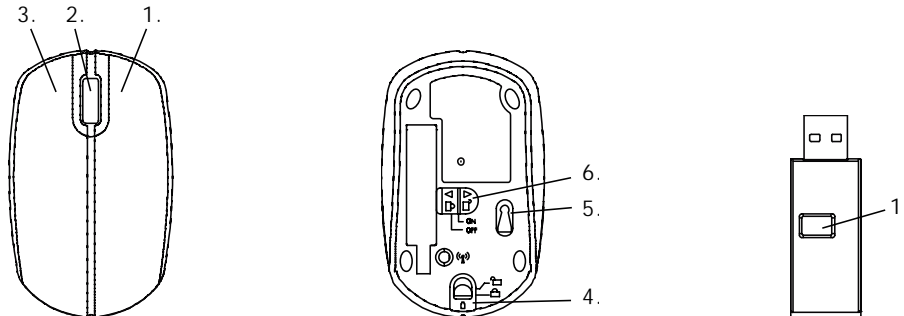


STYLISH 2.4GHz Wireless Mouse SCM-4800



Mouse Appearance:

* Mouse Body:

1. Right Key
2. Wheel Key
3. Left Key
4. Upper Cover Lock
5. RF Linking Button
6. Power Switch

* Dongle Body:

1. RF Linking Button

Set Up Process prior to Manually Use:

1. Un-Lock Battery Cover:
 - 1-1. Un-Lock the Cover Lock of the Mouse Bottom-Cover
 - 1-2. Lift-up the Top-Cover
 - 1-3. Install 2*AAA Batteries
2. Get the Power-Switch Button moved to “ON” mode, and then Dongle will be jumped out
3. Get the Dongle plugged into the USB port
4. Press the Linking Button of the Dongle
5. Then, press the Linking Button of the Mouse bottom for connection

For Power saving, please *get your Mouse into sleep mode following by below steps:*

1. Get your Mouse inactivity for 5 minutes, then Mouse is switched into sleep-mode automatically for saving the battery-power.
2. To wake up the Mouse by clicking either the right or left button-key, or shaking Mouse body.

Product Spec. :

Resolution : Optical 1,000dpi

Dimension : 94.15 × 57.8 × 32.13 mm

Weight : 84.5 g

USB Port : USB1.1

Power Spec : DV/ 5.0V +/-0.5%, 100mA (Maximally)

Warning :

1. If Mouse Cursor is still, please press the Dongle “binding button” to get the Mouse re-started.
2. Make sure only the Alkaline Battery in AAA is used.
3. Make sure your Batteries are positioned correctly against the +/- electrode directions.
4. Make sure your Battery power is enough to drive to Mouse, and please do not mix with your Battery with other different types.
5. Batteries should be moved out once your device is long term non-used.

Federal Communication Commission Interference Statement

This equipment has been tested and found to comply with the limits for a Class B digital device, pursuant to Part 15 of the FCC Rules. These limits are designed to provide reasonable protection against harmful interference in a residential installation. This equipment generates, uses and can radiate radio frequency energy and, if not installed and used in accordance with the instructions, may cause harmful interference to radio communications. However, there is no guarantee that interference will not occur in a particular installation. If this equipment does cause harmful interference to radio or television reception, which can be determined by turning the equipment off and on, the user is encouraged to try to correct the interference by one of the following measures:

- Reorient or relocate the receiving antenna.
- Increase the separation between the equipment and receiver.
- Connect the equipment into an outlet on a circuit different from that to which the receiver is connected.
- Consult the dealer or an experienced radio/TV technician for help.

FCC Caution: Any changes or modifications not expressly approved by the party responsible for compliance could void the user's authority to operate this equipment.

This device complies with Part 15 of the FCC Rules. Operation is subject to the following two conditions: (1) This device may not cause harmful interference, and (2) this device must accept any interference received, including interference that may cause undesired operation.