

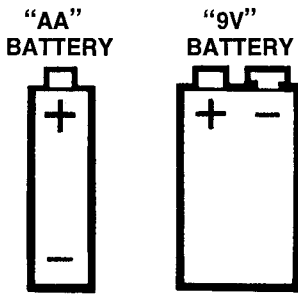


RADIO CONTROLLED VEHICLE

INSTRUCTION MANUAL

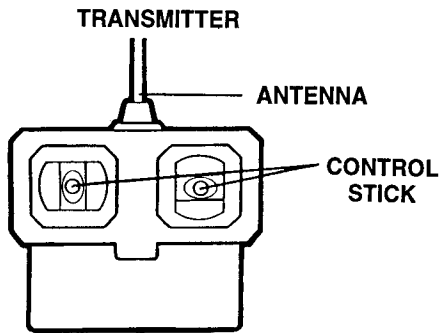
INSTALLING THE BATTERIES

- 1) Set the Power Switch of Vehicle to "OFF" position.
- 2) Insert eight (8)* "AA" batteries (NOT INCLUDED) in the Vehicle.
- 3) Insert one (1) "9V" battery (NOT INCLUDED) in the Transmitter.
- 4) Make sure to place batteries as marked (+) (-).
- 4) The Vehicle is now ready for operation. It will go in accordance to your operation of the 2 Control Sticks on Transmitter.
- 5) The Vehicle will stand still when you release the 2 Control Sticks and the power of Transmitter automatically turns off.
- 6) Try more and you will find it very easy to drive your Vehicle in even the smallest area.

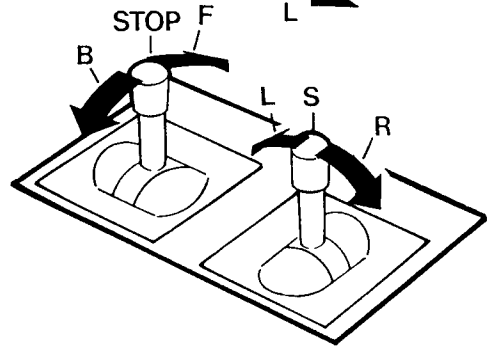
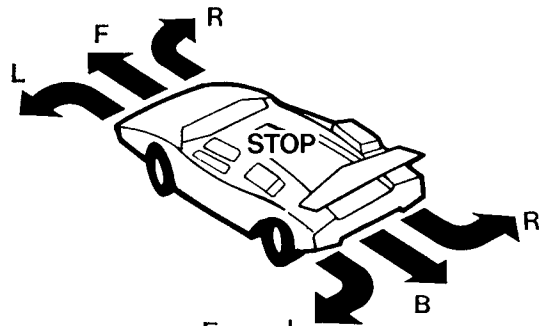


OPERATING INSTRUCTION

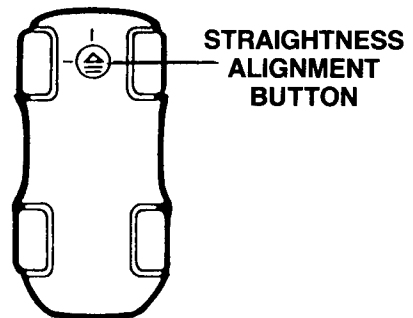
- 1) Extend the Telescopic Rod Antenna on Transmitter to full length. (Some models use flexible type Antenna).



- 2) Select "H" or "L" Gear by turning the Gear Shift Knob on back of Vehicle. (SOME MODELS DO NOT HAVE).
- 3) Set the Power Switch of Vehicle to "ON" position.



- 7) Adjust the Straightness Alignment Button on bottom of Vehicle if it does not travel forward in a straight line.



KA WAH MANUFACTORY LTD.

FCC ID: F5J89449

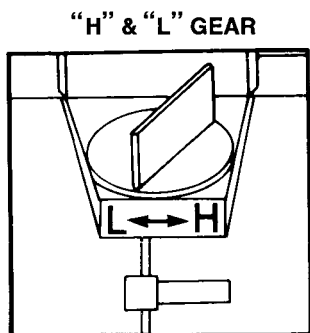
EXHIBIT #: SA



SPECIAL FEATURES (SOME MODELS DO NOT HAVE)

1) "H" & "L" Gear

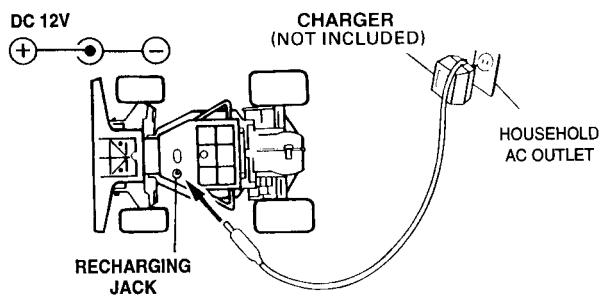
- "H" Gear is suitable for running on flat and wide places. Vehicle runs faster at "H" Gear.
- "L" Gear is suitable for running on rough and narrow places.
- If the Gear Shift Knob does not move smoothly, slight turning of the rear wheels by hand will facilitate shifting.



2) Recharging Jack

- To be used for recharging the eight (8)* "AA" batteries if rechargeable Nickel-Cadmium type is used. Do not try to recharge alkaline or other non-rechargeable batteries. They might rupture or explode.
- Before charging, make certain the Power Switch of Vehicle is at "OFF" position.
- Plug charger into suitable household AC outlet.
- Insert charger cord plug into Vehicle as illustrated.
- Average recharging time is 14 to 16 hours.
- Excessive charge will not improve the power of the batteries but could possibly damage the batteries and cause danger.

* SOME MODELS USE SIX (6) "AA" & ONE (1) "9V" BATTERIES IN VEHICLE.



REPLACEMENT OF BATTERIES

- Replace the eight (8)* "AA" batteries when the Vehicle starts to slow down or recharge if rechargeable Nickel-Cadmium batteries are used.
- Replace the "9V" battery when the control range decreases.

HINTS & TIPS

- Set Power Switch of Vehicle to "OFF" position and take out all batteries when not in use.
- For maximum battery life, be sure to rest your Vehicle for about 20 minutes after 15 to 20 minutes continuous playing to enabling the batteries to recharge themselves.
- Do not operate the Vehicle on sand, mud or thick rugs and do not allow it to go through water.
- Alkaline batteries provide the best power source for your Vehicle, always use them instead of standard type.
- For maximum control range, make sure to extend the Telescopic Rod Antenna on Transmitter fully and always keep both antennas straight up.

DO NOT MIX OLD AND NEW BATTERY.

DO NOT MIX ALKALINE, STANDARD (CARBON-ZINC), OR RECHARGEABLE (NICKEL-CADMIUM) BATTERY.

NOTE: THE MANUFACTURER IS NOT RESPONSIBLE FOR ANY RADIO OR TV INTERFERENCE CAUSED BY UNAUTHORIZED MODIFICATIONS TO THIS EQUIPMENT, SUCH MODIFICATIONS COULD VOID THE USER'S AUTHORITY TO OPERATE THE EQUIPMENT.