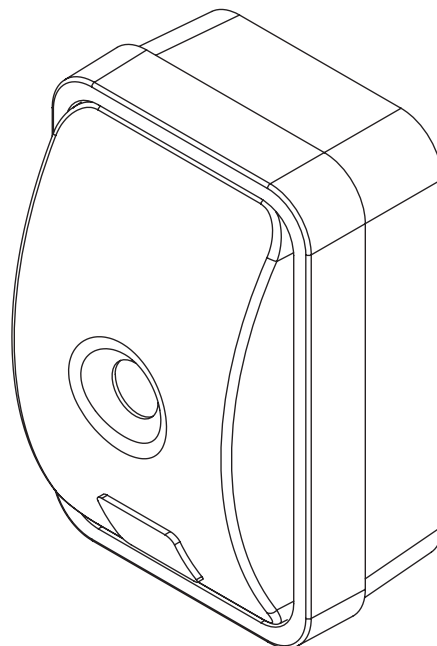


Installation Guide

RFID Wall Reader Installed with InSync RAC

Rev. A — 10/2017
P/N 047 515909



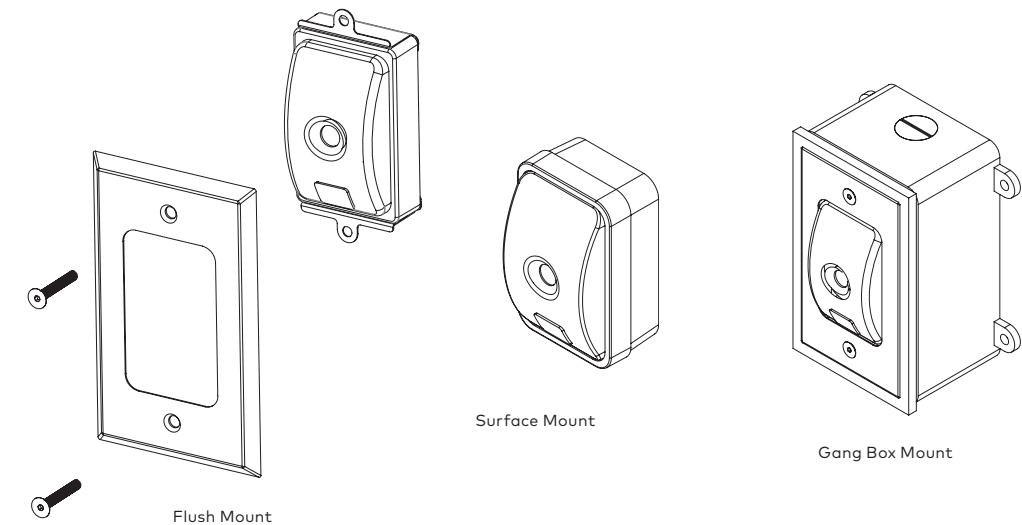
InSync Wall Reader Instructions - (All Models)

CAUTION Wear Safety Glasses While Preparing Wall

Introduction

The RFID wall mounted reader provided by dormakaba is compact, lightweight, rugged and water resistant, able to withstand temperatures from -30°F to 150°F (-35°C to 66°C). It is made from durable materials and comes with at least 15 feet (4.6 m) of cable. The reader is capable of functioning up to distances of 500 feet (152.4 m) when powered from the RAC controller board.

The reader has a blue LED that indicates that the unit is powered. The reader also provides visual feedback when access is granted



Regulatory Compliance:

This device complies with Part 15 of the FCC Rules. Operation is subject to the following two conditions: (1) this device may not cause harmful interference, and (2) this device must accept any interference received, including interference that may cause undesired operation.

Any changes or modifications of this product, not approved by manufacturer will void the user's authority to operate the equipment.

"This device complies with Industry Canada licence-exempt RSS standard(s). Operation is subject to the following two conditions: (1) this device may not cause interference, and (2) this device must accept any interference, including interference that may cause undesired operation of the device."

Le présent appareil est conforme aux CNR d'Industrie Canada applicables aux appareils radio exempts de licence. L'exploitation est autorisée aux deux conditions suivantes : (1) l'appareil ne doit pas produire de brouillage, et (2) l'utilisateur de l'appareil doit accepter tout brouillage radioélectrique subi, même si le brouillage est susceptible d'en compromettre le fonctionnement.

FCC-Q8SRINM

IC-4652A-RINM

Insync Wall Reader Instructions - (All Models)

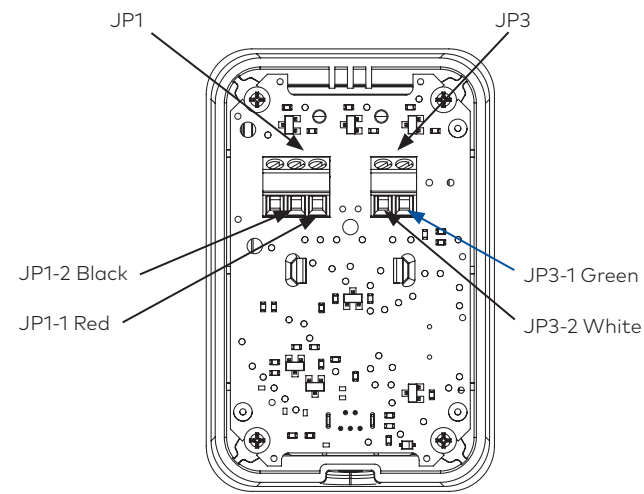


Figure A. InSync Wall Reader

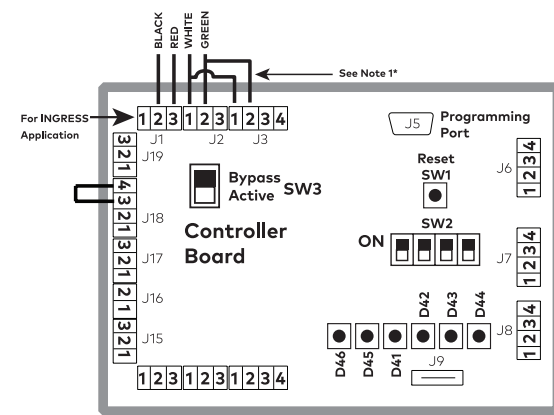


Figure B. Insync RAC Controller Board

Instructions

1. Use drilling template provided to prepare surface for installation
2. Route the wire to the Insync RAC enclosure and connect to the controller board as per the column "RAC Reader Connection" in table 1, or as per Figure B
3. Route the other end of the wire through the hole in the mounting plate to the back of the reader and connect as per column "Reader Connection" in table 1 or as per Figure A

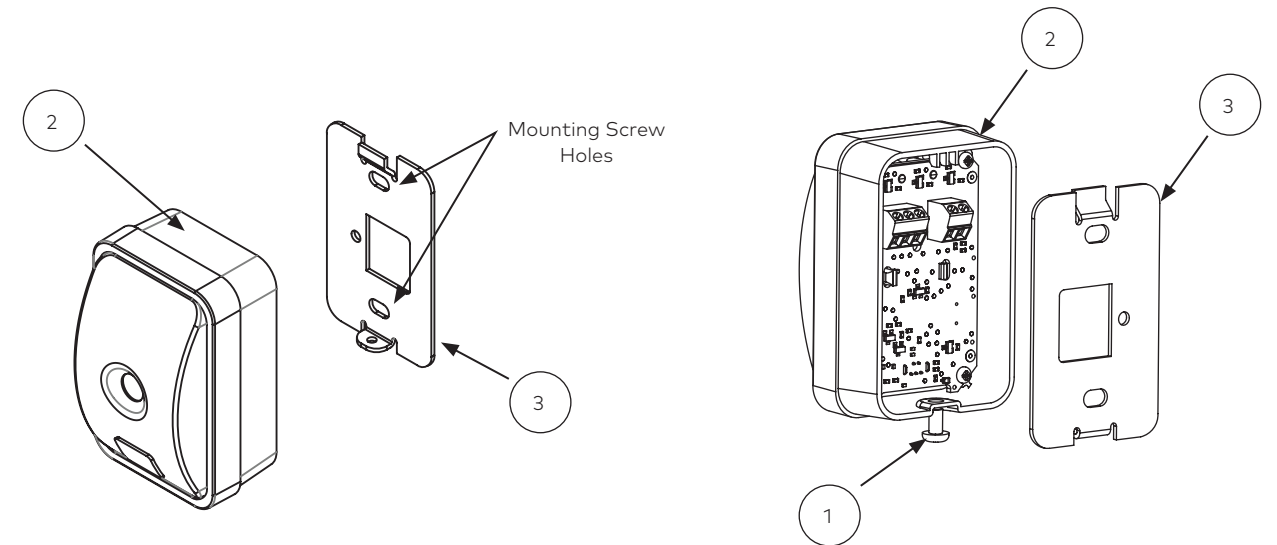
RAC to Wall Reader Connection				
Signal	Reader Connection Terminal Block	RAC	Wire Color	Comments
		Reader Connection		
GND	JP1-2	J1, Pin 2	Black	GND
+12V	JP1-1	J1, Pin 3	Red	+12V
RS485+	JP3-2	J2, Pin 1 + J3, Pin 1*	White	See Note
RS485-	JP3-1	J2, Pin 2 + J3, Pin 2*	Green	See Note

Note: Jumper cables as shown in Figure B must be connected for the reader to operate correctly

Table 1: Insync RAC and Wall Reader Connections

IMPORTANT: The jumper cables supplied with the reader must be connected as shown in Figure B and Table 1 for the contactless reader to operate properly.

InSync Wall Reader Instructions - (Surface Mount)



Instructions

1. Pull cable(s) for RAC through hole in the back plate and, if applicable, through the gasket then screw the mounting plate of the reader to the wall using the screws provided. Use the 1 ¼" wood screws and inserts for drywall, or use the ½" steel screws for mounting on a metal frame
2. Connect cables for Insync RAC as per page 4 of this document
3. Hook the top of the reader enclosure (item #2) onto the top of the mounting plate (item #3) and secure together with the included screw (item #1), tightened at the bottom of the reader

InSync Wall Reader Instructions - (Flush Mount)

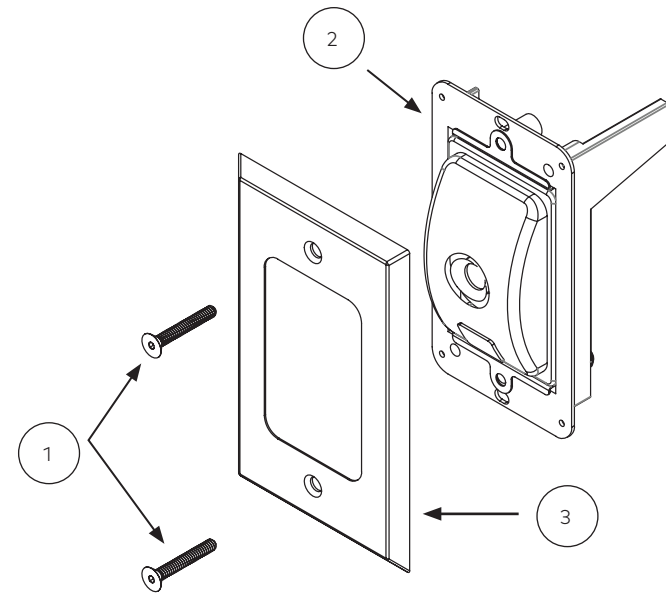


FIGURE 1

Instructions

1. Remove screws (item #1) to remove reader assembly (item #2) from bracket
2. Install the drywall bracket on the wall
3. Connect cables for Insync RAC as per page 4 of this document
4. Install reader (item #2) then faceplate (item #3) using screws (item #1)

InSync Wall Reader Instructions - (Gang Box Mount)

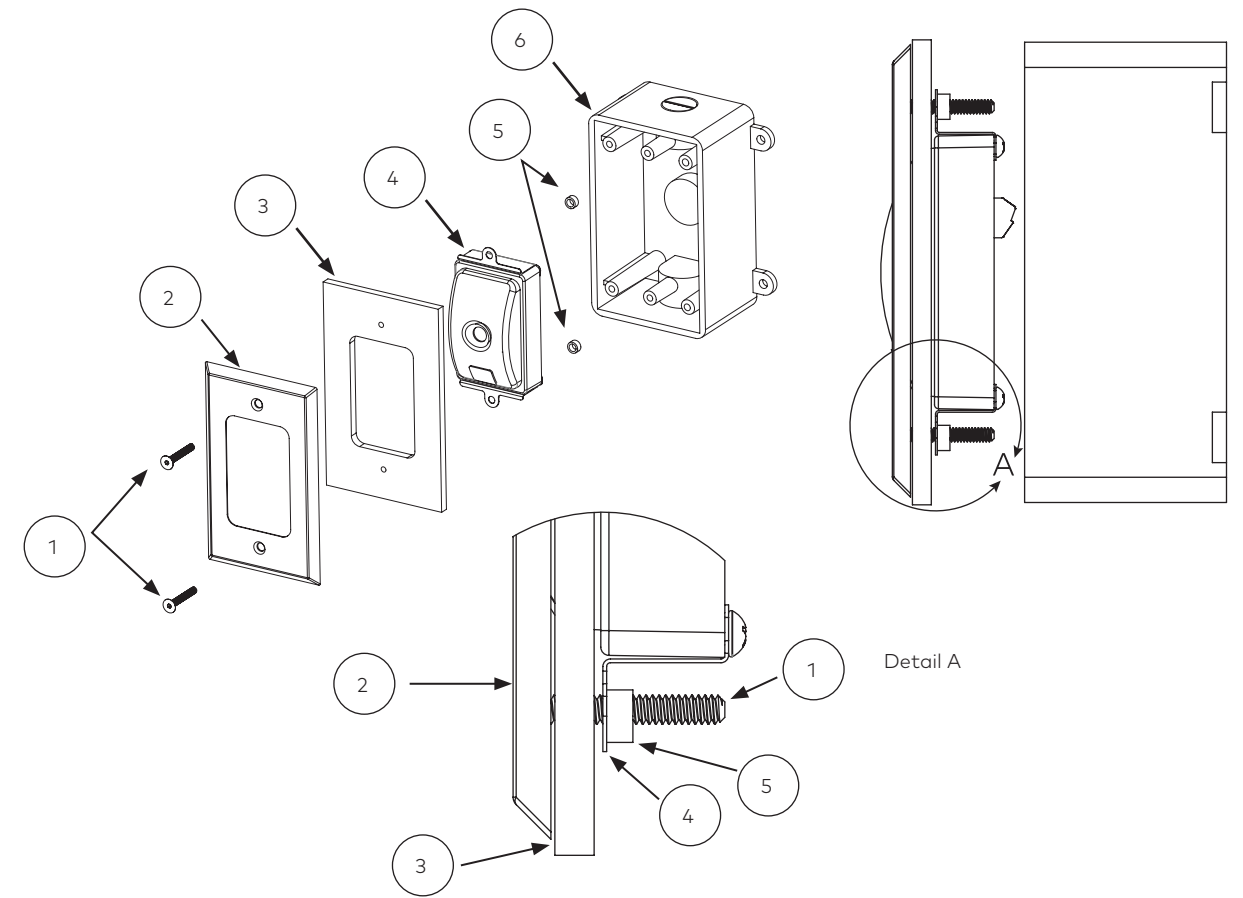


FIGURE 3

Instructions

1. Remove screws (item #1) to gain access to reader assembly (item #4)
2. Carefully remove reader assembly (item #4) (see warning above) remove protective film from reader face
3. Install the gang box with proper screws, not provided
4. Connect cables for Insync RAC as per page 4 of this document
5. Reader assembly orientation to be as shown on page 3 in Figure A.
6. Re-assemble items #1 through #5 in order as shown in detail A, then assemble to gang box (item #6) and tighten screws.

Customer Services & Support
800 849 8324

General Information:
dormakaba.us