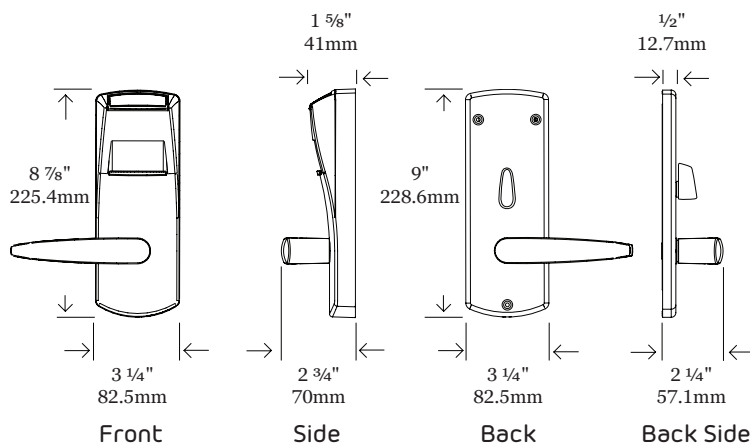


Ilco 76M Series



Overview

Robust, reliable and simple to operate, the Ilco 76M lock is a popular choice for properties of all sizes. Each lock maintains an audit trail to create user accountability. The Ilco 76M works with both the web-based ATLAS™ and the stand-alone portable Front Desk Unit (FDU).

Applications

- Suitable for small to very large scale properties
- Easily replaces existing mechanical or electronic door locks
- Access control for individual units, common areas, and back-of-the-house


Security Features

- High security and tamperproof design
- 1" solid deadbolt (optional auto deadbolt)
- Emergency access: Emergency keycard, mechanical key, and electronic override

Low Maintenance

- Insert reader slot is open so foreign objects are easily removed
- Designed for extended battery life
- Low battery indicator alerts staff
- Lock programming and audit are not erased during battery replacement
- Wear resistant construction and finish
- Upgradeable lock firmware for future enhancements

Mechanical Features

<i>Description</i>	Heavy duty electronic lockset with clutch mechanism and built-in magnetic stripe card reader (mortise, cylindrical, or exit trim)
<i>Handing</i>	Left or right factory handed mortise, field reversible handing (lever and mortise, except 1" mortise)
<i>Levers</i>	ADA compliant, outside lever free to rotate upward and downward in locked mode. Lever clearance (space from end of lever to door): Long Lever: 3/8" (9.5mm) Short Lever: 2" (51mm) Elevon & Gala Levers: 2" (58mm)
	
<i>Concealed Key Override (optional)</i>	Ilco KIK Core (keyed-alike, master keyed, recodable) or Best small IC adaptor
<i>Deadbolt</i>	1" (25 mm) (for ASM mortise) solid metal, projected by inside thumbturn and retracted with the latch by the interior handle, emergency override or specific staff keycards. Optional auto deadbolt available.
<i>Door Thickness</i>	From 1 3/8" to 2 1/2" (35mm to 66mm)
<i>Shipping Weight</i>	8.5 lbs (3.8 kg)
<i>Housing Construction</i>	Cast zinc alloy (outside housing levers and thumbturn), stainless steel inside housing
<i>Standard Finishes</i>	Satin Chrome and Satin Brass
<i>Standard Backset</i>	2 3/4" (70mm) backset, 2 3/8" (60mm) backset also available for cylindrical lock
<i>Locking Options</i>	ANSI lock case with 1 1/4" or 1" front mortise. Optional automatic deadbolt. Cylindrical latch (2 3/8" or 2 3/4" backset).

Batteries

<i>Alkaline</i>	Three AA batteries for up to 50,000 openings or up to three years (based on 10 openings per day). Low battery indicator: alerts staff that batteries need to be changed soon.
-----------------	---

Lock Operation

<i>Date/Time Stamp</i>	Real time: date and hours/minutes
<i>Programming and Audit Trail Downloading</i>	Using Kaba M-Unit or FDU
<i>Pre-registered Keycards</i>	Up to 10 days in advance
<i>Keycard Expiry</i>	From one hour to seven years, depending on type and setup
<i>Passage Mode</i>	Set by authorized keycard
<i>Lockout Mode</i>	Set by authorized keycard
<i>Keycards Accepted</i>	Low coercivity, track 1, 2 or 3 magnetic stripe cards that comply with ISO standard dimensional specifications. Hi-Coercivity (2,700 oresteds), track 3
<i>Feedback</i>	"Dual sensory" audible and visible indicators
<i>Diagnostics</i>	Built-in battery voltage meter and lock version display
<i>Audit Memory</i>	Last 200 transactions
<i>Disability Feature</i>	Extended unlock time (4 seconds standard, 15 seconds for disability)
<i>Privacy Override</i>	By resident keycard user selectable

Certification and Testing

<i>Accessibility Standard</i>	ADA compliant levers (Code of Federal Regulations 28 CFR Part 36 – 1994 "ADA Standards for Accessible Design")
<i>BHMA/ANSI</i>	Certified to be compliant with Grade One performance tests for "ANSI/BHMA A156.13-2005 Standard for Mortise Locks and Latches," and "ANSI/BHMA A156.25-2007 Standard for Electrified Locking Devices." (Only locks tested and approved by non-biased third-party test lab are allowed in the "BHMA Certified Products Directory" found at www.buildershardware.com)
<i>Fire Rating</i>	Listed for pre-prepared manufactured doors and certified for retrofitting on existing doors by Underwriters Laboratories for use on fire doors having up to a three-hour rating. U.L. Certification: "Accessories for Single-point Locks and Latches and Fire Exit Hardware." Evaluated in accordance with UL 10B and UL 10C. U.L. Listing: "Electrically Controlled Single-point Locks and Latches." Evaluated in accordance with UL 10B and UL 10C. Also classified in accordance with Uniform Building Code Standard 7-2, "Fire Test of Door Assemblies" (1997)
<i>Electronics</i>	FCC Part 15 Class A and CE directive 89/336/EEC compliant
<i>Environmental Operating Conditions</i>	-31°F to 151°F (-35°C to 66°C) 0% to 85% non-condensing humidity at 86°F (30°C)
<i>Florida Building Code</i>	Approved in the exterior door category (exterior door components). Code of approval is FL13061.

Warranty

<i>Standard Factory</i>	Two years
<i>Extended Warranty</i>	Kaba Service Plans (Platinum, Gold, Silver)

Kaba Access & Data Systems Americas
 Winston-Salem NC 27105
 1-800-849-8324
www.kaba-adsamericas.com

KAA1347 0216