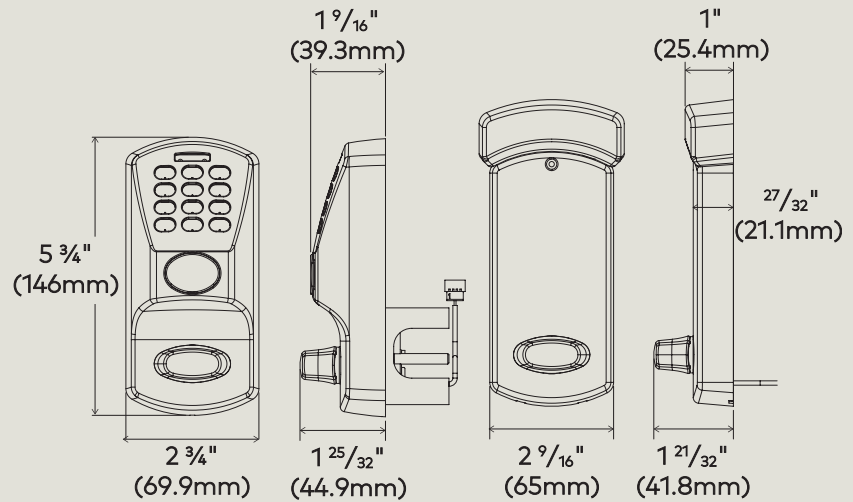


Oracode 480



Preliminary 12/20/17



The Oracode 480 is a deadbolt solution that offers increased security and peace of mind to homeowners, guests, staff, and property managers. Its small, sleek design blends in with most levers and enhances the design of any property. The lock is easy to install and works with the Oracode Live web application.

Security Features

- No keys or keycards
- Secure, time-sensitive codes
- Audit memory with last 5,000 events stored in lock
- Vandalism and attack resistant
- 1" solid brass deadbolt
- Tamper shutdown protection
- Electronic-code secured website

Emergency access by mechanical key override (bump-resistant core)

Simple Retrofit

Property managers can keep existing locksets and reuse them as needed

Easy to Install and Maintain

- Installs in minutes in existing deadbolt door prep
- No new holes to drill
- Totally sealed with no exposed electronics
- No software

Functions

- Six-digit guest codes
- The deadbolt is projected or retracted with a thumbturn
- Multiple user levels

Finish Options

- Ocean Front Satin Chrome
- Ocean Front Oil-rubbed Bronze

Applications

Ideal for vacation rentals, property management companies, timeshares, corporate housing, or individual apartments and condominiums. The 480 lock replaces existing deadbolts and gives the property management company or owner the ability to grant access remotely.

Online Oracode 480i

The Oracode 480i is the online solution for any property. Upgrading to Oracode 480i with the Oracode Smart Controller provides property managers and owners additional flexibility, security, and peace of mind. The online technology allows the user to communicate directly with the Oracode 480i lock from anywhere in the world. Connected to Oracode Live, the lock sends notifications through this website, keeping property managers and owners informed in real time of any occurring event.

Features

Programming Audit Trail	Using Oracode M-Unit (stand-alone) or online (Oracode Live)
Date/Time Stamp	Real time; date and hours/minutes
Time/Parameters	Lock time and set-up parameters are maintained for up to four weeks, facilitating battery changes and lock shipping (stand-alone). Time adjust via wireless link (Oracode Live).
Passage Mode	Set by authorized secure access code
Code Expiry	Code expires at the end of the stay
Access	128 different access levels
Lockout Mode	Set or remove by authorized secure access code
Feedback	Audible and visible indicators
Audit Memory	Last 5,000 events stored in lock Audit Trail is permanently maintained to ensure the highest level of security
Disability Feature	Unlock time is adjustable from 5 to 15 seconds by administrator user level
Power	Three AA batteries with approximately 18 months lifespan

Owner/Manager Benefits

Flexibility	Remote code generation, extension, or cancellation Up to one million possible codes
Simplicity	No keys, no cards. Eliminates the cost of managing or replacing keys or cards No more late-night meets to replace lost keys Installs in minutes. No software to install.
Interface	The web-based stand-alone and online Oracode Live system can interface with various PMS
Communication with the Lock (Oracode Live)	Receive notifications of lock events that occur in real time, such as Guest First Arrival and Guest Early Checkout. Set up alerts, such as Low Battery or Internet Down. Cancel codes or extend stay remotely. Receive lock communications by e-mail, SMS, or directly in "live events."

Guests Benefits

Easy Access	Guests do not have to check out, pick up, or drop off keys
Peace of Mind	Guests do not need to remember where they put their keys or access cards

Certifications and Testing

Fire Rating	Listed for pre-prepared manufactured doors and certified for retrofitting on existing doors by Underwriters Laboratories for use on fire doors having up to a three-hour rating. Evaluated in accordance with UL 10B and UL 10C.
Florida Building Code	Complies with section 1609.1.2 & R301.2.1.2 and does not require impact resistant covering. Meets missile level "D" and includes Wind Zone 4 as defined in ASTM E 1996 and FBC sections 1609.1.2.2 & R301.2.1.2.1.
Electronics	FCC Part 15 Class B and CE directive 89/336/EEC compliant
Environmental Operating Conditions	-31°F to 151°F (-35°C to 66°C) 0% to 85% non-condensing humidity at 86°F (30°C)

Warranty

Standard Factory Warranty	Two years
---------------------------	-----------

Finishes

Standard Finishes	Ocean Front Satin Chrome Ocean Front Oil-rubbed Bronze
-------------------	---