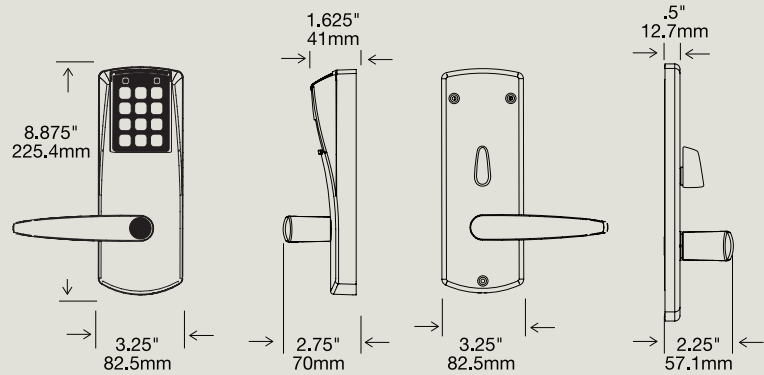


# Oracode 660



## Applications

Ideal for property management companies, time-share resorts, corporate housing, individual apartments, or condominiums that can have up to 15,000 rooms. Oracode 660 Series locks replace existing cylindrical, mortise, or exit trim locking devices in either exterior or interior applications.

## Online Oracode 660i

The Oracode 660i is the online solution for any property. Upgrading to Oracode 660i provides property managers and owners additional flexibility, security, and peace of mind. The online technology allows the user to communicate directly with the Oracode 660i lock from anywhere in the world. Connected to Oracode Live, the lock sends notifications through the website, keeping property managers and owners informed in real time of an occurring event.

Providing access through a secure keycode while allowing free egress, Oracode 660 is as reliable as a mechanical lock with all the added features of an electronic lock, including audit trail, date/time stamp, and passage and lockout mode. The lock supports up to one million possible code combinations and records the last 5,000 events for increased accountability. The lock is easy to install and works with the Oracode Live web application.

## Security Features

- No keys or keycards
- Secure, time-sensitive codes
- Audit memory with last 5,000 events stored in the lock
- Vandalism and attack resistant
- 1" solid deadbolt (mortise model)
- Tamper shutdown protection
- Electronic-code secured website
- Emergency access by mechanical key override (bump-resistant core)

## Easy to Install and Maintain

- Available with cylindrical, exit trim, and mortise locking device options
- Totally sealed with no exposed electronics
- No software
- Access codes, lock setup, and audit trail not erased during battery replacement

## Functions

Six-digit guest codes  
Multiple user levels  
Audible and visual sensors  
Adjustable unlock times  
Personalized code programmed by user  
Finish Options  
Ocean Front Satin Chrome  
Ocean Front Oil-rubbed Bronze  
Ocean Front Satin Brass

## Mechanical Features

Description	Heavy-duty electronic lockset, cylindrical, mortise, or exit trim locking device options; clutch mechanism activated by numeric combination
Handing	Left or right handed, field reversible
Door Preparation	Door preparation drawing and drilling template provided
Guest Privacy	Interior thumbturn or mortise version (optional)
Numeric Keypad	Vandal-resistant, 12-button, metal keys
Weight	8 lbs. (3.6 kg)
Lever Type	Short and long levers available
Mechanical Key Override	In-handle, removable core type KIL, C-keyway
Door Thickness	From 1 3/8" to 2 1/2" (35 mm to 64 mm)

## Lock Operation

Combination Codes	6+ digits per code
Personalized Code	Programmable by end user
Emergency Access	Mechanical key override
Programming Audit Trail	Using Oracode M-Unit (stand-alone) or online (Oracode Live)
Date/Time Stamp	Real time; date and hours/minutes
Time Parameters	Lock time and set-up parameters are maintained for up to four weeks, facilitating battery changes and lock shipping (stand-alone). Time adjust via wireless link (Oracode Live).
Passage Mode	Set or remove by authorized access code
Code Expiry	Code expires at the end of the stay
Access	128 different access levels
Lockout Mode	Set or remove by authorized secure access code
Feedback	Audible and visible indicators
Audit Memory	Last 5,000 events stored in lock. Audit trail is permanently maintained to ensure the highest level of security.
Disability Feature	Unlock time is adjustable from 5 to 15 seconds by administrator user level
Power	Three AA batteries with a 2-3 year lifespan (approximately 18 months for Oracode 660i online version)

## Owner/Manager Benefits

Flexibility	Remote code generation, extension, or cancellation. Up to one million possible combinations.
Simplicity	No keys, no cards. Eliminates the cost of managing or replacing keys or cards. No more late-night meets to replace lost keys. Installs in minutes. No software to install.
Interface	The web-based, stand-alone and online Oracode Live system can interface with various PMS
Communication with the Lock (Oracode Live)	Receive notifications of lock events that occur in real time, such as Guest First Arrival and Guest Early Checkout. Set up alerts, such as Low Battery or Internet Down. Cancel codes or extend a stay remotely. Receive lock communications by e-mail, SMS, or directly in "live events".

## Guest Benefits

Easy Access:	Guests do not have to check out, pick up, or drop off keys
Peace of Mind	Guests do not need to remember where they put their keys or access codes

## Certifications and Testing

Accessibility Standard	ADA compliant lever (Code of Federal Regulations 28 CFR Part 36 – 1994 "ADA Standards for Accessible Design")
Fire Rating	Listed for pre-prepared manufactured doors and certified for retrofitting on existing doors by Underwriters Laboratories for use on fire door having up to a three-hour rating. Evaluated in accordance with UL 10B and UL 10C.
Electronics	FCC Part 15 Class B and CE directive 89/336/EEC compliant
Environmental Operating Conditions	-31 °F to 151 °F (-35 °C to 66 °C) 0% to 85% non-condensing humidity at 86 °F (30 °C)
Florida Building Code	Approved in the exterior door category (exterior door components). Certified compliance to the Florida Building Code FL13061.1 for installation in HVHZ (High Velocity Hurricane Zone) areas for mortise with deadbolt and auto deadbolt locking devices only (Refer to Florida Building.org for actual product approvals and specifications)
Durability	Meets requirements of ANSI A156.25 for dust, rain, humidity, and salt spray corrosion tests.

## Warranty

Standard Factory Warranty	Two years
---------------------------	-----------

## Finishes

Standard Finish	Ocean Front Satin Chrome
	Ocean Front Oil-rubbed Bronze
	Ocean Front Satin Brass