

# Oracode Order Guide

Effective 01/08/2018



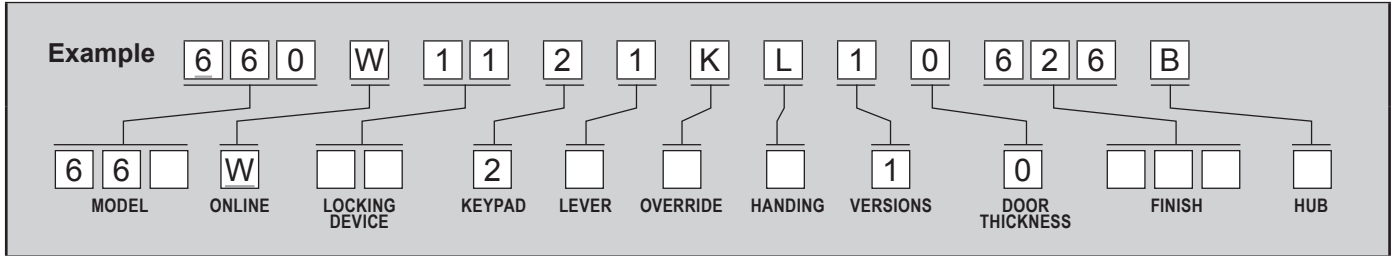


How to Order .....	4
Oracode System.....	5
Oracode 660 .....	6-7
Oracode 660 American Standard Mortise (ASM) 1 ¼" .....	8
Oracode 660 American Standard Mortise (ASM) 1" .....	9
Oracode 660 European Standard Mortise (ESM) .....	10-11
Oracode 660 Cylindrical .....	12
Oracode 660 Exit Device Operator .....	13-14
Oracode 660 Dimensions .....	15-16
Oracode 480i .....	17-18
Oracode 480i Deadbolt .....	19
Oracode Smart Controller .....	20-21
M-Unit .....	22
Remote Access Controller .....	23-24
Remote Access Controller 660G.....	25
Remote Access Controller 660G XT .....	26
Lock Accessories Decorative Plates .....	27-28
Lock Accessories Strikes .....	29
Lock Accessories Miscellaneous Plates .....	30
Lock Accessories Miscellaneous Compatible with Oracode 660 Series.....	31
Lock Accessories Wood Mounts and Demo Locks .....	32
660 Lock Replacement Parts .....	33-38
460 Lock Replacement Parts .....	39-41
480i Lock Replacement Parts .....	42-43

## Oracode Order Guide

### How to Order

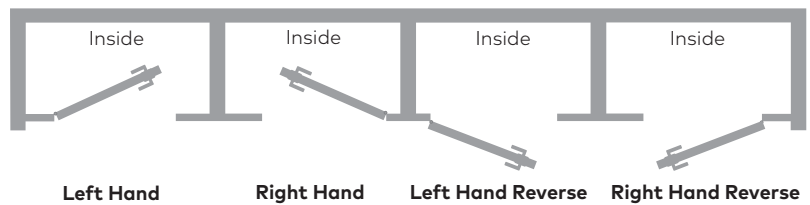
To order any of the products in this catalog, a part number must be provided. In most situations the part number has to be assembled to specify the desired product, as various options are available.



#### Build the model number with the desired options

#### Door Handing

Some locks also require you to specify door handing. To determine handing, face the door from the exterior (access) side and select the corresponding diagram below.



## Lock Functions

#### Lock

These locks remain permanently in locked mode. For higher security, the mortise version includes a 1" deadbolt. This is suitable for applications where the person in the locked area needs added protection. ANSI equivalent functions: Hotel Guest Lock (F15).

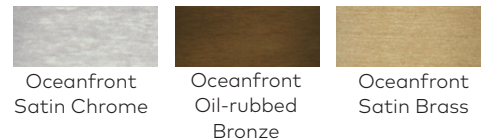
#### Exit Device Operator

These locks operate with an exit device to permit controlled access from the outside. The lock mode (passage or locked) can be changed. ANSI equivalent functions: Holdback Door (F06).

## Finishes

#### Oceanfront Finish

More durable than a Physical Vapor Deposition (PVD) finish, the Oceanfront finish will resist acid-salt spray. The Oceanfront finish is ideal for outdoor severe environments, including oceanfront properties. An outdoor gasket and a security screw for the battery pack comes standard with this option.



#### Cleaning the Lock Finish

As a Kaba customer, we recommend that you regularly maintain your electronic lock finish. To remove salt and pollutants, we strongly recommend only using a water-damp rag rather than any harsh or caustic chemicals. Lock Body Finish and Mortise Faceplates All locks will be shipped standard with a stainless steel mortise faceplate for all finishes including custom finishes.

## Where to Order

Contact your Oracode Sales Manager  
For More Information

follow us on  
**twitter** @kabaaccess

www.kabalodging.com

The following are registered trademarks: Microsoft®, Excel®, Windows®, Apple®

## Oracode System

### Principles of the Keyless Entry

The Oracode Access Control System eliminates the need for keys or keycards. Security is provided at the lock with a 6-digit pushbutton access code that has 1 million possible combinations and tamper shutdown to discourage code guessing. Valid access codes (or PINs) can only be generated using the password protected web-based software with the correct site code. Emergency access is provided by a mechanical key override with a removable core that can be keyed to an existing master key system. Egress is by interior handle and is free at all times.

The Oracode cylindrical lock installs quickly in place of standard cylindrical locks with the addition of three mounting screws.

The lock is also available in standard and slim mortise versions. The lever handle is ADA (Americans with Disabilities Act) compliant. The lock keypad is a familiar and easy-to-use design. The locking action is sure and smooth, and the attractive and robust design of the lock compliments any decor.

The lock is easy to program and features a 5,000 record audit trail to create user accountability. Once the lock is programmed, there is no need for management to visit the lock, except for necessary audits and routine maintenance. To program and audit the K series locks, a hand-held module is used to carry data to the lock. Note: i Series locks do not require programming at the lock. Programming involves setting the lock's identity (room number), setting the current date and time, and selecting other lock features. PINs for access to the lock are then generated using the web-based software.

### How the System Works:

The Oracode system utilizes proprietary web-based software to generate a unique time sensitive 6-digit PIN for each guest. Each PIN is valid for a specific room and time period, expiring automatically at the end of the guest's reservation. Each installation of the Oracode system has a unique and permanent site code that prevents access using PINs from other sites. Since codes can be generated months or even years in advance, guests can be pre-registered by SMS or e-mail to either a mobile device or laptop, and there is no need to visit the lock. Guests can check-in or out without assistance.

Guests can change their PIN to any 6-digit code for easy memorization. Guests who need to return to their room after their pre-registered stay has expired can be issued a one-time code. Presently there are 128 access levels available for guest, master, housekeeping, and other users of the lock. Additional features that can be allocated to different users include passage and lockout modes, and emergency deadbolt override. These multiple access levels allow management to restrict staff access to specific groups of rooms. The audit trail indicates which staff code opened the door and when.

Providing access through a secure keycode while allowing free egress, Oracode 660 is as reliable as a mechanical lock with all the added features of an electronic lock, including audit trail, date/time stamp, and passage and lockout mode. The lock supports up to one million possible code combinations and records the last 5,000 events for increased accountability. The lock is easy to install and works with the Oracode Live web application.

### Security Features

- No keys or keycards
- Secure, time-sensitive codes
- Audit memory with last 5,000 events stored in the lock
- Vandalism and attack resistant
- 1" solid deadbolt (mortise model)
- Tamper shutdown protection
- Electronic-code secured website
- Emergency access by mechanical key override (bump-resistant core)

### Easy to Install and Maintain

- Available with cylindrical, exit trim, and mortise locking device options
- Totally sealed with no exposed electronics
- No software
- Access codes, lock setup, and audit trail not erased during battery replacement

### Functions

- Six-digit guest codes
- Multiple user levels
- Audible and visual sensors
- Adjustable unlock times
- Personalized code programmed by user
- 

### Finish Options

- Oceanfront Satin Chrome
- Oceanfront Oil-rubbed Bronze
- Oceanfront Satin Brass

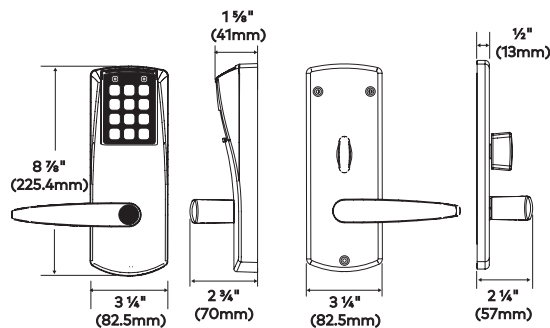


### Applications

Ideal for property management companies, time-share resorts, corporate housing, individual apartments, or condominiums that can have up to 15,000 rooms. Oracode 660 Series locks replace existing cylindrical, mortise, or exit trim locking devices in either exterior or interior applications.

### Online Oracode 660i

The Oracode 660i is the online solution for any property. Upgrading to Oracode 660i provides property managers and owners additional flexibility, security, and peace of mind. The online technology allows the user to communicate directly with the Oracode 660i lock from anywhere in the world. Connected to Oracode Live, the lock sends notifications through the website, keeping property managers and owners informed in real time of an occurring event.



## MECHANICAL FEATURES

Description	Heavy-duty electronic lockset, cylindrical, mortise, or exit trim locking device options; clutch mechanism activated by numeric combination
Handing	Left or right handed, field reversible
Door Preparation	Door preparation drawing and drilling template provided
Guest Privacy	Interior thumbturn or mortise version (optional)
Numeric Keypad	Vandal-resistant, 12-button, metal keys
Weight	8 lbs. (3.6 kg)
Lever Type	Short and long levers available, inside knob
Mechanical Key Override	In-handle, removable core type KIL, proprietary keyway
Door Thickness	From 1 3/8" to 2 1/2" (35 mm to 64 mm)

## LOCK OPERATION

Combination Codes	6+ digits per code
Personalized Code	Programmable by end user
Emergency Access	Mechanical key override
Programming Audit Trail	Using Oracode M-Unit (stand-alone) or online (Oracode Live)
Date/Time Stamp	Real time; date and hours/minutes
Time Parameters	Lock time and set-up parameters are maintained for up to four weeks, facilitating battery changes and lock shipping (stand-alone). Time adjust via wireless link (Oracode Live).
Passage Mode	Set or remove by authorized access code
Code Expiry	Code expires at the end of the stay
Access	128 different access levels
Lockout Mode	Set or remove by authorized secure access code
Feedback	Audible and visible indicators
Audit Memory	Last 5,000 events stored in lock. Audit trail is permanently maintained to ensure the highest level of security.
Disability Feature	Unlock time is adjustable from 5 to 15 seconds by administrator user level
Power	Three AA batteries with a 2-3 year lifespan (approximately 18 months for Oracode 660i online version)

## OWNER/MANAGER BENEFITS

Flexibility	Remote code generation, extension, or cancellation. Up to one million possible combinations.
Simplicity	No keys, no cards. Eliminates the cost of managing or replacing keys or cards. No more late-night meets to replace lost keys. Installs in minutes. No software to install.
Interface	The web-based, stand-alone and online Oracode Live system can interface with various PMS
Communication with the Lock (Oracode Live)	Receive notifications of lock events that occur in real time, such as Guest First Arrival and Guest Early Checkout. Set up alerts, such as Low Battery or Internet Down. Cancel codes or extend a stay remotely. Receive lock communications by e-mail, SMS, or directly in "live events".

## GUEST BENEFITS

Easy Access	Guests do not have to check out, pick up, or drop off keys
Peace of Mind	Guests do not need to remember where they put their keys or access codes
Certifications and Testing	
Accessibility Standard	ADA compliant lever (Code of Federal Regulations 28 CFR Part 36 – 2010 "ADA Standards for Accessible Design")
Fire Rating	Listed for pre-prepared manufactured doors and certified for retrofitting on existing doors by Underwriters Laboratories for use on fire door having up to a three-hour rating. Evaluated in accordance with UL 10B and UL 10C.
Electronics	FCC Part 15 Class B and CE directive 89/336/EEC compliant
Environmental Operating Conditions	-31 °F to 151 °F (-35 °C to 66 °C) 0% to 85% non-condensing humidity at 86 °F (30 °C)
Florida Building Code	Approved in the exterior door category (exterior door components). Certified compliance to the Florida Building Code FL13061.1 for installation in HVHZ (High Velocity Hurricane Zone) areas for mortise with deadbolt and auto deadbolt locking devices only (Refer to Florida Building.org for actual product approvals and specifications)
Durability	Meets requirements of ANSI A156.25 for dust, rain, humidity, and salt spray corrosion tests

## WARRANTY

Standard Factory Warranty Two years

## FINISHES

Standard Finish	Oceanfront Satin Chrome, Oceanfront Oil-rubbed Bronze, Oceanfront Satin Brass
-----------------	---

### Example

<input type="checkbox"/>	<input type="checkbox"/>	<input type="checkbox"/>	<input type="checkbox"/>	<input type="checkbox"/>	<input type="checkbox"/>	<input type="checkbox"/>	<input type="checkbox"/>	<input type="checkbox"/>	<input type="checkbox"/>	<input type="checkbox"/>	<input type="checkbox"/>	<input type="checkbox"/>	<input type="checkbox"/>	<input type="checkbox"/>	<input type="checkbox"/>	<input type="checkbox"/>	<input type="checkbox"/>	<input type="checkbox"/>
MODEL	ONLINE	LOCKING DEVICE		KEYPAD	LEVER	OVERRIDE	HANDING	VERSION	DOOR THICKNESS	FINISH			HUB					

**Build the model number with the desired options**

Model	Description
66X	American Standard Mortise (ASM) Lock 1 ¼" Mortise

### Choose One Option from Each Category

Model	Description
660	Deadbolt operated by the thumbturn
661	Unit Lock, no deadbolt, no thumbturn, no privacy
662	Privacy Lock, no deadbolt, privacy thumbturn
664	Demo Lock
667	Common Door Lock, no deadbolt, no thumbturn, no privacy

Online	Description
W	For 660 i Series Online Lock (leave blank if not required)

Locking Device	Description
10	ASM with 1 ¼" (32 mm) face plate, field reversible handing (660)
16	ASM with 1 ¼" (32 mm) face plate, field reversible handing, Auto-deadbolt (660)
12	ASM with 1 ¼" (32 mm) face plate, field reversible handing (661 and 667)
14	ASM with 1 ¼" (32 mm) face plate, field reversible handing (662)

Keypad	Description
2	Metal keypad

Lever	Description
1	Long/Long
2	Short/Short
C	Short/Knob
A	Long/Knob

Override	Description
K	Mechanical key cylindrical Lori universal (1539) key-in-knob
D	Core in box keyed differently

Handing	Description
L	Left
R	Right
F	Dual Handed (L & R), Left Hand Reverse, Right Hand Reverse (X & Y)

Version	Description
1	

Door Thickness	Description
0	1 ⅝" – 2 ½" (41 – 63 mm), For doors greater than 2 ½" (63 mm) order a thick door kit in Lock Accessories

Finish	Description
U06	Oceanfront Satin Brass
U26	Oceanfront Satin Chrome
U13	Oceanfront Oil-rubbed Bronze

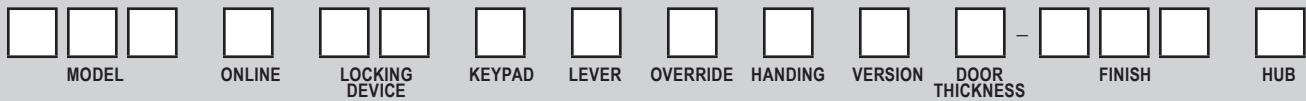
Hub	Description
H	Standard Oracode Controller
B	Oracode Smart Controller for use with Oracode/BeHome247 Integrated Solution

\*\* Locks are assembled "Right-Hand" and may be field reversed for Left-Hand doors



## American Standard Mortise (ASM) Lock 1" Mortise

### Example



### Build the model number with the desired options

Model	Description
66X	American Standard Mortise (ASM) Lock 1" Mortise

### Choose One Option from Each Category

Model	Description
660	Deadbolt operated by the thumbturn
661	Unit Lock, no deadbolt, no thumbturn, no privacy
662	Privacy Lock, no deadbolt, privacy thumbturn
667	Common Door Lock, no deadbolt, no thumbturn, no privacy

Online	Description
W	For 660 i Series Online Lock (leave blank if not required)

Locking Device	Description
11	ASM with 1" (25 mm) face plate, no field reversible handing (660)
17	ASM with 1" (25 mm) face plate, no field reversible handing, Auto-deadbolt (660)
13	ASM with 1" (25 mm) face plate, no field reversible handing (661 and 667)
15	ASM with 1" (25 mm) face plate, no field reversible handing (662)

Keypad	Description
2	Metal keypad

Lever	Description
1	Long/Long
2	Short/Short
C	Short/Knob
A	Long/Knob

Override	Description
K	Mechanical key cylindrical Lori universal (1539) key-in-knob
D	Core in box keyed differently

Handing	Description
L	Left
R	Right

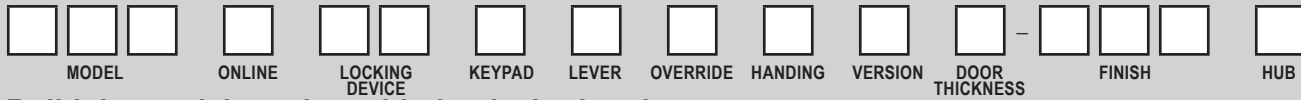
Version	Description
1	

Door Thickness	Description
0	1 5/8" – 2 1/2" (41 – 63 mm), For doors greater than 2 1/2" (63 mm) order a thick door kit in Lock Accessories

Finish	Description
U06	Oceanfront Satin Brass
U26	Oceanfront Satin Chrome
U13	Oceanfront Oil-rubbed Bronze

Hub	Description
H	Standard Oracode Controller
B	Oracode Smart Controller for use with Oracode/BeHome247 Integrated Solution

### Example



### Build the model number with the desired options

Model	Description
66X	European Standard Mortise (ESM) Lock

### Choose One Option from Each Category

Model	Description
660	Deadbolt operated by the thumbturn
661	Unit Lock, no deadbolt, no thumbturn, no privacy
662	Privacy Lock, no deadbolt, privacy thumbturn
664	Demo Lock
667	Common Door Lock, no deadbolt, no thumbturn, no privacy
Online	Description
W	For 660 i Series Online Lock (leave blank if not required)
Locking Device	Description
00	No locking mechanism, no strike (660)
30	ESM, with no faceplate, field reversible handing (660)
31	ESM, with no faceplate, field reversible handing (661 and 667)
Keypad	Description
2	Metal keypad
Lever	Description
1	Long/Long
2	Short/Short
C	Short/Knob
A	Long/Knob
Override	Description
K	Mechanical key cylindrical Lori universal (1539) key-in-knob
D	Core in box keyed differently
Handing	Description
L*	Left or Right Hand Reverse
R	Right or Left Hand Reverse
N	No locking mechanism
Version	Description
1	
Door Thickness	Description
0	1 3/8" – 2 1/2" (41 – 63 mm), For doors greater than 2 1/2" (63 mm) order a thick door kit in Lock Accessories
Finish	Description
U06	Oceanfront Satin Brass
U26	Oceanfront Satin Chrome
U13	Oceanfront Oil-rubbed Bronze
Hub	Description
H	Standard Oracode Controller
B	Oracode Smart Controller for use with Oracode/BeHome247 Integrated Solution

\* For locking devices 30 and 31, locks are assembled "Right Hand" and may be field reversible for left hand doors.

## European Standard Mortise (ESM) Lock

### ESM Faceplates and Strikes

Mortise face plates are not included with European Standard Mortise (ESM). To order see below.

Description	Part
13/16" (20 mm) round face plate with deadbolt cutout	128-508593-DXXX
13/16" (20 mm) round face plate without deadbolt cutout	128-508593-OXXX
29/32" (23 mm) round face plate with deadbolt cutout	128-508595-DXXX
29/32" (23 mm) round face plate without deadbolt cutout	128-508595-OXXX
13/16" (20 mm) square face plate with deadbolt cutout	128-508594-DXXX
13/16" (20 mm) square face plate without deadbolt cutout	128-508594-OXXX
7 1/4" (180 mm) strike with deadbolt - universal	041-510141-XXXX
Replace XXX by 626 (Satin Chrome) or 606 (Satin Brass)	

### Example

<input type="checkbox"/>	<input type="checkbox"/>	<input type="checkbox"/>	<input type="checkbox"/>	<input type="checkbox"/>	<input type="checkbox"/>	<input type="checkbox"/>	<input type="checkbox"/>	<input type="checkbox"/>	<input type="checkbox"/>	<input type="checkbox"/>	<input type="checkbox"/>	<input type="checkbox"/>	<input type="checkbox"/>	<input type="checkbox"/>	<input type="checkbox"/>	<input type="checkbox"/>	<input type="checkbox"/>	<input type="checkbox"/>
MODEL	ONLINE	LOCKING DEVICE	KEYPAD	LEVER	OVERRIDE	HANDING	VERSION	DOOR THICKNESS	FINISH	HUB								

### Build the model number with the desired options

Model	Description
66X	Cylindrical Lock

### Choose One Option from Each Category

Model	Description
661	Unit Lock, no deadbolt, no thumbturn, no privacy
662	Privacy Lock, no deadbolt, privacy activated with thumbturn
664	Demo Lock
667	Common Door Lock, no deadbolt, no thumbturn, no privacy
Online	Description
W	For 660 i Series Online Lock (leave blank if not required)
Locking Device	Description
50	2 ¾" (70 mm) backset with ½" (13 mm) latch
54	2 ¾" (60 mm) backset with ½" (13 mm) latch (not fire rated)
Keypad	Description
2	Metal keypad
Lever	Description
1	Long/Long
2	Short/Short
C	Short/Knob
A	Long/Knob
Override	Description
K	Mechanical key cylindrical Lori universal (1539) key-in-knob
D	Core in box keyed differently
Handing	Description
F	Dual Handed (L & R), Left Hand Reverse, Right Hand Reverse (X & Y) (Assembled Right Hand)
N	No locking mechanism
Version	Description
1	
Door Thickness	Description
0	1 ⅝" – 2 ½" (41 – 63 mm), For doors greater than 2 ½" (63 mm) order a thick door kit in Lock Accessories
Finish	Description
U06	Oceanfront Satin Brass
U26	Oceanfront Satin Chrome
U13	Oceanfront Oil-rubbed Bronze
Hub	Description
H	Standard Oracode Controller
B	Oracode Smart Controller for use with Oracode/BeHome247 Integrated Solution

# Oracode 660

## Exit Device Operator

### Example



### Build the model number with the desired options

Model	Description
63X	Exit Device Operator

### Choose One Option from Each Category

Model	Description
631	Rim Operator Includes Dorma Exit Device
632	Mortise Operators, Exit Device not included
633	Rim Operators, Exit Device not included
634	Vertical Rod, Surface Mount Operators, Exit Device not included
635	Vertical Rod, Concealed Operators, Exit Device not included
<b>Online</b>	<b>Description</b>
W	For 660 i Series Online Lock (leave blank if not required)
<b>For 631</b>	<b>Description</b>
6	Dorma 9300, not UL fire rated
<b>For 632</b>	<b>Description</b>
0	Von Duprin 9875, 9975EO-F
A	Arrow S3908, S1908
7	Dorma F9500/9500
<b>For 633</b>	<b>Description</b>
0	Von Duprin 98/99 EO-F
1	Arrow S3888
2	Yale 7100-36
5	Precision 21, F21
6	Detex 10, FL 10
7	Dorma F9300/9300
8	Arrow S1808, S3808*
9	Detex V40
H	Hager 4500
<b>For 634</b>	<b>Description</b>
0	Von Duprin 9827, 9927EO-F
1	Arrow S3708, S1708*
2	Yale 7170
5	Precision 22, FL22
6	Detex 20, FL20
7	Dorma 9400
H	Hager 4500
S	Sargent 8710
<b>For 635</b>	<b>Description</b>
0	Von Duprin 9847, 9947EO-F
2	Yale 7160
7	Dorma 9100
<b>Keypad</b>	<b>Description</b>
2	Metal keypad
<b>Lever</b>	<b>Description</b>
1	Long
2	Short

Override	Description
K	Mechanical key cylindrical Lori universal (1539) key-in-knob
D	Core in box keyed differently

Version	Description
1	Operator mounted on the adapter plate outside the door
4	Exit Device mounted on the adapter plate inside the door

Door Thickness	Description
1	1¾" (46 mm) – 2" (53 mm)
2	2" (53 mm) – 2¼" (57 mm)

Finish	Description
U06	Oceanfront Satin Brass
U26	Oceanfront Satin Chrome
U13	Oceanfront Oil-rubbed Bronze

Hub	Description
H	Standard Oracode Controller
B	Oracode Smart Controller for use with Oracode/BeHome247 Integrated Solution

### Exit Device Operator

- Allows exit doors equipped with panic devices to double as controlled entrances
- Weight: 3 lbs. (1.3 kg)
- Minimum door style required 5" (127 mm)
- Supplied with gasket kit for exterior doors. All fitted with adapter plate.

### Exit Device

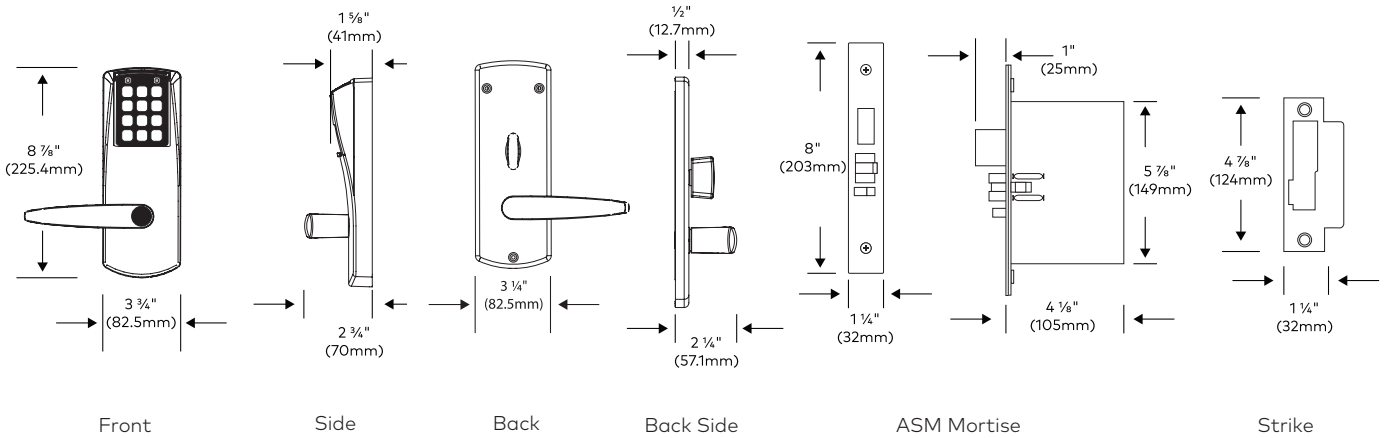
- Stainless steel Dorma exit device supplied with Oceanfront Satin Chrome lock operator.
- Stain Brass exit device supplied with Oceanfront Satin Brass lock operator.

\* For compatibility with Arrow S3808, S1808, S3708, and S1708, order a square spindle to cross-point spindle adapter (part #032-511055)

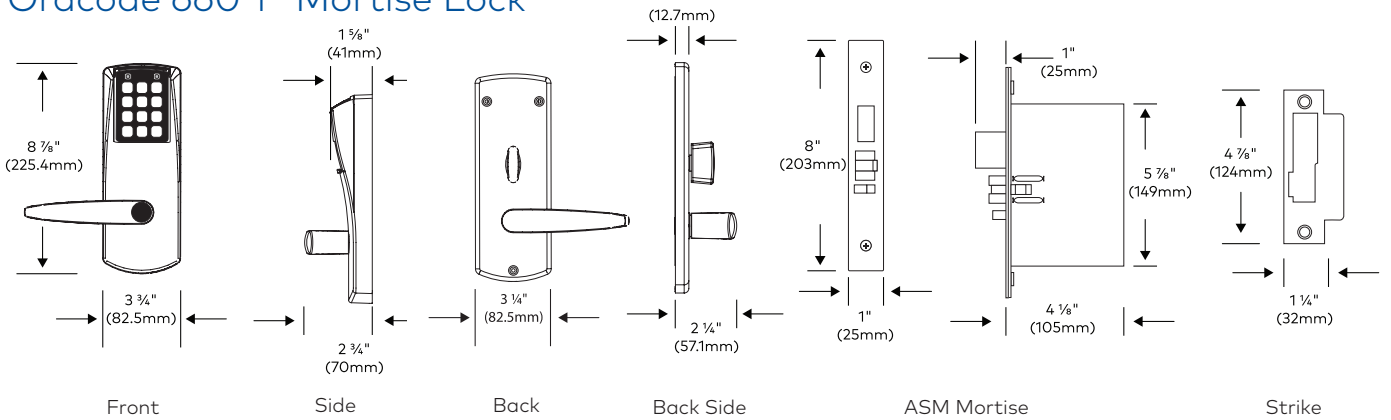
# Oracode 660

## Dimensions

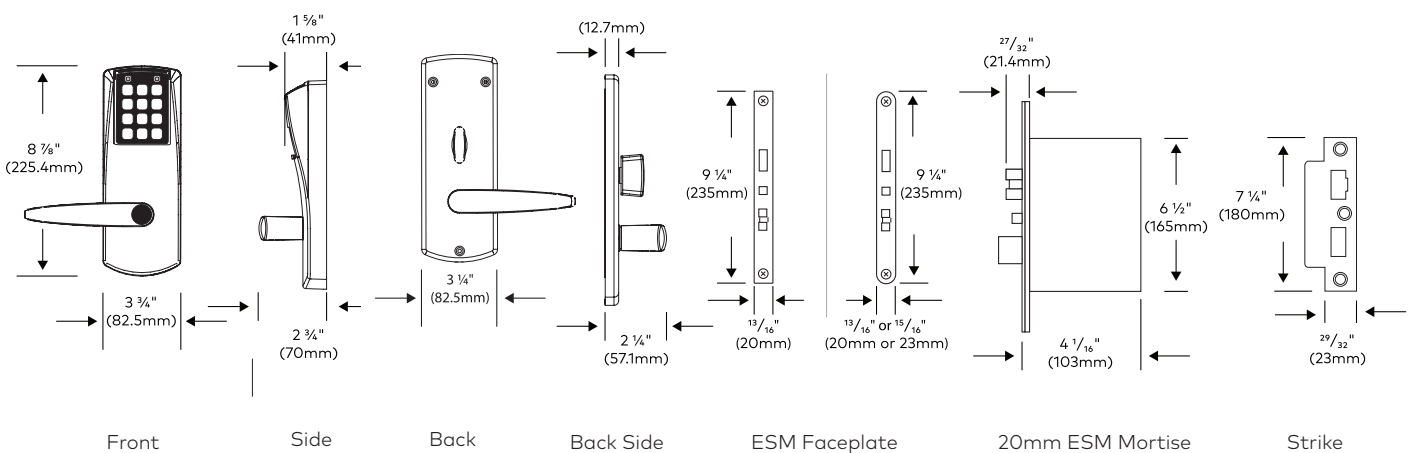
### Oracode 660 1 1/4" Mortise Lock



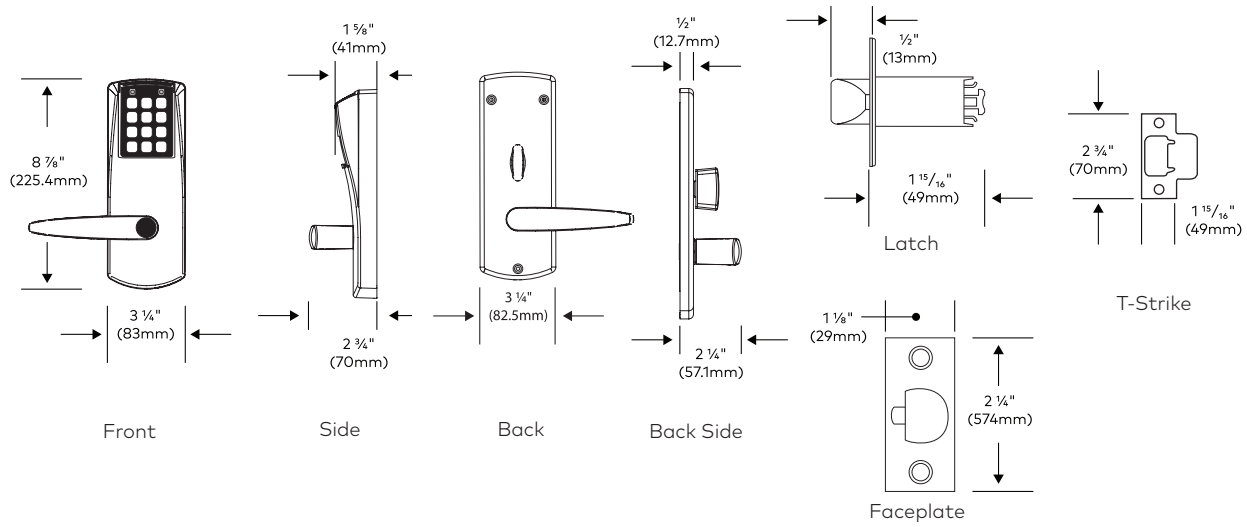
### Oracode 660 1" Mortise Lock



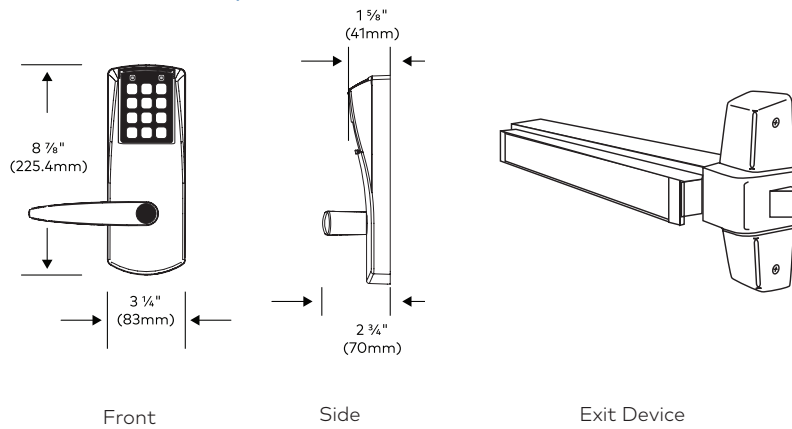
### Oracode 660 European Standard Mortise Lock



## Oracode 660 Cylindrical Lock



## Oracode 660 Exit Device Operation





The Oracode 480i is a deadbolt solution that offers increased security and peace of mind to homeowners, guests, staff, and property managers. Its small, sleek design blends in with most levers and enhances the design of any property. The lock is easy to install and works with the Oracode Live web application.

## Security Features

- No keys or keycards
- Secure, time-sensitive codes
- Audit memory with last 5,000 events stored in lock
- Vandalism and attack resistant
- 1" solid brass deadbolt
- Tamper shutdown protection
- Electronic-code secured website
- Emergency access by mechanical key override (bump-resistant core)

## Simple Retrofit

- Property managers can keep existing locksets and reuse them as needed

## Easy to Install and Maintain

- Installs in minutes in existing deadbolt door prep
- No new holes to drill
- Totally sealed with no exposed electronics
- No software

## Functions

- Six-digit guest codes
- The deadbolt is projected or retracted with a thumbturn
- Multiple user levels

## Finish Options

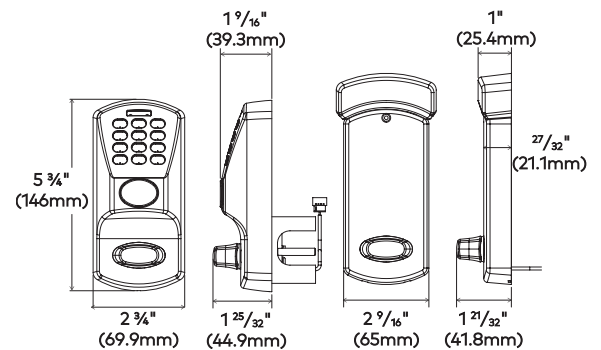
- Oceanfront Satin Chrome
- Oceanfront Oil-rubbed Bronze

## Applications

Ideal for vacation rentals, property management companies, timeshares, corporate housing, or individual apartments and condominiums. The 480i lock replaces existing deadbolts and gives the property management company or owner the ability to grant access remotely.

## Online Oracode 480i

The Oracode 480i is the online solution for any property. Upgrading to Oracode 480i provides property managers and owners additional flexibility, security, and peace of mind. The online technology allows the user to communicate directly with the Oracode 480i lock from anywhere in the world. Connected to Oracode Live, the lock sends notifications through this website, keeping property managers and owners informed in real time of any occurring event.



## Features

Programming Audit Trail	Using Oracode M-Unit (stand-alone) or online (Oracode Live)
Date/Time Stamp	Real time; date and hours/minutes
Time/Parameters	Lock time and set-up parameters are maintained for up to four weeks, facilitating battery changes and lock shipping (stand-alone). Time adjust via wireless link (Oracode Live).
Passage Mode	Set by authorized secure access code
Code Expiry	Code expires at the end of the stay
Access	128 different access levels
Lockout Mode	Set or remove by authorized secure access code
Feedback	Audible and visible indicators
Audit Memory	Last 5,000 events stored in lock Audit Trail is permanently maintained to ensure the highest level of security
Disability Feature	Unlock time is adjustable from 5 to 15 seconds by administrator user level
Power	Three AA batteries with approximately 18 months lifespan

## Owner/Manager Benefits

Flexibility	Remote code generation, extension, or cancellation Up to one million possible codes
Simplicity	No keys, no cards. Eliminates the cost of managing or replacing keys or cards No more late-night meets to replace lost keys Installs in minutes. No software to install.
Interface	The web-based stand-alone and online Oracode Live system can interface with various PMS
Communication with the Lock (Oracode Live)	Receive notifications of lock events that occur in real time, such as Guest First Arrival and Guest Early Checkout. Set up alerts, such as Low Battery or Internet Down. Cancel codes or extend stay remotely. Receive lock communications by e-mail, SMS, or directly in "live events."

## Guests Benefits

Easy Access	Guests do not have to check out, pick up, or drop off keys
Peace of Mind	Guests do not need to remember where they put their keys or access cards

## Certifications and Testing

Fire Rating	Listed for pre-prepared manufactured doors and certified for retrofitting on existing doors by Underwriters Laboratories for use on fire doors having up to a three-hour rating. Evaluated in accordance with UL 10B and UL 10C.
Electronics	FCC Part 15 Class B and CE directive 89/336/EEC compliant
Environmental	-31° F to 151° F (-35° C to 66° C)
Operating Conditions	0% to 85% non-condensing humidity at 86° F (30° C)

## Warranty

Standard Factory Warranty	Two years
Finishes	Oceanfront Satin Chrome Oceanfront Oil-rubbed Bronze

# Oracode 480i

## Deadbolt

### Example



**Build the model number with the desired options**

Model	Description
480i	Deadbolt Lock with Key Override

### Choose One Option from Each Category

Model	Description
480	Unit Lock
484	Demo Lock
Online	Description
W	For 480i Series Online Lock
R	480i i Ready Lock
Locking Device	Description
60	Adjustable Deadbolt, 2 3/8" – 2 3/4"
Keypad	Description
2	Metal keypad
Lever	Description
1	Thumbturn
Override	Description
K	Kaba 1539 6-pin cylinder, Schlage "C" Keyway
D	Core in box keyed differently
Handing	Description
F	(L & R), Left Hand Reverse, Right Hand Reverse (X & Y), field reversible
Version	Description
1	
Door Thickness	Description
0	1 3/8" – 2" (35 mm – 50 mm) For doors greater than 2 1/8" (54 mm), order a thick door kit in Lock Accessories
Finish	Description
U26	Oceanfront Satin Chrome
U13	Oceanfront Oil-rubbed Bronze
Hub	Description
H	Standard Oracode Controller
B	Oracode Smart Controller for use with Oracode/BeHome247 Integrated Solution

## Overview

The Oracode Smart Controller takes property management to the next level with Smart Home Automation. Supporting both ZigBee and Z-Wave wireless communications protocols, the Oracode Smart Controller allows Oracode i-Series locks and other Smart Home devices (such as thermostat, lights, pool and spa controls), to be managed remotely through a single controller unit.

The Oracode access control system integrates with the BeHome247 energy management system, allowing Property Managers to enhance the guest experience by creating a welcoming and comfortable environment.

The ability to manage other connected devices through the Oracode Smart Controller streamlines property operations and saves time and money. When the property is unoccupied, the Oracode Smart Controller allows Property Managers to adjust and monitor connected devices remotely to reduce energy consumption, detect issues or problems, improve security and maximize savings, thereby providing more value for property owners.

## Features & Benefits

- Easy, plug-and-play installation.
- Dedicated ZigBee channel connects only with Oracode i-Series locks, enhancing security and reducing the chance of unauthorized access.
- Allows connection with up to six Oracode i-Series locks per Oracode Smart Controller.
- Ability to simultaneously connect with over 200 Z-Wave devices.
- Provides optional/backup cellular 3G internet access through USB connection port.

## Connectors

- DC Power Jack (12VDC, 1.5A)
- RJ-45 Connector
- External USB Connector

## Dimensions (H x W x D)

- 1.3" x 7.7" x 5.0"
- 34 mm x 196 mm x 127 mm

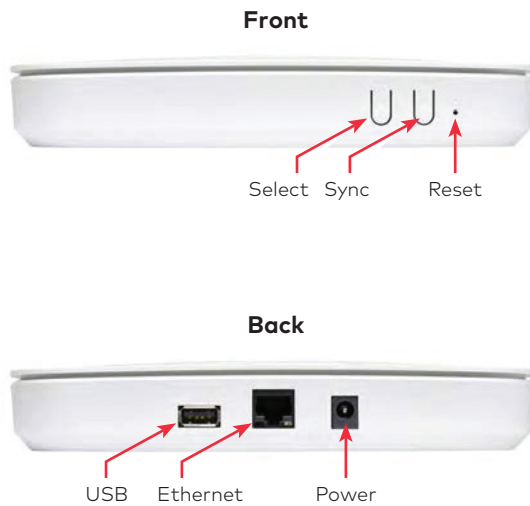
# Be smart. Stay in control.



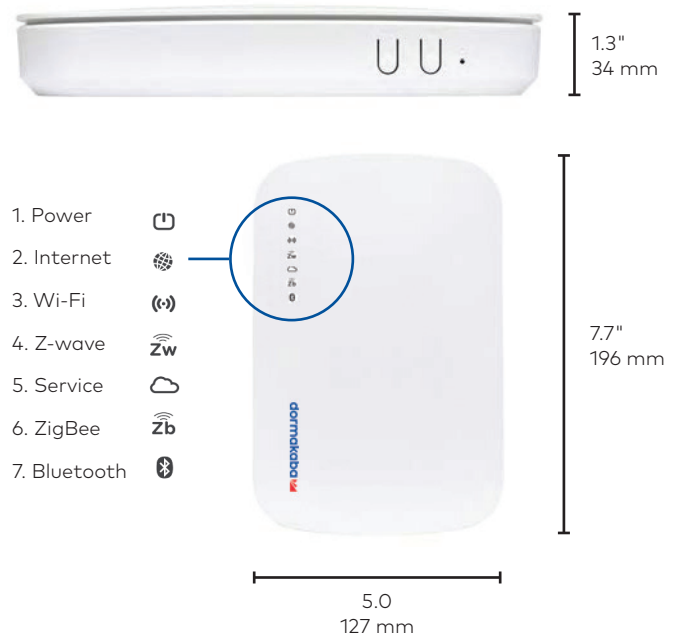
Partners with



## Illustration



## Dimension Diagram



## Network

- **Ethernet**
  - WAN: (10/100/1000 Mbps)
- **Wireless**
  - Wi-Fi: IEEE 802.11 b/g/n and 802.11 a/n/ac
  - ZigBee: Built-in ZigBee on Board
  - Z-Wave: Built-in Z-Wave Module on Board
  - Bluetooth LE: Built-in Bluetooth LE Module on Board

- **LEDs and Buttons**
  - **7 LEDs:** Single-Color LED (Green)
  - **3 Buttons:** Reset, RF Select, RF Sync

- **Compliance**
  - FCC, CE, RoHS
  - UL Listed

## Hardware

- **Processor and Memory**
  - Processor: 880MHz MIPS SoC, Dual-Core
  - NAND Flash: 128MB
  - DDR3: 256MB

- **Power Adapter**
  - Input: 100-240VAC, 50-60Hz
  - Output: 12VDC, 1.5A, Max. 12Watts

- **Connectors**
  - 1 DC Power Jack
  - 1 RJ-45 Connector
  - 1 External USB Connector

- **Antennas**
  - 1 Wi-Fi Internal Antennas
  - 1 Z-Wave Internal Antenna
  - 1 ZigBee Internal Antenna
  - 1 Bluetooth LE Internal Antenna

## Environment

- **Operation**
  - Temperature: 0° - 40°C (32° - 104°F)
  - Humidity: 10% - 80% RH (non-condensing)
- **Storage**
  - Temperature: -20° - 60°C (-4° - 140°F)
  - Humidity: 0% - 90% RH (non-condensing)

## Ordering Information

- **Oracode Smart Controller**
  - Part Number: 051-515201

**What is the Oracode M-Unit?**

The Oracode M-Unit is a hand-held device that provides programming and auditing capabilities. The M-Unit is required for use with Oracode K series locks and is optional for use with Oracode i series locks.

**Core Benefits**

1. Plug and Play  
Does not require additional software or drivers and works just like a USB key.
2. Durable  
Extremely robust and designed to with stand regular wear and tear.
3. Fully Compatible  
Uses the USB mass storage standard supported by Windows® and Apple® operating systems. No driver is required.

**How is the M-Unit synchronized?**

No synchronization or software required, simply drag and drop the file into the appropriate drive to get started.

**How are locks programmed?**

Locks are programmed through infrared communication between the M-Unit and the Oracode locks.

**What is the warranty?**

Two Years

**How is the M-Unit charged?**

The Oracode M-Unit can either be charged when connected to a computer using a USB cable or with a USB cable and adaptor (included in the M-Unit kit).

**What are the part numbers?**

For use with 220-240 volt, order MUNIT-11-120  
For use with 110-120 volt, order MUNIT-11-110

For further information please call toll free, 1.877.468.3555 or visit our website [www.kabalodging.com](http://www.kabalodging.com)  
To check out our online store go to [www.ilcostore.com](http://www.ilcostore.com)



Kaba's M-Unit is a user-friendly portable programming and auditing device.

A Remote Access Controller (RAC) is a device that operates a special access point, such as an elevator, parking entrance or any other door requiring an electric strike or electro-magnetic lock.

The controller box is concealed in a utility space behind a wall or ceiling with a key-locked cover to prevent tampering. The keypad is connected to the controller box that is mounted in a convenient location, such as within a driver's reach at the entrance to a garage or beside an elevator call button. When a user enters a code, the controller (programmed with user access information) grants or denies access according to their privileges. Parking garages can be set up using the RAC so that only authorized users can enter the garage through pedestrian doors (protected by a lock or exit device operator) and use the garage doors.

The controller maintains an audit trail and provides other features, including programmable access times and emergency unlocking of doors when signaled by a fire alarm. In addition, flexible time zones offer greater customization for controlling access to public areas by staff and guests. The RAC is available in two packages the RAC 660G (a low cost, simple solution) and the RAC 660G XT (an extendable total access control solution).

## Control Panel Features

- Fire alarm panel interface
- Power supply in the controller panel
- Programmable access time delay from 1 second to 2 min
- Distance from reader to controller box up to 492 feet (150 m)
- Audit memory of last 1,000 transactions
- Auto-Lock/Unlock Time Zone, Guest Time Zone, Staff Time Zone
- Single relay for individual doors

## Options for RAC 660G XT

- Tamper protected panels
- Panel status indicators – AC power, battery status
- Programming and auditing from up to 100 feet (30 m) from the control panel
- Rechargeable battery back up option, four hours stand-by, fully powered
- Eight (8) relay outputs for elevator applications
- Dual reader option for egress/ingress access control
- Remote Programming Interface

## Certification

- Certified to the UL294 standard
- Certified to the CSA 22.2 No. 205 standard
- Interfaces with fire panels meeting NFPA 101 fire access alarm standard
- Meets FCC and CE requirements

## Power

- Input power: 120VAC, 60Hz (North America) or 230VAC, 50Hz (International)
- Output power: 12 VDC, 0.75 AMP for electric strike or electro-magnetic lock

## Dimensions and Weight

**660G:** 8 ½" h x 7 ¼" w x 2" d (216 h x 184 w x 51 mm d), 3.5 lbs. (1.6 kg)

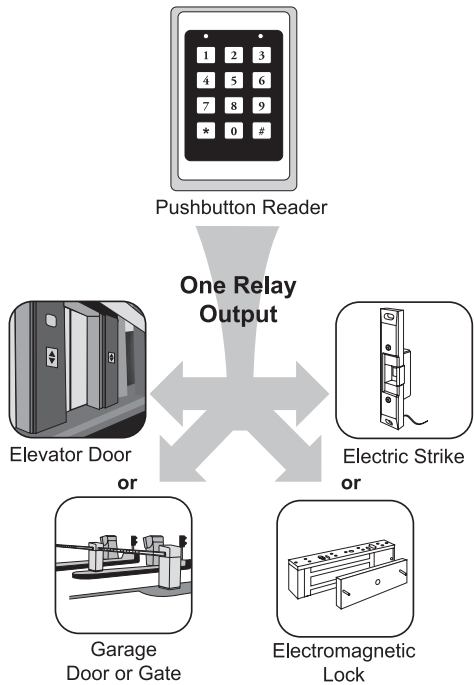
**660G XT:** 13 ½" h x 12 ¾" w x 3 ¼" d (343 h x 314 w x 83 mm d), 14 lbs. (6.4 kg)

**Remote Programming Interface:** 4 ¾" h x 4 ¾" w x 2 ¼" d (106 mm h x 106 mm w x 52 mm d), 1 ¼ lbs. (0.6 kg)

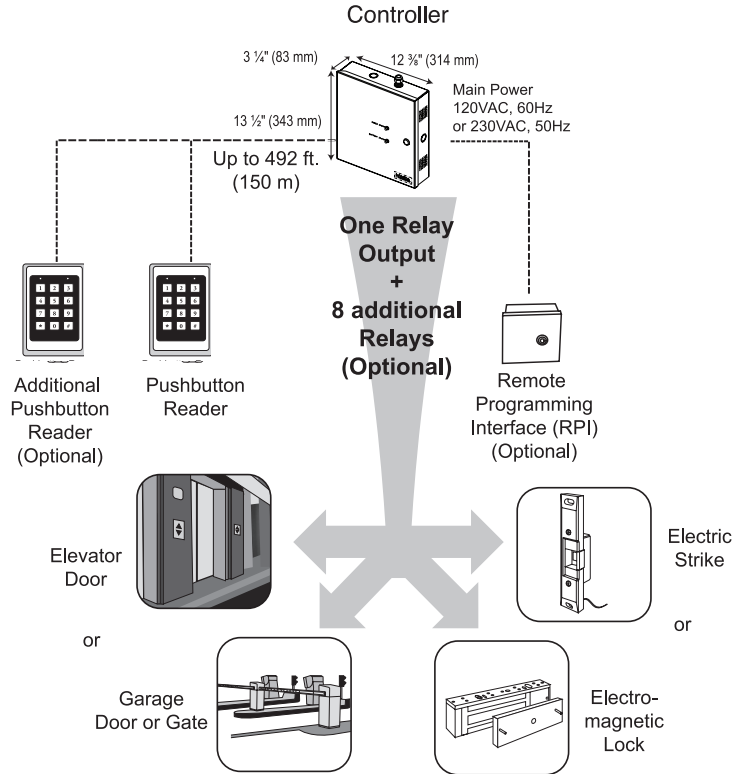
## Environmental Operating Conditions

- The controller box is intended for indoor use
- 32° F to 120° F (0 ° C to 49° C)

## RAC 660G



## RAC 660G XT



### Features

- Single relay output
- Variable access delay
- Power failure 3-day auto-recovery; real time clock (RTC)
- Infrared (IR) serial programming and auditing
- Relay bypassing (passage function)
- Keypad (ingress)
- Unlock delay programmable by dip switches
- Tamper alarm input
- Fire alarm input
- Power status LEDs feedback
- Battery back-up
- Keypad (egress)
- Remote unlock input
- Request to exit (Rex) input

### RAC 660G

- Standard
- Standard
- Standard
- Standard
- Standard
- Standard
- Standard
- Standard
- Standard
- Standard
- N/A
- Standard
- N/A
- N/A
- N/A
- Optional
- Optional

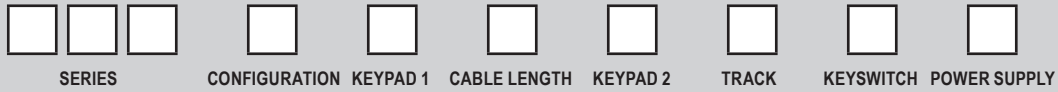
### RAC660G XT

- Standard
- Standard
- Standard
- Standard
- Standard
- Standard
- Standard
- Standard
- Standard
- Standard
- Standard
- Standard
- Standard
- Optional
- Optional
- Optional
- Optional



# Remote Access Controller 660G

## Example



## Build the model number with the desired options

Series	Description
C62	Remote Access Controller 660G

## Choose One Option from Each Category

Series	Description
C62	Remote Access Controller 660G
Configuration	Description
S	Single Keypad
Keypad 1	Description
2	2 x 6
3	3 x 4
Cable Length	Description
A	15 ft. (Standard)
B	25 ft.
C	50 ft.
D	75 ft.
E	100 ft.
Keypad 2	Description
N	None Available (only on 660G XT)
Track	Description
N	None
Keyswitch	Description
N	None
Power Supply	Description
1	North America 126-511910
2	International 126-511896

**Example**

<input type="checkbox"/>	<input type="checkbox"/>	<input type="checkbox"/>	<input type="checkbox"/>	<input type="checkbox"/>	<input type="checkbox"/>	<input type="checkbox"/>	<input type="checkbox"/>	<input type="checkbox"/>	<input type="checkbox"/>	<input type="checkbox"/>	<input type="checkbox"/>
SERIES	CONFIGURATION	KEYPAD 1	CABLE LENGTH	KEYPAD 2	TRACK	KEYSWITCH	POWER SUPPLY	BATTERY BACKUP	REMOTE PROGRAMMING INTERFACE	RELAY EXPANSION	

**Build the model number with the desired options**

Series	Description
C63	Remote Access Controller 660G XT

**Choose One Option from Each Category**

<b>Series</b>	<b>Description</b>
C63	Remote Access Controller 660G XT
<b>Configuration</b>	<b>Description</b>
D	Two keypads ready
<b>Keypad 1</b>	<b>Description</b>
2	2 x 6
3	3 x 4
<b>Cable Length</b>	<b>Description</b>
A	15 ft. (Standard)
B	25 ft.
C	50 ft.
D	75 ft.
E	100 ft.
<b>Keypad 2</b>	<b>Description</b>
2	2 x 6
3	3 x 4
N	None
<b>Track</b>	<b>Description</b>
N	None
<b>Keyswitch</b>	<b>Description</b>
N	None
<b>Power Supply</b>	<b>Description</b>
1	North America 126-511910
2	International 126-511896
<b>Battery Backup</b>	<b>Description</b>
N	None optional
B	With battery
P	Battery ready (battery not included)
<b>Remote Programming Interface</b>	<b>Description</b>
N	None
<b>Relay Expansion</b>	<b>Description</b>
N	None

# Lock Accessories

## Decorative Plates

### Decorative Plates Compatible with 660 Series

Plated Cold Rolled Steel, Solid Brass, Stainless Steel.

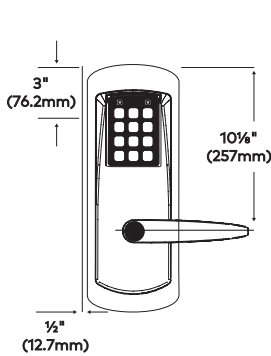
Mounting screws and washers included where applicable. All plates are 1/32" (0.8 mm) thick. Compatible with mortise (ASM, ESM) and cylindrical lock.

Narrow 14" (356 mm) X 3 1/4" (82.5 mm)			
Location	Finish	Plate Number	Availability
Indoor/Outdoor	Stainless Steel	061-511461-630 (long)	Stock
Indoor/Outdoor	Oil-rubbed Bronze	061-511461-743	Stock
Standard 14" (356 mm) X 4 5/8" (117 mm)			
Location	Finish	Plate Number	Availability
Indoor/Outdoor	Stainless Steel	061-513071-630	Stock
Indoor/Outdoor	PVD Satin Brass	061-513071-906	Stock
Long 17 1/2" (445 mm) X 4 5/8" (117 mm)			
Location	Finish	Plate Number	Availability
Indoor	Satin Brass	062-513073-606	Stock
Indoor/Outdoor	Stainless Steel	062-513073-630	Stock
Indoor/Outdoor	PVD Satin Brass	062-513073-906	Stock

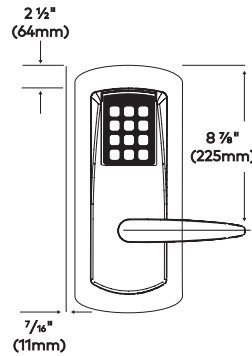
**\* Decorative plates can only be used on the front housing for Exit Device Operator Model 630**

**STOCK:** Standard stock item. Three weeks lead time might apply if you order more than 200 of each item.

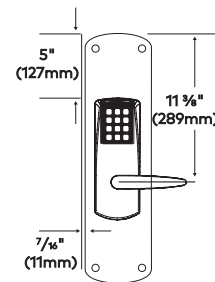
**CUSTOM:** Four weeks lead time might apply. Must validate price for each order before quoting customer.



Narrow



Standard



Long

### Decorative Plates Compatible with 660 Series

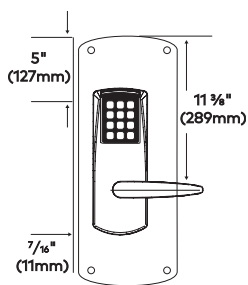
Plated Cold Rolled Steel, Solid Brass, Stainless Steel.

Mounting screws and washers included where applicable. All plates are 1/32" (0.8 mm) thick. Compatible with mortise (ASM, ESM) and cylindrical lock.

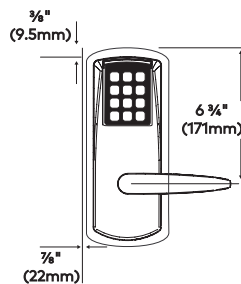
Long & Wide 17½" (445 mm) X 6⅞" (175 mm)			
Location	Finish	Plate Number	Availability
Indoor Left Hand	Satin Brass	062-513074-L606	Stock
Indoor Right Hand	Satin Brass	062-513074-R606	Stock
In/Outdoor Left Hand	Stainless Steel	062-513074-L630	Stock
In/Outdoor Right Hand	Stainless Steel	062-513074-R630	Stock
In/Outdoor Left Hand	PVD Satin Brass	062-513074-L906	Custom
In/Outdoor Right Hand	PVD Satin Brass	062-513074-R906	Custom
Retrofit Plate 10 1/16" (256 mm) X 3 3/4" (95 mm). Suggested for System 700 Lock retrofit.			
Location	Finish	Plate Number	Availability
Indoor/Outdoor	Stainless Steel	061-513072-630	Stock
Indoor/Outdoor	PVD Black	061-513072-922	Stock
Indoor/Outdoor	PVD Satin Brass	061-513072-906	Stock
Retrofit Plate 10¼" (260 mm) X 3¼" (82.5 mm)			
Location	Finish	Plate Number	Availability
Indoor	Stainless Steel	061-511460-630	Stock
Wrap 1¾" (44 mm) X 15 1/16" (399 mm) X 5½" (140 mm). Standard (AMM) Mortise 1¼" face plate.			
Location	Finish	Plate Number	Availability
Indoor	Satin Brass	062-513075-906	Stock
Indoor/Outdoor	Stainless Steel	062-513075-630	Stock
Wrap 1⅝" (35 mm) X 15½" (394 mm) X 5½" (140 mm). Standard (ASM) Mortise 1" face plate.			
Location	Finish	Plate Number	Availability
Indoor	Satin Brass	062-510206-606	Custom
Indoor/Outdoor	Stainless Steel	062-510206-630	Custom
Wrap 1¾" Cylindrical, 2¾" Backset		061-513922-605	Stock
Wrap 1¾" Cylindrical, 2¾" Backset		061-513922-630	Stock
Wrap 1¾" Cylindrical, 2⅝" Backset		061-514227-630	Stock

**STOCK:** Standard stock item. Three weeks lead time might apply if you order more than 200 of each item.

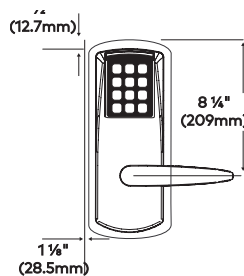
**CUSTOM:** Four weeks lead time might apply. Must validate price for each order before quoting customer.



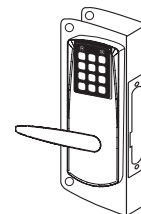
Long and Wide



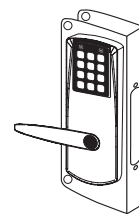
Retrofit Plate



Retrofit Plate



Wrap Plate



Wrap Plate

# Lock Accessories

## Strikes

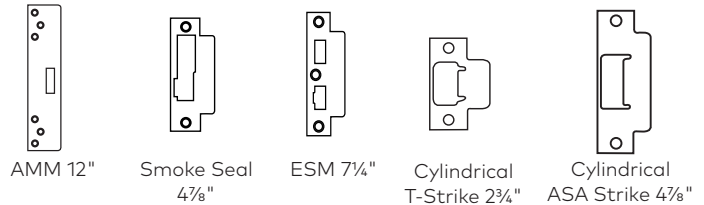
### Standard Mortise Strike

All strikes include mounting screws

For strikes only, omit the "K" from the product number

Left Hand Reverse Door requires Right Hand Strike

Right Hand Reverse Door requires Left Hand Strike

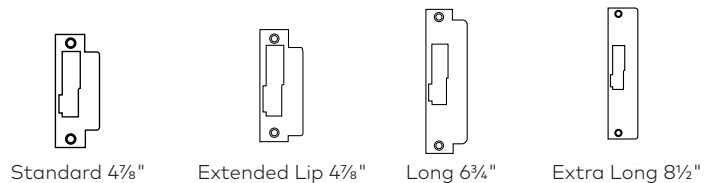


AMM Strike	Finish	Part Number
AMM 12" (305 mm) Dust box not included	Satin Brass	041-512197-606K (LH)
AMM 12" (305 mm) Dust box not included	Stainless Steel	041-512197-630K (RH)
AMM 12" (305 mm) Dust box not included	Satin Brass	041-512198-606K (LH)
AMM 12" (305 mm) Dust box not included	Stainless Steel	041-512198-630K (RH)
Smoke Seal 4 7/8" (124 mm) Dust Box not included, Left Hand	Satin Brass	041-508275-606K
Smoke Seal 4 7/8" (124 mm) Dust Box not included, Right Hand	Satin Brass	041-508276-606K
Smoke Seal 4 7/8" (124 mm) Dust Box not included, Left Hand	Stainless Steel	041-508275-630K
Smoke Seal 4 7/8" (124 mm) Dust Box not included, Right Hand	Stainless Steel	041-508276-630K
ESM Mortise Strike		
ESM 7 1/4" (180 mm) with deadbolt, Universal (Reversible)	Satin Brass	041-510141-606K
ESM 7 1/4" (180 mm) with deadbolt, Universal (Reversible)	Stainless Steel	041-510141-630K
Cylindrical Strike		
Strike 2 3/4" (70 mm) Dust box not included, T-Strike	Satin Brass	032-512389-606
Strike 2 3/4" (70 mm) Dust box not included, T-Strike	Satin Chrome	032-512389-626
4 7/8" Strike (124 mm) Dust box not included, ASA	Satin Brass	204119-606-K
4 7/8" Strike (124 mm) Dust box not included, ASA	Satin Chrome	204119-626-K

Finishes to match locks.

All strikes include mounting screws

For strikes only, omit the "K" from the product number



Standard 4 7/8" Strike	Finish	Part Number
*Standard 4 7/8" (124 mm) Left Hand	Satin Brass	504131-606-K
*Standard 4 7/8" (124 mm) Right Hand	Satin Brass	504132-606-K
*Standard 4 7/8" (124 mm) Left Hand	Stainless Steel	504131-630-K
*Standard 4 7/8" (124 mm) Right Hand	Stainless Steel	504132-630-K
Extended Lip 4 7/8" Strike		
Extended Lip 4 7/8" (124 mm) Left Hand	Satin Brass	502815-606-K
Extended Lip 4 7/8" (124 mm) Right Hand	Satin Brass	502816-606-K
Extended Lip 4 7/8" (124 mm) Left Hand	Stainless Steel	502815-630-K
Extended Lip 4 7/8" (124 mm) Right Hand	Stainless Steel	502816-630-K
Long 6 3/4" Strike		
Long 6 3/4" (171 mm) Left Hand	Satin Brass	502780-606-K
Long 6 3/4" (171 mm) Right Hand	Satin Brass	502781-606-K
Long 6 3/4" (171 mm) Left Hand	Stainless Steel	502780-630-K
Long 6 3/4" (171 mm) Right Hand	Stainless Steel	502781-630-K
Extra Long 8 1/2" Strike		
Extra Long 8 1/2" (216 mm) Right Hand	Satin Brass	506102-606-K
Extra Long 8 1/2" (216 mm) Left Hand	Satin Brass	506103-606-K
Extra Long 8 1/2" (216 mm) Right Hand	Stainless Steel	506102-630-K
Extra Long 8 1/2" (216 mm) Left Hand	Stainless Steel	506103-630-K



### Door Filler Plates

Description		Part Number
2¾" x 1⅞" (70 x 29 mm)	Prime Coat Steel	061-507858
2¼" x 1⅞" (57 x 24 mm)	Prime Coat Steel	061-507857
2¼" x 1⅞" (57 x 29 mm)	Brass Plated Steel	061-507856



### Hole Filler Plates

Description		Part Number
2⅜" (60 mm) Diameter	Silver Coated	061-507860
2⅜" (60 mm) Diameter	Brass Plated Steel	061-507859



### Deadbolt Wrap-Around Plate

Description		Part Number
Stainless Steel	Stainless Steel	061-507862

### Latch Extension (only for cylindrical lock)

For 5" (127 mm) backset (without Kick-Off feature)		118-511933
For 5" (127 mm) backset (without Kick-Off feature) (with instructions)		062-511901

# Lock Accessories

## Miscellaneous Compatible with Oracode 660 Series

Description	Part Number
Outdoor Kit Includes: Outside housing gasket, Stainless Steel battery holder screw	062-510180
<b>ADA Thumbturn Adapter – Black Finish</b> Suggested for handicap adapted rooms	062-510211-622
<b>ESM Face Plates</b>	
1 <sup>3</sup> / <sub>16</sub> " (20 mm) round faceplate	
With deadbolt cutout	128/508593-DXXX
Without deadbolt cutout	128/508593-OXXX
2 <sup>9</sup> / <sub>32</sub> " (23 mm) round faceplate	
With deadbolt cutout	128/508595-DXXX
Without deadbolt cutout	128/508595-OXXX
1 <sup>3</sup> / <sub>16</sub> " (20 mm) square faceplate	
With deadbolt cutout	128/508594-DXXX
Without deadbolt cutout	128/508594-OXXX
Replace XXX by 626 (Satin Chrome) or 606 (Satin Brass)	
<b>Thick Door Kit (660)</b> Includes: (3) mounting screws, (1) lock lever spindle and (1) thumbturn spindle For door thickness 2 <sup>1</sup> / <sub>2</sub> " - 3 <sup>3</sup> / <sub>4</sub> " (66 mm-95 mm) Replace XXX by 606 for Satin Brass or 626 for Satin Chrome	062-512868-xxx
<b>Torx Bit (T-15)</b> For battery holder screw	138-510294
<b>Mortise Stabilizer Bracket</b>	
Hollow Metal Door 1 <sup>1</sup> / <sub>4</sub> " (31 mm)	50567701045
Hollow Metal Door 1" (25 mm)	505677101045
<b>Deluxe Screw Cover (Set for two (2) locks)</b> Includes: screw, washer, snap screw retaining ring, snap screw cap	
<b>Chrome</b>	062-510852-CR
<b>Brass</b>	062-510852-BR
For standard door thickness only	
<b>ASM Reverse Handing Tool</b> For use when changing the handing of reversible ASM (set of 2)	027-510382-K
<b>Tool to Remove 660 Lever</b> For 660 Electronic and key override	138-510576
<b>Spare Parts Box for Oracode Lock with Mechanical Override</b>	
Long Lever	062-511010A3XXX
Short Lever	062-511010A4XXX
Includes: Spindle (2), turn knob spindle (2), mounting screw (6), battery holder screw (5), battery holder and batteries (3), Allen key 1/8", tool to remove outside lever (1), springs (8), Torx bit, spanner bit, outside Levers (2), Caps (4), Plugs for "K" cores (4) ASM Reverse Handing Tool (1) Replace XXX by 626 (Satin Chrome) or 606 (Satin Brass)	

### Drill Plates

Description	Part Number
<b>Oracode 660</b> Set of drilling plates ASM, ESM Right and Left Hand Used as Replacement Part for the installation jig below	138-510192

### Installation Jig

Description	Part Number
<b>Oracode 660</b> Steel Installation Jig equipped with drill plate for ASM	138-510190
<b>Oracode 660</b> Steel Installation Jig equipped with drill plate for ESM	138-510191
<b>Oracode 660</b> Light Duty Jig Includes: Drill plate for System 660 Lock Retrofit (ASM)	138-510193

**Wood Mount for Lock All wooden mounts are pre-cut and assembled.**

Description	Part Number
Oracode 660 ASM 1¼"	050-514159-5
Oracode 660 ESM 20 mm	050-514159-4
Oracode 660 Cylindrical	050-514159-6
Oracode 460	050-514159-8

**Oracode 660K with KIL – Lock Demo Wood Stand, Override: Lori K-I-K core with entry key**

Description	Finish	Lever	Part Number
ASM 1¼"	Oceanfront Satin Chrome	Long	6641021KR10-U26
ASM 1¼"	Oceanfront Oil-rubbed Bronze	Long	6641021KR10-U13
Cylindrical: 2¾"	Satin Chrome	Long	6645021KR10-626

**Oracode 660i with KIL – Lock Demo Wood Stand, Override: Lori K-I-K core with entry key. Includes Oracode Smart Controller.**

Description	Finish	Lever	Part Number
ASM 1¼"	Oceanfront Satin Chrome	Long	664W1021KR10-U26B
Cylindrical: 2¾"	Oceanfront Satin Chrome	Long	664W5021KF10-U26B

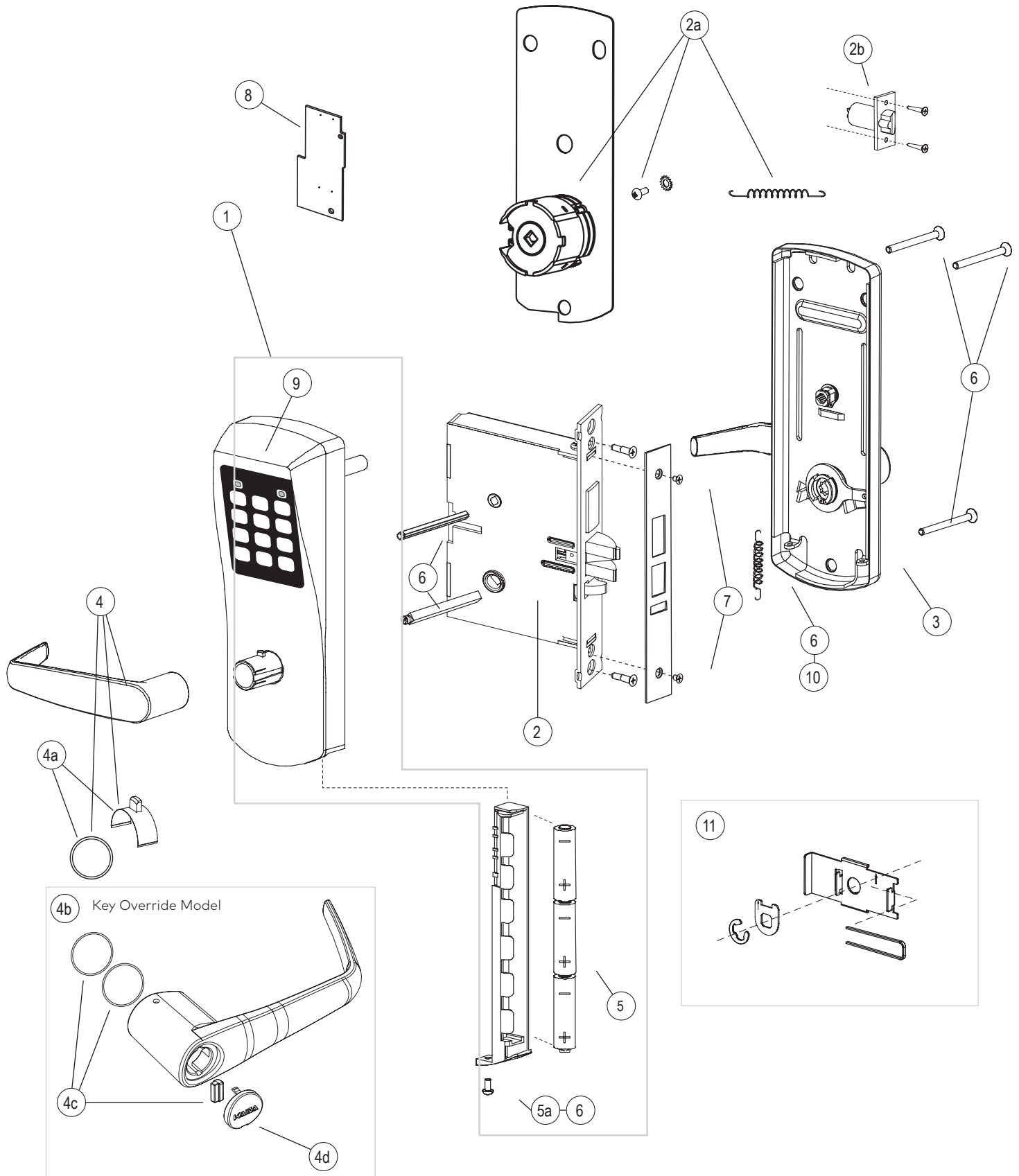
**Oracode 480i with KIL – Lock Demo Wood Stand, Override: Lori K-I-K core with entry key. Includes Oracode Smart Controller.**

Description	Finish	Part Number
Deadbolt	Oceanfront Oil-rubbed Bronze	484W6021KF10+U13B
Deadbolt	Oceanfront Satin Chrome	484W6021KF10+U26B



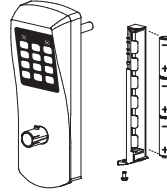
# 660 Lock Replacement Parts

See pages 30-34 for product descriptions and ordering numbers



**1 Outside Lock Housing**

Includes: Complete front housing, battery holder, alkaline batteries, and battery screw.



**Example**



**Build the model number with the desired options**

Series	Description
F66	Outside Lock Housing

**Choose One Option from Each Category**

Lock Type	Description
F66	

Keypad	Description
--------	-------------

2	Metal
Lever	Description
0	None
1	Long
2	Short

Override	Description
----------	-------------

K	Key-in-knob
0	
1	
C	Common Door
0	
N	
S	Storeroom Lock

Model	Description
-------	-------------

-	New standard model
Z	Refurbished (if available in inventory)

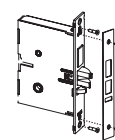
Finish	Description
--------	-------------

U06	Oceanfront Satin Brass
U26	Oceanfront Satin Chrome
U13	Oceanfront Oil-rubbed Bronze

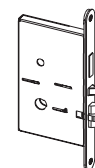
# 660 Lock Replacement Parts

## 2 Mortise

Includes: Mounting screws, faceplate, faceplate screws, (strike not included)



ASM Mortise



ESM Mortise

**Example**

M 7 6 -     1 -

MODEL LATCH TYPE FACEPLATE DEADBOLT HANDING FINISH REFURBISHED

**Build the model number with the desired options**

Series	Description
M76	Mortise

### Choose One Option from Each Category

Model	Description
M76	

Latch Type	Description
A	ASM Mortise
E	ESM Mortise

Faceplate	Description
1	1¼" (32 mm), reversible handing (ASM mortise only)
2	1" (25 mm), no reversible handing (ASM mortise only)
0	None (see lock accessories page for ordering)
3	Round 20 mm (ESM mortise only)
4	Square 20 mm (ESM mortise only)
5	Round 23 mm (ESM mortise only)

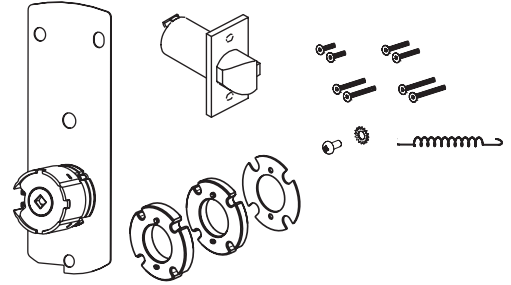
Deadbolt	Description
D	With Deadbolt
K	Without Deadbolt, With Kickoff
T	Auto-deadbolt (ASM mortise only)

Handing	Description
L	Left or Right Hand Reverse
R	Right or Left Hand Reverse
F	Dual Handed (L & R), Left Hand Reverse, Right Hand Reverse (X & Y)

Finish	Description
U06	Oceanfront Satin Brass
U26	Oceanfront Satin Chrome
U13	Oceanfront Oil-rubbed Bronze
000	Faceplate not included (ESM only)

Refurbished	Description
2	If Available

- 2a **Cylindrical Drive and Latch**  
Includes: Cylindrical drive, latch, spacer screws, spacer and gasket for different door thicknesses.
- 2b Spring and storeroom function locking screw and washer for inside housing.



**Example**

<input type="checkbox"/>	<input type="checkbox"/>	<input type="checkbox"/>	/	<input type="checkbox"/>	<input type="checkbox"/>	<input type="checkbox"/>	<input type="checkbox"/>	<input type="checkbox"/>	<input type="checkbox"/>	<input type="checkbox"/>	<input type="checkbox"/>
LOCK TYPE				LATCH	HANDING	BACKSET	N	-	FINISH-LATCH		

**Build the model number with the desired options**

Series	Description
C76	Cylindrical Drive and Latch

### Choose One Option from Each Category

Lock Type	Description
C76	

Latch	Description
0	No latch – 2¾" and 2⅜" backset
1	Standard – ½" (13 mm), 2 ¾" (70 mm) backset
2	Special – ½" (13 mm), 2 ⅜" (60 mm) backset (Not UL Rated)

Handing	Description
0	Dual handed, field reversible

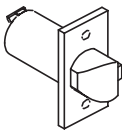
Backset	Description
1	2 ¾" (60 mm)
2	2 ⅜" (70 mm)

N	Description
N	
-	

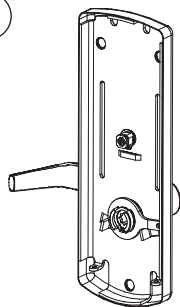
Finish	Description
U06	Oceanfront Satin Brass
U26	Oceanfront Satin Chrome
U13	Oceanfront Oil-rubbed Bronze

# 660 Lock Replacement Parts

2b

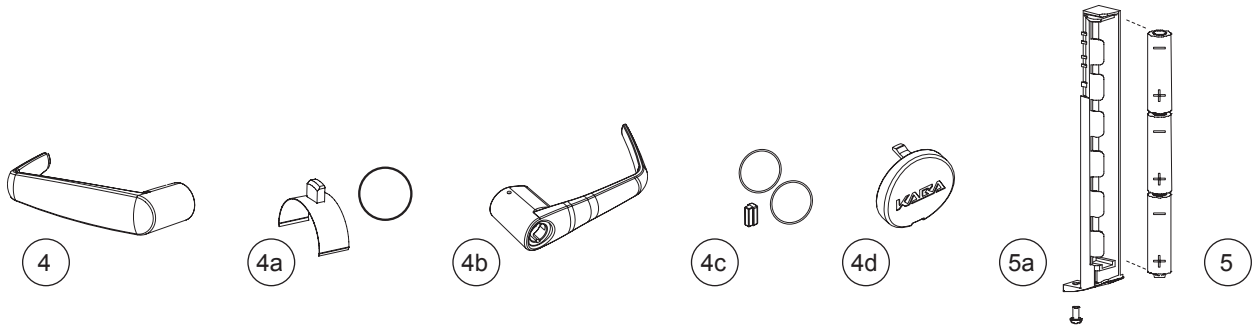


3



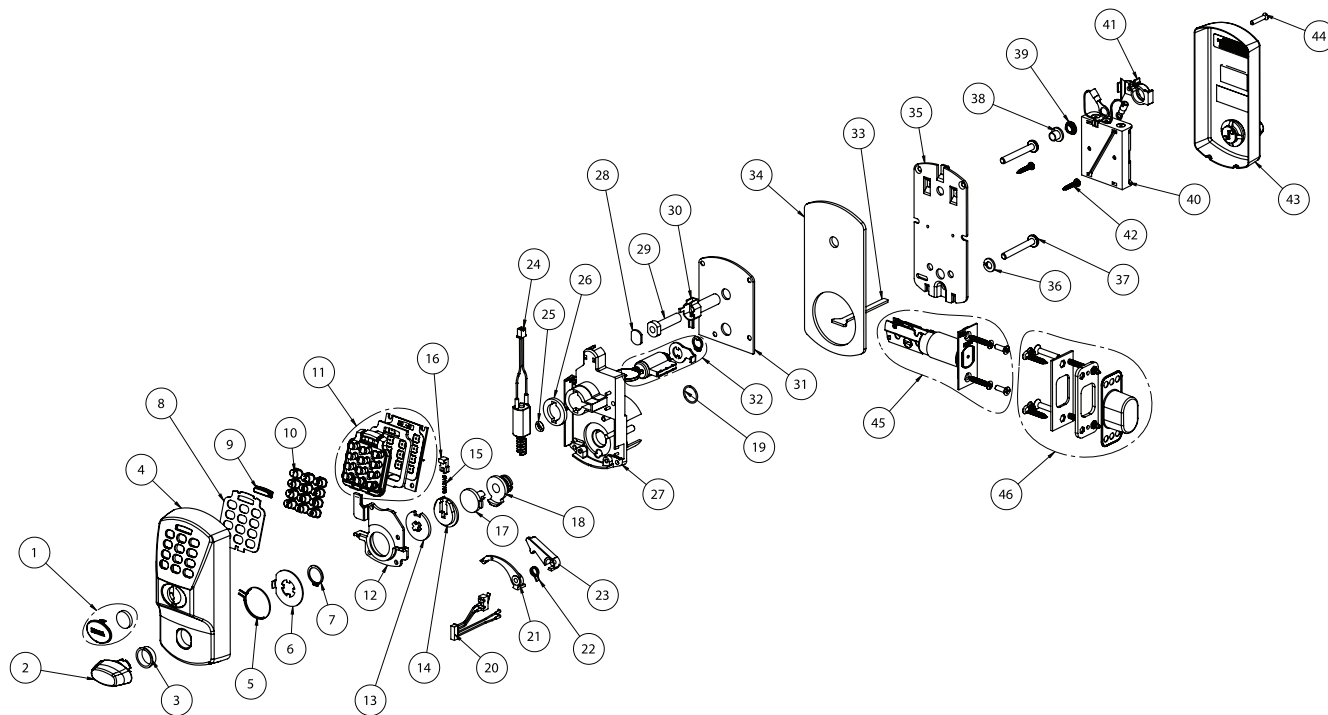
Item	Description	Part Number
<b>Latch</b>		
	1/2" (13 mm) 2 3/4" (70 mm) backset	032-512392-XXX
	1/2" (13 mm) 2 3/8" (60 mm) backset (not UL fire rated)	032-512391-XXX
Replace XXX by finish: Satin Brass (606), Satin Chrome (626).		
<b>Inside Lock Housing for Mortise Version</b>		
	Trim Plate with Long Lever	B76/P1EN10-XXX
	Trim Plate with Short Lever	B76/P2EN10-XXX
	Trim Plate with Knob	
	Inside Lock Housing for Auto-deadbolt/ Mortise version	B76/T1Ex10-XXX (R or L)
	Inside Lock Housing for Auto-deadbolt/ Mortise version	B76/T2Ex10-XXX (R or L)
<b>Inside Lock Housing for Cylindrical Version</b>		
	Trim Plate with Long Lever & Privacy / Office mechanism	B76/C1EN10-XXX
	Trim Plate with Short Lever & Privacy / Office mechanism	B76/C2EN10-XXX
	Trim Plate with Knob	

Replace XXX by finish. (Satin Brass (606), Satin Chrome (626)  
 Add a Z at the end of finish if a refurbished housing is required (if available in inventory)



	Item	Description	Part Number
4	Outside Lever	Long	062-510983-1XXX
	Outside Lever	Short	062-510983-2XXX
Includes: Lever, catch assembly and nylon bearing. Replace XXX by desired finish.			
4a	Catch Assembly and Nylon Bearing Pack (for Electronic overrides) (10 / pk)		062-510510-K
4b	Outside Lever	Long	062-510783-XXX
	Outside Lever	Short	062-510908-XXX
Includes: Lever, nylon bearing, cylinder plug, spring washer, Kaba cap			
4c	Cylinder Plug, nylon bearing and spring washer pack, K Lever Lock		062-511446
4d	Cap (10/pack)	Black Kaba Logo	062-510804-2
5a	Battery Holder	Includes: (3) battery holder, Torx screws, no batteries	118-509978-K
5	Batteries	9 Alkaline AA batteries	132-505601-K
	Spanner Screw for Higher Security	Includes: 3 Spanner screws, Hex bit	062-511915
	Battery Holder Screw Pack	Spanner (10 / pack)	810-510182-K
	Battery Holder Screw Pack	Tork (10 / pack)	810-511898-K
	<b>Hardware Bag (Screws and Spindles)</b>		
Includes: Thumbturn (hex) spindle, Square spindle, Torx-head battery screw, compression spring (1) 1 lever extension spring, 3 mounting screws (10 – 24, 1/8" Hex head)			
		Standard Door Thickness 1 3/8" – 2 1/2" (35 mm – 66 mm)	062-510261-A626
		Thick Door > 2 1/2" – 3 3/4" (67 mm - 95 mm) Includes 3 mounting screws (1/8" Hex head)	062-510189-xxxK
	Washer Kit 660/760/790/79M/RT/E-Plex "E" Outside Levers (parts for 10 levers)		062-515218-E
	Washer Kit 660/760/790/79M/RT/E-Plex "K" Outside Levers		062-515218-K
Note: Thin, Thick and wavy washers to improve fit.			
	Replace XXX by desired finishes: Satin Brass (606), Satin Chrome (626)		H66-CNKN20-606
	For Oracode 662 with privacy feature use Hardware bag (screws and spindles)		H66-CNKN20-626

# 460 Lock Replacement Parts



ITEM NUMBER	DESCRIPTION	PART NUMBER
1	PROTECTIVE CAP KIT 460K BLACK	062-514077-BK
	PROTECTIVE CAP KIT 460K GOLD	062-514077-GD
	PROTECTIVE CAP KIT 460K SILVER	062-514077-SR
2	OUTSIDE TURN KNOB oceanfront SATIN CHROME	KBEDBCO0040-626
	OUTSIDE TURN KNOB oceanfront OIL-RUBBED BRONZE	KBEDBCO0040-742
3	BUSHING	KB-EDBCO-0050
4	OUTSIDE HOUSING oceanfront SATIN CHROME	KBEDBCO0010-626
	OUTSIDE HOUSING oceanfront OIL-RUBBED BRONZE	KBEDBCO0010-742
5	STOP PLATE SPRING	KB-EDBCO-0080
6	STOP PLATE	KB-EDBCO-0060
7	RETAINING RING	KB-EDBCO-0070
8	GASKET BUTTON	KB-EDBCO-0260
9	LED COVER BUTTON	KB-EDBCO-0480
10	BUTTON CAP KIT 460	062-514890
11	460 PCB FIELD REPLACEMENT KIT	064-514238
12	TOP PLATE	KB-EDBCO-0150
13	DRIVE HUB	KB-EDBCO-0120
14	CLUTCH DISK	KB-EDBCO-0110
15	COMPRESSION SPRING	KB-EDBCO-0140
16	ENGAGIN PIECE	KB-EDBCO-0130
17	DETECTION HUB	KB-EDBCO-0100
18	DRIVEN HUB	KB-EDBCO-0090
19	PLAIN WIRE RING	KB-EDBCO-0290
20	CLUTCH AND OVERRIDE SWITCH ASSY	KB-EDBCO-A011

ITEM NUMBER	DESCRIPTION	PART NUMBER
21	CLUTCH GEAR	KB-EDBCO-0170
22	CLUTCH SPRING	KB-EDBCO-0180
23	CLUTCH ARM	KB-EDBCO-0160
24	MOTOR AND GASKET ASSY 460	062-514891
25	PUSH ON FASTENER	KB-EDBCO-0380
26	CYLINDER GASKET	KB-EDBCO-0330
27	BACK SUPPORT	KB-EDBCO-0020
28	NYLON WASHER	KB-EDBCO-0250
29	POST 12-24 NC	KB-EDBCO-0240
30	OUTSIDE SLEEVE	KB-EDBCO-0230
31	BACK PLATE	KB-EDBCO-0030
32	CYLINDER CORE ASSY KIT 460K	062-514076
33	TAIL PIECE: DOOR 1 $\frac{3}{8}$ " - 2 $\frac{1}{8}$ " THK	KB-EDBCO-0280-1
	TAIL PIECE: DOOR 2 $\frac{1}{8}$ " - 2 $\frac{1}{2}$ " THK	KB-EDBCO-0280-2
34	WEATHER GASKET KIT 460K	062-514078
35	BACK PLATE	KB-EDBCO-0310
36	SPLIT LOCK WASHER $\frac{1}{4}$ " SCREW	KB-EDBCO-0740
37	MOUNTING SCREW DR THK 1 $\frac{3}{8}$ " - 2"	KB-EDBCO-0350-1
	MOUNTING SCREW DR THK 2 $\frac{1}{8}$ " - 2 $\frac{1}{2}$ "	KB-EDBCO-0350-2
38	INSIDE SLEEVE	KB-EDBCO-0320
39	CONICAL SPRING	KB-EDBCO-0210
40	CELL CASE ASSEMBLY	KB-EDBCO-A008
41	PLASTIC COVER	KB-EDBCO-0520
42	PAN HEAD TAPPING SCREW	KB-EDBCO-0660
43	INSIDE HOUSING COVER ASSY	KBEDBCOA014-605
	INSIDE HOUSING COVER ASSY SATIN CHROME	KBEDBCOA014-626
	INSIDE HOUSING COVER ASSY OIL-RUBBED BRONZE	KBEDBCOA014-844
44	FLAT HD SCREW 6-32 X $\frac{3}{4}$ " (13.05 MM)	KBEDBCO03603605
	FLAT HD SCREW 6-32 X $\frac{3}{4}$ " (13.05 MM) STAINLESS STEEL	KBEDBCO03603630
	FLAT HD SCREW 6-32 X $\frac{3}{4}$ " (13.05 MM) OIL-RUBBED BRONZE	KBEDBCO03603743
45	DEADBOLT LATCH ASSY 460K STAINLESS STEEL	KBEDBCOA006-626
46	STRIKE PLATE KIT 460K STAINLESS STEEL	032-514075-630

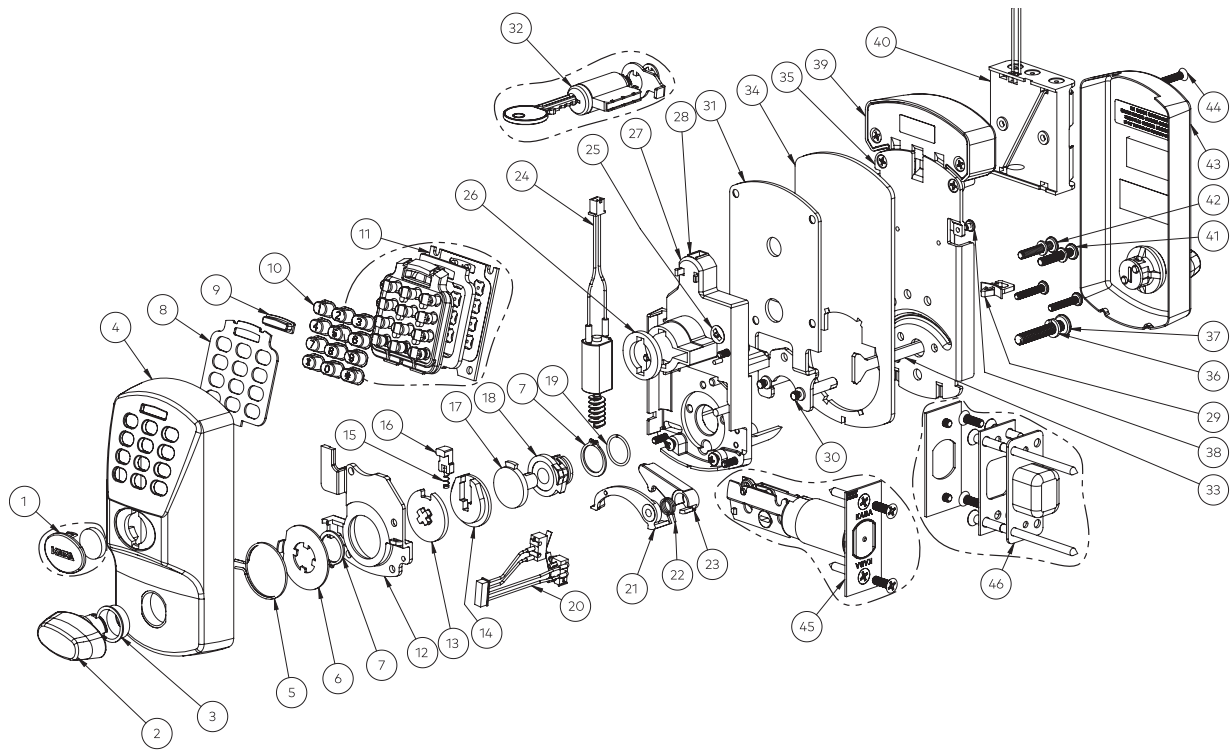


# 460 Lock Replacement Parts

Description		Part Number
Tailpiece Kit 460 2 1/8" – 2 1/2" Door	5 Per Pack	062-514079-1
Tailpiece Kit 460 1 3/8" – 2 1/8" Door	5 Per Pack	062-514079-2
Inside Plate Batt. Assy		118-514190
Inside HSG Cover/Turnknob 460K, Oceanfront Oil-rubbed Bronze		118-512343-CU13
Inside HSG Cover/Turnknob 460K, Oceanfront Satin Chrome		118-512343-CU26
Front Housing 460K Elect. Lock, Oil-rubbed Bronze		KB-EDBCO-A003-613
Front Housing 460K Elect. Lock, Satin Chrome		KB-EDBCO-A003-626

Built in Shop		
Inside Housing For 460 Lock, Oceanfront Oil-rubbed Bronze		B46/P1KN10-U13
Inside Housing For 460 Lock, Oceanfront Satin Chrome		B46/P1KN10-U26
Front Housing Elect. 460K Lock, Oceanfront Oil-rubbed Bronze		F46/21KN10N-U13
Front Housing Elect. 460K Lock, Oceanfront Satin Chrome		F46/21KN10N-U26

# 480i Lock Replacement Parts



NO.	PART NUMBER	QTY.	DESCRIPTION
1	062-514077-BK	1	PROTECTIVE CAP KIT 480K BLACK
2	KB-EDBCO-0040	1	OUTSIDE TURN KNOB
3	KB-EDBCO-0050	1	BUSHING
4	KB-EDBCO-0010	1	OUTSIDE HOUSING
5	KB-EDBCO-0080	1	TORSION SPRING
6	KB-EDBCO-0060	1	STOP PLATE
7	KB-EDBCO-0070	2	RETAINING RING
8	KB-EDBCO-0260	1	BUTTON'S GASKET
9	KB-EDBCO-0480	1	LED COVER BUTTON
10	062-514890	1	BUTTONS CAP KIT 460 - 480
11	064-514238	1	460 - 480 PCB FIELD REPLACEMENT KIT
12	KB-EDBCO-0900	1	TOP PLATE
13	KB-EDBCO-0120	1	DRIVE HUB
14	KB-EDBCO-0110	1	CLUTCH DISK
15	KB-EDBCO-0140	1	COMPRESSION SPRING
16	KB-EDBCO-0130	1	ENGAGING PIECE
17	KB-EDBCO-0100	1	DETECTION HUB
18	KB-EDBCO-0890	1	DRIVEN HUB
19	KB-EDBCO-0290	1	PLAIN WIRE RING
20	KB-EDBCO-A025	1	CLUTCH AND OVERRIDE SWITCHES ASS'Y
21	KB-EDBCO-0170	1	CLUTCH GEAR
22	KB-EDBCO-0180	1	TORSION SPRING
23	KB-EDBCO-0160	1	CLUTCH ARM
24	062-514891	1	MOTOR & GASKET ASS'Y 460 - 480
25	KB-EDBCO-0380	1	PUSH ON FASTENER
26	KB-EDBCO-0330	1	CYLINDER GASKET

# 480i Lock Replacement Parts

27	KB-EDBCO-0880	1	BACK SUPPORT
28	KB-EDBCO-0910	1	PLASTIC JACKET
29	KB-EDBCO-0800	1	WIRE SADDLE
30	KB-EDBCO-0820	2	SCREW POST
31	KB-EDBCO-0810	1	BACK PLATE OUTSIDE HOUSING
32	062-514076	1	CYLINDER CORE ASSY KIT 460 - 480
33	KB-EDBCO-0280	1	TAIL PIECE DOOR 1 3/8" TO 2"
34	062-515744	1	WEATHER GASKET KIT 480
35	KB-EDBCO-0920	1	INSIDE TRIM BACK PLATE
36	KB-EDBCO-0740	1	SPLIT LOCK WASHER, SS, NO. 12
37	KB-EDBCO-0350-3	1	MACHINE SCREW, PAN HEAD, SS, PH #3, 12-24 X 1 1/4"
38	KB-EDBCO-0830	1	MACHINE SCREW, SS 304, PAN HD, PH #1, M3 X 0.5 X 3mm
39	118-514389-V	1	ANTENNA HOLDER ASSY
40	KB-EDBCO-A023	1	CELL CASE ASS'Y 3X AA
41	062-515743	1	SCREW KIT FOR 1 3/8" - 2" THK DOOR
42	062-515742	1	SCREW KIT FOR 2" - 2 1/2" THK DOOR
43	KB-EDBCO-A014	1	INSIDE COVER
44	KB-EDBCO-0360-3	1	MACHINE SCREW, FLAT HEAD, SS 304, PH # 2; 6-32 X 19.05
45	KB-EDBCO-A006-626	1	DEADBOLT LATCH ASS'Y 480K STAINLESS STEEL
46	032-514075-630	1	STRIKE PLATE KIT 480K STAINLESS STEEL

dormakaba Canada, Inc.  
7301 Boul Décarie  
Montréal QC H4P 2G7  
Canada  
1-877-468-3555