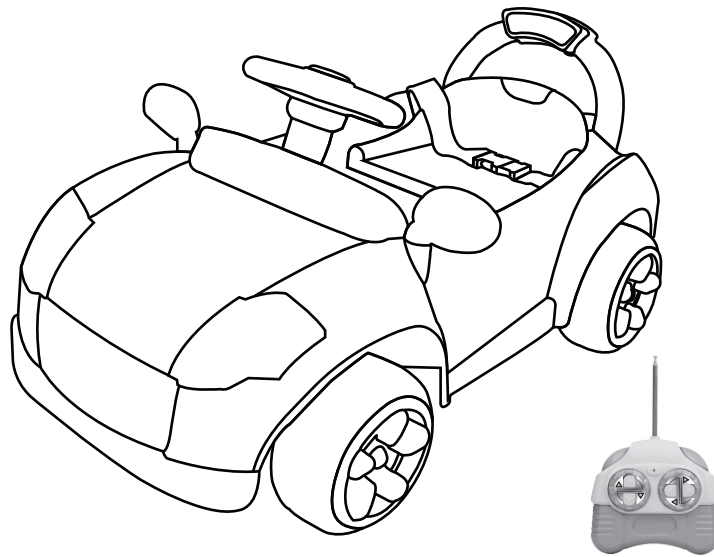


# INSTRUCTION MANUAL

ITEM# 5088R  
MY FIRST CAR



Illustrations are representative only, design and style may vary.

#### KAYA TOYS ENT., LTD LIMITED WARRANTY

This product is warranted against defects in materials and workmanship for a period of 90 days from date of original purchase. Service will be accepted against purchase invoice only. Keep your receipt from the original purchase in case of any warranty claims and service.

Warranty does not cover failures that result from misuse or abuse.

Any questions, help or need for service during warranty period please contact us:

P.O. Box address:

KAYA Toys

P.O. Box 320, Manteno, Illinois 60950

Email.: [Service@kytoys.com](mailto:Service@kytoys.com) (Easy, correctly and directly to manufacturer to handle service)

or call tollfree: 866-781- 2266 Kaya Toys Service Centre

\*\*\*\*\*

Do not return any items to distributor, store, or any sellers or Service center without a pre - approved authorization. They will not accept any returns or reimburse any cost incurred. All returns must be sent pre - paid and customer is responsible for all other related shipping and handling charges.

\*\*\*\*\*

Please carefully read this manual before use and keep for future reference.

# ASSEMBLY INSTRUCTIONS

## WARNING:

Assembly should be done by adults only. Never allow children to play with the small parts or the plastic bag the vehicle is placed in. Injury may occur. Small parts could be a choking hazard! Polybags could be a suffocation hazard to small children. Dispose of these bags in appropriate refuse container.

## TECHNICAL DATA

Speed: 2MPH, 2.5 km/hr

Battery: One 6V4.5AH sealed dry cell battery

Time for charging: 8 – 12 hours after each use

Ages: 2 – 5

Load Max capacity: 55 pounds/ 25kgs.

Charger: Input 120 Volt, depending on local voltage; Output – DC 6V500mA

Life of Battery: Approximately 200 hours, 300 times. Depending on usage.

Working time: About 40 minutes to 90 minutes, depending on rider, road surface and whether battery was fully charged.

Function: Forward, backward, stop, horn sound and engine sound.



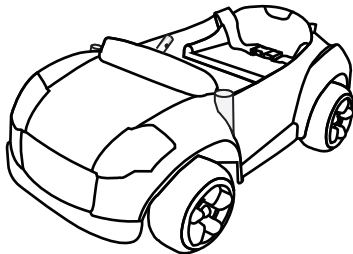
**WARNING:**

ADULT ASSEMBLY REQUIRED!

## IMPORTANT:

To prolong battery life, you must recharge the battery after each use. You must also charge your battery if it has not been used for 30 days or more.

## PARTS LIST



Vehicle Body



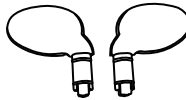
Controller



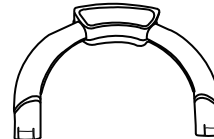
Charger



Steering Wheel  
with nut and bolt



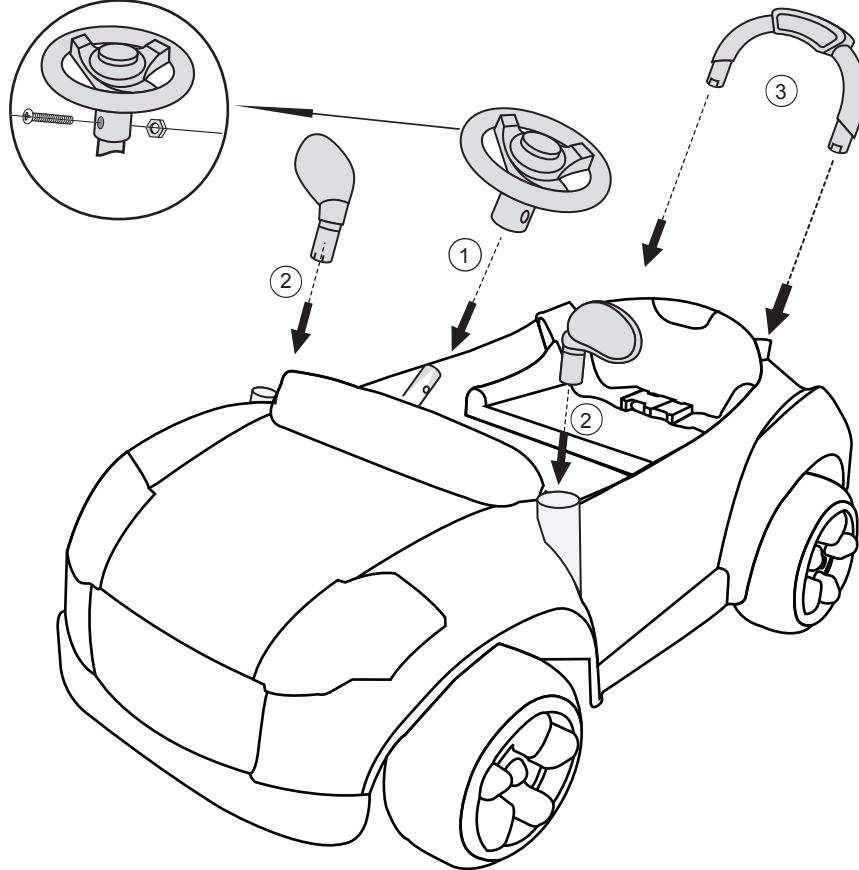
Rear Mirror



Roll Bar

## ASSEMBLY OF VEHICLE

Tools Needed: 1 Phillips head screwdriver ( not included).



### STEP ①

1. Remove the bolt and nut from the steering wheel with screwdriver.
2. Place the steering wheel on the steering rod, align the hole of the steering wheel with the hole of the steering rod. Insert the bolt. Tighten the bolt and tighten the nut securely with a screwdriver.

### STEP ②

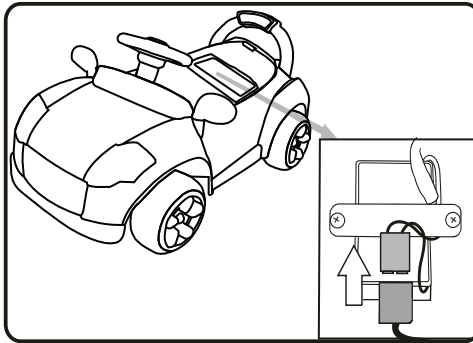
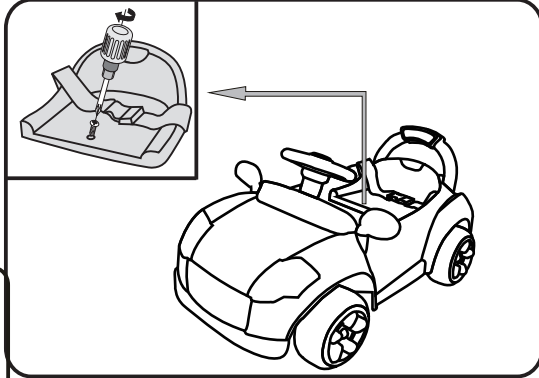
1. Insert the rear mirrors into the holes of the car body until they click into the position. Make sure the rear mirrors can't be drawn out easily.

### STEP ③

1. Insert the roll bar into the holes of the car body until they click into the position. Make sure the roll bar can't be drawn out easily.

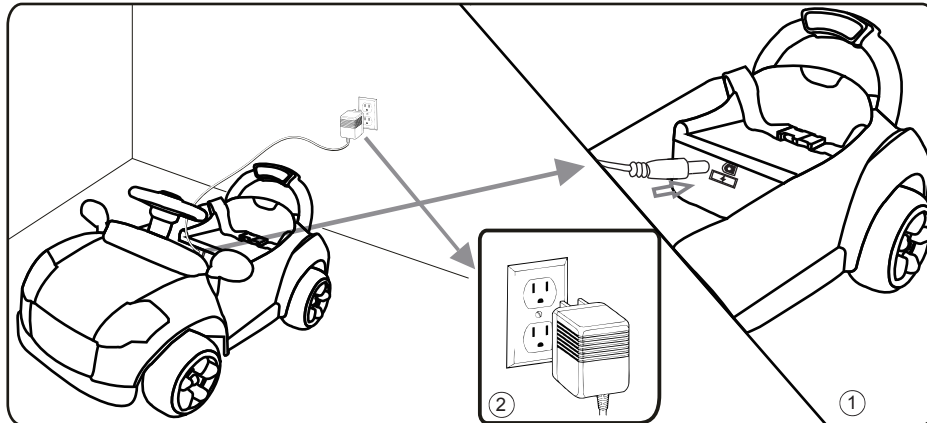
## CONNECTING THE VEHICLE BATTERY

1. Use a phillips head screwdriver to remove the screw at the front of the seat.
2. Remove the seat.



3. Plug the wire connector into the battery connector.
4. Insert the tabs on the back of the seat into the slots in the vehicle.
5. Use a phillips head screwdriver to screw and secure the seat to the vehicle body.

## CHARGING THE BATTERY



1. The vehicle charging input socket is under the front of the seat, plug the charger port into the input socket.
2. Plug the charger plug into the the wall outlet as shown.
3. After 8 -10 hours fully charged, unplug the charger plug from the wall outlet and unplug the charger port from the input socket on the vehicle.

## RECHARGING PRECAUTIONS AND WARNING

1. The charger is not a toy. The battery should be charged by adults only.
2. Do not allow children to play with the charger or to recharge the battery.
3. Before the first use, you should fully charge the battery for 8-12 hours. Do not recharge the battery for more than 15 hours to avoid overheating the charger.
4. To recharge the battery, plug the charger into household wall outlet, the battery will begin charging. After the battery are fully charged, unplug the charger from the battery and wall outlet.
5. It is normal for the charger to feel warm during charging, but if the charger feels very hot, stop charging and check the battery and charger for damage.
6. When the vehicle begins to run slowly, recharge the battery.
7. To lengthen the life of the battery, always recharge the battery before storing and at least every three months thereafter.
8. Use only battery of same type as recommended by the manufacturer.
9. Do not connect the battery terminals directly or the vehicle will short circuit.
10. Charger should be examined regularly for damage to the cord, plug, and other parts. Any damage is found, charger should be repaired or replaced immediately.
11. Do not use a damaged charger.

### IMPORTANT:

To prolong battery life, you must recharge the battery after each use. You must also charge your battery if it has not been used for 30 days or more.

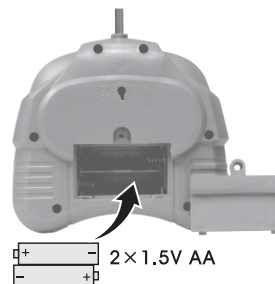
### CAUTION:

1. The battery compartment is located under the seat. The seat is installed in factory. For first use, unscrew the seat and lift it away from the vehicle to expose the battery compartment to connect battery.
2. The factory connected and secured all the wires to the battery terminals so they can't be easily removed. The factory connected the red wire to the red battery terminal and the black wire to the black terminal. Please note never try to connect Red to Black or Black to Red or a short circuit will occur!
3. Make sure the battery is connected for use before you install the seat!

## INSTALLING THE CONTROLLER BATTERIES

In order to use the vehicle remote control function, first install the batteries for controller.

1. Open the battery compartment by unscrewing the cover on the back of the controller. Note instruction for correct batteries installation.
2. Install 2 X "AA" alkaline batteries ( not included) as instructed.
3. After checking for the correct operation of the function, reinstall the battery cover.
4. Do not mix old and new batteries together when in use.
5. Do not mix rechargeable, standard or alkaline batteries.
6. Do not dispose exhausted battery in fire or water, to avoid explosion hazard or pollution of environment.
7. Do not charge standard batteries.



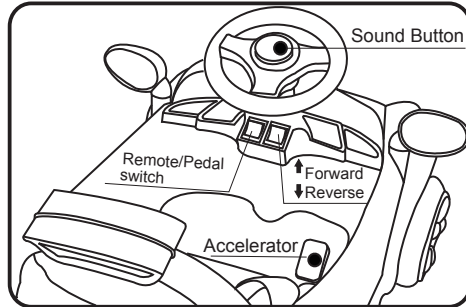
## OPERATION

Two functions can be operated by child enjoyed or adult. One is NORMAL RIDING, another is REMOTE CONTROL FUNCTION.

### NORMAL RIDING

Under normal riding without remote function, set the Remote/Pedal switch on the "Pedal" position. Never set the Remote/Pedal switch on the "Remote" position under the normal riding status. Or the vehicle can't be run and operated

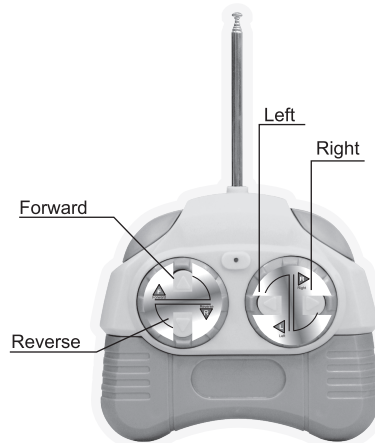
1. To move forward, set the direction switch to "forward" position on the left, and step on the accelerator.
2. To move reverse, set the direction switch to "reverse" position on the left and step on the accelerator.
3. Release foot from the accelerator to stop the vehicle before changing directions.
4. To make BB sound, press the Sound Button on the steering wheel.
5. Set the Forward/Reverse switch to on the middle position, step on the accelerator, the vehicle will not work.



### REMOTE CONTROL FUNCTION

Under remote function, set the Remote/Pedal switch on the "Remote" position. Never set the Remote/Pedal switch on the "Pedal" position. Or the vehicle can't be run and operated with the remote controller and no remote function. Under remote control function, Forward/Reverse switch and Acceleration are not any feature.

1. Before remote control the vehicle, installed the batteries for the controller as instructed and set the Remote and Pedal switch on the "Remote" position.
2. Press the controller "Forward" button, the vehicle will work forward. Press the controller "Reverse" button, the vehicle will work reverse.
3. Press the controller "Left" or "Right" button, the vehicle will work left or right.



### WARNING:

- The normal riding and remote control function can't be used at the same time. Please don't shift the Remote/ Pedal switch when child ride the vehicle.
- Only one function can be chosen for child riding when use.
- The remote control function must be supervised by adult only.
- Must be removed the batteries from the controller when it is not in use.
- Changes or modifications to this unit not expressly approved by the party responsible for compliance could void the user's authority to operate the equipment.
- Toys should be periodically examined potential hazards and that any potentially hazardous parts be repaired or replaced.

## **OVERLOAD PROTECTION**

The recharge battery equipped with an auto – recovery device itself to conform to the vehicle designed. If the vehicle is overloaded or operated incorrectly, or power current is greater than the recharge battery device is designed to accept, the battery device will shut off power automatically. The vehicle will stop working. After one or two minutes the battery device will reset itself and resume the power. The vehicle will work normally.

### **WARNING:**

**NEVER** change the direction by pressing the Forward/Backward switch while the car is moving. You must always come to stop the car before changing direction.

## **TROUBLE SHOOTING**

1. If the vehicle fails to move:
  - Make sure direction switch is not set to the “ stop” position.
  - Make sure the battery wires are connected properly.
  - Recharge battery, if necessary.
  - Check if you overload and relay tripped. Never allow more 1 rider and more than 55LBS.
2. If the vehicle runs slowly: Recharge the battery.
3. If the battery cannot be recharged: Battery or adaptor may need to be replaced.
4. For Remote Control function fails:
  - To check if the controller batteries installed correctly, reinstall the battery.
  - To check if the batteries exhausted, replace the new ones.
  - To set the Remote/Pedal switch on the “Remote” position.
  - Reinstall the antenna of the controller correctly and securely
5. If the vehicle still fails to operate, contact Kaya Toys Service :[service@kytoys.com](mailto:service@kytoys.com)

## **IMPORTANT!**

- Adults should read this manual carefully before allowing children to use the vehicle. Vehicle should be assembled by an adult.
- Children should always be supervised by an adult when operating the vehicle.
- Do not overload, maximum weight 55LBS/25kgs.
- Only 1 child should ride on this vehicle at a time.
- Do not operate vehicle on sandy, muddy, or rugged surfaces to avoid damage to the vehicle.
- Do not ride the vehicle in dangerous places such as busy streets, roads, or highways.
- Never use near swimming pools or other bodies of water.
- Never ride the toy in the mud or in sandy areas. Never ride in hilly areas or on steep slopes.
- Never ride in the dark or in dimly lit areas.
- Use the toy only on flat surfaces, such as inside your house, garden, or playground.
- Do not clean the vehicle while the charger is attached.
- Use only batteries recommended by the manufacturer.
- Use only chargers specified by the manufacturer.
- Clean the vehicle only with a damp cloth—never submerge vehicle in water or spray vehicle with water from a hose.

**NOTE:**

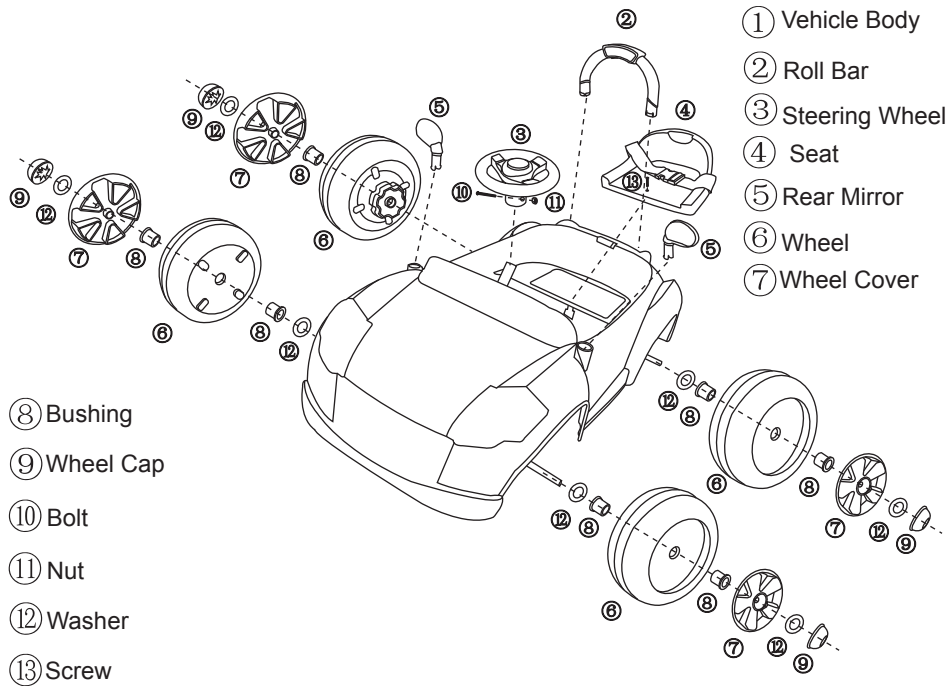
This equipment has been tested and found to comply with the limits for a Class B digital device, pursuant to Part 15 of the FCC Rules. These limits are designed to provide reasonable protection against harmful interference in a residential installation. This equipment generates, uses and can radiate radio frequency energy and, if not installed and used in accordance with the instructions, may cause harmful interference to radio communications.

However, there is no guarantee that interference will not occur in a particular installation. If this equipment does cause harmful interference to radio or television reception, which can be determined by turning the equipment off and on, the user is encouraged to try to correct the interference by one or more of the following measures:

- Reorient or relocate the receiving antenna.
- Increase the separation between the equipment and receiver.
- Connect the equipment into an outlet on a circuit different from that to which the receiver is connected.
- Consult the dealer or an experienced radio/TV technician for help.

Shielded cables must be used with this unit to ensure compliance with the Class B FCC limits.

**DIAGRAM**





---

To order parts contact Kaya Toys Customer Service: [service@kytoys.com](mailto:service@kytoys.com). Include the model number found and brief description of the part



## WARNING:

TO REDUCE THE RISK OF INJURY, ADULT SUPERVISION IS REQUIRED.  
NEVER USE IN ROADWAYS, NEAR MOTOR VEHICLES, ON OR NEAR STEEP  
INCLINES OR STEPS, SWIMMING POOLS OR OTHER BODIES OF WATER;  
ALWAYS WEAR SHOES, AND NEVER ALLOW MORE THAN 1 RIDER.

Manufactured by  
Kaya Toys Enterprises Limited  
7/F., Kin On Commercial Building, 49-51 Jervois Street,  
Sheung Wan, Hong Kong