

30" ELECTRIC SLIDE-IN RANGE INSTALLATION INSTRUCTIONS

INSTALLATION AND SERVICE MUST BE PERFORMED BY A QUALIFIED INSTALLER.

IMPORTANT: SAVE FOR LOCAL ELECTRICAL INSPECTOR'S USE. READ AND SAVE THESE INSTRUCTIONS FOR FUTURE REFERENCE.

Do not pinch the power supply cord between the range and the wall.

Do not seal the range to the side cabinets.

**** NOTE:** 24" (61 cm) minimum clearance between the cooktop and the bottom of the cabinet when the bottom of wood or metal cabinet is protected by not less than 1/4" (0.64 cm) flame retardant millboard covered with not less than No. 28 MSG sheet metal, 0.015" (0.4 mm) stainless steel, 0.024" (0.6 mm) aluminum, or 0.020" (0.5 mm) copper.

30" (76.2 cm) minimum clearance when the cabinet is unprotected.

• **NOTE:** Allow at least 19 1/4" (48.9 cm) clearance for door depth when it is open.

• Door Open (see note)

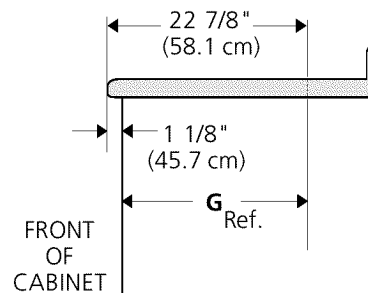
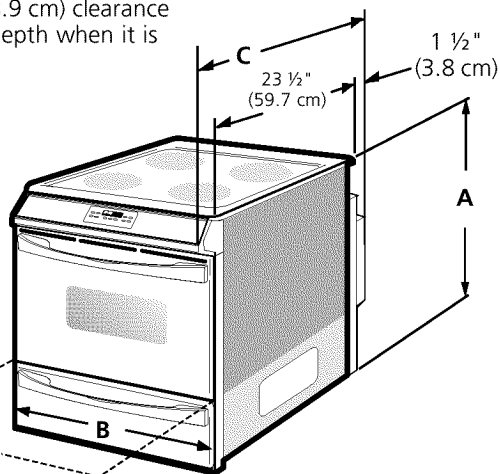
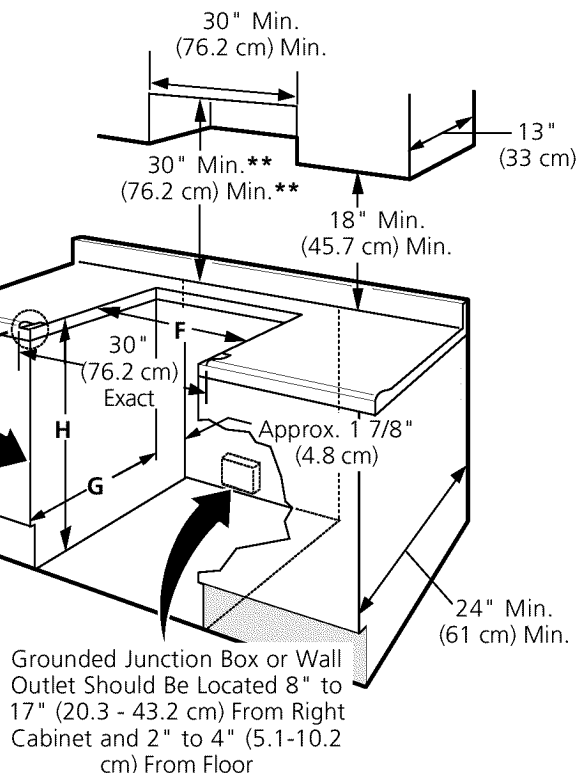
Shave Raised Edge To Clear 30" (76.2 cm) Wide Cooktop Rim.

1 1/2" Max. (3.8 cm Max.)

Locate Cabinet Doors 1" (2.5 cm) Min. From Cutout Opening

* **Note:** 29" (73.7 cm) Wide Opening For Overlapping Cooktop and Built-In Look.

If Installing Models With Optional Side Panels, Cutout Area Including Countertop Must Be At Least 30" (76.2 cm) Wide.



A. HEIGHT	B. WIDTH	C. DEPTH TO FRONT OF RANGE	F. MINIMUM CUTOUT WIDTH	G. CUTOUT DEPTH	H. HEIGHT OF COUNTERTOP
35 3/8" - 36 3/8" (90-92 cm)	30" (76.2 cm)	26 1/4" (66.7 cm)	29" (73.7 cm)	21 3/4" (55.2 cm)	36" (91.4 cm) standard 35 3/8" (90 cm) min.

G. Minimum cutout depth is increased to 24" (61 cm) with backguard.

30" ELECTRIC SLIDE-IN RANGE INSTALLATION INSTRUCTIONS

Important Notes to the Installer

1. Read all instructions contained in these installation instructions before installing range.
2. Remove all packing material from the oven and the drawer compartments before connecting the electrical supply to the range.
3. Observe all governing codes and ordinances.
4. Be sure to leave these instructions with the consumer.

Important Note to the Consumer

Keep these instructions with your owner's guide for future reference.

IMPORTANT SAFETY INSTRUCTIONS

- Be sure your range is installed and grounded properly by a qualified installer or service technician.
- This range must be electrically grounded in accordance with local codes or, in their absence, with the National Electrical Code ANSI/NFPA No. 70—latest edition.
- The installation of appliances designed for manufactured (mobile) home installation must conform with Manufactured Home Construction and Safety Standard, title 24CFR, part 3280 [Formerly the Federal Standard for Mobile Home Construction and Safety, title 24, HUD (part 280)] or when such standard is not applicable, the Standard for Manufactured Home Installation 1982 (Manufactured Home Sites, Communities and Setups), ANSI Z225.1/NFPA 501A—latest edition, or with local codes.
- Make sure the wall coverings around the range can withstand the heat generated by the range.

- Before installing the range in an area covered with linoleum or any other synthetic floor covering, make sure the floor covering can withstand heat at least 90°F above room temperature without shrinking, warping or discoloring. Do not install the range over carpeting unless you place an insulating pad or sheet of 1/4" thick plywood between the range and carpeting.

⚠ WARNING Never leave children alone or unattended in the area where an appliance is in use. As children grow, teach them the proper, safe use of all appliances. Never leave the oven door open when the range is unattended.

⚠ WARNING Stepping, leaning or sitting on the door or drawer of this range can result in serious injuries and can also cause damage to the range.

- Do not store items of interest to children in the cabinets above the range. Children could be seriously burned climbing on the range to reach items.
- To eliminate the need to reach over the surface units, cabinet storage space above the units should be avoided.
- Do not use the oven as a storage space. This creates a potentially hazardous situation.
- Never use your range for warming or heating the room. Prolonged use of the range without adequate ventilation can be dangerous.
- Do not store or use gasoline or other flammable vapors and liquids near this or any other appliance. Explosions or fires could result.
- Reset all controls to the "off" position after using a programmable timing operation.

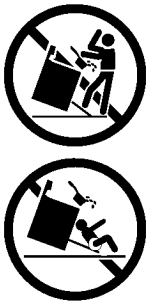
FOR MODELS WITH SELF-CLEAN FEATURE:

- Remove broiler pan, food and other utensils before self-cleaning the oven. Wipe up excess spillage. Follow the precleaning instructions in the Use and Care Guide.

Power Supply Cord Kit

The user is responsible for connecting the power supply cord to the connection block located behind the back panel access cover.

This appliance may be connected by means of permanent "hard wiring" (flexible armored or nonmetallic shielded copper cable), or by means of a power supply cord kit. Only a power supply cord kit rated at 125/250 volts minimum, 40 amperes minimum and marked for use with ranges shall be used. See chart (next page) for cord kit connection opening size information. Cord must have either 3 or 4 conductors.

	⚠ WARNING	⚠ WARNING
	<ul style="list-style-type: none">• All ranges can tip.• Injury to persons could result.• Install anti-tip device packed with range.	To reduce the risk of tipping of the range, the range must be secured by properly installed anti-tip bracket (s) provided with the range. To check if the bracket (s) is installed properly, grasp the top rear edge of the range and carefully tilt it forward to make sure the range is anchored.

30" ELECTRIC SLIDE-IN RANGE INSTALLATION INSTRUCTIONS

For mobile homes, new installations, recreational vehicles, or areas where local codes do not permit grounding through neutral, a 4 conductor power supply cord kit rated at 125/250 volts minimum, 40 amperes and marked for use with ranges should be used (see Figure 4).

Terminals on end of wires must be either closed loop or open-end spade lugs with upturned ends. Cord must have strain-relief clamp.

See below for 3 or 4 conductor wire connection.

Range Connection Opening Size Chart				
Refer to chart below for proper range connection opening size and power supply cord kit ampere rating information. See serial plate on range for kilowatt rating data.				
See Serial Plate on Range for KW Rating		Minimum Cord kit Ampere Rating	Diameter (inches) of Range Connection Opening	
120/240 Volts	120/208 Volts		Cord Kit	Direct Connection
8.8-16.5 Kw	7.9-12.5 Kw	40 Amp	1-3/8 in.	1-1/8 in.
16.6-22.5 Kw	12.6-18.5 Kw	50 Amp	1-3/8 in.	1-3/8 in.

NOTE: Electric Slide-in Range is shipped from factory with 1-1/8" dia. hole as shown on figure 3. If a larger hole is required, punch out the knockout.

⚠ WARNING Risk of fire or electrical shock exists if an incorrect size range cord kit is used, the Installation Instructions are not followed, or the strain relief bracket is discarded.

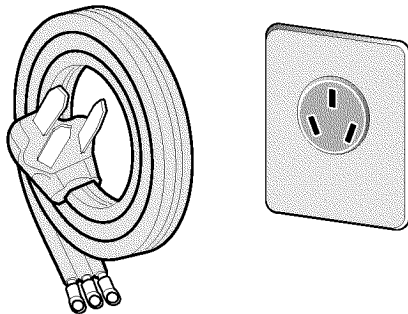


Figure 1

⚠ CAUTION Do not loosen the nuts which secure the factory-installed range wiring to terminal block while connecting range. Electrical failure or loss of electrical connection may occur.

Electrical Connection to the Range

This appliance is manufactured with the neutral terminal connected to the frame.

⚠ WARNING

Electrical Shock Hazard

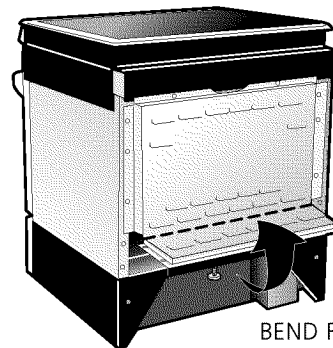
- **Electrical ground is required on this appliance.**
- **Do not connect to the electrical supply until appliance is permanently grounded.**
- **Disconnect power to the circuit breaker or fuse box before making the electrical connection.**
- **This appliance must be connected to a grounded, metallic, permanent wiring system, or a grounding connector should be connected to the grounding terminal or wire lead on the appliance.**

Failure to do any of the above could result in a fire, personal injury or electrical shock.

Three Conductor Wire Connection to Range

(The 3-conductor cord or cable must be replaced with a 4-conductor cord or cable where grounding through the neutral conductor is prohibited in new installations, mobile homes, recreational vehicles or in other areas where local codes do not permit neutral grounding) If local codes permit connection of the frame grounding conductor to the neutral wire of the copper power supply cord (see Figure 3).

1. Remove the 3 screws at the lower end of the rear wire cover, then bend the lower end of the rear wire cover (access cover) upward to expose range terminal connection block (see Figure 2).



BEND REAR WIRE COVER HERE FOR ACCESS TO TERMINAL BLOCK

Figure 2

2. Remove the 3 loose nuts (after you remove the rubber band) on the terminal block using 3/8" nut driver or socket.
3. Connect the neutral of the copper power supply cord to the center silver-colored terminal of the terminal block, and connect the other wires to the outer terminals. Match wires and terminals by color (red wires connected to the right terminal, black wires connected to the left terminal).
4. Replace the 3 nuts on the terminal block (see figure 3).
5. Lower the terminal cover and replace the 3 screws.

30" ELECTRIC SLIDE-IN RANGE INSTALLATION INSTRUCTIONS

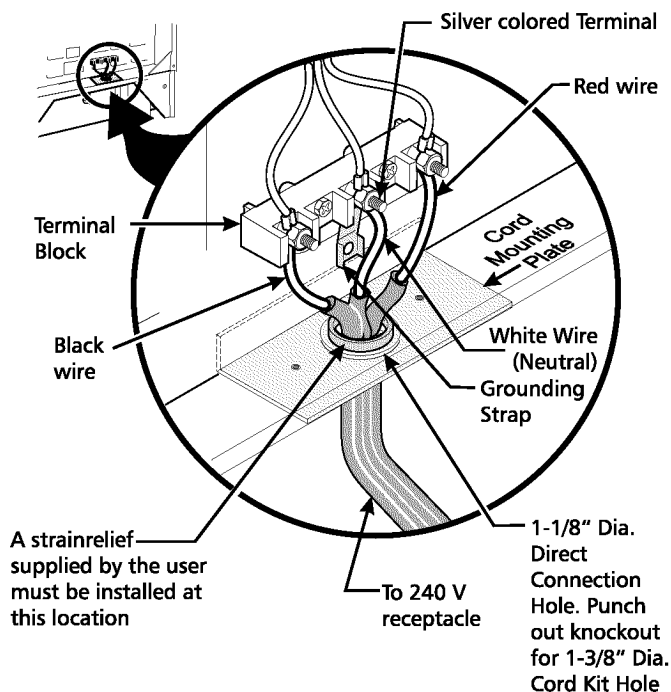


Figure 3

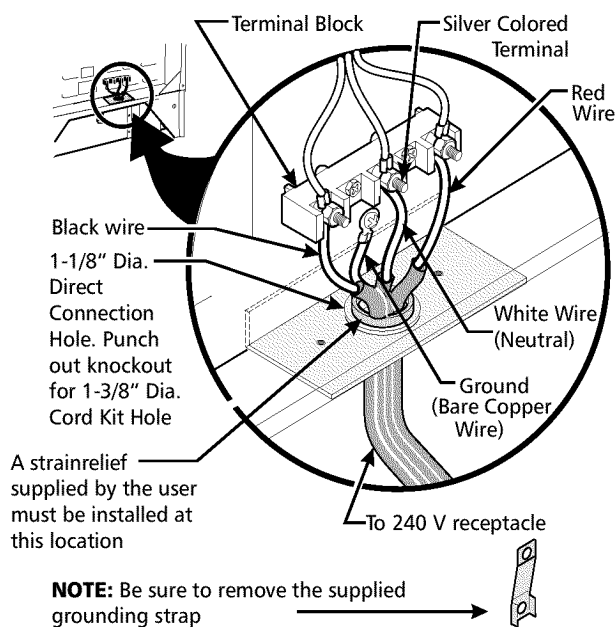


Figure 4

Four Conductor Wire Connection to Range (mobile homes)

1. Remove the 3 screws at the lower end of the rear wire cover, then raise the lower end of the rear wire cover (access cover) upward to expose range terminal connection block (see figure 2).
2. Remove the 3 loose nuts (after you remove the rubber band) on the terminal block using a 3/8" nut driver or socket.
3. Remove the ground strap from the terminal block and from the appliance frame.
4. Connect the ground wire (green) of the copper power supply cord to the frame of the appliance with the ground screw, using the hole in the frame where the ground strap was removed (see Figure 4).
5. Connect the neutral of the copper power supply cord to the center silver-colored terminal of the terminal block, and connect the other wires to the outer terminals. Match wires and terminals by color (red wires connected to the right terminal, black wires connected to the left terminal).
6. Replace the 3 nuts on the terminal block (see figure 4).
7. Lower the terminal cover and replace the 3 screws.

Direct Electrical Connection to the Circuit Breaker, Fuse Box or Junction Box

If the appliance is connected directly to the circuit breaker, fuse box or junction box, use flexible, armored or nonmetallic sheathed copper cable (with grounding wire). Supply a U.L. listed strain-relief at each end of the cable. At the appliance end, the cable goes through the Direct Connection Hole (see Figure 4) on the Cord Mounting Plate. Wire sizes (**copper wire only**) and connections must conform to the rating of the appliance.

Where local codes permit connecting the appliance-grounding conductor to the neutral (white) wire (see Figure 5):

(The 3-conductor cord or cable must be replaced with a 4-conductor cord or cable where grounding through the neutral conductor is prohibited in new installations, mobile homes, recreational vehicles or in other areas where local codes do not permit neutral grounding)

1. Disconnect the power supply.
2. In the circuit breaker, fuse box or junction box: connect appliance and residence cable wires as shown in figure 5.

30" ELECTRIC SLIDE-IN RANGE INSTALLATION INSTRUCTIONS

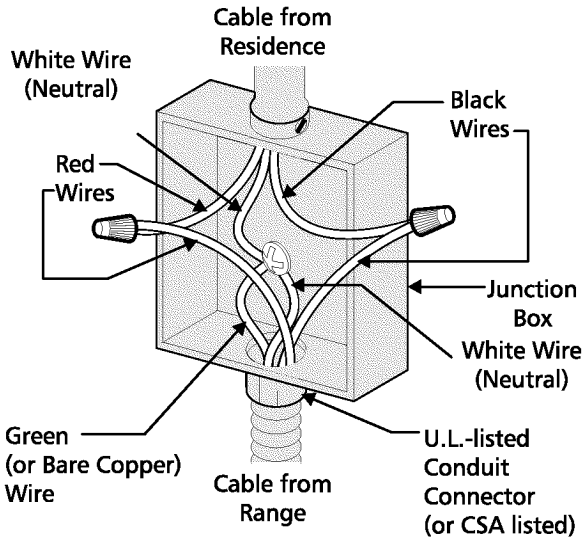


Figure 5

3-Wire (Grounded Neutral) Electrical System
(Example: Junction Box)

Where local codes **DO NOT** permit connecting the appliance-grounding conductor to the neutral (white) wire, or if connecting to 4-wire electrical system (see Figure 6):

1. Disconnect the power supply.
2. Separate the green (or bare copper) and white appliance cable wires.
3. In the circuit breaker, fuse box or junction box: connect appliance and residence cable wires as shown in figure 6.

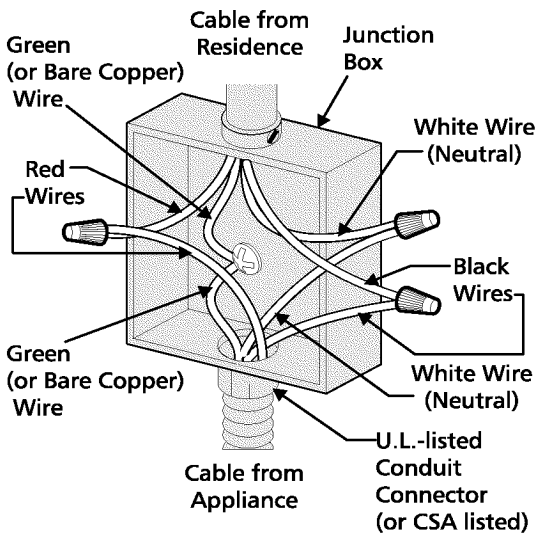


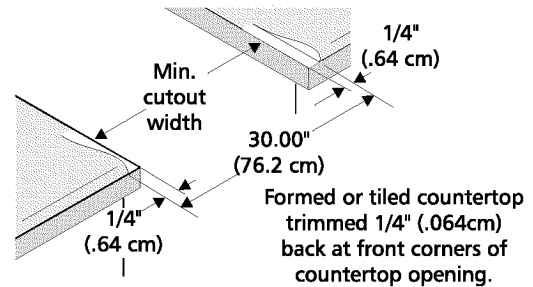
Figure 6 – 4-Wire Electrical System
(Example: Junction Box)

Cabinet Construction

CAUTION To eliminate the risk of burns or fire by reaching over heated surface units, do not have cabinet storage space above the range. If there is cabinet storage space above range, reduce risk by installing a range hood that projects horizontally a minimum of 5" (12.7 cm) beyond the bottom of the cabinet.

Countertop Preparation

- The cooktop sides of the range fit over the cutout edge of your countertop.
- If you have a **square finish (flat) countertop**, no countertop preparation is required.
- **Formed front-edged countertops** must have molded edge shaved flat 1/4" (0.64 cm) from each front corner of opening.
- **Tile countertops** may need trim cut back 1/4" (0.64 cm) from each front corner and/or rounded edge flattened.



- **If the countertop opening width is greater than the minimum cutout width**, adjust the 1/4" (0.64 cm) dimension.
- **Countertop must be level.** Place a level on the countertop, first side to side, then front to back. If the countertop is not level, the range will not be level. The oven must be level for satisfactory baking results. Cooktop sides of range fit over edges of countertop opening.

30" ELECTRIC SLIDE-IN RANGE INSTALLATION INSTRUCTIONS

Range Installation

⚠ CAUTION When unpacking the range, do not discard the 2 front shipping bolts, but screw them into the holes at the front corners of the range; they will function as the front leveling legs. Discard the 2 other bolts; they are not needed, and are installed on the range for shipping purposes only. This appliance is equipped with a new rear leveling system that allows you to level the range after installation in cutout opening.

Installation Without Side Panel(s)

1. The range cooktop overlaps the countertop at the sides and the range rests on the floor. The cooktop is 30" (76.2 cm) wide.
2. Install base cabinets 29" (73.7 cm) apart. Make sure they are plumb and level before attaching cooktop. Shave raised countertop edge to clear 30" wide range top rim.
3. Install cabinet doors 31" (78.7 cm) min. apart so it will not interfere with range door opening.
4. Cutout countertop exactly as shown on page 1.
5. A backguard kit can be ordered through Sears Service Center.

For models equipped with Leveling Device:

6. When you unpack the range, the leveling devices at rear are at the highest position they can be. Make sure the front leveling legs are also at their highest position.
7. **⚠ CAUTION** Install the anti-tip bracket at this point before placing the range at its final position. Follow the installation instructions on page 8 or on the anti-tip bracket template supplied with the range.
8. Slide the range into the cutout opening.
9. **Level the range** (figure 7). **The floor where the range is to be installed must be level.** Follow the instructions under "Leveling the Range-Models Equipped with Leveling Device"

For models equipped with Leveling Legs:

6. Adjust leveling legs so that the underside of the cooktop is sitting on the countertop.
7. **Level the range. The floor where the range is to be installed must be level.** Follow the instructions under "Leveling the Range-Models Equipped with Leveling Legs"

Installation With Side Panel(s)

1. Install base cabinets 30 1/8" (76.5 cm) min. apart. Make sure they are plumb and level.
2. Install cabinet doors 31" (78.7 cm) min. apart so as not to interfere with range door opening.
3. A backguard kit can be ordered through a Sears Service Center.
4. An end panel kit can be ordered through a Sears Service Center.

5. Follow steps 6 to 9 "Installation Without Side Panels" above.

Installation With Backguard

The cutout depth of 21 5/8" (55 cm) needs to be increased to 24" (61 cm) when installing a backguard.

Leveling the Range - Models Equipped with Leveling Device

Level the range after installation in the cutout opening.

1. Open the range drawer and remove the two metallic caps covering the 2 leveling screws. These leveling screws control the height of the rear leg.
2. Adjust the appliance legs as follows until the underside of the cooktop surface is sitting level on the countertop (Figure 7).
 - a. To adjust the front legs, use a wrench on the leg base and turn clockwise to lower or counterclockwise to raise.
 - b. To adjust the rear legs, use a ratchet or a nutdriver and turn the leveling screws counterclockwise to lower or clockwise to raise.

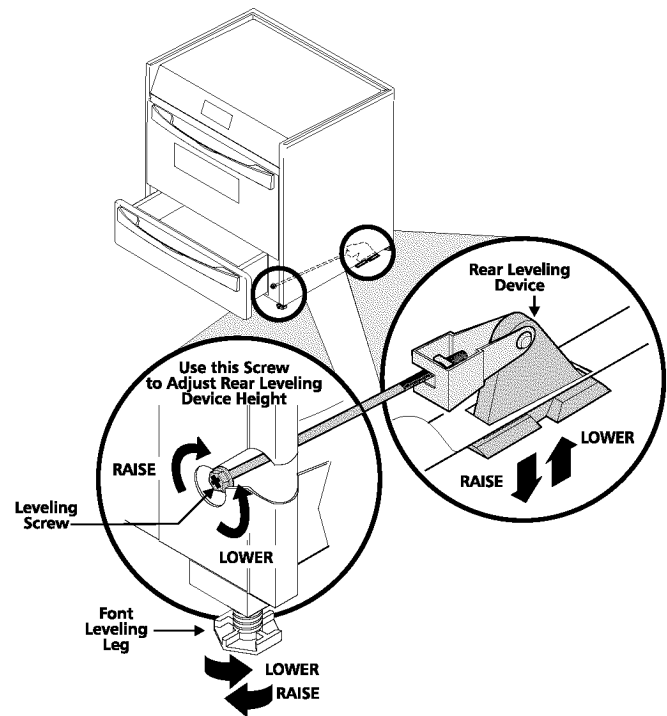


Figure 7

3. Check if the range is level by installing an oven rack in the center of the oven and placing a level on the rack (Figure 8).
4. Take 2 readings with the level placed diagonally in one direction and then the other. Level the range, if necessary, by adjusting the leveling legs.

30" ELECTRIC SLIDE-IN RANGE INSTALLATION INSTRUCTIONS

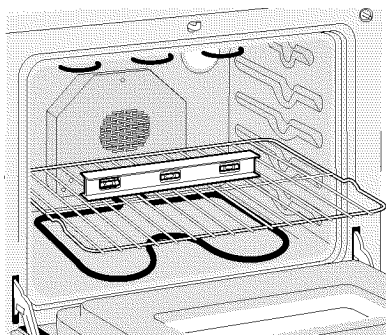


Figure 8

5. If the range cannot be level, contact a carpenter to correct sagging or sloping floor.
6. Replace the metallic caps in position.

Leveling the Range - Models Equipped with Leveling Legs

Level the range and set cooktop height before installation in the cut-out opening.

1. Install an oven rack in the center of the oven.
2. Place a level on the rack (see figure 8). Take 2 readings with the level placed diagonally in one direction and then the other. Level the range, if necessary, by adjusting the 4 leg levelers with a wrench (see Figure 12).
3. Taking care to not damage the countertop, slide range into cut-out opening and double check for levelness. If the range is not level, pull unit out and readjust leveling legs, or make sure floor is level.

Check Operation

Refer to the Use and Care Guide packaged with the range for operating instructions and for care and cleaning of your range.

CAUTION Do not touch the elements. They may be hot enough to cause burns.

Remove all packaging from the oven and the warmer drawer (if equipped) before testing.

1. Operation of Surface Elements

Turn on each of the four surface elements and check to see that they heat. Check the surface element indicator light(s), if equipped.

2. Operation of Oven Elements

The oven is equipped with an electronic oven control. Each of the functions has been factory checked before shipping. However, it is suggested that you verify the operation of the electronic oven controls once more. Refer to the Electronic Oven Control Guide for operation. Follow the instructions for the Clock, Timer, Bake, Broil, Convection (some models) and Clean functions.

Bake—After setting the oven to 350°F (177°C) for baking, the lower element in the oven should become red.

Broil—When the oven is set to BROIL, the upper element in the oven should become red.

Clean—When the oven is set for a self-cleaning cycle, the upper element should become red during the preheat portion of the cycle. After reaching the self-cleaning temperature, the lower element will become red.

Convection (some models)—When the oven is set to CONV. BAKE/ROAST at 350°F (177°C), the convection element cycles on and off and the convection fan turns. The convection fan will stop turning when the oven door is opened during convection baking or roasting.

Warmer Drawer (some models)—Set the control knob to HI and check to see the drawer is heating.

When All Hookups are Complete

Make sure all controls are left in the OFF position.

Model and Serial Number Location

The serial plate is located on the oven front frame behind the oven door (some models) or behind the drawer (some models).

When ordering parts for or making inquiries about your range, always be sure to include the model and serial numbers and a lot number or letter from the serial plate on your range.

Before You Call for Service

Read the Avoid Service Checklist and operating instructions in your Use and Care Guide. It may save you time and expense. The list includes common occurrences that are not the result of defective workmanship or materials in this appliance.

Refer to the warranty and service information in your Use and Care Guide for Sears phone number and address. Please call or write if you have inquiries about your range product and/or need to order parts.

30" ELECTRIC SLIDE-IN RANGE INSTALLATION INSTRUCTIONS

Anti-Tip Brackets Installation Instructions - Models Equipped with Leveling Device

⚠️ WARNING To reduce the risk of tipping of the range, the range must be secured to the floor by properly installed anti-tip bracket and screws packed with the range. Those parts are located in the oven. Failure to install the anti-tip bracket will allow the range to tip over if excessive weight is placed on an open door or if a child climbs upon it. Serious injury might result from spilled hot liquids or from the range itself.

Follow the instructions below to install the anti-tip brackets.

If range is ever moved to a different location, the anti-tip brackets must also be moved and installed with the range.

Tools Required:

Adjustable Wrench
Ratchet
Drill & 1/8" bit
5/16" Nutdriver
Level

The anti-tip bracket attaches to the floor at the back of the range to hold range rear center leg. When fastening bracket to the floor, be sure that screws do not penetrate electrical wiring or plumbing. The screws provided will work in either wood or concrete.

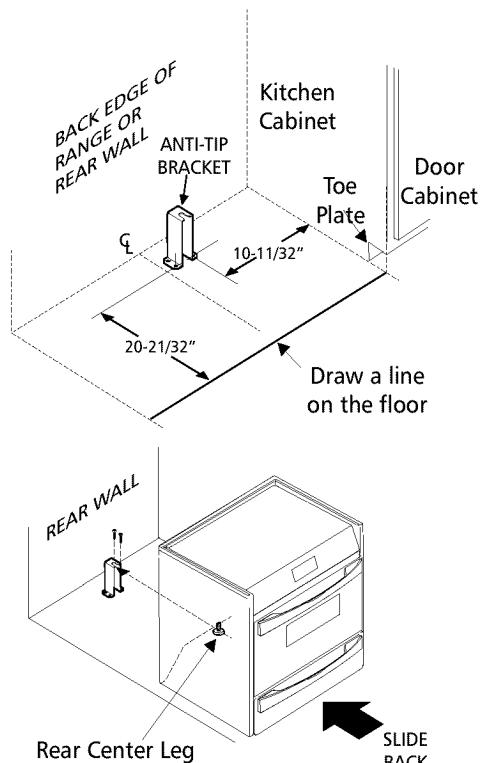


Figure 9

1. Draw a line on the floor (in front of the cutout) aligned with the front of the cabinet (not with the toe plate).
2. Unfold paper template and place it flat on the floor with the front and side edges positioned exactly on the cabinet line you just drew before. (Use the diagram below to locate brackets if template is not available. (figure 9))
3. Mark on the floor the location of the 4 mounting holes shown on the template. For easier installation, 3/16" diameter pilot holes 1/2" deep can be drilled into the floor.
4. Remove template and place bracket on floor. Line up holes in bracket with marks on floor and attach with 4 screws provided. Bracket must be secured to solid floor (figure 10). If attaching to concrete floor, first drill 3/16" dia. pilot holes using a masonry drill bit.
5. Be sure the 4 leveling legs are at the highest position they can be.
6. Slide range into place making sure rear center leg is trapped by the anti-tip bracket (figure 9). Lower the range by adjusting the 4 leveling legs until the underside of the cooktop is sitting level on the countertop. Refer to "Leveling the Range" section.
7. After installation, verify that the anti-tip bracket is engaged by opening warmer drawer and looking through openings in rear panel. If a storage drawer is provided rather than a warmer drawer, open and remove drawer and check to make sure the anti-tip bracket is engaged.

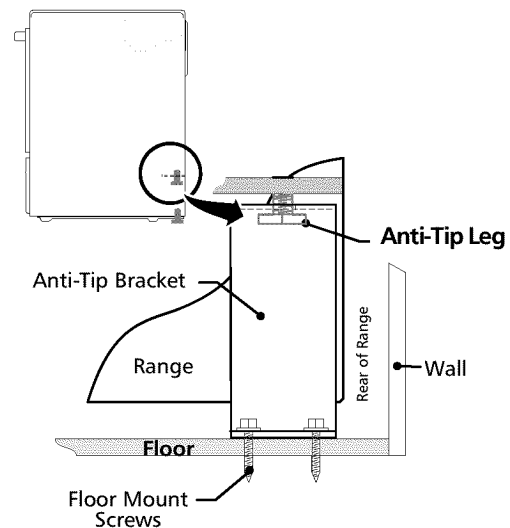


Figure 10

30" ELECTRIC SLIDE-IN RANGE INSTALLATION INSTRUCTIONS

Anti-Tip Brackets Installation Instructions - Models Equipped with Leveling legs

⚠ WARNING To reduce the risk of tipping of the range, the range must be secured to the floor by properly installed anti-tip brackets and screws packed with the range. Those parts are located in a plastic bag in the oven. Failure to install the anti-tip brackets will allow the range to tip over if excessive weight is placed on an open door or if a child climbs upon it. Serious injury might result from spilled hot liquids or from the range itself.

Follow the instructions below to install the anti-tip brackets.

If range is ever moved to a different location, the anti-tip brackets must also be moved and installed with the range. To check for proper installation, see step 5.

Tools Required:

5/16" Nutdriver or Flat Head Screwdriver
Adjustable Wrench
Electric Drill
3/16" Diameter Drill Bit
3/16" Diameter Masonry Drill Bit (if installing in concrete)

Brackets attach to the floor at the back of the range to hold both rear leg levelers. When fastening to the floor, be sure that screws do not penetrate electrical wiring or plumbing. The screws provided will work in either wood or concrete.

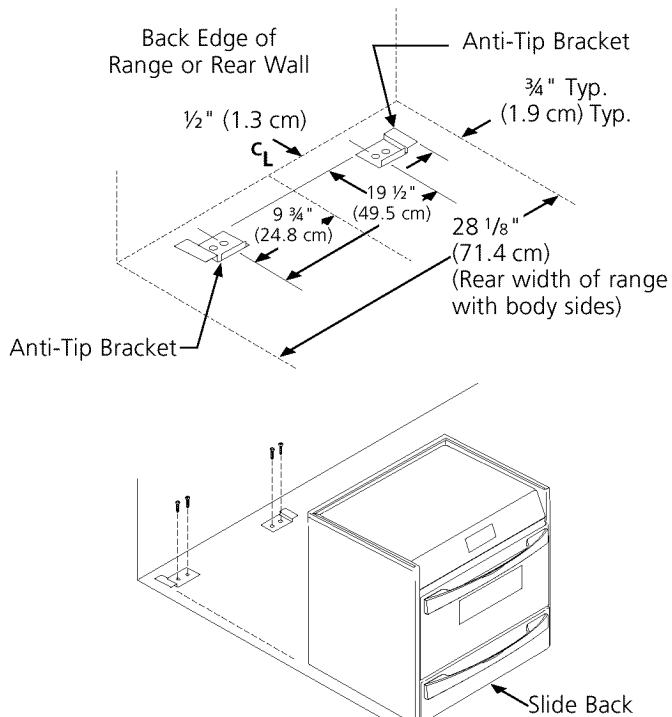


Figure 11

1. Unfold paper template and place it flat on the floor with the back and side edges positioned exactly where the back and sides of range will be located when installed. (Use the diagram below to locate brackets if template is not available.)
2. Mark on the floor the location of the 4 mounting holes shown on the template. For easier installation, 3/16" (0.5 cm) diameter pilot holes 1/2" (1.3 cm) deep can be drilled into the floor.
3. Remove template and place brackets on floor with turned up flange to the front. Line up holes in brackets with marks on floor and attach with 4 screws provided. Brackets must be secured to solid floor. If attaching to concrete floor, first drill 3/16" (0.5 cm) dia. pilot holes using a masonry drill bit.
4. Level range if necessary, by adjusting 4 leg levelers with wrench. (See Figure 12 below.) A minimum clearance of 1/8" (0.8 cm) is required between the bottom of the range and the rear leg levelers to allow room for the anti-tip brackets.
5. Slide range into place making sure rear legs are trapped by ends of brackets. Range may need to be shifted slightly to one side as it is being pushed back to allow rear legs to align with brackets. You may also grasp the top rear edge of the range and carefully attempt to tilt it forward to make sure range is properly anchored.

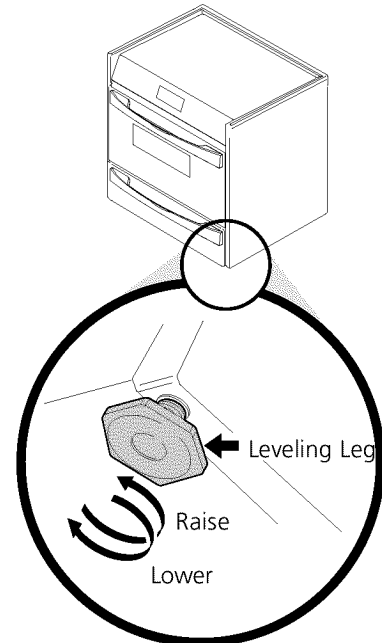


Figure 12

30" ELECTRIC SLIDE-IN RANGE INSTALLATION INSTRUCTIONS

Notes

INSTRUCCIONES DE INSTALACIÓN PARA LA ESTUFA ELÉCTRICA DESLIZABLE DE 30"

LA INSTALACIÓN Y EL SERVICIO DEBEN SER EFECTUADOS POR UN INSTALADOR CALIFICADO.

IMPORTANTE: GUARDE ESTAS INSTRUCCIONES PARA USO DEL INSPECTOR LOCAL DE ELECTRICIDAD.

LEA Y GUARDE ESTAS INSTRUCCIONES PARA REFERENCIA FUTURA.

No pellizque el cordón eléctrico entre la estufa y la pared.

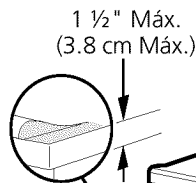
No selle la estufa a los armarios de lado.

**** NOTA:** Un espacio mínimo de 24" (61 cm) entre la superficie de la estufa y el fondo del armario cuando el fondo del armario de madera o metal está protegido por no menos de 1/4" (0.64 cm) de madera resistente al fuego cubierta por una lámina metálica de MSG, número 28, 0.015" (0.4 mm) de acero inoxidable, 0.024" (0.6 mm) aluminio, ó 0.020" (0.5 mm) de cobre.

Un espacio mínimo de 30" (76.2 cm) cuando el armario no está protegido.

• **NOTA:** Deje por los 19 1/4" (48.9 cm) de espacio libre para la profundidad de la puerta cuando esta abierta.

Lije la parte elevada del borde para obtener las 30" (76.2 cm) de ancho del reborde de la plancha de cocinar.

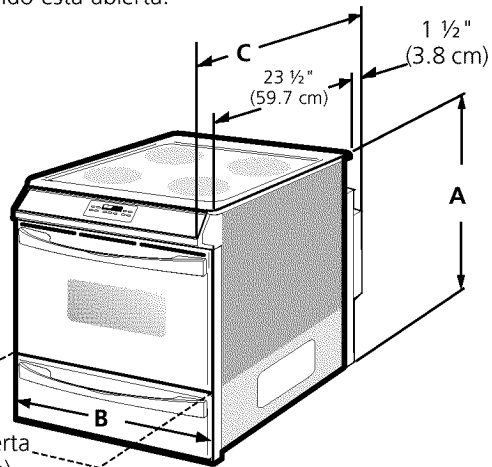
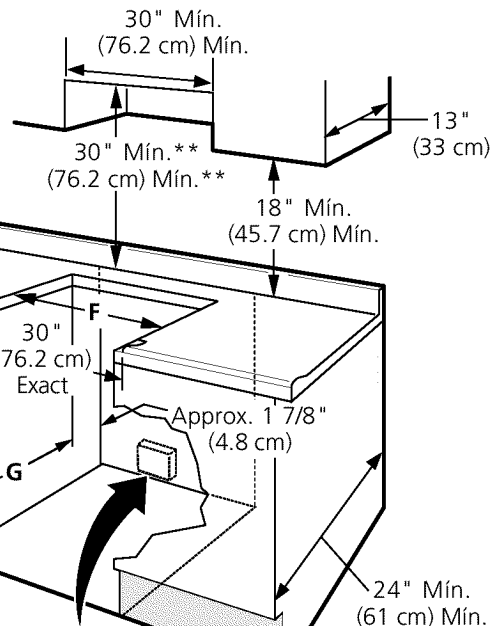


Localice las puertas del armario 1" (2.5 cm) mín. del hueco de la abertura.

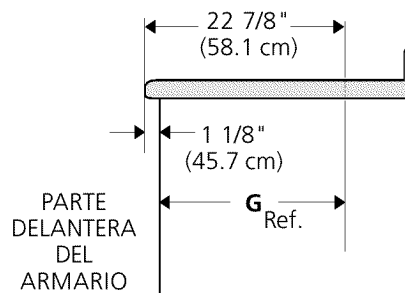
* **Nota:** 29" (73.7 cm) Anchura de la abertura para plancha traslapada y apariencia encerrada.

Para la instalación de modelos con paneles laterales opcionales, el área del hueco incluyendo el armario debe de estar 30" (76.2 cm) de anchura mínimo.

La caja de empalmes o el enchufe de conexión con la tierra debería situarse de 8" a 17" (20.3 - 43.2 cm) del armario derecho y de 2" a 4" (5.1-10.2 cm) del suelo.



• Puerta abierta (vea la nota)



A. ALTURA	B. ANCHURA	C. PROFUNDIDAD A LA FENTE DE LA ESTUFA	F. ANCHURA MÍNIMA DE RECORTADO	G. PROFUNDIDAD MÍNIMA DE RECORTADO	H. ALTURA DEL MOSTRADOR
35 3/8" - 36 3/8" (90-92 cm)	30" (76.2 cm)	26 1/4" (66.7 cm)	29" (73.7 cm)	21 3/4" (55.2 cm)	36" (91.4 cm) standard 35 3/8" (90 cm) min.

G. La profundidad mínima de recortado se aumenta a 24" (61 cm) con el uso de un protector trasero.

Notas importantes para el instalador

1. Lea todas las instrucciones antes de instalar la cocina.
2. Retire todo material de empaquetado del horno y de la gaveta de entibiado antes de conectar el suministro eléctrico a la cocina.
3. Observe todo código o reglamento.
4. Asegúrese de dejar estas instrucciones con el consumidor

Nota importante para el consumidor

Mantenga estas instrucciones con el manual del usuario para futuras referencias.

INSTRUCCIONES DE SEGURIDAD IMPORTANTES

- Asegúrese que su cocina está instalada y conectada adecuadamente a tierra por un instalador calificado o un técnico de servicio.
- Esta cocina debe ser conectada a tierra eléctricamente de acuerdo con los códigos locales, o de no existir, con la National Electrical Code ANSI/NFPA No.70- última edición.
- La instalación de electrodomésticos destinados para casas (movibles) deben conformarse con la Manufactured Home Construction and Safety Standard, título 24CFR, parte 3280 [antiguamente la Federal Standard for Mobile Home Construction and Safety, título 24, HUD (parte 280)] o cuando este código no se aplica, la Standard for Manufactured Home Installation 1982 (Manufactured Home sites, communities and setups) ; ANSI Z225.1/NFPA 501A- última edición o con códigos locales.
- Asegúrese que el empapelado de pared alrededor de la cocina pueda resistir el calor generado por la cocina.
- Antes de instalar la cocina en una área cubierta de linóleo o cualquier otro revestidor de piso sintético, asegúrese que éste pueda resistir al

menos 90°F sobre la temperatura de la pieza sin encogerse, ladearse o descolorisarse. No instale la cocina encima de una alfombra a menos que coloque una placa de aislamineto o una plancha de 1/4" de madera entre la cocina y el alfombrado.

⚠ ADVERTENCIA Nunca deje a los niños solos o sin cuidado en el área donde el electrodoméstico está en uso. A medida que los niños crezcan, enséñeles el uso adecuado de los electrodomésticos. Nunca deje la puerta del horno abierta cuando la cocina esté sin supervisión.

⚠ ADVERTENCIA Pisar, apoyarse o sentarse en las puertas o los cajones de la cocina pueden causar graves heridas y también dañar la cocina.

- No coloque cosas que atraigan a los niños sobre los gabinetes encima de la cocina. Los niños podrían sufrir quemaduras tratando de alcanzarlos.
- Para eliminar la necesidad de ir a buscar algo por encima de los quemadores, no coloque gabinetes por encima de éstos.
- No use el horno como espacio de almacenamiento. Esto crea una situación muy peligrosa.
- Nunca use su cocina para calentar la pieza. El uso prolongado de la cocina sin ventilación adecuada puede ser peligroso.
- No guarde o use gasolina u otros vapores inflamables y líquidos cerca de éste o cualquier otro electrodoméstico. Esto podría causar una explosión o un incendio.
- Vuelva a programar todos los controles a la posición "off" (apagado) después de haber utilizado el conteo contador automático.

PARA LOS MODELOS CON AUTO-LIMPIEZA:

- Retire el rostizador, la comida y otros utensilios antes de auto-limpiar el horno. Limpie todo exceso de derrames. Siga las instrucciones para la pre-limpieza en el Manual del usuario.

Estuche de cable del suministro eléctrico

El utilizador es responsable de la conexión del cable del suministro eléctrico al bloque de conexión situado detrás del panel de acceso.

Este electrodoméstico puede ser conectado por medio de una "conexión directa" de cables permanentes (cable blindado flexible o no metálico recubierto de cobre), o por medio de un ensamblaje de cordón de suministro eléctrico. Solamente un ensamblaje de cordón de suministro eléctrico con régimen de 125/250 voltios mínimo, 40 amperios mínimo y marcado para uso con cocinas debe ser utilizado. Vea la tabla (página proxima) para información sobre el tamaño de abertura de la conexión del ensamblaje de cordón. El cordón debe de tener 3 o 4 conductores.

	<p>⚠ ADVERTENCIA</p> <ul style="list-style-type: none"> • Todas las cocinas pueden inclinarse. • Esto puede provocar lesiones personales • Instale el dispositivo anti-inclinación que viene con la cocina. 	<p>⚠ ADVERTENCIA Para reducir el riesgo de inclinación de la cocina, ésta debe estar ajustada correctamente con las fijaciones anti inclinación que vienen con la cocina. Para verificar si las fijaciones están instaladas adecuadamente, agarre la parte superior del borde posterior de la cocina y inclínela hacia adelante cuidadosamente para asegurar que la cocina está sujeta.</p>
--	---	--

INSTRUCCIONES DE INSTALACIÓN PARA LA ESTUFA ELÉCTRICA DESLIZABLE DE 30"

Para las casas sobre ruedas, las nuevas instalaciones, en los vehículos de recreación o en las áreas donde los códigos locales no permiten la conexión del conductor a tierra al neutro, un ensamblaje de suministro eléctrico de 4 conductores para estufas, clasificado a 125/250 voltios mínimo, 40 amperios mínimo, debe de ser utilizado (ver la figura 4).

Los bornes a la extremidad de los alambres deben ser a curvas cerradas o con extremidades de lenguetas en forma de U abiertas y curvadas. El cordón debe de tener una abrazadera releva de anclaje.

Ver la tabla de arriba para conexión de alambres de 3 o 4 conductores.

Tabla de tamaño de abertura de conexión de cocina				
Referirse a la tabla de arriba para el tamaño de abertura de conexión de cocina adecuada, y la información sobre el régimen de amperios del ensamblaje de cordón de suministro eléctrico.				
Vea la placa de serie de la cocina para información sobre el régimen de kilovatio.		Mínimo régimen de amperios de ensamblaje del cordón	Diámetro (pulgadas) de abierta de conexión de cocina.	
120/240 Volts 120/208 Volts			Ensamblaje del cordón	Connect. directa
8.8-16.5 Kw	7.9-12.5 Kw	40 Amp	1-3/8 pulg	1-1/8 pulg
16.6-22.5 Kw	12.6-18.5 Kw	50 Amp	1-3/8 pulg	1-3/8 pulg

Nota: La cocina corrediza eléctrica viene de fabrica con un agujero de diámetro 1-1/8" como se muestra en la figura 3. Si un agujero mas largo está necesario retire la arandela pre-cortada

ADVERTENCIA El riesgo de fuego o de choque eléctrico puede aparecer si usa el tamaño de cable incorrecto, si las instrucciones de instalación no son seguidas o si retira la abrazadera de releva.

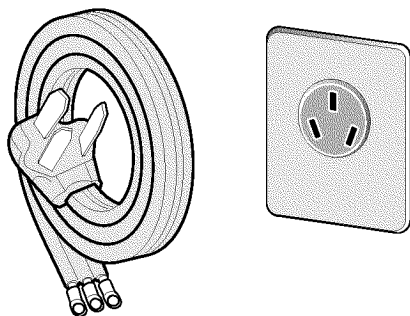


Figura 1

PRECAUCION No desajuste las tuercas que aseguran la conexión de la cocina al bloque terminal cuando esté instalandola. El corte o la pérdida de corriente eléctrica puede ocurrir.

Conexión eléctrica a la cocina.

Este electrodoméstico está fabricado con el borne neutro conectado al armazón.

ADVERTENCIA

Peligro de choque eléctrico

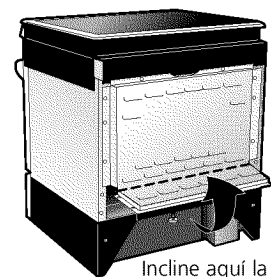
- La conexión a tierra es requerida para este electrodoméstico.
- No conecte al suministro eléctrico hasta que el electrodoméstico este conectado a tierra de manera permanente.
- Desconecte el suministro eléctrico hacia la caja de empalmes antes de hacer la conexión eléctrica.
- Este electrodoméstico debe ser conectado a un sistema de alambres permanentes, metálicos, conectados a tierra o una puesta a tierra debe ser conectada al terminal de tierra o un emplombado al electrodoméstico.

El no seguir ninguna de estas instrucciones podría causar fuego, heridas personales o choques electricos.

Conexión del cable a tres alambres la cocina.

(Un cordón flexible o cable de 3 conductores debe de ser reemplazado con un cordón flexible o cable de 4 conductores donde la conexión del conductor a tierra al neutro esta prohibida en las nuevas instalaciones, las casas sobre ruedas, los vehículos de recreación o otras áreas donde los códigos locales no permiten la conexión a tierra al neutro.) Si los códigos locales permiten la conexión del conductor a tierra del armazón al alambre neutral del cable de bronce del suministro eléctrico.(vea figura 3)

1. Retire los 3 tornillos de la parte baja de la cubierta del cable trasero (cubierta de acceso), luego levante la cubierta hacia arriba para tener acceso al bloque de conexión del borne terminal. (vea figura 2)
2. Retire las 3 tuercas desajustadas (luego de haber retirado la banda de caucho) en el bloque terminal con destornillador de tuercas o un casquillo adaptador de 3/8".



Incline aquí la cubierta del alambre trasero para tener acceso al acoplamiento eléctrico

Figura 2

3. Conecte la parte neutral del cable de bronce de suministro eléctrico al terminal plateado que se encuentra al centro del bloque terminal y, conecte los otros alambres a los terminales externos. Aparee los alambres y los terminales según el color (alambres rojos conectados al terminal derecho, alambres negros conectados al terminal izquierdo).
4. Repone las 3 tuercas desajustadas en el bloque terminal (vea figura 3).
5. Baje la cubierta del terminal y vuelva al colocar los 3 tornillos.

INSTRUCCIONES DE INSTALACIÓN PARA LA ESTUFA ELÉCTRICA DESLIZABLE DE 30"

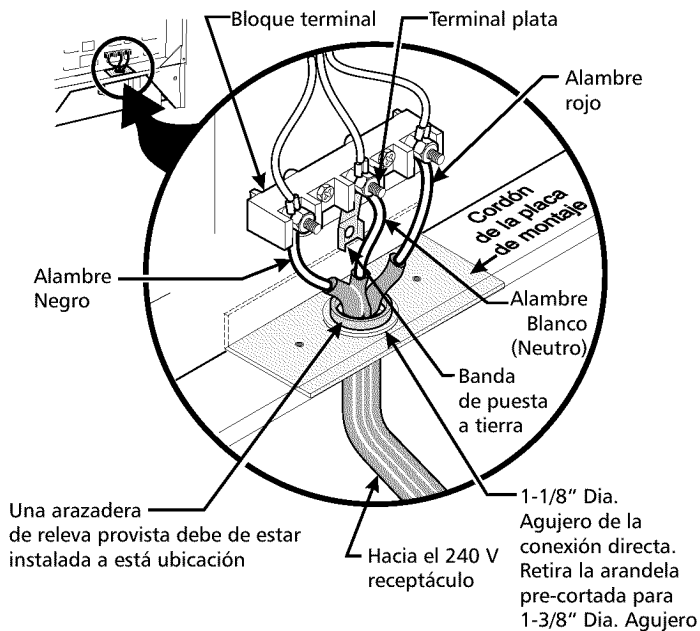


Figura 3

Conexión del cable de cuatro conductores a la cocina. (casas móviles)

1. Retire los 3 tornillos de la parte baja de la cubierta del cable trasero, luego levante la cubierta hacia arriba para tener acceso (cubierta de acceso) al bloque de conexión del borne terminal.
2. Retire las 3 tuercas desajustadas (luego de haber retirado la banda de caucho) en el bloque terminal con destornillador de tuercas o un casquillo adaptador de 3/8".
3. Retire la correa de la base del bloque terminal y del armazón del electrodoméstico. Retenga el tornillo de la base.
4. Conecte el alambre de tierra (verde) del cable de bronce del suministro eléctrico al armazón del electrodoméstico con el tornillo de la base, usando el hoyo del armazón por donde retiró la correa de la base (vea figura 4)
5. Conecte el alambre neutral (blanco) del cable de cobre del suministro eléctrico al terminal plateado del centro del bloque terminal y, conecte los otros alambres a los terminales externos.
6. Repona las 3 tuercas desajustadas en el bloque terminal (vea figura 4).
7. Baje la cubierta del terminal y vuelva al colocar los 3 tornillos.

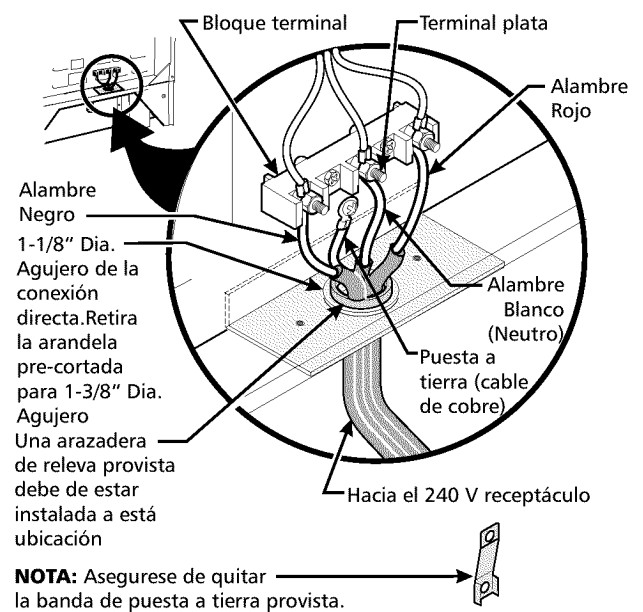


Figura 4

Conexión eléctrica directa al cortacircuito, a la caja de fusibles o la caja de empalmes

Si el aparato está conectado directamente al cortacircuito, a la caja de fusibles o a la caja de empalmes, use un cable blindado flexible o no metálico recubierto de cobre (con alambre a tierra). Provee una abrazadera relevo de anclaje homologado UL a cada extremidad del cable. A la extremidad del electrodoméstico, el cable pase a través del agujero de la conexión directa (ver figura 4) en el cordón de la placa de montaje. El tamaño de los alambres (**alambre de cobre solamente**) y las conexiones deben estar conforme al régimen del electrodoméstico.

Donde los códigos locales permitan conectar el conductor de puesta a tierra del electrodoméstico al neutral (blanco) (vea figura 5):

(Un cordón flexible o cable de 3 conductores debe de ser reemplazado con un cordón flexible o cable de 4 conductores donde la conexión del conductor a tierra al neutro esta prohibida en las nuevas instalaciones, las casas sobre ruedas, los vehículos de recreación o otras áreas donde los códigos locales no permiten la conexión a tierra al neutro.)

1. Desconecte el suministro eléctrico.
2. En el cortacircuito, la caja de fusibles o la caja de empalmes
 - a) Conecte el alambre verde (o cobre desnudo), el alambre blanco del cable del electrodoméstico y el alambre neutral (blanco) juntos.
 - b) Conecte los dos alambres negros juntos.
 - c) Conecte los dos alambres rojos juntos.

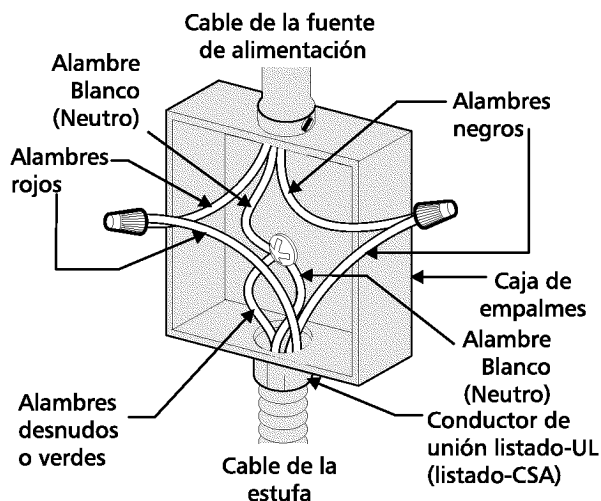


Figura 5 - Sistema eléctrico (ejemplo: caja de empalmes) de 3 alambres (a tierra neutral)

Donde los códigos locales NO permitan conectar el conductor de puesta a tierra del electrodoméstico al neutral (blanco), o si está conectado con un sistema a 4 alambres (vea figura 6):

1. Desconecte el suministro eléctrico
2. Separe el alambre verde (o cobre desnudo) y el alambre blanco del electrodoméstico.
3. En el cortacircuito, la caja de fusibles o la caja de empalmes.
 - a. Conecte el alambre blanco del cable del electrodoméstico al alambre neutral (blanco).
 - b. Conecte los 2 alambres negros juntos.
 - c. Conecte los 2 alambres rojos juntos.
 - d. Conecte el alambre verde (o de cobre desnudo) de la puesta a tierra del alambre al alambre de puesta a tierra del cortacircuito, de la caja de fusibles o de la caja de empalmes.

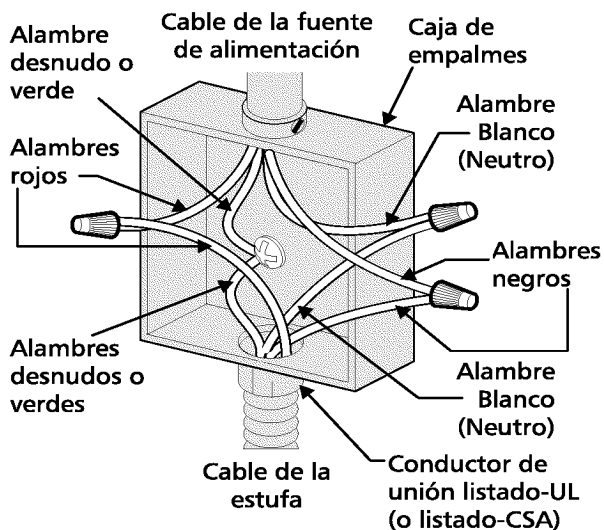


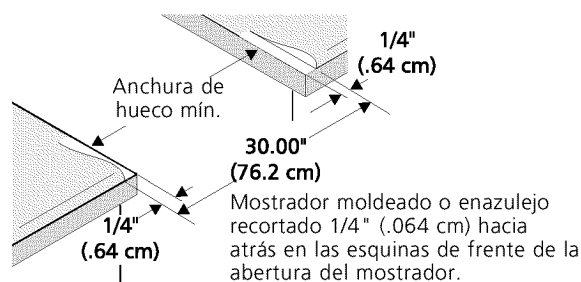
Figura 6 - Sistema eléctrico de 4 alambres (ejemplo caja de empalme)

Construcción del armario

PRECAUCIÓN Para eliminar el riesgo de quemaduras o de fuego tratando de alcanzar algo por encima de las zonas calientes, evite de colocar artículos sobre la cocina. Si cree necesitar este espacio, el riesgo puede disminuir si instala un sombrero que proteja horizontalmente un mínimo de 5" (12.7cm) sobre la base del armario.

Preparación del mostrador

- Las extremidades de la cocina sobrepasan el borde de su mostrador.
- Si tiene un **mostrador con las extremidades cuadradas (planas)**, no se necesita ninguna preparación del mostrador.
- **El reborde de frente de mostradores moldeados** deben tener bordes moldeados a 1/4" (0,64cm) a partir de cada extremidad de la apertura.
- **Los mostradores enazulejos** deberán necesitar un recorte de 1/4" (0.64cm) a partir de cada extremidad y/o un borde redondeado aplanado.



- **Si el ancho de la abertura del mostrador es más grande que el ancho del corte minimal**, ajuste a las dimensiones como para el 1/4" (0.64).
- **El mostrador deber ser nivelado.** Coloque un nivelador sobre el mostrador, primero de lado a lado y luego del frente hacia atrás. Si el mostrador no está nivelado, la cocina no estará nivelada. El horno debe ser nivelado para tener resultados satisfactorios al hornear. Las extremidades de la plancha de la cocinar sobrepasan los bordes de la abertura del mostrador.

INSTRUCCIONES DE INSTALACIÓN PARA LA ESTUFA ELÉCTRICA DESLIZABLE DE 30"

Instalación de la cocina.

⚠ PRECAUCIÓN Cuando desempaque la cocina, no deseche los 2 pernos que vienen con el envío. Estos son colocados en la parte trasera de la unidad y sirven para levantar y nivelar la cocina. Deseche los 2 otros pernos, estos son necesarios para el envío únicamente. Este aparato está equipado con un nuevo sistema que le permite de nivelarlo después que lo haya instalado en el corte.

Instalación sin panel(es) lateral(es).

1. La plancha de cocinar se sobrepone por encima del mostrador con sus extremidades y la cocina reposa sobre el suelo. La plancha de cocinar es 30" (76,2 cm) de ancho.
2. Instale la base de los armarios a 29" (73.7 cm) de espacio entre ellas. Asegúrese que estos estén verticales y alineados antes de instalar la plancha de cocinar. Lije el borde del mostrador para obtener las 30" en la parte superior del mostrador.
3. Instale las puertas del armario a 31" (78,7 cm) de espacio entre ellas para que no interfieran con la abertura de la puerta de la cocina.
4. Corte el mostrador exactamente como en la página 1.
5. Puede pedir un juego de repuesto con su representante.

Para los modelos equipados con un sistema de dispositivo de nivelación:

6. Cuando desempaque la cocina, el dispositivo trasero para nivelarla se encuentra al más alto nivel al cual puede llegar. Asegúrese que las patas delanteras estén también al más alto nivel.
7. Instale el soporte anti-inclinación de acuerdo a las instrucciones del patrón anti-inclinación (si no lo tiene vea la página 8).
8. Deslice la cocina en el corte del mostrador.
9. **Nivele la cocina. El piso donde se instala la cocina debe estar nivelado.** Siga las instrucciones "nivelación de la estufa- modelos equipados con un sistema de dispositivo de nivelación".

Para los modelos equipados con las patas niveladoras:

6. Ajuste a las piernas de nivelación de manera que la parte de abajo de la plancha de cocinar esté apoyada contra el mostrador.
7. **Nivele la cocina. El piso donde se instala la cocina debe estar nivelado.** Siga las instrucciones "nivelación de la estufa- modelos equipados con las patas niveladoras".

Instalación con panel(es) lateral(es).

1. Instale la base de los armarios a 30 1/8" (76.5 cm) de espacio entre ellas. Asegúrese que estén verticales y niveladas.

2. Instale las puertas de los armarios a 31" (78.7 cm) de espacio entre ellas para que no interfieran con la abertura de la puerta de la cocina.
3. Puede pedir un juego de repuesto con su representante.
4. Un juego de termino de panel puede ser pedido con su representante.
5. Siga las etapas 6 a 9 indicadas anteriormente.

Instalación con el repuesto.

La profundidad del corte de 21 5/8" (55 cm) necesita ser aumentada a 24" (61 cm) cuando instala el repuesto.

Nivelación de la estufa - Para los modelos equipados con un sistema de dispositivo de nivelación.

Nivele la cocina después de haberla instalado en la abertura del mostrador.

1. Abra la gaveta y retire las dos tapas metálicas.
2. Baje el aparato, las 4 patas de nivelación alternadamente, hasta que la parte baja de la superficie de cocción repose sobre el mostrador. (figura 7)

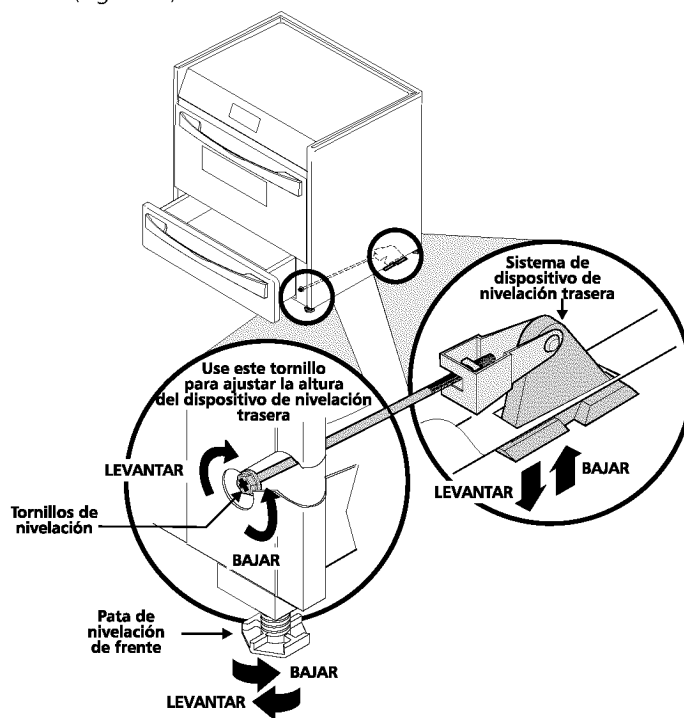


Figura 7

3. Verifique si la cocina está nivelada colocando una parrilla en el centro del horno y poniendo un nivel sobre esta (figura 8).
4. Mida dos veces con el nivel en posición diagonal en una dirección y luego en otra. Nivele la cocina si es necesario ajustando las patas de nivelación.

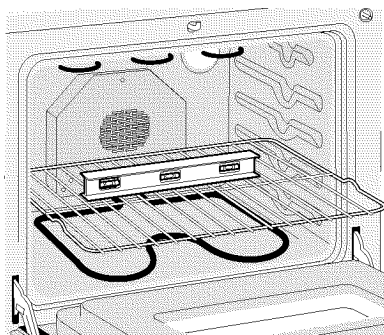


Figura 8

5. Si al cocina no se nivela, asegúrese que el piso este nivelado.
6. Vuelva a colocar las tapas metálicas en su posición original.

Nivelación de la estufa - Para los modelos equipado con las patas niveladoras.

Nivele la estufa y ajuste la altura de la estufa antes de instalarla en la abertura.

1. Coloque una parrilla del horno en el centro del horno.
2. Ponga un nivel sobre la parrilla (figura 8). Tome dos lecturas con el nivel puesto diagonalmente en una dirección y después en la otra. Nivele la estufa, si es necesario, ajustando las 4 patas niveladoras con una llave de tuercas.
3. Asegúrese de no dañar al mostrador, deslice la estufa dentro de la abertura del hueco y vuelva a verificar a la nivelación. Si la estufa no está nivelada, arranque el electrodoméstico y vuelva a ajustar a las piernas o asegúrese que el suelo está nivelado.

Verificación del funcionamiento.

Consulte el Manual del usuario que viene con la cocina para las instrucciones de funcionamiento, el cuidado y la limpieza de su cocina.

⚠ PRECAUCION No toque los elementos. Pueden estar lo suficientemente calientes para causar quemaduras.

Retire todo embalaje del horno y la gaveta de entibiado (si está equipado) antes de verificar el funcionamiento.

1. Utilización de los elementos de superficie

Gire cada uno de los cuatro elementos de superficie y verifique si están calentando. Verifique la luz o los luces del indicador del elemento de superficie, si está equipado.

2. Utilización de los elementos del horno.

El horno está equipado con un sistema electrónico. Cada función ha sido verificada desde fábrica antes del envío. Sin embargo, se recomienda que verifique la operación del horno electrónico una vez más. Consulte el Manual del usuario. Siga las instrucciones para poner en

funcionamiento el reloj, el contador de tiempo, el horno, el asador, el horno de convección (en algunos modelos) y el sistema de limpieza.

Hornear- Después de poner el horno a 350°F(177°C) para hornear, el elemento de la parte de bajo del horno debe ponerse rojo.

Asar- Cuando se pone el horno para asar (BROIL), el elemento de arriba del horno debe ponerse rojo.

Limpieza- Cuando el horno se pone en el ciclo para que se limpie a si mismo, el elemento de arriba debe ponerse rojo durante la parte de pre-calentamiento del ciclo de limpieza. Después de que llegue a la temperatura adecuada de limpieza, el elemento de calentamiento inferior se encenderá y debe ponerse rojo.

Horno de convección (algunos modelos)- cuando el horno se pone PARA HORNEAR O ASAR CON CONVECCIÓN a 350 F (177 C), el elemento de convección alterne entre prendido y apagado. El ventilador de convección empezará a funcionar. El ventilador de convección se parará cuando se abra la puerta del horno cuando se está horneando o asando con convección.

Gaveta de entibiado (algunos modelos)- Ajuste la perilla de control a HI y verifique si la gaveta está calentando.

Cuando todas las conexiones están completadas.

Asegúrese que todos los controles se dejen en la posición de apagado (OFF).

Localización del modelo y del número de serie.

La placa con el número de serie se puede encontrar en la parte interior de la puerta del horno (algunos modelos) o detrás de la gaveta (algunos modelos).

Cuando pida componentes o desee obtener informaciones sobre su cocina, asegúrese de incluir el modelo y el número de serie o una letra o número de la placa con el número de serie de su cocina.

Antes de llamar al servicio de reparaciones.

Lea la lista de verificación Evitando llamados de servicio y las instrucciones de operación en el Manual del usuario . Esto le puede ahorrar tiempo y dinero. La lista incluye situaciones comunes que no son el resultado de fabricación o de piezas defectuosas.

Consulte la garantía y la información sobre el servicio en su Manual del usuario para obtener nuestro número de teléfono y dirección. Por favor llámenos o escriba si desea información sobre su producto o si desea pedir componentes.

Instrucciones de instalación de la fijación anti-inclinación - Para los modelos equipados con un sistema de dispositivo de nivelación.

⚠️ ADVERTENCIA Para reducir el riesgo de inclinación de la cocina, ésta debe ser asegurada hacia el piso con las fijaciones de anti-inclinación y los tornillos que vienen con la cocina. Estos componentes se encuentran en el horno. Si no instala las fijaciones, corre el riesgo que su cocina pueda inclinarse si pone demasiado peso en ella o si un niño sube sobre ésta. Esto podría ocasionar graves heridas causadas por líquidos calientes o por la propia cocina.

Siga estas instrucciones para instalar las fijaciones de anti-inclinación.

Si la cocina es trasladada a otro lugar, las fijaciones de anti-inclinación deben también ser trasladadas con la cocina.

Herramientas necesarias:

- Llave de tuerca ajustable
- Trinquete
- Taladro eléctrico con barrena de 1/8"
- Aprietatuercas de 5/16"
- Nivel

Abrazadera sujeta al suelo en la parte trasera de la cocina para tener asida la pata ubicada en la parte posterior de la cocina. Al fijarla al suelo, verificar que los tornillos no atraviesen la instalación eléctrica o de fontanería. Los tornillos provistos sirven para madera o concreto.

1. Marque en el suelo una línea (en frente al hueco) dónde llegue el armario (y no dónde llegue el contorno de la placa).

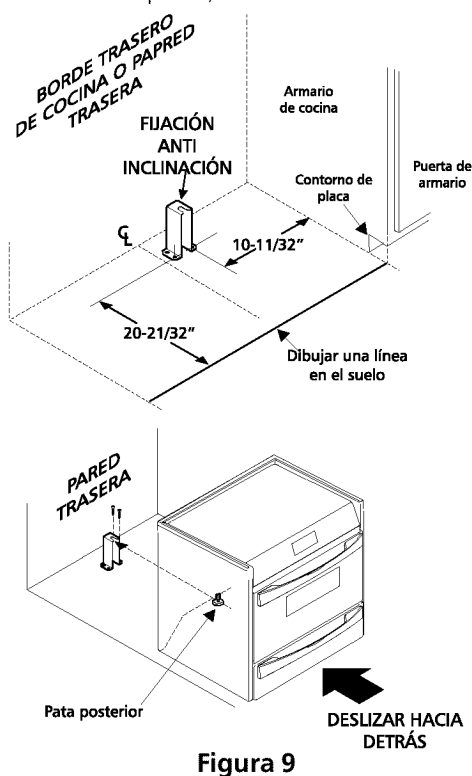


Figura 9

2. Despliegue el papel modelo y situarlo plano en el suelo con los bordes de frente y laterales ubicados exactamente sobre la línea del armario que acabe de dibujar. (Utilice el diagrama de abajo para situar las fijaciones si no viene incluido en el modelo). (figura 9).
3. Marque en el suelo la ubicación de los cuatro orificios de montaje que aparecen en el modelo. Para facilitar la instalación se pueden hacer en el suelo orificios pilotos de 3/16" de diámetro de 1/2" de profundidad.
4. Retire el modelo y ubique la abrazadera en el suelo. Alinee los orificios en la abrazadera con las marcas en el suelo y ajuste con los cuatro tornillos provistos. La abrazadera debe quedar fijada al suelo (figura 10) sólido. Si se fija al suelo concreto, primero haga orificios pilotos de un diámetro de 3/16", utilizando una barrena para concreto.
5. Asegúrese que las 4 patas de nivelación están en la más alta posición posible.
6. Deslice la cocina hacia su lugar asegurándose que la pata de centro trasera está completamente segura con el soporte anti-inclinación (figura 9). Baje la cocina ajustando las 4 patas de nivelación hasta que la plancha de cocinar esté apoyada en el mostrador. Refiere a la "Nivelación de la cocina" a la página 6.
7. Después de haber realizado la instalación verifique que la fijación anti-inclinación está empotrada abriendo la gaveta de entibiado y mirando en la abertura del panel trasero. Si una gaveta de almacenamiento está provista en lugar de una gaveta de entibiado, abra la gaveta, retire la gaveta y verifique para asegurarse que está empotrada.

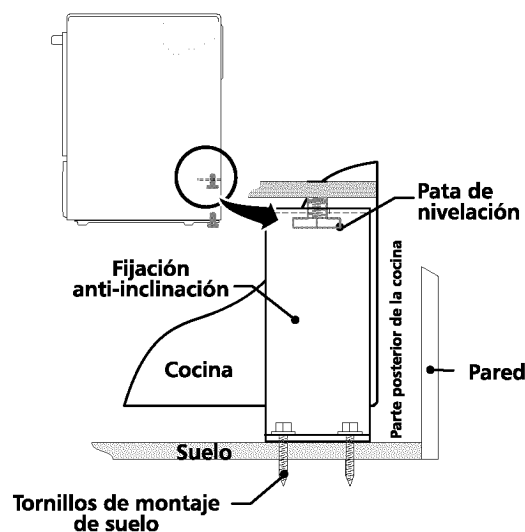


Figura 10

Instrucciones de instalación de la fijación anti-inclinación - Para los modelos equipado con las patas niveladoras.

⚠️ ADVERTENCIA Para reducir el riesgo de inclinación de la cocina, ésta debe ser asegurada hacia el piso con las fijaciones de anti-inclinación y los tornillos que vienen con la cocina. Estos componentes se encuentran en el horno. Si no instala las fijaciones, corre el riesgo que su cocina pueda inclinarse si pone demasiado peso en ella o si un niño sube sobre ésta. Esto podría ocasionar graves heridas causadas por líquidos calientes o por la propia cocina.

Siga estas instrucciones para instalar las fijaciones de anti-inclinación.

Si la cocina es trasladada a otro lugar, las fijaciones de anti-inclinación deben también ser trasladados con la cocina. Para controlar la instalación apropiada, vea el paso número 5.

Herramientas Necesarias:

Llave de tuerca de 5/16" o destornillador para tornillos de cabeza plana
 Llave inglesa
 Taladro eléctrico
 Broca de 3/16" de diámetro
 Broca para taladro de mampostería de 3/16" de día. (si se está instalando en concreto)

Los soportes se fijan al suelo en la parte trasera de la estufa para sujetar ambos niveladores de las patas traseras. Cuando los esté instalando al piso, asegúrese de que los tornillos no penetren el alambrado eléctrico o plomería. Los tornillos provistos pueden utilizarse en madera o concreto.

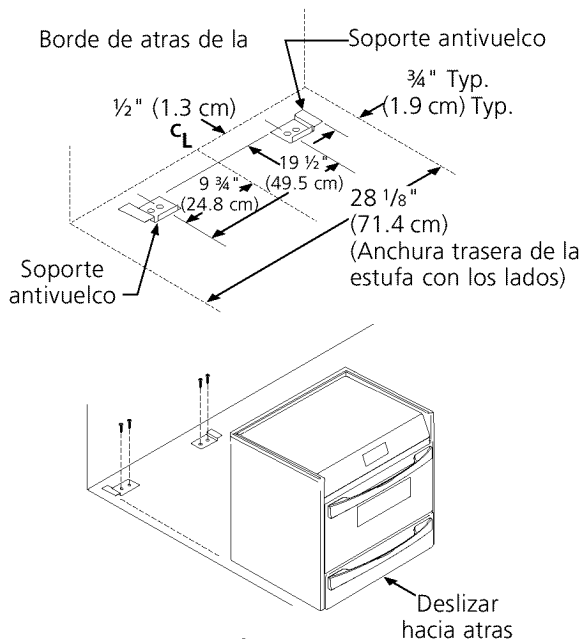


Figura 11

1. Desdoble la plantilla de papel y colóquela plana en el piso con los bordes laterales y el trasero colocados exactamente donde la parte trasera y los lados de la estufa serán colocados cuando sea instalada. (Use el diagrama siguiente para ubicar los soportes si no se dispone de la plantilla).
2. Marque en el piso la ubicación de los 4 agujeros de montaje como se muestra en la plantilla. Para facilitar la instalación, se pueden taladrar agujeros piloto de 3/16" (0.5 cm) de día. y 1/2" (1.3 cm) de profundidad en el piso.
3. Saque la plantilla y coloque los soportes en el piso con la brida hacia arriba dirigida hacia el frente. Alinee los agujeros en los soportes con las marcas en el piso y sujete con los 4 tornillos provistos. Los soportes deben estar asegurados al piso firme. Si se va a instalar en piso de concreto, primero debe taladrar agujeros guía de 3/16" (0.5 cm) de diámetro usando una broca para taladro de mampostería.
4. Nivele la estufa si es necesario ajustando las cuatro patas niveladoras con una llave (Ver la Figura 12 abajo). Se requiere un espacio libre mínimo de 1/8" (0.8 cm) entre la parte inferior de la estufa y los niveladores de las patas traseras para dejar espacio para los soportes antivuelco.
5. Deslice la estufa a su lugar asegurándose de que las patas traseras estén sujetas por los extremos de los soportes. La estufa puede necesitar ser movida ligeramente a un lado cuando está siendo empujada hacia atrás para permitir que las patas se alineen con los soportes. Usted también puede asir el borde trasero de la cima de la estufa y cuidadosamente intentar voltearla para asegurarse de que la estufa sea adecuadamente anclada.

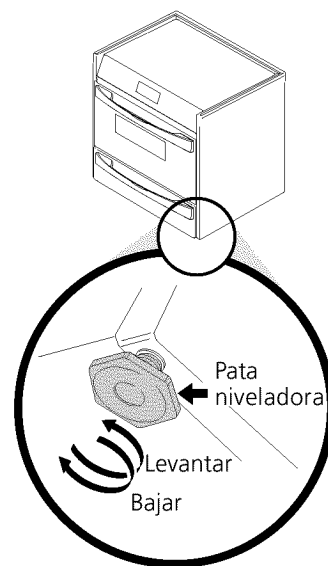


Figura 12

Notas