

Installation Instructions
Instrucciones de instalación
Instructions pour l'installation
English / Español / Français

Kenmore®

Top-Load Washer

Lavador de Carga Superior

Laveuse à Chargement Superior

Table of Contents

WASHER SAFETY	2	INSTALLATION INSTRUCTIONS	5
INSTALLATION REQUIREMENTS	2	Before you start: remove shipping materials	5
Tools and Parts	2	Connect Drain Hose	6
Location Requirements	3	Connect Inlet Hoses	6
Drain System	4	Level Washer.....	7
Electrical Requirements.....	4	Complete Installation Checklist	8

Índice

SEGURIDAD DE LA LAVADORA.....	9	INSTRUCCIONES DE INSTALACIÓN	12
REQUISITOS DE INSTALACIÓN	9	Antes de comenzar: quite los materiales	
Herramientas y piezas.....	9	de transporte	12
Requisitos de ubicación	10	Conexión de la manguera de desagüe.....	13
Sistema de desagüe.....	11	Conexión de las mangueras de entrada.....	14
Requisitos eléctricos.....	11	Nivelación de la lavadora	15
		Complete la instalación	16

Table des matières

SÉCURITÉ DE LA LAVEUSE	17	INSTRUCTIONS D'INSTALLATION	20
EXIGENCES D'INSTALLATION	17	Avant de commencer : retrait du matériel d'expédition	20
Outillage et pièces	17	Raccordement du tuyau de vidange	21
Exigences d'emplacement	18	Raccordement des tuyaux d'arrivée d'eau	22
Système de vidange	19	Établissement de l'aplomb de la laveuse	23
Spécifications électriques.....	19	Liste de vérification pour l'achèvement	
		de l'installation.....	Couverture arrière



P/N W10682739A
Sears Brands Management Corporation
Hoffman Estates, IL 60179 U.S.A.
www.kenmore.com
www.sears.com

Sears Canada Inc.
Toronto, Ontario, Canada M5B 2C3
www.sears.ca

WASHER SAFETY

Your safety and the safety of others are very important.

We have provided many important safety messages in this manual and on your appliance. Always read and obey all safety messages.



This is the safety alert symbol.

This symbol alerts you to potential hazards that can kill or hurt you and others.

All safety messages will follow the safety alert symbol and either the word "DANGER" or "WARNING."

These words mean:

! DANGER

You can be killed or seriously injured if you don't immediately follow instructions.

! WARNING

You can be killed or seriously injured if you don't follow instructions.

All safety messages will tell you what the potential hazard is, tell you how to reduce the chance of injury, and tell you what can happen if the instructions are not followed.

INSTALLATION NOTES

Date of purchase: _____

Model number: _____

Date of installation: _____

Serial number: _____

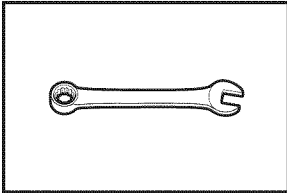
Installer: _____

INSTALLATION REQUIREMENTS

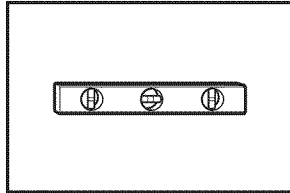
Tools and Parts

Gather required tools and parts before starting installation.

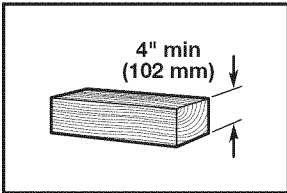
Tools needed:



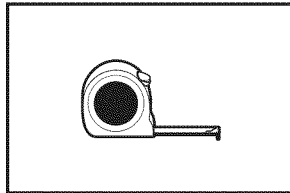
Adjustable or open end wrench 9/16" (14 mm)



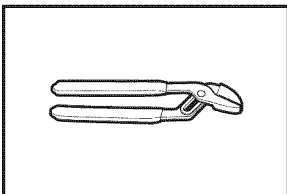
Level



Wood block

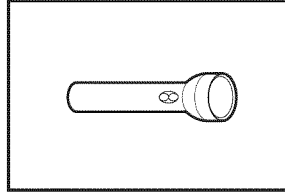


Ruler or measuring tape

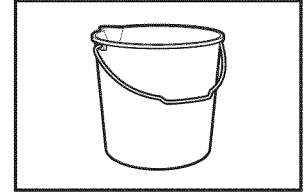


Pliers that open to 1 3/4" (44.5 mm)

Optional tools:



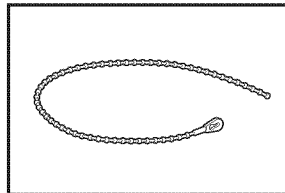
Flashlight



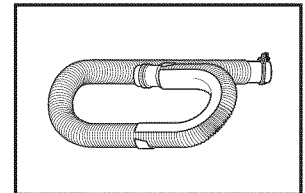
Bucket

Parts supplied:

NOTE: All parts supplied for installation are in cardboard insert in the top of the washer.

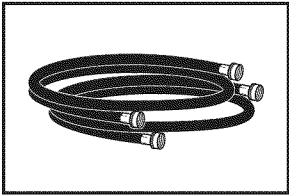


Beaded tie strap



Drain hose with clamp

Parts needed: (Not supplied with washer)



Inlet hoses with flat washers

To order, please refer to toll-free phone numbers on back page of your Use and Care Guide.

- 8212656RP 10 ft. (3.0 m) Inlet hose, Black EPDM (2 pack)
- 8212641RP 5 ft. (1.5 m) Inlet hose, Black EPDM (2 pack)
- 8212546RP 4 ft. (1.2 m) Inlet hose, Black EPDM (2 pack)
- 8212545RP 5 ft. (1.5 m) Inlet hose, Red and Blue EPDM (2 pack)
- 8212487RP 5 ft. (1.5 m) Nylon braided inlet hose (2 pack)
- 8212638RP 6 ft. (1.8 m) Nylon braided inlet hose, space saving 90° elbow, hypro-blue steel couplings (2 pack)
- 8212637RP 6 ft. (1.8 m) Inlet hose, Black EPDM, space saving 90° elbow, hypro-blue steel couplings (2 pack)

Alternate parts: (Not supplied with washer)

Your installation may require additional parts. To order, please refer to toll-free numbers on back page of your Use and Care Guide.

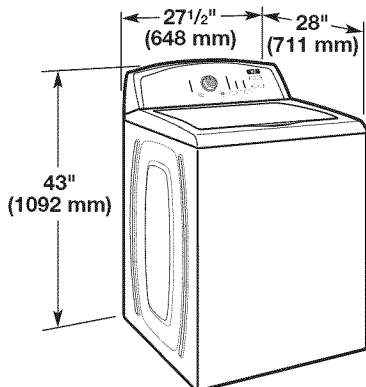
If you have:

You will need:

- | | |
|----------------------|---|
| Overhead sewer | Standard 20 gal. (76 L) 39" (990 mm) tall drain tub or utility sink, sump pump and connectors (available from local plumbing suppliers) |
| 1" (25 mm) standpipe | 2" (51 mm) diameter to 1" (25 mm) diameter Standpipe Adapter Part Number 3363920
Connector Kit Part Number 285835 |
| Drain hose too short | Extension Drain Hose Part Number 285863
Connector Kit Part Number 285835 |
| Lint clogged drain | Drain Protector Part Number 367031
Connector Kit Part Number 285835 |

LOCATION REQUIREMENTS

Select proper location for your washer to improve performance and minimize noise and possible "washer walk". Install your washer in a basement, laundry room, closet, or recessed area.



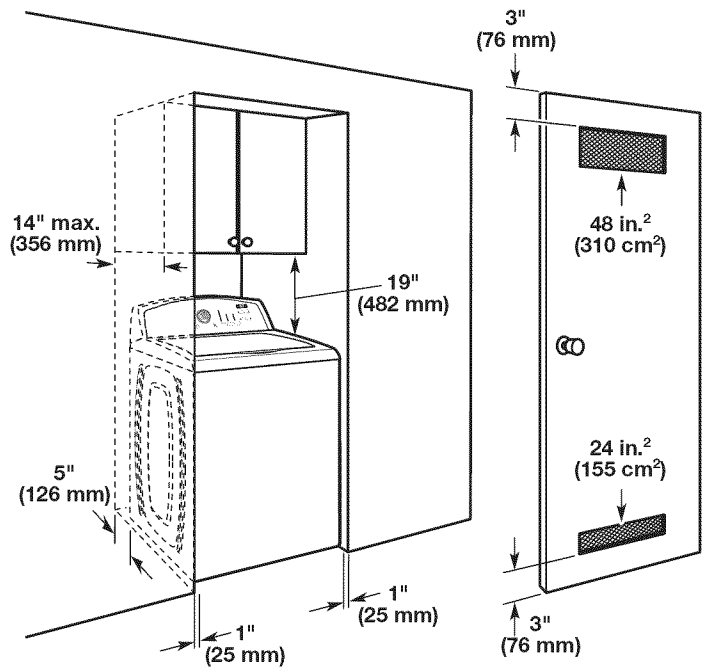
You will need:

- A water heater set to 120° F (49° C).
- A grounded electrical outlet located within 4 ft (1.2 m) of power cord on back of washer.
- Hot and cold water faucets located within 3 ft (0.9 m) of hot and cold water fill valves on washer, and water pressure of 20-100 psi (138-690 kPa).
- A level floor with maximum slope of 1" (25 mm) under entire washer. Installing on carpet is not recommended.
- Floor must support washer's total weight (with water and load) of 315 lbs (143 kgs).

IMPORTANT: Do not install, store, or operate washer where it will be exposed to weather or in temperatures below 32° F (0° C). Water remaining in washer after use may cause damage in low temperatures. See "Washer Care" in your Use and Care Guide for winterizing information.

Proper installation is your responsibility.

Recessed area or closet installation

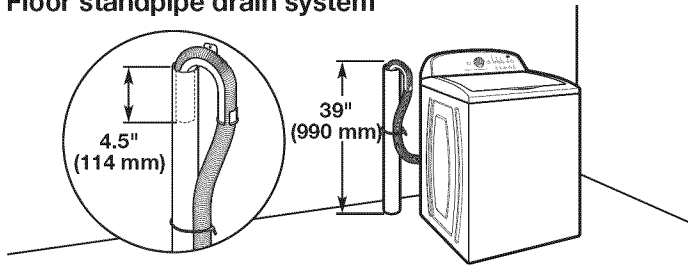


Dimensions show recommended spacing allowed, except for closet door ventilation openings which are minimum required. This washer has been tested for installation with spacing of 0" (0 mm) clearance on the sides. Consider allowing more space for ease of installation and servicing, and spacing for companion appliances and clearances for walls, doors, and floor moldings. Add spacing of 1" (25 mm) on all sides of washer to reduce noise transfer. If a closet door or louvered door is installed, top and bottom air openings in door are required.

DRAIN SYSTEM

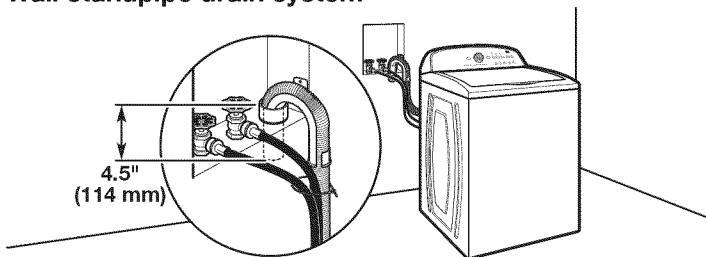
Drain system can be installed using a floor drain, wall standpipe, floor standpipe, or laundry tub. Select method you need.

Floor standpipe drain system



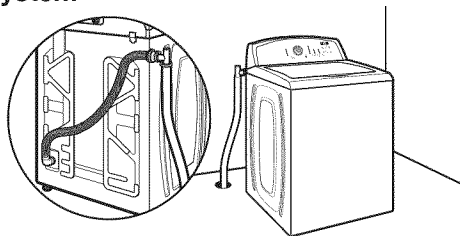
Minimum diameter for a standpipe drain: 2" (51 mm). Minimum carry-away capacity: 17 gal. (64 L) per minute. Top of standpipe must be at least 39" (990 mm) high; install no higher than 96" (2.44 m) from bottom of washer. If you must install higher than 96" (2.44 m), you will need a sump pump system.

Wall standpipe drain system



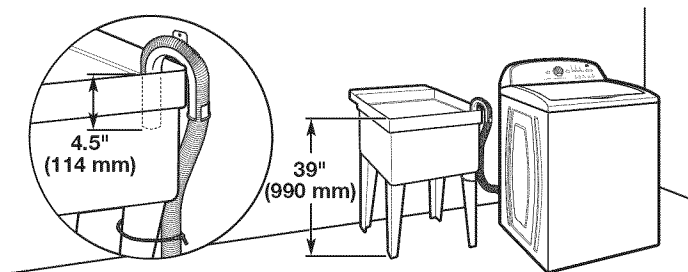
See requirements for floor standpipe drain system.

Floor drain system



Floor drain system requires a Siphon Break Kit (Part Number 285834), 2 Connector Kits (Part Number 285835), and an Extension Drain Hose (Part Number 285863) that may be purchased separately. To order, please see toll-free phone numbers in your Use and Care Guide. Minimum siphon break: 28" (710 mm) from bottom of washer. (Additional hoses may be needed.)

Laundry tub drain system



Minimum capacity: 20 gal. (76 L). Top of laundry tub must be at least 39" (990 mm) above floor; install no higher than 96" (2.44 m) from bottom of washer.

IMPORTANT: To avoid siphoning, no more than 4.5" (114 mm) of drain hose should be inside standpipe or below the top of wash tub. Secure drain hose with beaded tie strap.

ELECTRICAL REQUIREMENTS

⚠ WARNING



Electrical Shock Hazard

Plug into a grounded 3 prong outlet.

Do not remove ground prong.

Do not use an adapter.

Do not use an extension cord.

Failure to follow these instructions can result in death, fire, or electrical shock.

- A 120 volt, 60 Hz., AC only, 15- or 20-amp, fused electrical supply is required. A time-delay fuse or circuit breaker is recommended. It is recommended that a separate circuit breaker serving only this appliance be provided.
- This washer is equipped with a power supply cord having a 3 prong grounding plug.
- To minimize possible shock hazard, the cord must be plugged into a mating, 3 prong, grounding-type outlet, grounded in accordance with local codes and ordinances. If a mating outlet is not available, it is the personal responsibility and obligation of the customer to have the properly grounded outlet installed by a qualified electrician.
- If codes permit and a separate ground wire is used, it is recommended that a qualified electrician determine that the ground path is adequate.
- Do not ground to a gas pipe.
- Check with a qualified electrician if you are not sure the washer is properly grounded.
- Do not have a fuse in the neutral or ground circuit.

GROUNDING INSTRUCTIONS

For a grounded, cord-connected washer:

This washer must be grounded. In the event of a malfunction or breakdown, grounding will reduce the risk of electrical shock by providing a path of least resistance for electric current. This washer is equipped with a cord having an equipment-grounding conductor and a grounding plug. The plug must be plugged into an appropriate outlet that is properly installed and grounded in accordance with all local codes and ordinances.

WARNING: Improper connection of the equipment-grounding conductor can result in a risk of electric shock. Check with a qualified electrician or serviceman if you are in doubt as to whether the appliance is properly grounded.

Do not modify the plug provided with the appliance – if it will not fit the outlet, have a proper outlet installed by a qualified electrician.

For a permanently connected washer:

This washer must be connected to a grounded metal, permanent wiring system, or an equipment grounding conductor must be run with the circuit conductors and connected to the equipment-grounding terminal or lead on the appliance.

INSTALLATION INSTRUCTIONS

⚠ WARNING

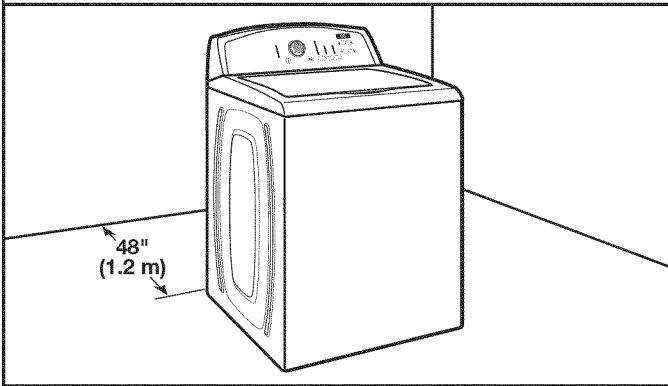
Excessive Weight Hazard

Use two or more people to move and install washer.
Failure to do so can result in back or other injury.

Before you start: remove shipping materials

It is necessary to remove all shipping materials for proper operation and to avoid excessive noise from washer.

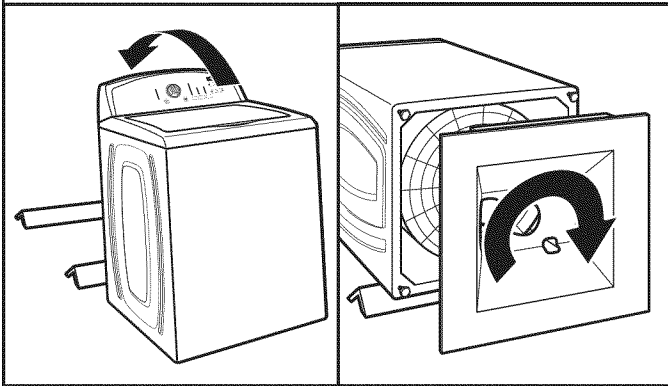
1. Move washer



Move washer to within 48" (1.2 m) of its final location; it must be in a fully upright position.

NOTE: To avoid floor damage, set washer onto cardboard before moving it and make sure lid is taped shut.

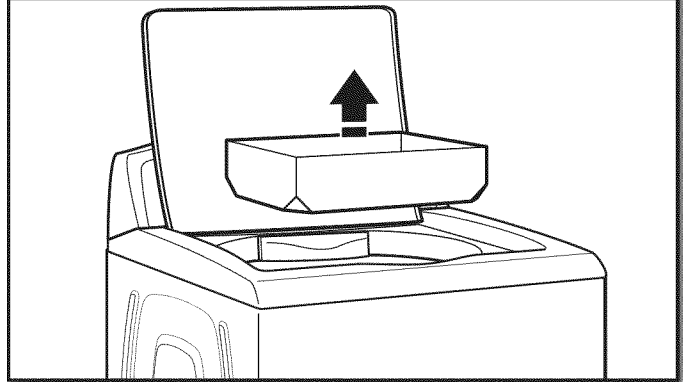
2. Remove shipping base



To avoid damaging floor, place cardboard supports from shipping carton on floor behind washer. Tip washer back and place on cardboard supports. Remove shipping base by rotating base 90° to the right. Set washer upright.

IMPORTANT: Removing shipping base is necessary for proper operation. If your washer includes a sound shield, please refer to the instructions included with the sound shield to install it at this time.

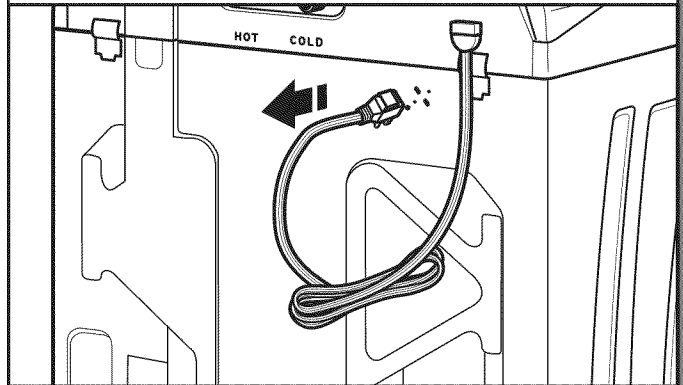
3. Remove packing tray from tub



Remove tape from washer lid, open lid and remove cardboard packing tray from tub. Be sure to remove all parts from tray.

NOTE: Keep tray in case you need to move washer later.

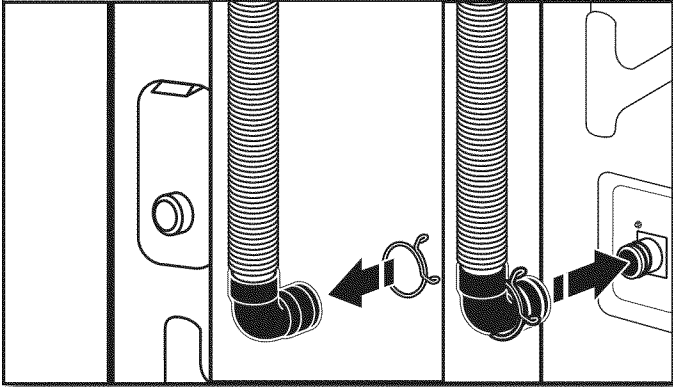
4. Free power cord



Firmly grasp power cord plug and pull to free from rear panel. Gently place power cord over console to allow free access to back of washer.

CONNECT DRAIN HOSE

5. Attach drain hose to drain port

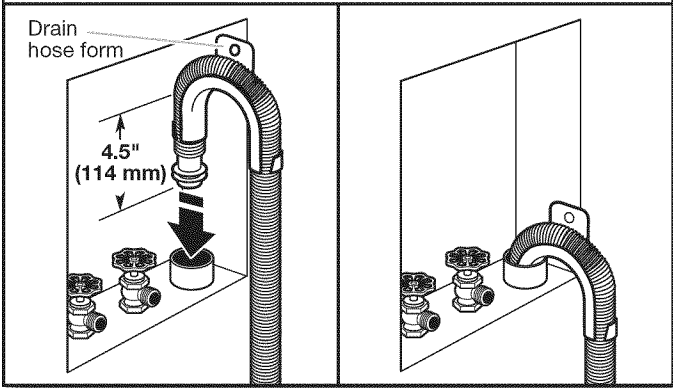


If clamp is not already in place on elbow end of drain hose, slide it over end as shown. Squeeze clamp with pliers and slide black elbow end of drain hose onto black drain port and secure with clamp.

For a laundry tub or standpipe drain, go to step 6.

For a floor drain, remove the preinstalled drain hose form as shown in Step 7. You may need additional parts with separate directions. See "Tools and Parts".

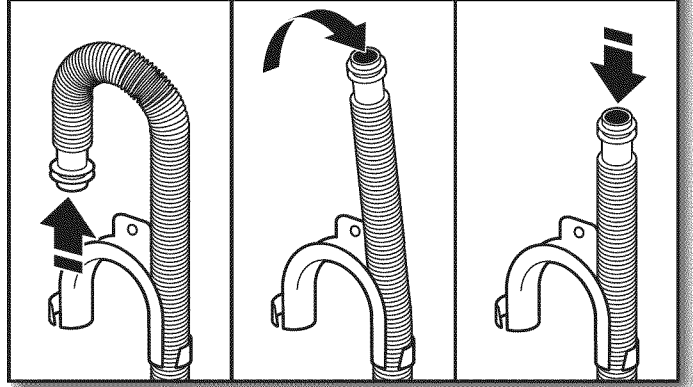
6. Place drain hose in standpipe



Place hose into standpipe (shown in picture) or over side of laundry tub.

IMPORTANT: 4.5" (114 mm) of drain hose should be inside standpipe; do not force excess hose into standpipe or lay on bottom of laundry tub. Drain hose form must be used.

7. Remove drain hose form (floor drain installations only)



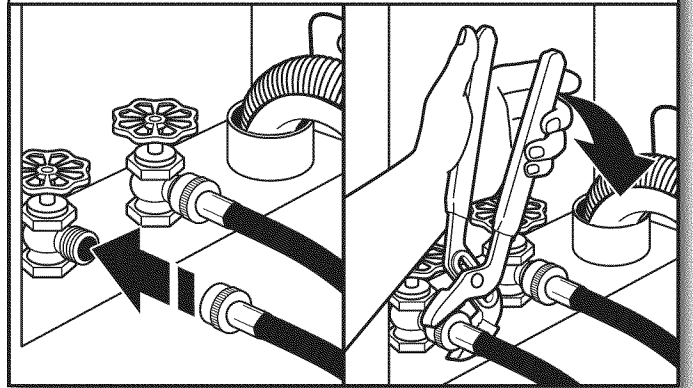
For floor drain installations, you will need to remove the drain hose form from the end of the drain hose. You may need additional parts with separate directions. See "Tools and Parts".

CONNECT INLET HOSES

Washer must be connected to water faucets with new inlet hoses with flat washers (not provided). Do not use old hoses.

NOTE: Both hoses must be attached and have water flowing to inlet valves. If you are only connecting to a cold water faucet, you must use a Y-adaptor (not provided).

8. Connect inlet hoses to water faucets

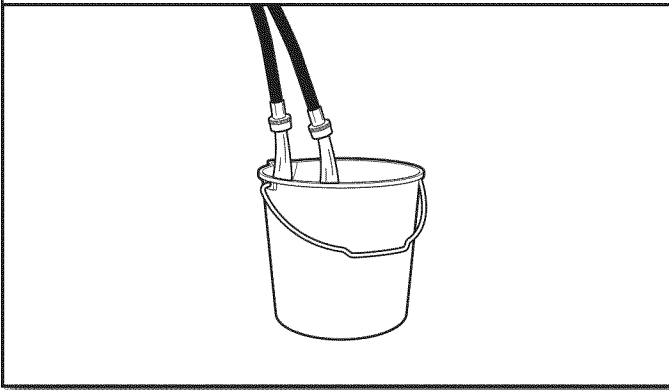


Verify location of hot and cold faucets. Attach hose to hot water faucet. Screw on coupling by hand until it is seated on washer. Use pliers to tighten couplings an additional two-thirds turn. Repeat this step with second hose for cold water faucet.

IMPORTANT: Do not overtighten or use tape or sealants on valve when attaching to faucets or washer. Damage can result.

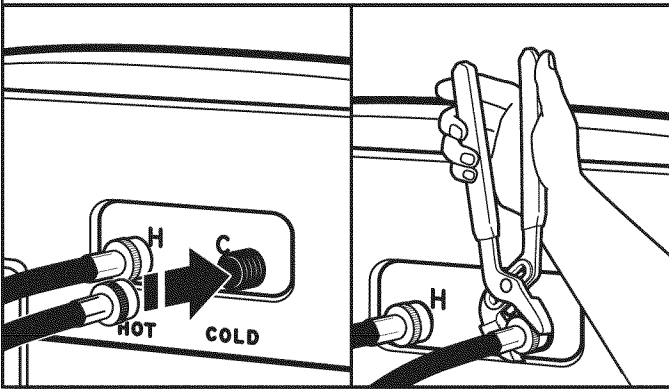
HELPFUL TIP: Make note of which hose is connected to hot water to help in attaching hoses to washer correctly. In most standard configurations, hoses will cross over each other when attached correctly.

9. Clear water lines



Run water for a few seconds through hoses into a laundry tub, drainpipe, or bucket to prevent clogs. Water should run until clear.

10. Connect inlet hoses to washer

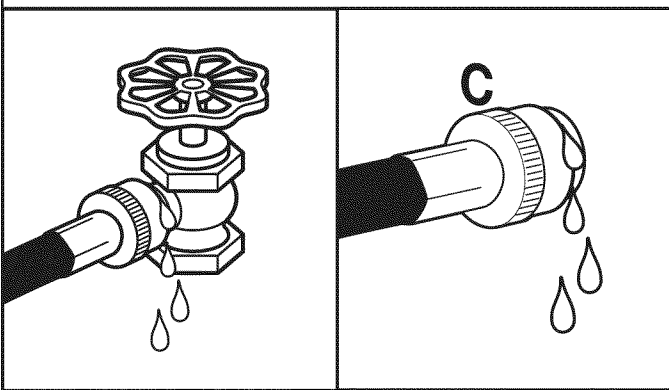


Attach hot water hose to hot water inlet valve marked with a red ring. Screw coupling by hand until it is snug. Use pliers to tighten couplings an additional two-thirds turn. Repeat with cold water inlet valve.

IMPORTANT: To reduce risk of hose failure, replace the hoses every 5 years. Record hose installation or replacement dates for future reference.

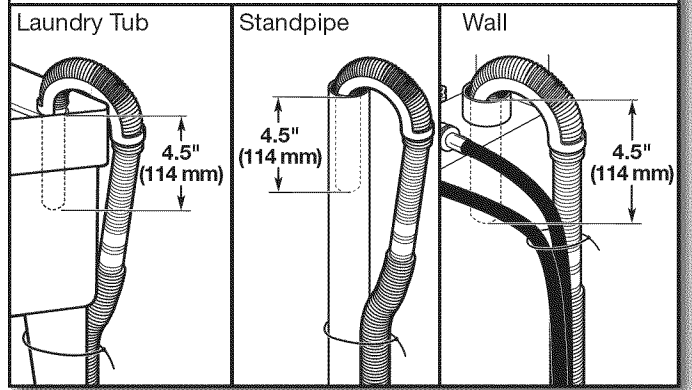
- Periodically inspect and replace hoses if bulges, kinks, cuts, wear, or leaks are found.

11. Check for leaks



Turn on water faucets to check for leaks. A small amount of water may enter washer. It will drain later.

12. Secure drain hose

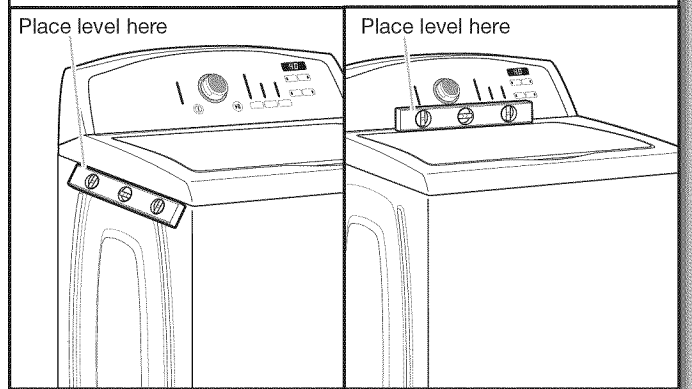


Secure drain hose to laundry tub leg, drain standpipe, or inlet hoses for wall standpipe with beaded tie strap.

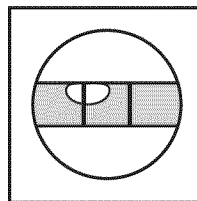
LEVEL WASHER

IMPORTANT: Level washer properly to reduce excess noise and vibration.

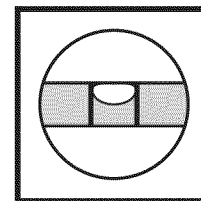
13. Check levelness of washer



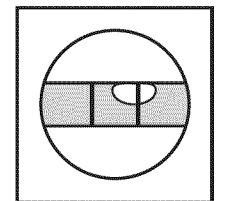
Move the washer to its final location. Place a level on top edges of washer. Use side seam as a guide to check levelness of sides. Check levelness of front using lid, as shown. Rock washer back and forth to make sure all four feet make solid contact with floor. If washer is level, skip to step 15, (on models with metal feet) or step 16 (on models with plastic feet).



Not Level

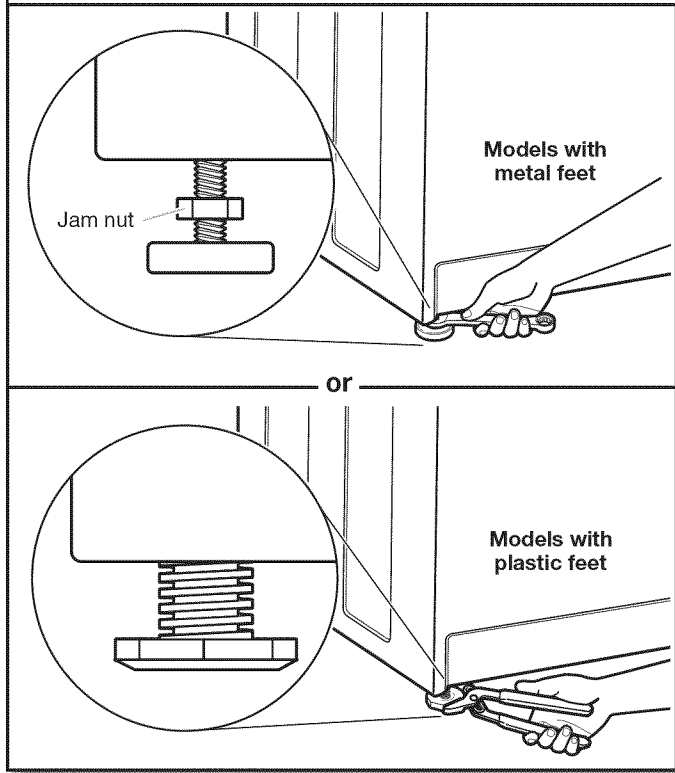


LEVEL



Not Level

14. Adjust leveling feet



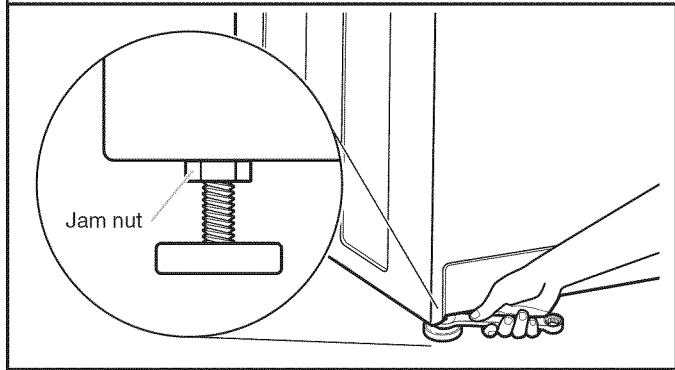
If washer is not level:

On models with metal feet, use a 9/16" or 14 mm open-end or adjustable wrench to turn jam nuts clockwise on feet until they are about 1/2" (13 mm) from the washer cabinet. Then turn the leveling foot clockwise to lower the washer or counterclockwise to raise the washer.

On models with plastic feet, use adjustable pliers to turn the plastic leveling foot counterclockwise to lower the washer or clockwise to raise the washer. On all models, recheck levelness of washer and repeat as needed.

HELPFUL TIP: You may want to prop up front of washer about 4" (102 mm) with a wood block or similar object that will support weight of washer.

15. Tighten leveling feet



On models with metal feet, when washer is level, use a 9/16" or 14 mm open-end or adjustable wrench to turn jam nuts counterclockwise on leveling feet tightly against washer cabinet.

HELPFUL TIP: You may want to prop washer with wooden block.

⚠ WARNING



Electrical Shock Hazard

Plug into a grounded 3 prong outlet.

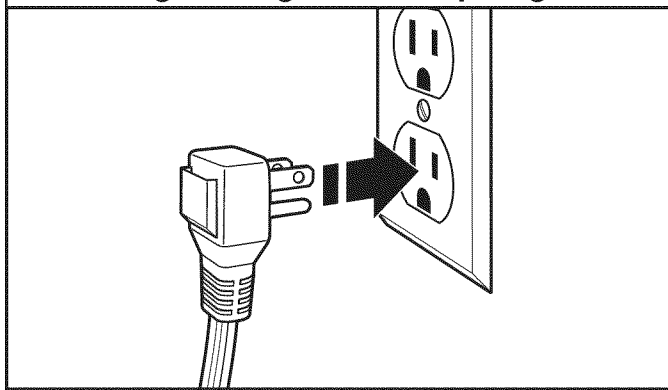
Do not remove ground prong.

Do not use an adapter.

Do not use an extension cord.

Failure to follow these instructions can result in death, fire, or electrical shock.

16. Plug into a grounded 3 prong outlet



COMPLETE INSTALLATION CHECKLIST

- Check electrical requirements. Be sure you have correct electrical supply and recommended grounding method.
- Check that all parts are now installed. If there is an extra part, go back through steps to see what was skipped.
- Check that you have all of your tools.
- Check that any shipping materials were completely removed from washer.
- Check that water faucets are on.
- Check for leaks around faucets and inlet hoses.
- Remove protective film from console and any tape remaining on washer.
- Check that washer is plugged into a grounded 3 prong outlet.
- Dispose of/recycle all packaging materials.
- Read "Washer Care" in your Use and Care Guide.
- To test and clean your washer, measure 1/2 of normal recommended amount of powdered or liquid detergent and pour it into washer basket or detergent dispenser (on some models). Close lid. Select any cycle. Start washer and allow to complete full cycle.

SEGURIDAD DE LA LAVADORA

Su seguridad y la seguridad de los demás es muy importante.

Hemos incluido muchos mensajes importantes de seguridad en este manual y en su electrodoméstico. Lea y obedezca siempre todos los mensajes de seguridad.



Este es el símbolo de advertencia de seguridad.

Este símbolo le llama la atención sobre peligros potenciales que pueden ocasionar la muerte o una lesión a usted y a los demás.

Todos los mensajes de seguridad irán a continuación del símbolo de advertencia de seguridad y de la palabra "PELIGRO" o "ADVERTENCIA". Estas palabras significan:

⚠ PELIGRO

Si no sigue las instrucciones de inmediato, usted puede morir o sufrir una lesión grave.

⚠ ADVERTENCIA

Si no sigue las instrucciones, usted puede morir o sufrir una lesión grave.

Todos los mensajes de seguridad le dirán el peligro potencial, le dirán cómo reducir las posibilidades de sufrir una lesión y lo que puede suceder si no se siguen las instrucciones.

NOTAS SOBRE LA INSTALACIÓN

Fecha de compra: _____

Número de modelo: _____

Fecha de instalación: _____

Número de serie: _____

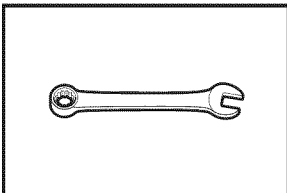
Instalador: _____

REQUISITOS DE INSTALACIÓN

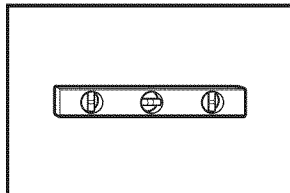
Herramientas y Piezas

Reúna las herramientas y piezas necesarias antes de comenzar la instalación.

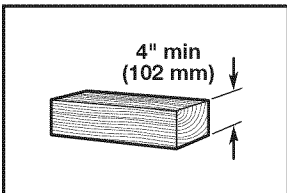
Herramientas necesarias:



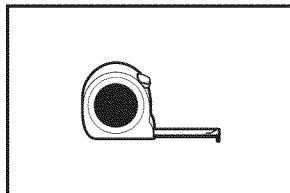
Llave de tuerca ajustable o de extremo abierto de 9/16" (14 mm)



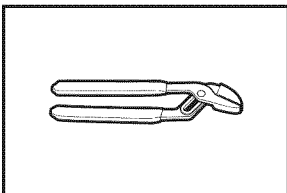
Nivel



Bloque de madera

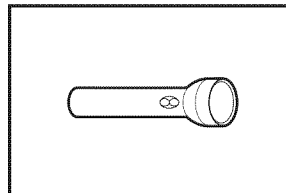


Regla o cinta para medir

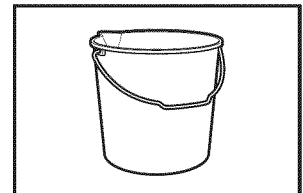


Pinzas que se abren a 1 3/4" (44,5 mm)

Herramientas optativas:



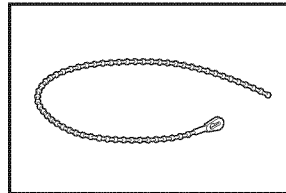
Linterna



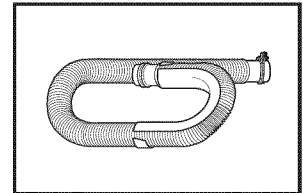
Cubeta

Piezas suministradas:

NOTA: Todas las piezas suministradas para la instalación están en una caja de cartón separada, en la parte superior de la lavadora.

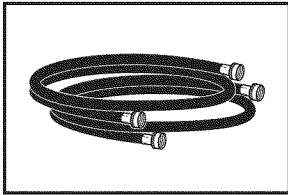


Fleje de atadura rebordado



Manguera de desagüe con abrazadera

Piezas alternativas: (No se proveen con la lavadora)



Mangueras de entrada (2)
con arandelas planas (4)

Para hacer un pedido, consulte los números gratuitos en la contraportada del Manual de uso y cuidado.

- 8212656RP Manguera de entrada de 10 pies (3,0 m) de caucho de etileno propileno negro (EPDM) (paquete de 2)
- 8212641RP Manguera de entrada de 5 pies (1,5 m) de caucho de etileno propileno negro (EPDM) (paquete de 2)
- 8212546RP Manguera de entrada de 4 pies (1,2 m) de caucho de etileno propileno negro (EPDM) (paquete de 2)
- 8212545RP Manguera de entrada de 5 pies (1,5 m) de caucho de etileno propileno rojo y azul (EPDM) (paquete de 2)
- 8212487RP Manguera de entrada de 5 pies (1,5 m) de nylon trenzado (paquete de 2)
- 8212638RP Manguera de entrada de nylon trenzado de 6 pies (1,8 m), codo de 90° para ahorrar espacio, acoplamiento de acero "hypro-blue" (paquete de 2)
- 8212637RP Manguera de entrada de 6 pies (1,8 m) de caucho de etileno propileno negro (EPDM), codo de 90° para ahorrar espacio, acoplamiento de acero "hypro-blue" (paquete de 2)

Piezas alternativas: (No se proveen con la lavadora)

Su instalación puede requerir piezas suplementarias. Para hacer un pedido, consulte los números gratuitos en la contraportada del Manual de uso y cuidado.

Si tiene:

Una alfombrilla suspendida

Tubo vertical de 1" (25 mm) de diámetro

Una manguera de desagüe corta

Desagüe obstruido por pelusa

Usted necesitará:

Tina de desagüe estándar de 20 galones (76 L) 39" (990 mm) de altura o lavadero utilitario, bomba de sumidero y conectores (disponible con proveedores locales)

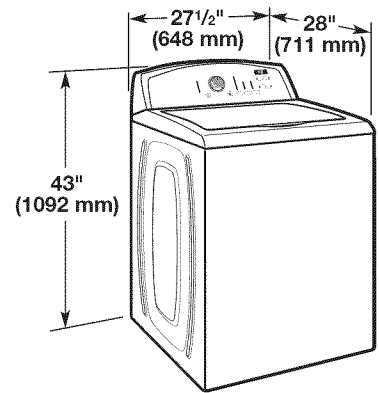
Juego de adaptador de tubo vertical de 2" (51 mm) de diámetro a 1" (25 mm) de diámetro, pieza número 3363920
Juego de conectores, pieza número 285835

Juego de extensión de desagüe, pieza número 285863
Juego de conectores, pieza número 285835

Protector del desagüe, pieza número 367031
Juego de conectores, pieza número 285835

REQUISITOS DE UBICACIÓN

Seleccione una ubicación apropiada para su lavadora, para realzar el rendimiento y reducir al mínimo el ruido y la posible "caminata" de la lavadora. Instale su lavadora en un sótano, cuarto para lavar, clóset o un lugar empotrado.



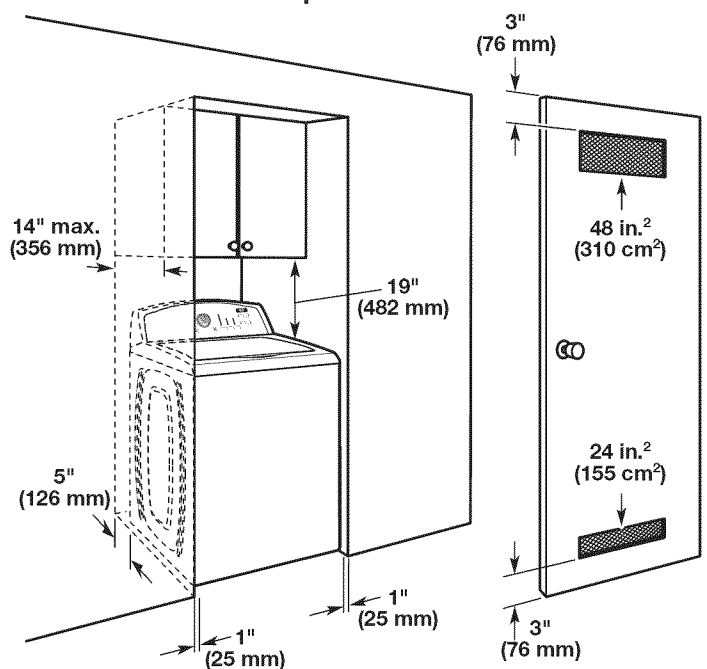
Usted necesitará:

- Un calentador de agua fijado en 120°F (49°C).
- Un contacto con conexión a tierra ubicado a no más de 4 pies (1,2 m) del cable eléctrico en la parte posterior de la lavadora.
- Grifos de agua caliente y de agua fría ubicados a una distancia de no más de 3 pies (0,9 m) de las válvulas de llenado del agua caliente y fría en la lavadora y una presión de agua de 20-100 lb/pulg² (138 – 690 kPa).
- Un piso nivelado con un declive máximo de 1" (25 mm) debajo de la lavadora completa. No se recomienda la instalación sobre una alfombra.
- El piso debe sostener el peso total de la lavadora (con el agua y la carga) de 315 lb (143 kg).

IMPORTANTE: No instale, guarde ni utilice la lavadora en donde estará expuesta a la intemperie o en temperaturas por debajo de 32°F (0°C). El agua que queda en la lavadora después del uso puede causar daños en temperaturas bajas. Vea "Cuidado de la lavadora" en el Manual de uso y cuidado, para saber cómo acondicionarla para el invierno.

La instalación correcta es su responsabilidad.

Instalación en zona empotrada o en el clóset

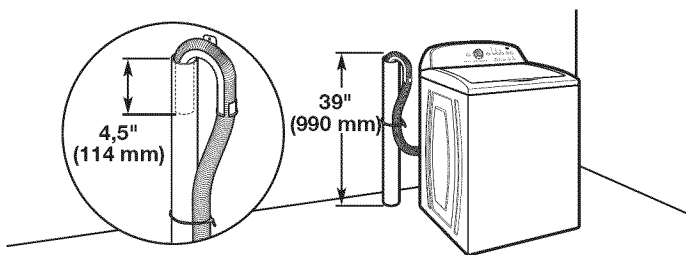


Las dimensiones muestran los espacios permitidos recomendados, excepto por las aberturas de ventilación de la puerta del clóset, las cuales son las mínimas necesarias. Esta lavadora ha sido puesta a prueba para la instalación en espacios de 0" (0 mm) en los costados. Considere dejar más espacio para facilitar la instalación y el servicio técnico, así como espacio para electrodomésticos que le acompañen y espacios libres para las molduras de la pared, de la puerta y del piso. Agregue un espacio adicional de 1" (25 mm) en todos los lados de la lavadora para reducir la transferencia de ruido. Si se instala una puerta de clóset o tipo persiana, es necesario que tenga aberturas para el aire en la parte superior e inferior.

SISTEMA DE DESAGÜE

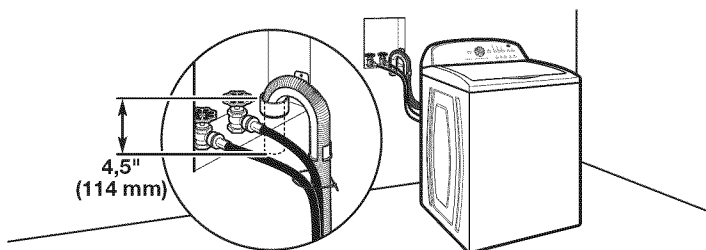
El sistema de desagüe de la lavadora se puede instalar utilizando un desagüe de piso, un tubo vertical de pared, un tubo vertical de piso o una tina de lavadero. Seleccione el método que necesita.

Sistema de desagüe de tubo vertical de piso



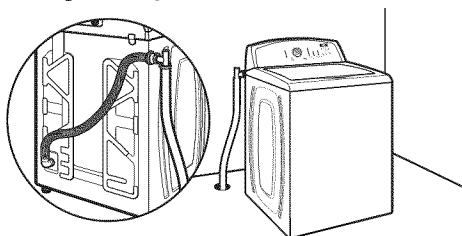
Diámetro mínimo para el desagüe de tubo vertical: 2" (51 mm)
 Capacidad de desplazamiento mínima: 17 gal. (64 L) por minuto.
 La parte superior del tubo vertical debe estar a 39" (991 mm) de altura como mínimo; instálela a no más de 96" (2,4 m) de la base de la lavadora. Si la instala a más de 96" (2,4 m), necesitará un sistema de bomba de sumidero.

Sistema de desagüe de tubo vertical de pared



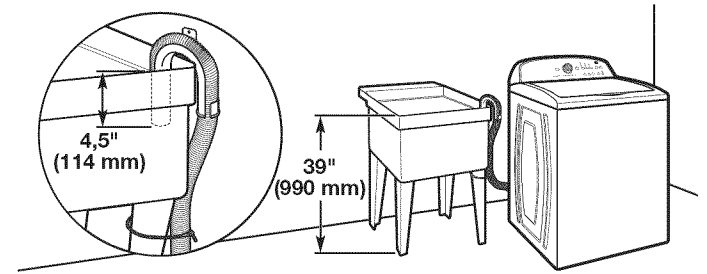
Vea los requisitos para el sistema de desagüe de tubo vertical de piso.

Sistema de desagüe de piso



Un sistema de desagüe por el piso requiere de un juego de desviación de sifón (pieza número 285834), 2 juegos de conectores (pieza número 285385) y extensión de manguera de desagüe (pieza número 285863), la cual puede comprarse por separado. Para ordenar, sírvase consultar los números gratuitos en el Manual de uso y cuidado. Desviación de sifón mínima: 28" (710 mm) de la base de la lavadora. (Se pueden necesitar mangueras adicionales.)

Sistema de desagüe de tina de lavadero



Capacidad mínima: 20 gal. (76 L). La parte superior de la tina de lavadero debe estar a 39" (991 mm) del piso como mínimo; instálela a no más de 96" (2,4 m) de la base de la lavadora.

IMPORTANTE: Para evitar el efecto de sifón, no debe haber más de 4,5" (114 mm) de manguera de desagüe dentro del tubo vertical o debajo de la parte superior de la tina de lavado. Siempre ajuste la manguera de desagüe con un fleje de atadura rebordeado.

REQUISITOS ELÉCTRICOS

⚠ ADVERTENCIA



Peligro de Choque Eléctrico

Conecte a un contacto de pared de conexión a tierra de 3 terminales.

No quite la terminal de conexión a tierra.

No use un adaptador.

No use un cable eléctrico de extensión.

No seguir estas instrucciones puede ocasionar la muerte, incendio o choque eléctrico.

- Se necesita un suministro eléctrico de 120 voltios, 60 hertzios, CA solamente, de 15 ó 20 amperios y protegido con fusible. Se recomienda un fusible retardador o un cortacircuitos, en un circuito independiente que preste servicio únicamente a este aparato.
- Esta lavadora viene equipada con un cable eléctrico dotado de un enchufe de 3 terminales con conexión a tierra.
- Para reducir al mínimo el peligro de posibles choques eléctricos, el cable debe ser enchufado en un contacto apropiado de pared de 3 terminales, conectado a tierra de acuerdo con los códigos y normas locales. Si no hay disponible una salida equivalente, es responsabilidad y obligación personal del cliente de tener un contacto apropiado con conexión a tierra instalado por un electricista calificado.
- Si los códigos lo permiten y se emplea un alambre de conexión a tierra separado, es recomendable que un electricista calificado determine si la trayectoria de conexión a tierra es adecuada.
- Si no está seguro de que la conexión a tierra de la lavadora sea la adecuada, verifíquela con un electricista competente.

INSTRUCCIONES PARA LA CONEXIÓN A TIERRA

Para una lavadora conectada a tierra con cable eléctrico:

Esta lavadora debe conectarse a tierra. En caso de funcionamiento defectuoso o avería, la conexión a tierra reducirá el riesgo de choque eléctrico al proporcionar una vía de menor resistencia para la corriente eléctrica. Esta lavadora viene equipada con un cable eléctrico que tiene un conductor de conexión a tierra del equipo y un enchufe con conexión a tierra. El enchufe debe conectarse en un contacto de pared apropiado que haya sido debidamente instalado y conectado a tierra de conformidad con todos los códigos y ordenanzas locales.

ADVERTENCIA: La conexión incorrecta de la terminal de conexión a tierra del equipo puede ocasionar un riesgo de choque eléctrico. Consulte con un electricista o técnico en reparaciones calificado si tiene duda alguna en cuanto a la conexión a tierra correcta del electrodoméstico.

No modifique el enchufe provisto con el electrodoméstico. Si éste no encaja en el contacto de pared, pida a un electricista calificado que le instale un contacto de pared apropiado.

Para una lavadora con contacto eléctrico permanente:

Esta lavadora debe estar conectada a un sistema de cableado de metal permanente, conectado a tierra, o se debe tender un conducto para la conexión a tierra del equipo con los conductores de circuito y conectado a la terminal de tierra del equipo o al conductor de suministro del electrodoméstico.

INSTRUCCIONES DE INSTALACIÓN

⚠ ADVERTENCIA

Peligro de Peso Excesivo

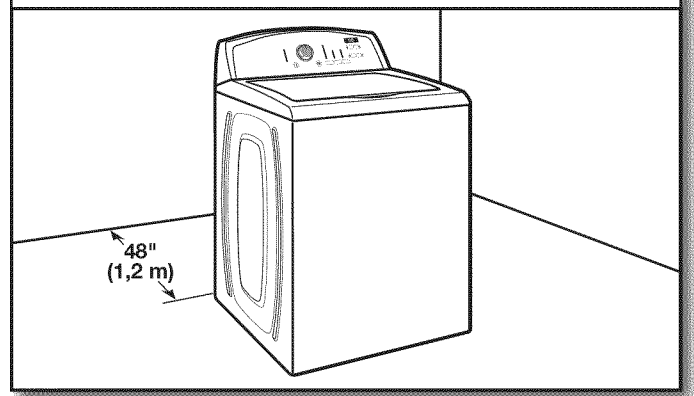
Use dos o más personas para mover e instalar la lavadora.

No seguir esta instrucción puede ocasionar una lesión en la espalda u otro tipo de lesiones.

Antes de comenzar: Cómo quitar los materiales de transporte

Es necesario quitar todos materiales de transporte para obtener un funcionamiento adecuado y para evitar ruido excesivo de la lavadora.

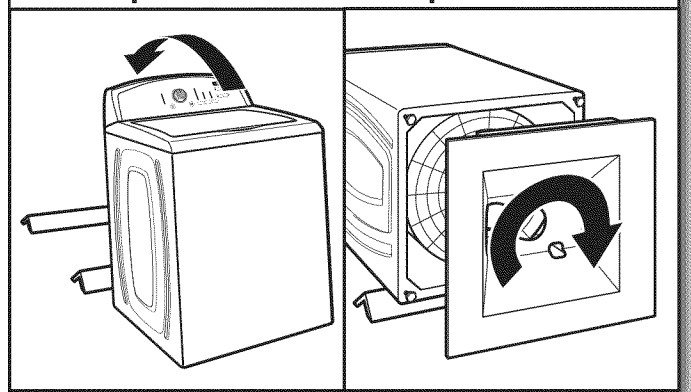
1. Mueva la lavadora



Mueva la lavadora a 4 pies (1.2 m) de su ubicación final. Debe estar en posición vertical.

NOTA: Para evitar daños en el piso, coloque la lavadora sobre un cartón antes de moverla y asegúrese de que la tapa esté cerrada con cinta adhesiva.

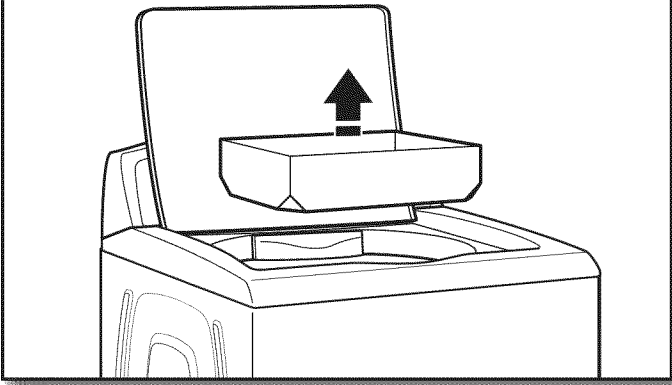
2. Saque la base de transporte



Para evitar dañar el piso, coloque los soportes de cartón de la caja de embalaje sobre el piso detrás de la lavadora. Incline hacia atrás la lavadora y colóquela sobre los soportes de cartón. Quite la base de embalaje rotando la base 90° hacia la derecha. Coloque la lavadora en posición vertical.

IMPORTANTE: Para un funcionamiento adecuado es necesario quitar la base de transporte. Si su lavadora incluye un aislador de sonido, consulte las instrucciones incluidas con el mismo para instalarlo en este momento.

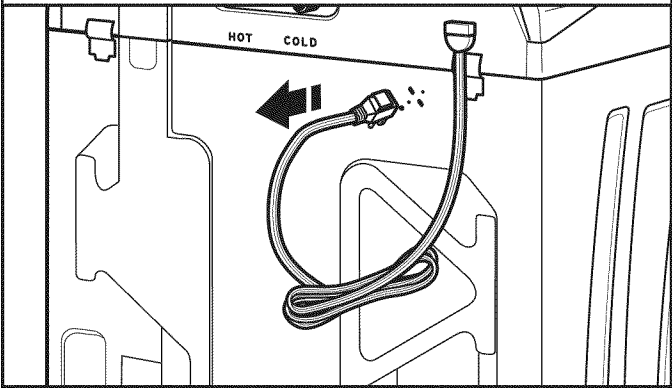
3. Saque la bandeja de empaque de la tina



Quite la cinta adhesiva de la tapa de la lavadora, abra la tapa y saque la bandeja de empaque de cartón de la tina. Cerciñese de sacar todas las piezas de la bandeja.

NOTA: Guarde la bandeja por si necesita mover la lavadora más tarde.

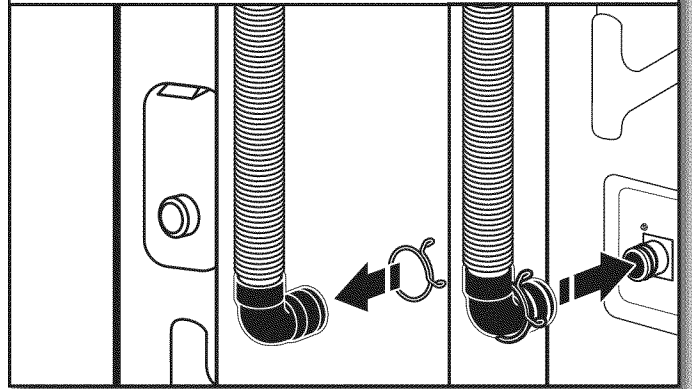
4. Liberar el cable eléctrico



Sujete con firmeza el cable eléctrico y jálelo para liberarlo por completo del panel posterior. Después coloque el cable eléctrico con cuidado sobre la consola para permitir un acceso sin obstrucciones a la parte posterior de la lavadora.

CONEXIÓN DE LA MANGUERA DE DESAGÜE

5. Sujete la manguera de desagüe al puerto de desagüe

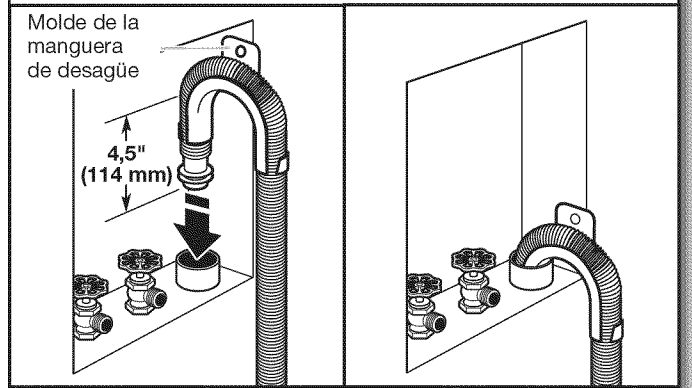


Si la abrazadera no está en su lugar, sobre el extremo del codo de la manguera de desagüe, deslícelo sobre el extremo como se muestra. Apriete la abrazadera con unas pinzas y deslice el extremo de la manguera de desagüe con el codo negro sobre el puerto de desagüe negro. Asegúrelo con la abrazadera.

Para una tina de lavandería o una tubería vertical, vaya al paso 6.

Para un desagüe por el piso, quite el molde de la manguera de desagüe instalado previamente, como se muestra en el paso 7. Podría necesitar piezas adicionales con indicaciones por separado. Vea "Piezas y herramientas".

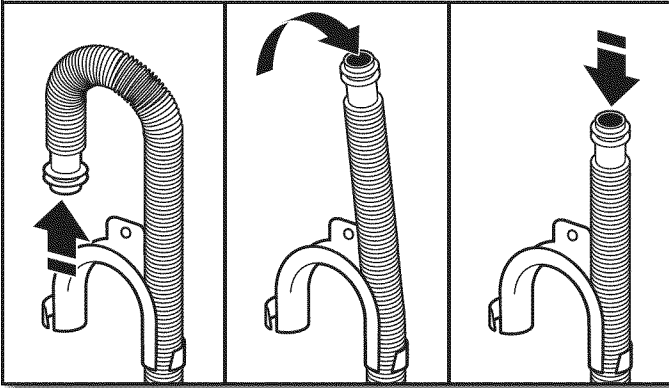
6. Coloque la manguera de desagüe en el tubo vertical



Coloque la manguera dentro del tubo vertical (se muestra en la ilustración) o sobre el lado de la tina de lavadero.

IMPORTANTE: No debe haber más de 4,5" (114 mm) de manguera de desagüe dentro del tubo vertical; no fuerce el exceso de la manguera dentro del tubo vertical; ni lo coloque en el fondo de la tina de lavadero. El molde de la manguera de desagüe debe usarse.

7. Cómo quitar el molde de la manguera de desagüe (instalaciones con desagüe por el piso únicamente)



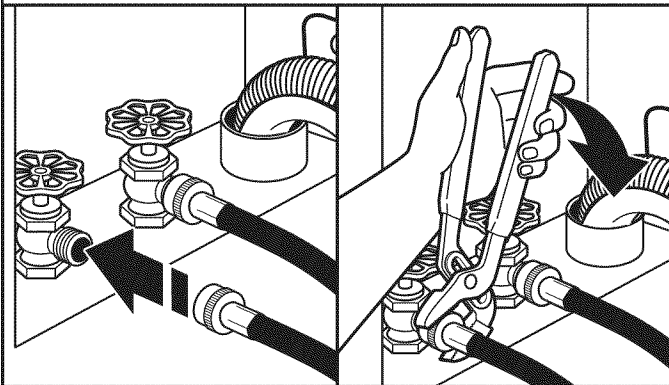
Para las instalaciones con desagüe por el piso, necesitará quitar el molde de la manguera de desagüe del extremo de la misma. Puede ser que necesite piezas adicionales con instrucciones por separado. Vea “Piezas y herramientas”.

CONEXIÓN DE LAS MANGUERAS DE ENTRADA

La lavadora debe estar conectada a los grifos de agua con mangueras de entrada nuevas y arandelas planas (no provistas). No use mangueras viejas.

NOTA: Deberán sujetarse ambas mangueras y tener flujo de agua a las válvulas de llenado. Si sólo va a conectar a un grifo de agua fría, deberá utilizar un adaptador en Y (no provisto).

8. Conecte las mangueras de entrada a los grifos del agua

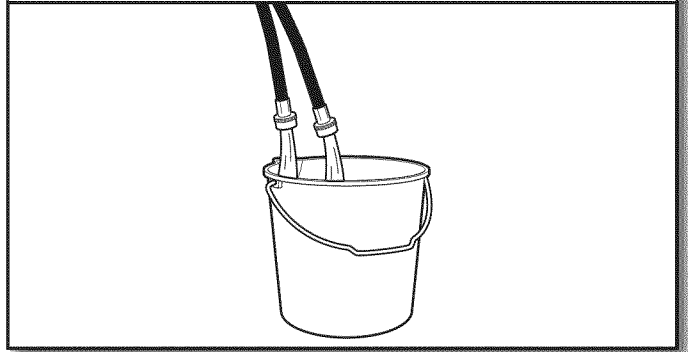


Cerciórese de que las arandelas planas estén en ambos extremos de las mangueras de entrada. Sujete la manguera al grifo de agua caliente. Atornille el acoplamiento con la mano hasta que quede asentado en la lavadora. Use pinzas para apretar los acoplamientos dos tercios de vuelta adicional. Repita este paso con la segunda manguera para el grifo de agua fría.

IMPORTANTE: No apriete en exceso ni use cinta o selladores en la válvula. Puede resultar en daños.

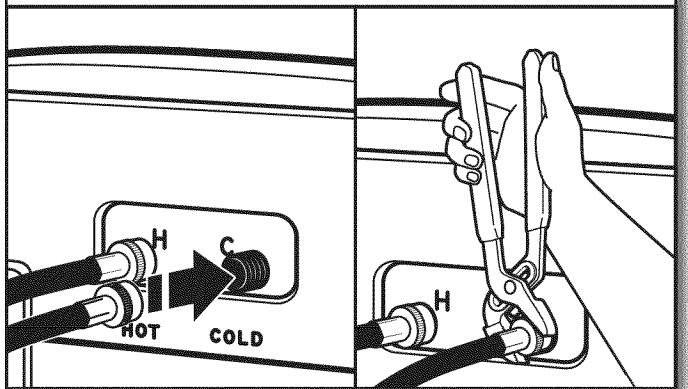
CONSEJO ÚTIL: Tome nota de cuál de las mangueras está conectada al agua caliente, para ayudar a conectar las mangueras a la lavadora correctamente. En la mayoría de las configuraciones estándar, las mangueras se cruzarán cuando estén sujetas correctamente.

9. Despeje las líneas de agua



Deje correr agua por algunos segundos por las mangueras, a una tina de lavadero, tubo de desagüe o cubeta para evitar que se obstruya. El agua debe correr hasta que salga limpia.

10. Conecte las mangueras de entrada a la lavadora

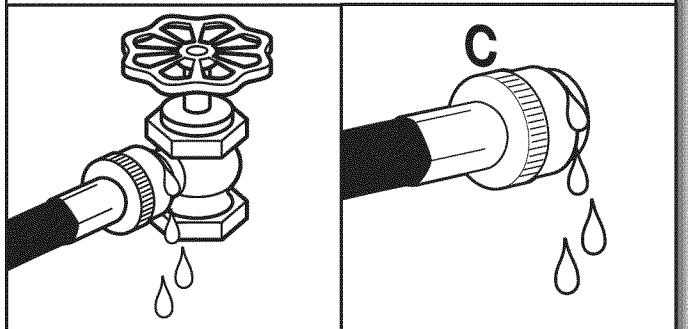


Sujete la manguera de agua caliente a la válvula de entrada del agua caliente, marcada con un anillo rojo. Atornille el acoplamiento a mano hasta que quede apretado. Use pinzas para apretar los acoplamientos dos tercios de vuelta adicional. Repítalo con la válvula de entrada del agua fría.

IMPORTANTE: Para reducir el riesgo de que las mangueras fallen, reemplácelas cada 5 años. Para consulta en el futuro, anote en las mangueras la fecha de instalación o la fecha de reposición de las mismas.

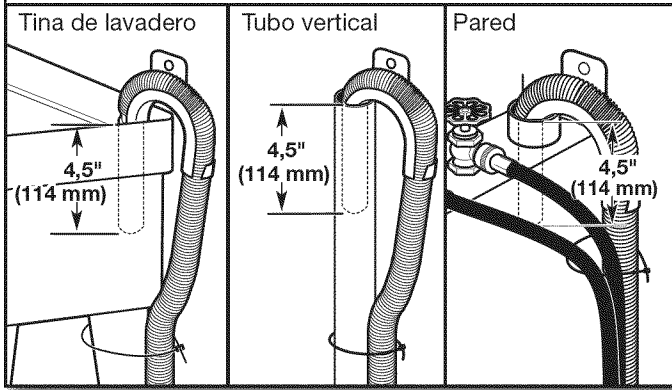
■ Inspeccione periódicamente y reemplace las mangueras si aparecen bultos, torceduras, cortaduras, desgaste o filtraciones de agua.

11. Revise si hay fugas



Abra los grifos del agua para revisar si hay fugas de agua en el grifo y en la conexión a la lavadora. Una pequeña cantidad de agua podría entrar en la lavadora. Ésta se desaguará más tarde.

12. Asegure la manguera de desagüe

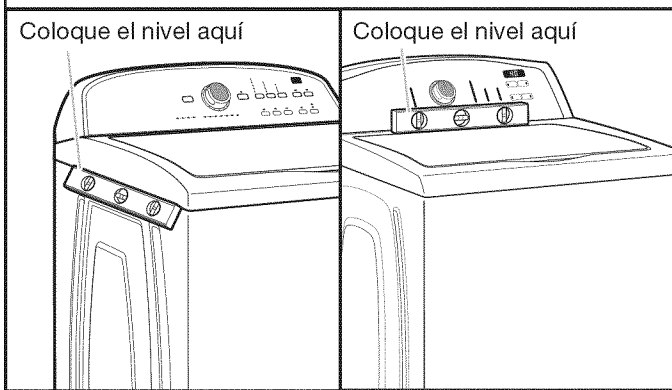


Asegure la manguera de desagüe a la pata del lavadero, al tubo vertical o a las mangueras de entrada para el tubo vertical de pared, utilizando el fleje de atadura rebordeado. Esto contribuirá a reducir la posibilidad de que se salpique agua del desagüe en el piso.

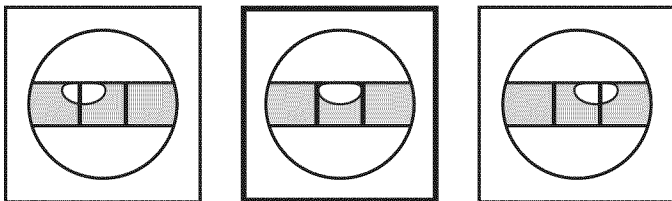
NIVELACIÓN DE LA LAVADORA

IMPORTANTE: El nivelar adecuadamente su lavadora reduce el ruido y la vibración en exceso.

13. Revise la nivelación de la lavadora



Con la lavadora en su ubicación final, coloque un nivel en los bordes superiores de la lavadora. Use la hendidura lateral como una guía para revisar la nivelación de los lados. Revise la nivelación del frente usando la tapa, como se muestra. Balancee la lavadora hacia delante y hacia atrás para asegurarse de que las 4 patas hagan contacto firme con el piso. Si la lavadora está nivelada, saltee al paso 15 (en los modelos con las patas de metal o al paso 16 (en los modelos con las patas plásticas).

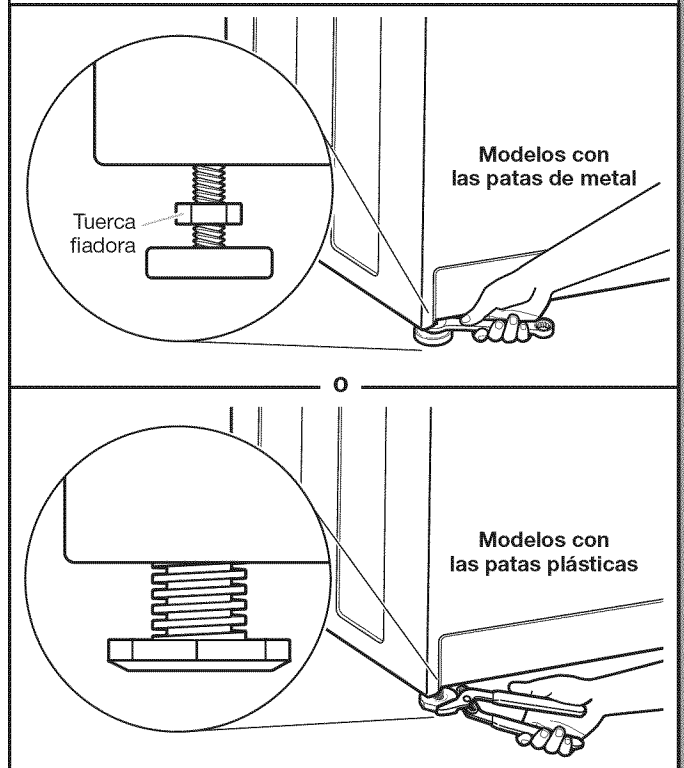


No está nivelada

NIVELADA

No está nivelada

14. Cómo ajustar las patas niveladoras



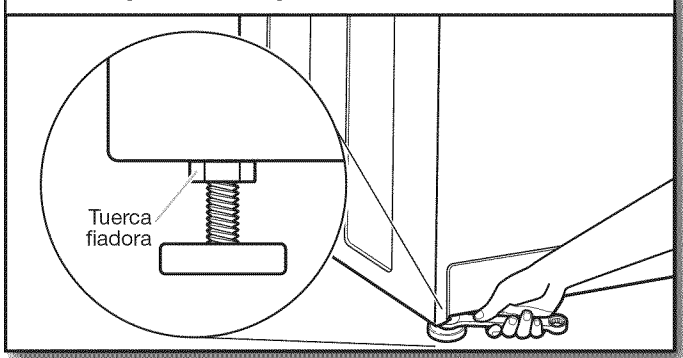
Si la lavadora no está nivelada:

En los modelos con las patas de metal, use una llave de boca de 9/16" ó 14 mm o una llave ajustable para girar las tuercas fijadoras hacia la derecha sobre las patas, hasta que estén a aproximadamente 1/2" (13 mm) de la carcasa de la lavadora. Luego gire la pata niveladora hacia la derecha para bajar la lavadora, o hacia la izquierda para levantarla.

En los modelos con las patas plásticas, use los alicates ajustables para girar la pata niveladora plástica hacia la izquierda para bajar la lavadora o hacia la derecha para levantarla. En todos los modelos, revise la nivelación de la lavadora nuevamente y repita el procedimiento según sea necesario.

CONSEJO ÚTIL: Puede apuntalar el frente de la lavadora aproximadamente 4" (102 mm) con un bloque de madera o un objeto similar que vaya a soportar el peso de la lavadora.

15. Apriete las patas niveladoras



En los modelos con las patas de metal, cuando la lavadora esté nivelada, use una llave de boca de 9/16" ó 14 mm o una llave ajustable para girar las tuercas fijadoras en las patas hacia la izquierda, apretándolas contra la carcasa de la lavadora.

CONSEJO ÚTIL: Puede apuntalar la lavadora con un bloque de madera.

⚠ ADVERTENCIA



Peligro de Choque Eléctrico

Conecte a un contacto de pared de conexión a tierra de 3 terminales.

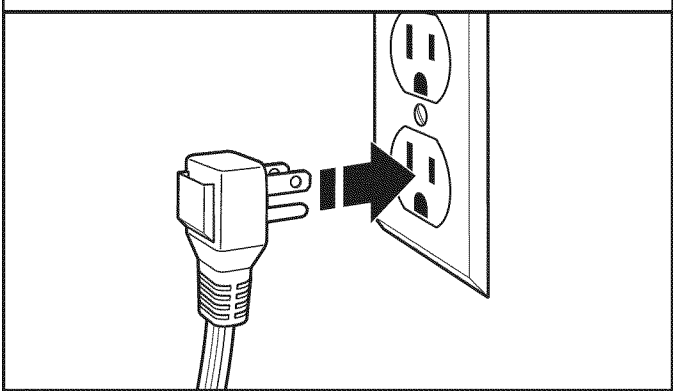
No quite la terminal de conexión a tierra.

No use un adaptador.

No use un cable eléctrico de extensión.

No seguir estas instrucciones puede ocasionar la muerte, incendio o choque eléctrico.

16. Conecte a un contacto de pared de conexión a tierra de 3 terminales



COMPLETE LA INSTALACIÓN

- Revise los requisitos eléctricos. Asegúrese de contar con la fuente de electricidad correcta y el método recomendado de conexión a tierra.
- Verifique que todas las piezas estén ahora instaladas. Si hay alguna pieza extra, vuelva a revisar todos los pasos para ver qué se omitió.
- Verifique que tenga todas las herramientas.
- Verifique que los ambos grifos de agua estén abiertos.
- Verifique si hay fugas alrededor de los grifos y de las mangueras de entrada.
- Quite la película de la consola y la cinta que quede en la lavadora.
- Check that any shipping materials were completely removed from washer.
- Revise que la lavadora esté conectada en un contacto de 3 terminales con conexión a tierra.
- Deshágase de todos los materiales de embalaje o recíclelos.
- Lea "Cuidado de la lavadora" en las Manual de uso y cuidado.
- Para probar y limpiar su lavadora, mida 1/2 de la cantidad normal recomendada de detergente en polvo o líquido y viértalo en la canasta de la lavadora o en el depósito de detergente (en algunos modelos). Cierre la tapa. Seleccione cualquier ciclo. Ponga en marcha la lavadora y deje que termine un ciclo completo.

SÉCURITÉ DE LA LAVEUSE

Votre sécurité et celle des autres est très importante.

Nous donnons de nombreux messages de sécurité importants dans ce manuel et sur votre appareil ménager. Assurez-vous de toujours lire tous les messages de sécurité et de vous y conformer.



Voici le symbole d'alerte de sécurité.

Ce symbole d'alerte de sécurité vous signale les dangers potentiels de décès et de blessures graves à vous et à d'autres.

Tous les messages de sécurité suivront le symbole d'alerte de sécurité et le mot "DANGER" ou "AVERTISSEMENT". Ces mots signifient :

! DANGER

Risque possible de décès ou de blessure grave si vous ne suivez pas immédiatement les instructions.

! AVERTISSEMENT

Risque possible de décès ou de blessure grave si vous ne suivez pas les instructions.

Tous les messages de sécurité vous diront quel est le danger potentiel et vous disent comment réduire le risque de blessure et ce qui peut se produire en cas de non-respect des instructions.

NOTES CONCERNANT L'INSTALLATION

Date d'achat: _____

Numéro de modèle: _____

Date d'installation: _____

Numéro de série: _____

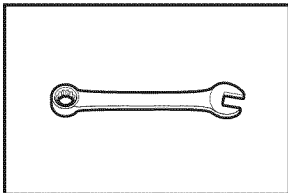
Installateur: _____

EXIGENCES D'INSTALLATION

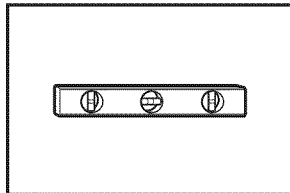
Outillage et Pièces

Rassembler les outils et pièces nécessaires avant de commencer l'installation.

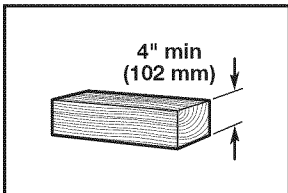
Outillage nécessaire :



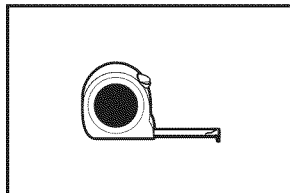
Clé à molette ou clé hexagonale de 9/16" (14 mm)



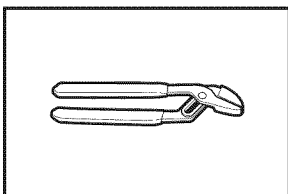
Niveau



Cale en bois

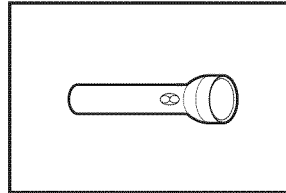


Règle ou mètre ruban

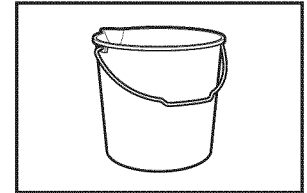


Pince avec ouverture jusqu'à 1³/₄" (44,5 mm)

Outillage facultatif :



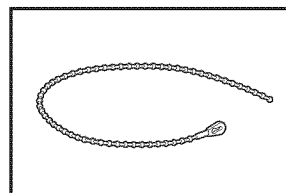
Lampe de poche



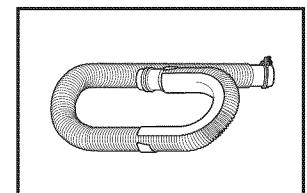
Seau

Pièces fournies :

REMARQUE : Toutes les pièces fournies pour l'installation se trouvent dans l'insert en carton dans le panier de la laveuse.

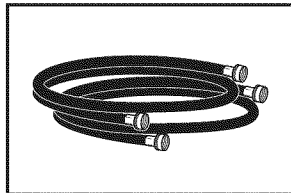


Attache de fixation perlée



Tuyau de vidange avec bride

Pièces nécessaires : (Non fournies avec la laveuse)



Tuyaux d'arrivée d'eau avec rondelles plates

Pour commander, consulter les numéros d'appel sans frais sur la page arrière du guide d'utilisation et d'entretien.

- 8212656RP Tuyau d'arrivée d'eau de 10 pi. (3 m), EPDM noir (lot de 2)
- 8212641RP Tuyau d'arrivée d'eau de 5 pi. (1,5 m), EPDM noirs (lot de 2)
- 8212546RP Tuyau d'arrivée d'eau de 4 pi. (1,2 m), EPDM noirs (lot de 2)
- 8212545RP Tuyau d'arrivée d'eau de 5 pi. (1,5 m), EPDM rouge et bleu (lot de 2)
- 8212487RP Tuyau d'arrivée d'eau en nylon tressé de 5 pi. (1,5 m) (lot de 2)
- 8212638RP Tuyau d'arrivée d'eau en nylon tressé de 6 pi. (1,8 m), coude compact à 90°, raccords hydro-bleu en acier (lot de 2)
- 8212637RP Tuyau d'arrivée d'eau de 6 pi. (1,8 m), EPDM noir, coude compact de 90°, raccords hydro-bleu en acier (lot de 2)

Autres pièces : (Non fournies avec la laveuse)

Il se peut que l'installation nécessite des pièces supplémentaires. Pour commander, consulter les numéros d'appel sans frais figurant sur la page de couverture des Instructions d'utilisation de la laveuse.

Si vous avez :

Un égout surélevé

Il vous faudra :

Tuyau de vidange standard de 20 gal. (76 L) de 39" (991 mm) de haut ou évier de décharge, pompe de puisard et connecteurs (disponibles chez les vendeurs de matériel de plomberie locaux)

Tuyau de rejet à l'égout rigide

Adaptateur pour tuyau rigide de rejet à l'égout rigide de diamètre 2" (51 mm) à 1" (25 mm) Pièce numéro 3363920 Ensemble de connection, pièce numéro 285835

Un tuyau de vidange trop court

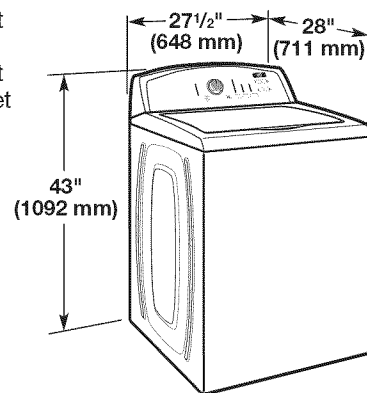
Tuyau de vidange supplémentaire, pièce numéro 285863 Ensemble de connection pièce numéro 285835

Le système d'évacuation obstrué par de la charpie

Protecteur de canalisation, pièce numéro 367031 Ensemble de connection, pièce numéro 285835

EXIGENCES D'EMPLACEMENT

Le choix d'un emplacement approprié pour la laveuse en améliore le rendement et réduit au minimum le bruit et le "déplacement" possible de la laveuse. La laveuse peut être installée dans un sous-sol, une salle de buanderie, un placard ou un encastrement.



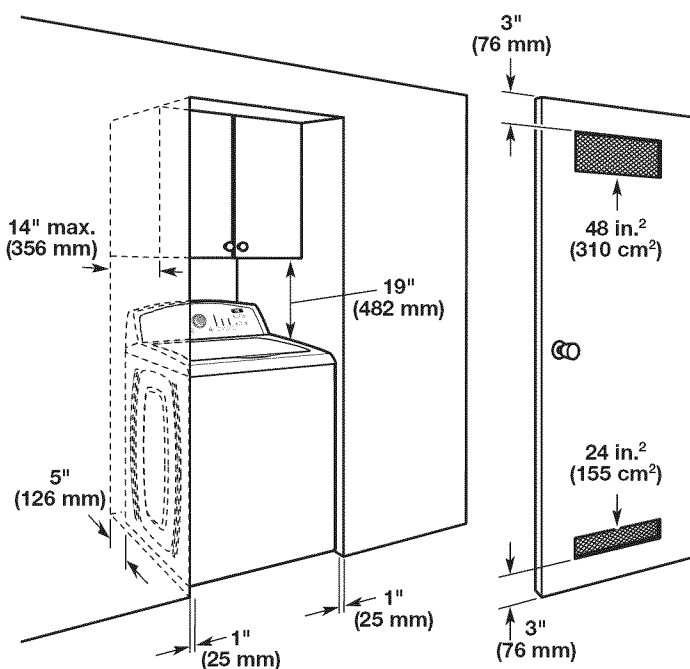
Il vous faudra :

- Un chauffe-eau réglé à 120° F (49° C).
- Une prise électrique reliée à la terre et située à moins de 4 pi. (1,2 m) du cordon d'alimentation situé à l'arrière de la laveuse.
- Des robinets d'eau chaude et d'eau froide situés à moins de 3 pi. (0,9 m) des électrovannes de remplissage d'eau chaude et d'eau froide situées sur la laveuse et une pression d'eau de 20-100 lb/po² (138 à 690 kPa).
- Un plancher de niveau avec une pente maximale de 1" (25 mm) sous l'ensemble de la laveuse. L'installation sur de la moquette n'est pas recommandée.
- Un plancher capable de supporter le poids total de 315 lb (143 kg) de la laveuse (eau et charge compris).

IMPORTANT : Ne pas installer, remiser ou faire fonctionner la laveuse à un emplacement où elle sera exposée aux intempéries ou à des températures inférieures à 32° F (0° C). De l'eau restée dans la laveuse après utilisation peut causer des dommages à basse température. Voir "Entretien de la laveuse" dans le Guide d'utilisation et d'entretien pour des renseignements sur l'hivernisation.

C'est à l'utilisateur qu'incombe la responsabilité de réaliser une installation correcte.

Installation dans un encastrement ou un placard

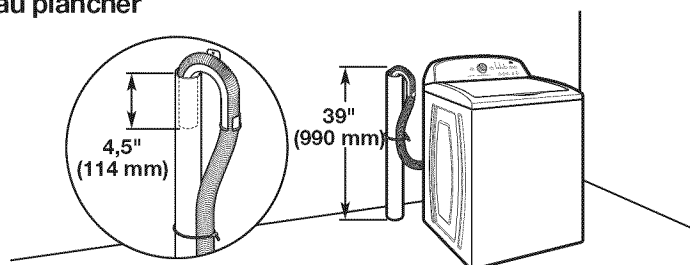


Les dimensions représentent les dégagements recommandés permis, hormis pour les ouvertures de ventilation de la porte du placard qui correspondent aux dimensions minimales nécessaires. Cette laveuse a été testée pour une installation avec des dégagements de 0" (0 mm) sur les côtés. On peut éventuellement laisser davantage de dégagement pour faciliter l'installation et l'entretien, et des distances de séparation pour les appareils ménagers voisins et des dégagements pour les murs, portes et plinthes. Ajouter un espace supplémentaire de 1" (25 mm) de tous les côtés de la laveuse pour réduire le transfert de bruit. Si l'on installe une porte de placard ou une porte à persiennes, des ouvertures d'aération au sommet et au bas de la porte sont nécessaires.

SYSTÈME DE VIDANGE

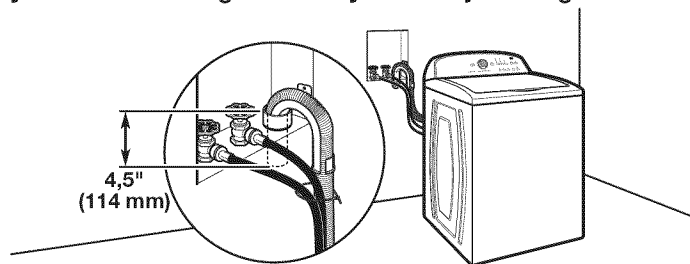
Le système de vidange de la laveuse peut être installé à l'aide d'un conduit d'évacuation au plancher, un tuyau de rejet à l'égout au plancher ou mural ou un évier de buanderie. Sélectionner la méthode à utiliser.

Système de vidange avec tuyau de rejet à l'égout au plancher



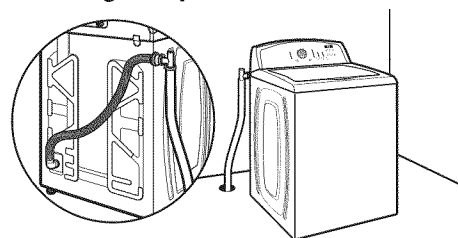
Diamètre minimal pour un tuyau de rejet à l'égout : 2" (51 mm).
Capacité minimale d'acheminement : 17 gal. (64 L) par minute.
Le sommet du tuyau de rejet à l'égout doit avoir une hauteur d'au moins 39" (990 mm); ne pas l'installer à plus de 96" (2,44 m) du fond de la laveuse. Si on doit l'installer à plus de 96" (2,44 m) de hauteur, un système de pompe de puisard est nécessaire.

Système de vidange avec tuyau de rejet à l'égout mural



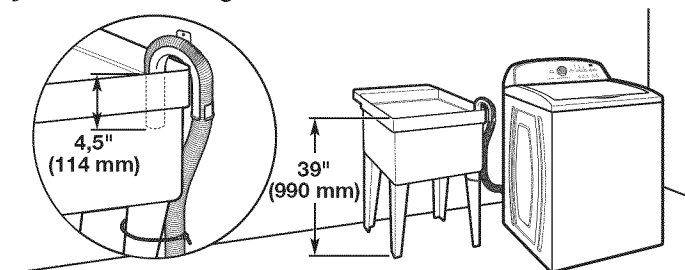
Voir les exigences pour le système de vidange avec tuyau de rejet à l'égout au plancher.

Système de vidange au plancher



Le système de vidange au plancher nécessite un ensemble de brise-siphon (pièce numéro 285834), deux ensembles de connection (pièce numéro 285835), et un tuyau de vidange supplémentaire (pièce numéro 285863) qui peuvent être achetés séparément. Pour commander, consulter les numéros d'appel sans frais figurant dans les Instructions d'utilisation de la laveuse. Dimension minimale pour le brise-siphon : 28" (710 mm) à partir du fond de la laveuse. (Des tuyaux supplémentaires peuvent être requis).

Système de vidange dans un évier de buanderie



Capacité minimale : 20 gal. (76 L). Le sommet de l'évier de buanderie doit se trouver à au moins 39" (990 mm) du plancher; ne pas l'installer à plus de 96" (2,44 m) du fond de la laveuse.

IMPORTANT : Pour éviter un effet de siphon, ne pas introduire plus de 4,5" (114 mm) de tuyau de vidange à l'intérieur du tuyau de rejet à l'égout ou sous la partie supérieure d'évier de buanderie. Immobiliser le tuyau de vidange avec l'attache de fixation perlée.

SPÉCIFICATIONS ÉLECTRIQUES

⚠ AVERTISSEMENT



Risque de choc électrique

Brancher sur une prise à 3 alvéoles reliée à la terre.

Ne pas enlever la broche de liaison à la terre.

Ne pas utiliser un adaptateur.

Ne pas utiliser un câble de rallonge.

Le non-respect de ces instructions peut causer un décès, un incendie ou un choc électrique.

- Une alimentation de 120 volts, 60 Hz, CA seulement, de 15 ou 20 ampères, protégée par un fusible est requise. On recommande l'emploi d'un fusible ou d'un disjoncteur temporisé. Il est recommandé de raccorder l'appareil sur un circuit distinct exclusif à cet appareil.
- Cette laveuse comporte un cordon d'alimentation électrique à trois broches pour liaison à la terre.

- Pour minimiser les risques de choc électrique, on doit brancher le cordon sur une prise de courant de configuration correspondante, à 3 alvéoles, reliée à la terre et installée conformément aux codes et règlements locaux. Si une prise de courant de configuration correspondante n'est pas disponible, le client a la responsabilité et l'obligation de faire installer par un électricien qualifié une prise de courant correctement reliée à la terre.
- Si les codes le permettent et si l'on utilise un conducteur distinct de liaison à la terre, il est recommandé qu'un électricien qualifié vérifie la qualité de la liaison à la terre.
- Ne pas utiliser une tuyauterie de gaz pour le raccordement à la terre.
- En cas de doute quant à la qualité de la liaison à la terre de la laveuse, consulter un électricien qualifié.
- Ne pas installer un fusible dans le conducteur neutre ou le circuit de liaison à la terre.

INSTRUCTIONS DE LIAISON À LA TERRE

Pour une laveuse reliée à la terre et connectée par un cordon :

Cette laveuse doit être reliée à la terre. En cas d'anomalie de fonctionnement ou de panne, la liaison à la terre réduira le risque de choc électrique en offrant au courant électrique un itinéraire d'évacuation de moindre résistance. Cette laveuse est alimentée par un cordon électrique comportant un conducteur relié à la terre et une fiche de branchement munie d'une broche de liaison à la terre. La fiche doit être branchée sur une prise de courant appropriée qui est bien installée et reliée à la terre conformément à tous les codes et règlements locaux.

AVERTISSEMENT : Le raccordement incorrect de cet appareil au conducteur de liaison à la terre peut susciter un risque de choc électrique. En cas de doute quant à la qualité de la liaison à la terre de l'appareil, consulter un électricien ou technicien d'entretien qualifié.

Ne pas modifier la fiche de branchement fournie avec l'appareil – si la fiche ne correspond pas à la configuration de la prise de courant, demander à un électricien qualifié d'installer une prise de courant convenable.

Pour une laveuse raccordée en permanence :

Cette laveuse doit être raccordée à un système de câblage permanent en métal relié à la terre ou un conducteur relié à la terre doit être en fonction avec les conducteurs de circuit et raccordés à la borne de liaison à la terre ou la borne sur l'appareil ménager.

INSTRUCTIONS D'INSTALLATION

⚠ AVERTISSEMENT

Risque du poids excessif

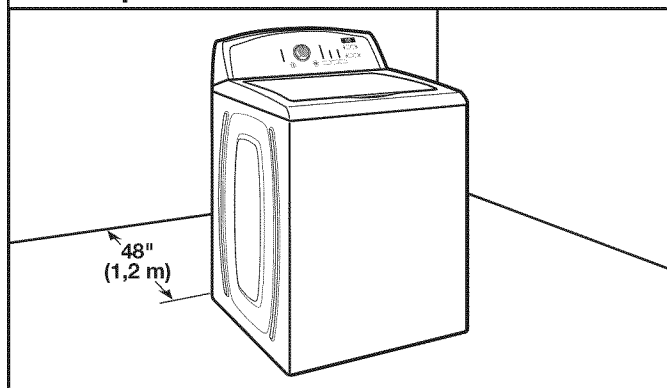
Utiliser deux ou plus de personnes pour déplacer et installer la laveuse.

Le non-respect de cette instruction peut causer une blessure au dos ou d'autre blessure.

Avant de commencer : retirer le matériel d'expédition

Il est nécessaire de retirer tout le matériel d'expédition pour un fonctionnement correct et pour éviter que la laveuse ne fasse trop de bruit.

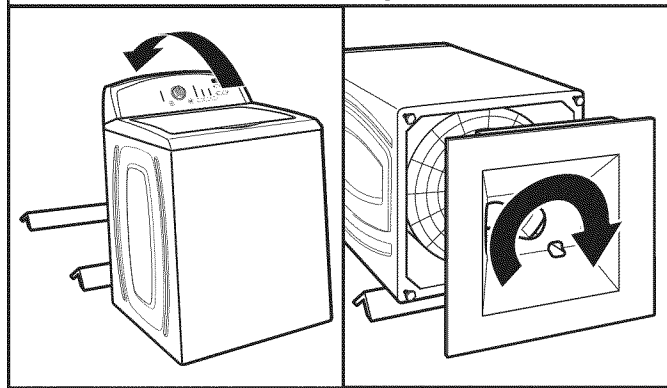
1. Déplacer la laveuse



Déplacer la laveuse à moins de 4 pi (1,2 m) de son emplacement final, elle doit être en position complètement verticale.

REMARQUE: Pour éviter d'endommager le plancher, installer la laveuse sur un carton avant de la déplacer. Assurer que le couvercle est retenu en place avec le ruban adhésif.

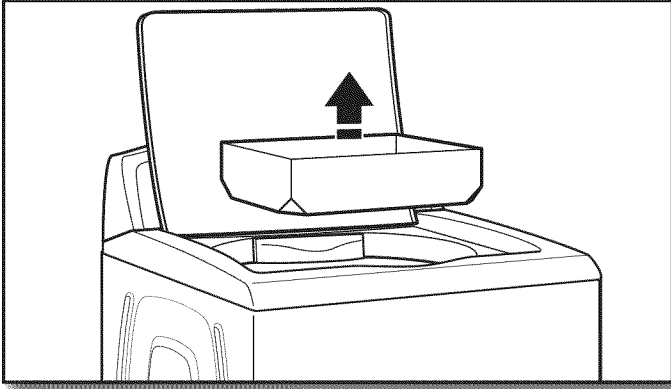
2. Enlever la base d'expédition



Afin d'éviter d'endommager le plancher, placer les supports en carton du carton d'expédition sur le plancher, derrière la laveuse. Incliner la laveuse vers l'arrière et la placer sur les supports en carton. Retirer la base d'expédition en la faisant pivoter de 90° dans le sens horaire. Redresser la laveuse en position verticale.

IMPORTANT : Le retrait de la base d'expédition en polystyrène est nécessaire au bon fonctionnement de l'appareil. Si la laveuse comprend une plaque d'insonorisation, consulter les instructions fournies avec la plaque d'insonorisation pour l'installer maintenant.

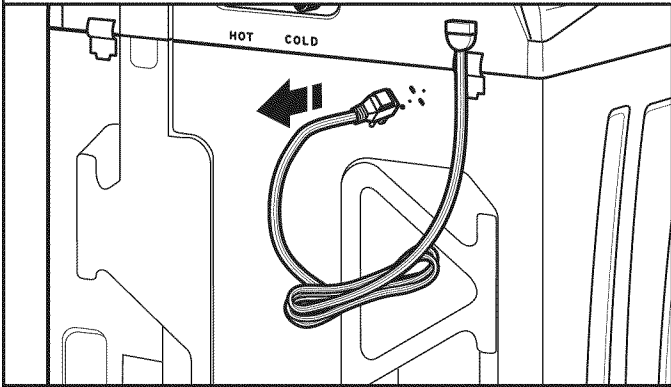
3. Retrait du carton plat de la cuve



Retirer le ruban adhésif du couvercle de la laveuse, ouvrir le couvercle et retirer le carton plat d'emballage de la cuve. Veiller à retirer toutes les pièces du carton plat.

REMARQUE : Conserver le carton plat au cas où il faudrait déplacer la laveuse ultérieurement.

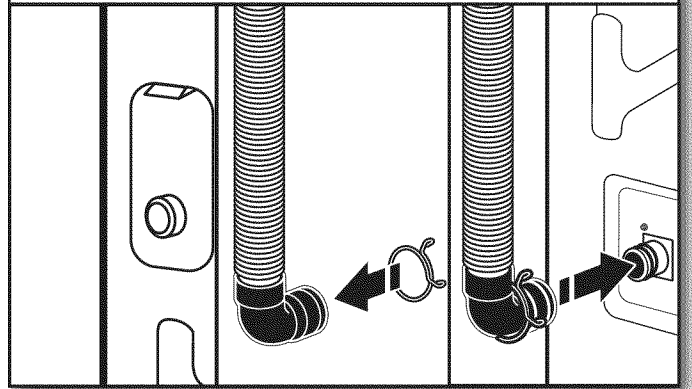
4. Libérer le cordon d'alimentation



Saisir fermement le cordon d'alimentation et le tirer pour le libérer du panneau arrière. Placer délicatement le cordon d'alimentation par dessus la console pour permettre le libre accès à l'arrière de la laveuse.

RACCORDEMENT DU TUYAU DE VIDANGE

5. Fixation du tuyau de vidange à l'orifice de vidange

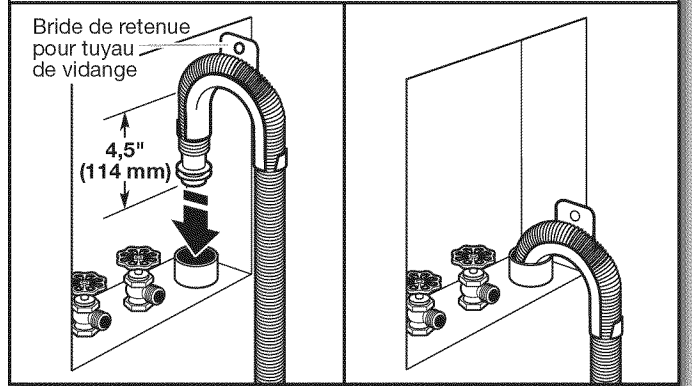


Si la bride n'est pas déjà installée sur l'extrémité coudée du tuyau de vidange, la faire glisser sur l'extrémité tel qu'indiqué. Serrer la bride avec une pince et faire glisser à nouveau l'extrémité coudée du tuyau de vidange sur l'orifice de vidange noir, puis fixer avec la bride.

Pour un évier de buanderie ou un tuyau de rejet à l'égout rigide, passer à l'étape 6.

Pour une vidange au plancher, retirer la bride de retenue pour tuyau de vidange préinstallée tel qu'indiqué à l'étape 7. Des pièces supplémentaires avec des instructions distinctes s'avèreront peut-être nécessaires. Voir "Outillage et pièces".

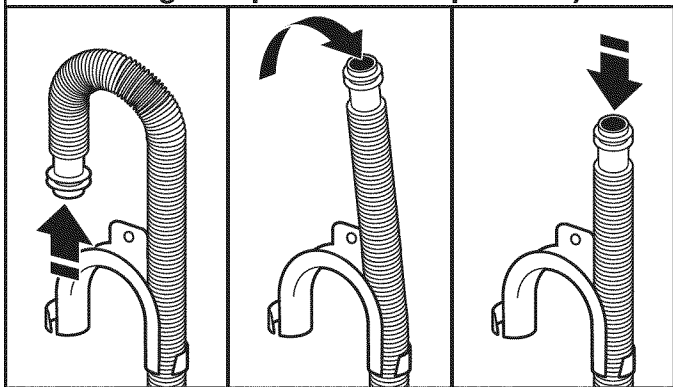
6. Placer le tuyau de vidange dans le tuyau de rejet à l'égout



Placer le tuyau dans le tuyau de rejet à l'égout (illustré sur l'image) ou par-dessus le côté de l'évier de buanderie.

IMPORTANT : 4,5" (114 mm) du tuyau de vidange doit être à l'intérieur du tuyau de rejet à l'égout; ne pas forcer l'excédent de tuyau dans le tuyau de rejet à l'égout ni le placer dans l'évier de buanderie. On doit utiliser la bride de retenue pour tuyau de vidange.

7. Retrait de la bride de retenue pour tuyau de vidange (installations avec vidange au plancher uniquement)



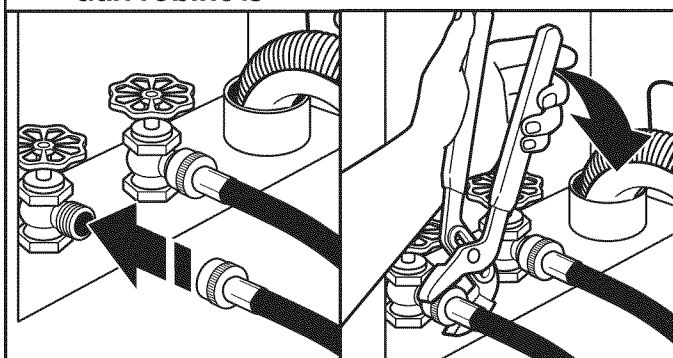
Pour les installations avec vidange au plancher, il faut retirer la bride de retenue pour tuyau de vidange de l'extrémité du tuyau de vidange. Des pièces supplémentaires avec des directives distinctes seront peut-être nécessaires. Voir "Outillage et pièces".

RACCORDEMENT DES TUYAUX D'ARRIVÉE D'EAU

La laveuse doit être raccordée aux robinets à l'aide de tuyaux d'arrivée d'eau neufs dotés de rondelles plates (non compris). Ne pas utiliser de tuyaux usagés.

REMARQUE : Les deux tuyaux doivent être fixés et l'eau doit pénétrer dans les robinets d'arrivée d'eau. Si l'on effectue un raccordement uniquement à un robinet d'eau froide, on doit utiliser un adaptateur en Y (non fourni).

8. Raccorder les tuyaux d'arrivée d'eau aux robinets

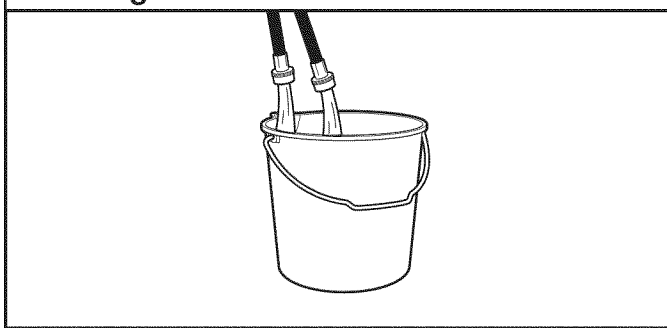


Fixer le tuyau au robinet d'eau chaude. Visser le raccord à la main pour qu'il repose sur la rondelle. Serrer les raccords de deux tiers de tour supplémentaires à l'aide d'une pince. Répéter cette étape avec le deuxième tuyau pour le robinet d'eau froide.

IMPORTANT : Ne pas serrer excessivement ni utiliser de ruban adhésif ou de dispositif d'étanchéité sur la valve lors de la fixation aux robinets ou à la laveuse. Cela pourrait entraîner des dommages.

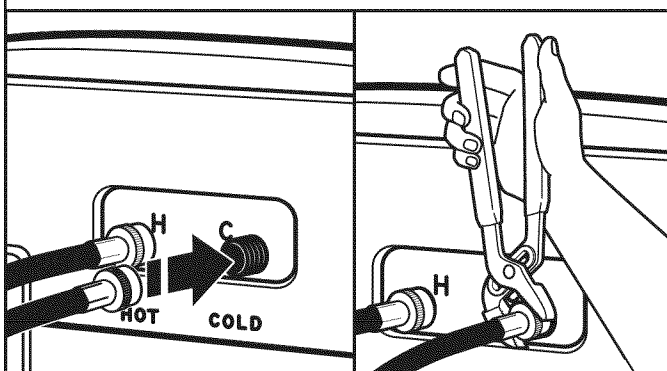
CONSEIL UTILE : Repérer quel tuyau est raccordé à l'eau chaude pour permettre une fixation correcte des tuyaux à la laveuse. Dans la plupart des configurations standard, les tuyaux se croisent lorsque fixés correctement.

9. Purger les canalisations d'eau



Faire couler l'eau par les tuyaux dans l'évier de buanderie, le tuyau de rejet à l'égout ou le seau pendant quelques secondes pour éviter toute obstruction. On doit laisser couler l'eau jusqu'à ce qu'elle soit limpide.

10. Raccorder les tuyaux d'arrivée d'eau à la laveuse

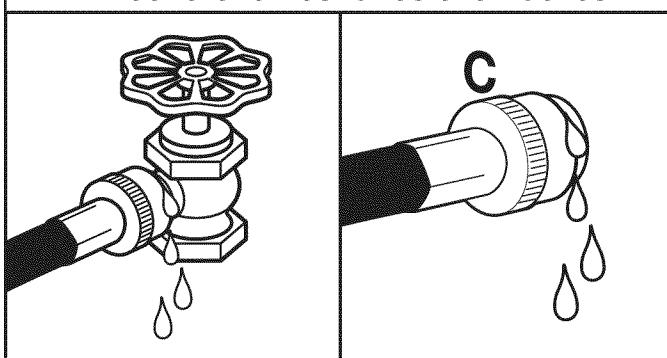


Fixer le tuyau d'eau chaude au robinet d'arrivée d'eau chaude indiquée par une bague rouge. Visser le raccord à la main jusqu'à ce qu'il soit bien serré. Serrer les raccords de deux tiers de tour supplémentaires à l'aide d'une pince. Répéter pour le robinet d'eau froide.

IMPORTANT : Pour réduire le risque de défaillance des tuyaux, remplacer les tuyaux tous les 5 ans. Inscrire la date d'installation ou de remplacement des tuyaux pour référence ultérieure.

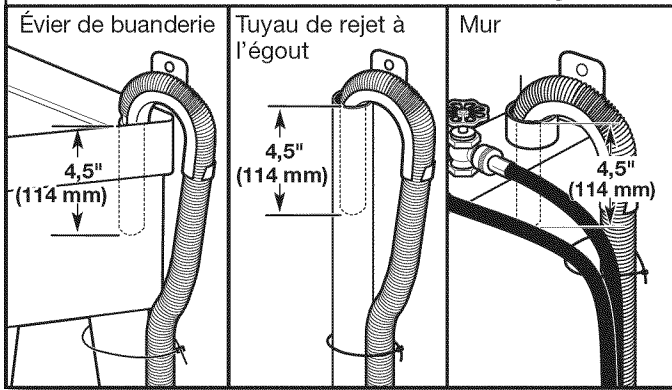
- Inspecter périodiquement les tuyaux et les remplacer en cas de renflement, de déformation, de coupure, d'usure ou si une fuite se manifeste.

11. Rechercher les fuites éventuelles



Ouvrir les robinets d'eau pour vérifier qu'il n'y a pas de fuite. Une petite quantité d'eau peut entrer dans la laveuse. Elle s'évacuera plus tard.

12. Immobiliser le tuyau de vidange

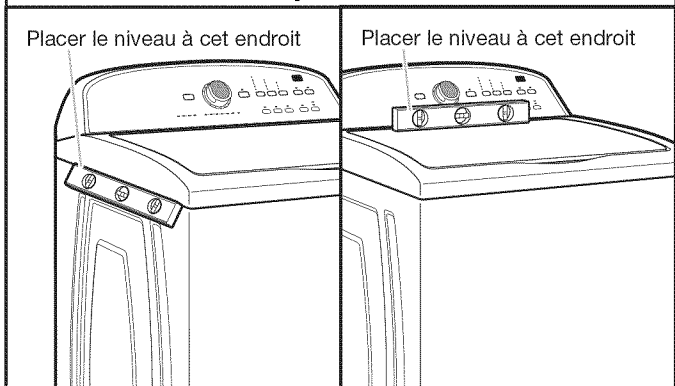


Fixer le tuyau de vidange au pied de l'évier de buanderie, au tuyau de rejet à l'égout ou aux tuyaux d'arrivée d'eau pour le tuyau de rejet à l'égout mural avec l'attache de fixation perlée.

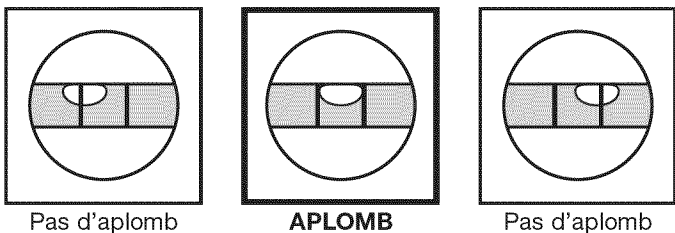
ÉTABLISSEMENT DE L'APLOMB DE LA LAVEUSE

IMPORTANT : L'établissement correct de l'aplomb de la laveuse permet de réduire les nuisances sonores et de limiter les vibrations.

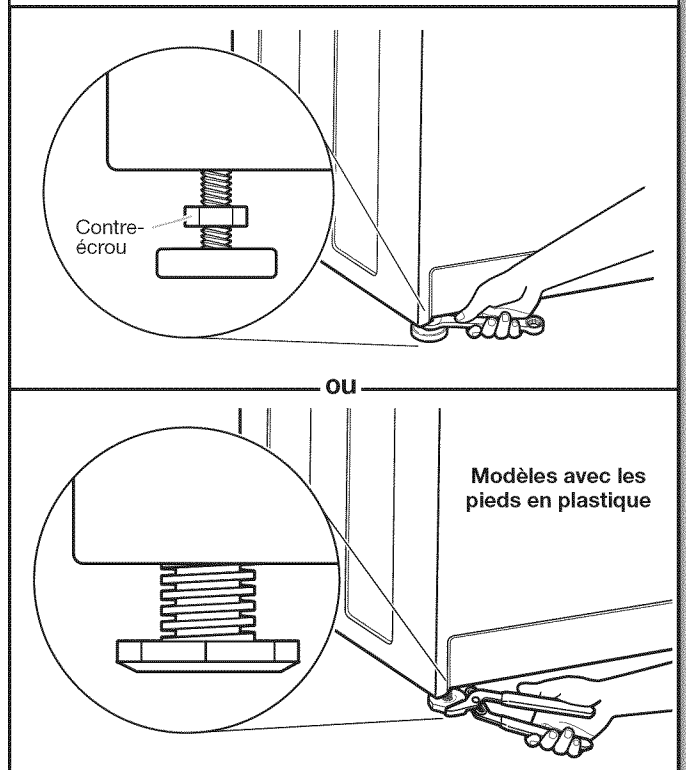
13. Contrôler l'aplomb de la laveuse



Une fois la laveuse est à son emplacement final, placer un niveau sur les bords supérieurs de la laveuse. Utiliser une rive latérale comme guide pour déterminer l'aplomb des côtés. Vérifier l'aplomb de l'avant à l'aide du couvercle, tel qu'indiqué. Faire bouger la laveuse d'avant en arrière pour s'assurer que les quatre pieds sont bien en contact avec le plancher. Si la laveuse est d'aplomb, passer à l'étape 15 (sur les modèles avec les pieds en métal) ou l'étape 16 (sur les modèles avec les pieds en plastique).



14. Ajuster les pieds de nivellement



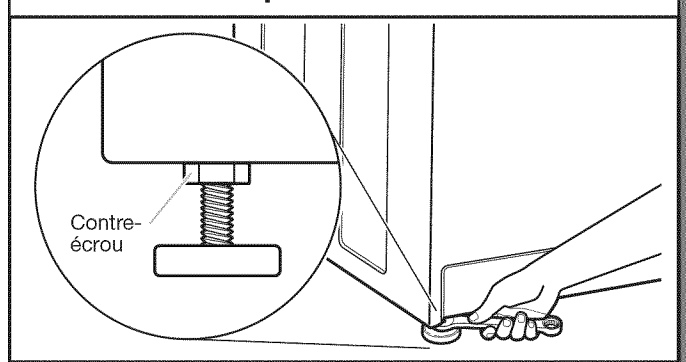
Si la laveuse n'est pas d'aplomb :

Sur les modèles avec les pieds en métal, utiliser une clé plate ou une clé à molette de 9/16" ou 14 mm pour tourner les contre-écrous dans le sens horaire jusqu'à ce qu'ils se trouvent à environ 1/2" (13 mm) de la caisse de la laveuse. Tourner ensuite le pied de nivellement dans le sens horaire pour abaisser la laveuse ou antihoraire pour la soulever.

Sur les modèles avec les pieds en plastique, utiliser une pince réglable pour tourner le pied de nivellement dans le sens antihoraire pour abaisser la laveuse ou horaire pour la soulever. Sur tous les modèles, contrôler à nouveau l'aplomb de la laveuse et répéter au besoin.

CONSEIL UTILE : Il serait judicieux de soulever l'avant de la laveuse d'environ 4" (102 mm) à l'aide d'une cale en bois ou d'un objet similaire qui soutiendra le poids de la laveuse.

15. Serrer les pieds de nivellement



Sur les modèles avec les pieds en métal, une fois l'aplomb de la laveuse établi, utiliser une clé plate ou une clé à molette de 9/16" ou 14 mm pour tourner les contre-écrous sur les pieds de nivellement dans le sens anti-horaire et les serrer fermement contre la caisse de la laveuse.

CONSEIL UTILE : Il serait judicieux d'étayer la laveuse à l'aide d'une cale en bois.

⚠ AVERTISSEMENT



Risque de choc électrique

Brancher sur une prise à 3 alvéoles reliée à la terre.

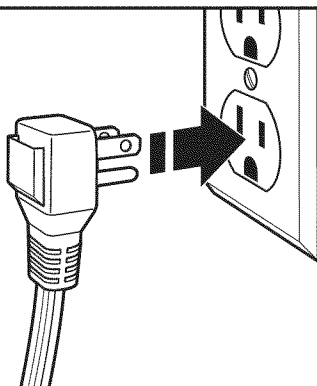
Ne pas enlever la broche de liaison à la terre.

Ne pas utiliser un adaptateur.

Ne pas utiliser un câble de rallonge.

Le non-respect de ces instructions peut causer un décès, un incendie ou un choc électrique.

16. Brancher sur une prise à 3 alvéoles reliée à la terre



LISTE DE VÉRIFICATION POUR L'ACHÈVEMENT DE L'INSTALLATION

- Consulter les spécifications électriques. S'assurer de disposer d'une source d'électricité appropriée et d'une liaison à la terre conforme à la méthode recommandée.
- Vérifier que toutes les pièces sont maintenant installées. S'il reste une pièce, passer en revue les différentes étapes pour découvrir laquelle aurait été oubliée.
- Vérifier la présence de tous les outils.
- Vérifier que tout le matériel d'expédition a été retiré de la laveuse.
- Vérifier que les robinets d'eau sont ouverts.
- Vérifier qu'il n'y a pas de fuite autour des robinets et des tuyaux d'arrivée d'eau.
- Ôter la pellicule protectrice de la console et tout ruban adhésif resté sur la laveuse.
- Vérifier que la laveuse est branchée sur une prise de courant à 3 alvéoles reliée à la terre.
- Éliminer/recycler tous les matériaux d'emballage.
- Lire "Entretien de la laveuse" dans le Guide d'utilisation et d'entretien.
- Pour tester et nettoyer la laveuse, mesurer la moitié de la quantité normale recommandée de détergent en poudre ou liquide et la verser dans le panier de la laveuse ou le distributeur de détergent (sur certains modèles). Fermer le couvercle. Sélectionner n'importe quel programme. Mettre la laveuse en marche et la laisser exécuter un programme complet.