

operating instructions and parts list

Kenmore RANGE HOOD



Kenmore. Solid as SEARS
Sold by Sears, Roebuck and Co., Chicago, IL 60684

READ AND SAVE THESE INSTRUCTIONS

Please read the instructions in this booklet and in the installation instructions before you install and use your range hood. By doing so you will be sure of obtaining the full benefits of the quality and convenience built into your range hood. It will also avoid needless service expense resulting from causes beyond our control which cannot be covered in our warranty.

Failure to follow these instructions could invalidate the warranty, cause a malfunction, and result in death, serious bodily injury, and/or property damage.

- 1 ALL ELECTRICAL WORK MUST BE DONE IN ACCORDANCE WITH LOCAL AND/OR NATIONAL ELECTRICAL CODE AS APPLICABLE.

FOR SAFETY, THIS PRODUCT MUST BE GROUNDED. IF YOU ARE UNFAMILIAR WITH METHODS OF INSTALLING ELECTRICAL WIRING, SECURE THE SERVICES OF A QUALIFIED ELECTRICIAN.

- 2 TURN OFF POWER AT SERVICE ENTRANCE BEFORE INSTALLING, WIRING OR SERVICING THIS PRODUCT.
- 3 Use only metal duct. DO NOT USE PLASTIC DUCT! Tape all duct connections
- 4 **CAUTION: (Ducted Fans Only) Always vent this product to the outside - NOT into spaces within walls or ceilings, attics, crawl spaces, garages, etc.**
- 5 To avoid motor bearing damage and noisy

and/or unbalanced impellers, keep drywall spray, construction dust, etc. off power unit.

- 6 For best capture of cooking impurities, your range hood should be mounted 18-24" above the cooking surface.
- 7 Fireplaces, gas furnaces, water heaters and the like, require proper flow of combustion air and exhaust. To prevent this flow from being altered by an exhaust fan, follow the heating equipment manufacturer's guidelines and see safety standards such as those published by NFPA and ASHRAE.
- 8 Please read specification label on product for further information and requirements

HOW TO AVOID A COMMON RANGE-TOP GREASE FIRE

- Your range hood provides a protective barrier between the cooking surface and the cabinets
- Keep fan, filters and grease laden surfaces CLEAN according to instructions.
- Always turn hood ON when cooking at high heat to keep the cooking area clean and the hood cooler
- Use high heat settings only when necessary.
- Never leave cooking surface unattended. Boil-over causes smoking and greasy spillovers that may ignite.
- Always use adequate-sized utensils.
- If preparing flaming foods, such as Cherries Jubilee, always turn hood ON to HIGH to prevent a high heat situation which can cause damage or fire

HOW TO EXTINGUISH A COMMON RANGE-TOP GREASE FIRE

- Never pick up a flaming pan. If dropped, flames can spread quickly.
- DO NOT USE WATER! A violent steam explosion may result. Wet dishcloths or towels are also dangerous.
- Smother flames with a close fitting lid, cookie sheet or metal tray
- Flaming grease can also be extinguished with baking soda or a multi-purpose dry chemical extinguisher
- Turn off surface units - If you can do so without getting burned.

OPERATING INSTRUCTIONS

The 510 series hood may be installed as either a vented or ventless hood using the kits listed below. Purchase these kits at any Sears store.

INSTALLING A VENTED HOOD

- 1 Purchase a 59101 Vented Kit, which contains:
 - 1 - Black plastic vent cover
 - 1 - Damper/duct connector (fits 3-1/4" x 10" duct)
- 2 Snap the black vent cover over the vents in the hood front
- 3 Install the damper/duct connector

INSTALLING A VENTLESS HOOD

1. Purchase a 50183 Ventless Kit, which contains one Clean Cooking System I filter

Filter Replacement

Filters on the 510 series hood are removed by turning the filter retaining clip to the side and lifting the filter out. In the vented version, turn the filter retaining clip to one side and place the aluminum filter under the embossed retaining tabs on the back of the fan housing. Turn the retaining clip so that the low end of the clip holds the filter in place.

In the ventless version, place the Clean Cooking System I filter under the aluminum filter with the blue side next to the fan blade. Place the filters under the retaining tabs on the back of the fan housing and turn the filter retainer clip so that the high end of the clip holds both filters in place. **MAKE SURE THAT THE BLUE SIDE OF THE CLEAN COOKING SYSTEM FILTER IS NEXT TO THE FAN BLADE WHEN THE FILTER IS INSTALLED.**

NOTE: Make sure that the arrows on the filter retaining clip point toward the front and back of the hood.

The aluminum filter on the 516 series is removed by turning the retaining clip toward the back of the hood. When replacing the filter, hook the filter into the two retaining tabs on the right side of the hood and turn the retaining tab to secure the left side. **BE SURE TO POSITION WIRES FROM MOTOR IN RECESS ON FILTER SO THAT WIRES ARE NOT PINCHED UNDER FILTER**

Switches

The fan and light are each controlled by a rocker switch. The light switch has two positions, "ON" and "OFF". The fan switch has three positions - "HIGH", "LOW", and "OFF" ("OFF" is the middle position.)

Cleaning

Always disconnect the electricity from the range hood before servicing. Keep your range hood clean by using a mild detergent suitable for painted surfaces. **DO NOT USE ABRASIVE CLOTH, STEEL WOOL PADS OR SCOURING POWDERS.** The fan assembly is designed to be easily removed for cleaning. See "Fan Assembly Removal" below.

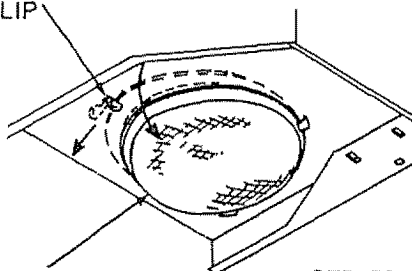
Aluminum filters are dishwasher safe. Avoid extremely caustic cleaning agents, however. They may discolor the aluminum. Clean filters once a month.

Do not wash the Clean Cooking System I filter used in ventless hoods. Washing the filter will destroy its effectiveness. The Clean Cooking System I filter will last up to twelve months with normal use. Replace the filter whenever the blue side becomes noticeably dirty or discolored.

Light Bulb Replacement

The light bulb (not supplied with hood) should be 75 Watt maximum. Remove the light lens covering the bulb by pressing the two extending tabs together until they release from the retaining slots in the hood.

FILTER
RETAINING
CLIP

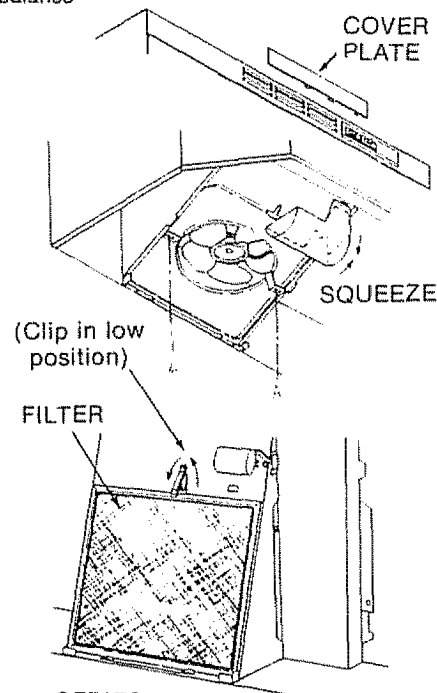


ALUMINUM
FILTER

SERIES
516

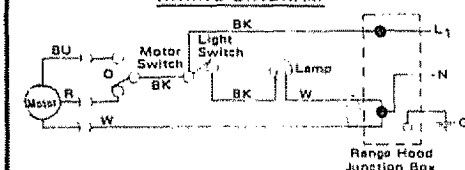
To Remove Fan Assembly

Make sure that power is disconnected. Remove filter. Remove two screws holding motor bracket to range hood. Unplug fan assembly. Be careful not to allow fan assembly to drop when screws are removed. Be careful not to bend or damage the fins on the blade — they will be put out of balance.



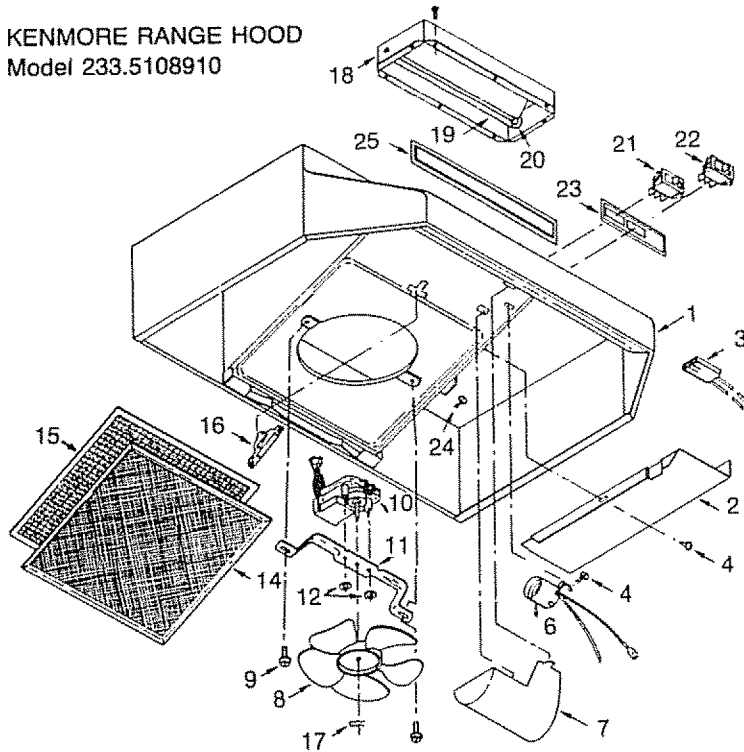
SERIES
510

WIRING DIAGRAM

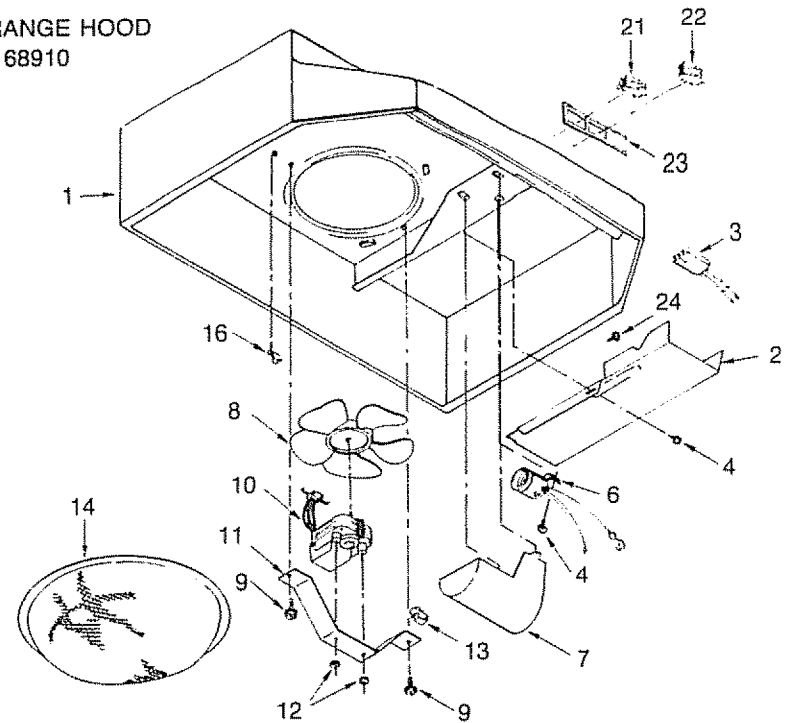


Note - If any of the original wire on the hood has to be replaced, it should be replaced by wiring having equivalent insulation and temperature rating (105°C Thermoplastic AWM, U.L. Listed)

KENMORE RANGE HOOD
Model 233.5108910



KENMORE RANGE HOOD
Model 233.5168910



KEY NO.	233.5108910 PART NO.	233.5168910 PART NO.	DESCRIPTION
1	97009024	97009033	Canopy - 24" White
	97009025	97009034	Canopy - 24" Almond
	97009026	97009035	Canopy - 24" Stainless Steel
	97009027	97009036	Canopy - 30" White
	97009028	97009037	Canopy - 30" Almond
	97009029	97009038	Canopy - 30" Stainless Steel.
	97009030	97009039	Canopy - 36" White
	97009031	97009040	Canopy - 36" Almond
	97009032	97009041	Canopy - 36" Stainless Steel
2	98006621	98006621	Outlet Box Cover
3	97005678	97005678	Motor Receptacle with Wires
4	99150478	99150478	Sheet Metal Screw 8-18 x 3/8 Phil Truss*
6	97005675	97005675	Bulb Holder with Wires
7	99110437	99110437	Light Lens
8	99020123	99020123	Fan Blade
9	99160304	99160304	Machine Screw 10-24 x 3/8 Slotted*
10	99080218	99080219	Motor
11	98005568	98006765	Motor Mounting Bracket
12	99260428	99260428	Locking Nut 6-32*
13	-----	99420421	Wire Lead Clip

KEY NO.	233.5108910 PART NO.	233.5168910 PART NO.	DESCRIPTION
14	97006931	99010122	Aluminum Filter
15	97007996	-----	Clean Cooking System I Filter (Ventless Model)
16	99420472	99420420	Filter Retaining Clip
17	99420040	-----	Blade Retaining Clip
18	97005544	-----	Damper Assembly
19	98005221	-----	Damper Flap
20	99100379	-----	Damper Bushing
21	99030172	99030172	2-Speed Motor Switch
22	99030171	99030171	Light Switch
23	99090620	99090620	Nameplate
24	99150471	99150471	Self-Tapping Screw 10-32 x 1/2 Green Binder*
25	99090516	-----	Vent Cover
**	-----	99260473	Nut, Sheet Metal "U" Type
**	97008257	-----	Nuts, Sheet Metal (Contains 2 Nuts)
**	-----	-----	Light Bulb, 75 Watt (Not Included)
**	99041318	99041318	Installation Instructions
**	99041320	99041320	Operation Instructions and Parts List

*Standard Hardware. May be purchased locally.

**Not Illustrated.

operating instructions and parts list

Kenmore RANGE HOOD

MODEL NUMBERS

233.5108910
233.5168910

The Model Number will be found on a label located on the inside of hood canopy Always mention the Model Number when requesting service or repair parts for your hood

All parts listed herein may be ordered from any **Sears, Roebuck and Co.** RETAIL OR CATALOG STORE. When ordering parts by mail, selling prices will be furnished on request or parts will be shipped at prevailing prices and you will be billed accordingly.

WHEN ORDERING REPAIR PARTS, ALWAYS GIVE THE FOLLOWING INFORMATION AS SHOWN IN THIS LIST

- 1 The PART NUMBER
- 2 The PART DESCRIPTION
- 3 The MODEL NUMBER and COLOR
4. The NAME of ITEM Range Hood

If the parts you need are not stocked locally, your order will be electronically transmitted to a Sears Repair Parts Distribution Center for expedited handling

LIMITED WARRANTY

If within one year from the date of installation any part of this range hood fails to function properly due to a defect in material or workmanship, Sears will repair the part or furnish and install a new part, free of charge

If within 30 days from the date of installation the finish on any painted or bright metal parts of this range hood is defective in material or workmanship, Sears will furnish and install a new part, free of charge.

WARRANTY SERVICE IS AVAILABLE BY SIMPLY CONTACTING THE NEAREST SEARS STORE OR SERVICE CENTER THROUGHOUT THE UNITED STATES

This warranty applies only while this product is in use in the United States. This warranty gives you specific legal rights and you may also have other rights which vary from state to state

Sears, Roebuck and Co., Sears Tower, Dept. 698/731A, Chicago, IL 60684

Kenmore. Solid as SEARS
Sold by Sears, Roebuck and Co., Chicago, IL 60684