



# Range Hood

Use & Care / Installation Manual

# Campana de cocina

Manual de uso y cuidado / instalación

- |         |                                     |                                     |
|---------|-------------------------------------|-------------------------------------|
| Models  | 233.52340590 (30" wide - Stainless) | 233.52540590 (42" wide - Stainless) |
| Modelos | 233.52344590 (30" wide - Bisque)    | 233.52544590 (42" wide - Bisque)    |
|         | 233.52345590 (30" wide - White)     | 233.52545590 (42" wide - White)     |
|         | 233.52349590 (30" wide - Black)     | 233.52549590 (42" wide - Black)     |
|         | 233.52440590 (36" wide - Stainless) |                                     |
|         | 233.52444590 (36" wide - Bisque)    |                                     |
|         | 233.52445590 (36" wide - White)     |                                     |
|         | 233.52449590 (36" wide - Black)     |                                     |

ENGLISH  
ESPAÑOL



# READ AND SAVE THESE INSTRUCTIONS

## TABLE OF CONTENTS

SECTION .....	PAGE
Warranty .....	2
Safety Instructions .....	2
Operation .....	3
Cleaning .....	3
Parts Included With Hood .....	4
Parts Not Included With Hood .....	4
Tools Needed .....	4
Equivalent Duct Length Chart .....	5
Prepare The Hood Location .....	6
Prepare The Hood (All Installations) .....	7
Prepare The Hood (Ducted Installations) .....	8, 9
Prepare The Hood (Non-Ducted Installations) .....	10, 11
Connect The Wiring .....	12
Install The Hood .....	13
Service Parts .....	14, 15

## WARRANTY

If within 1 year from the date of installation, any part of this range hood fails to function properly due to a defect in material or workmanship, Sears will repair the part or furnish and install a new part, free of charge.

### FULL 30-DAY WARRANTY ON FINISH ON PAINTED OR BRIGHT METAL PARTS

If within 30 days from the date of installation, the finish on any painted or bright metal parts of this range hood is defective in material or workmanship, Sears will furnish and install a new part, free of charge.

### WARRANTY SERVICE IS AVAILABLE BY CONTACTING THE NEAREST SEARS SERVICE CENTER/DEPARTMENT IN THE UNITED STATES.

This warranty applies only while this product is in use in the United States. This warranty gives you specific legal rights and you may have other rights which vary from state to state.

**Sears, Roebuck and Co., Dept 817WA, Hoffman Estates, IL 60179**

## SAFETY INSTRUCTIONS

### ⚠ INTENDED FOR DOMESTIC COOKING ONLY. ⚠

#### WARNING ⚠ ⚠

**TO REDUCE THE RISK OF FIRE, ELECTRIC SHOCK, OR INJURY TO PERSONS, OBSERVE THE FOLLOWING:**

1. Use this unit only in the manner intended by the manufacturer. If you have questions, contact the manufacturer at the address listed in the warranty.
2. Before servicing or cleaning unit, switch power off at service panel and lock the service disconnecting means to prevent power from being switched on accidentally. When the service disconnecting means cannot be locked, securely fasten a prominent warning device, such as a tag, to the service panel.
3. Installation work and electrical wiring must be done by a qualified person(s) in accordance with all applicable codes and standards, including fire-rated codes and standards.
4. Sufficient air is needed for proper combustion and exhausting of gases through the flue (chimney) of fuel burning equipment to prevent backdrafting. Follow the heating equipment manufacturer's guideline and safety standards such as those published by the National Fire Protection Association (NFPA), and the American Society for Heating, Refrigeration and Air Conditioning Engineers (ASHRAE), and the local code authorities.
5. When cutting or drilling into wall or ceiling, do not damage electrical wiring and other hidden utilities.
6. To reduce the risk of fire or electric shock, do not use this range hood with an additional speed control device.
7. Ducted fans must always be vented to the outdoors.
8. To reduce the risk of fire, use only metal ductwork.
9. Use with approved cord-connection kit only.
10. This unit must be grounded.

**TO REDUCE THE RISK OF A RANGE TOP GREASE FIRE:**

1. Never leave surface units unattended at high settings. Boilovers cause smoking and greasy spillovers that may ignite. Heat oils slowly on low or medium settings.
2. Always turn hood ON when cooking at high heat or when cooking flaming foods.
3. Clean ventilating fans frequently. Grease should not be allowed to accumulate on fan or filter.
4. Use proper pan size. Always use cookware appropriate for the size of the surface element.

#### WARNING ⚠ ⚠

**TO REDUCE THE RISK OF INJURY TO PERSONS IN THE EVENT OF A RANGE TOP GREASE FIRE, OBSERVE THE FOLLOWING:\***

1. SMOTHER FLAMES with a close-fitting lid, cookie sheet, or metal tray, then turn off the burner. BE CAREFUL TO PREVENT BURNS. If the flames do not go out immediately, EVACUATE AND CALL THE FIRE DEPARTMENT.
  2. NEVER PICK UP A FLAMING PAN - You may be burned.
  3. DO NOT USE WATER, including wet dishcloths or towels - a violent steam explosion will result.
  4. Use an extinguisher ONLY if:
    - A. You know you have a Class ABC extinguisher and you already know how to operate it.
    - B. The fire is small and contained in the area where it started.
    - C. The fire department is being called.
    - D. You can fight the fire with your back to an exit.
- \* Based on "Kitchen Firesafety Tips" published by NFPA.

#### CAUTION ⚠

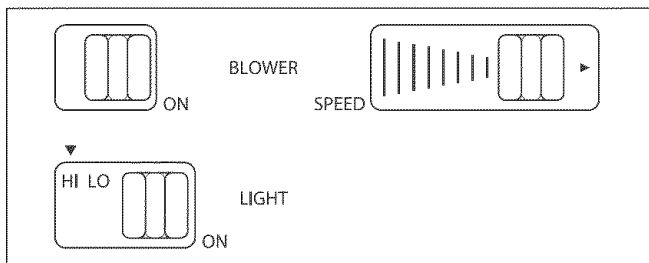
1. For general ventilating use only. Do not use to exhaust hazardous or explosive materials and vapors.
2. To avoid motor bearing damage and noisy and/or unbalanced impellers, keep drywall spray, construction dust, etc. off power unit.
3. For best capture of cooking impurities, your range hood should be mounted so that the top of the hood is 24-30" above the cooking surface.
4. Use only with range hood cord-connection kits that have been investigated and found acceptable for use with this model range hood.
5. Please read specification label on product for further information and requirements.

#### NOTE

**If hood is to be installed Non-Ducted:**

- Purchase a non-ducted filter from your local distributor or retailer and install it beneath the aluminum mesh filter.

## OPERATION



### Speed

Infinite speed slide control controls blower speed.

### Blower

Turns the blower "ON" and "OFF".

When the blower is turned "OFF", the speed control remains at the preset speed. When the blower is turned on again, it will return to the previously chosen setting.

### Light

Turns the light "ON" and "OFF".

First position turns on both bulbs for normal lighting.

Second position turns off the left side bulb. If you want a night-light feature, combine a 75 Watt bulb (on the left) and a 25 Watt bulb (on the right).

Third position turns both bulbs "OFF".

Maximum bulb rating is 75 Watts. Do not install bulbs rated higher than 75 Watts.

## CLEANING



**WARNING:** To reduce the risk of electric shock, disconnect from power supply before cleaning.

### Aluminum mesh filters

Clean frequently using hot water and a mild detergent or in your dishwasher. The aluminum mesh filters should be washed approximately every month depending on the amount of usage. Wash more often if your cooking style generates greater grease - like frying foods or wok cooking.

### Non-ducted filters (Clean Cooking hoods only)

*(available separately - see page 4)*

Clean filter surfaces frequently with a damp cloth and a mild detergent. DO NOT immerse filters in water or put in dishwasher. With normal hood use, replace the non-ducted filters approximately every 6 months. Replace filters more often as hood use increases.

### Painted hood surfaces

Wiping regularly with mild soap/detergent and warm water should protect painted hood surfaces. Be cautious about using "New and Improved" cleaning agents. Your hood is installed over hot cooking equipment. Most chemicals found in cleaning agents react with heat to loosen paint.

### Stainless steel hood surfaces

Stainless steel hoods should be washed regularly with a clean cloth, warm water and mild soap or dish detergent. Clean in the direction of the polish lines. Rinse well with clear water and wipe dry immediately. You may wish to apply light oil used for furniture polishing to emphasize its bright finish.

### Blower assembly

Blower assembly can be cleaned with a damp cloth and mild detergent. Use care when cleaning blower wheels - they must not become bent or misaligned. DO NOT ALLOW WATER TO ENTER MOTOR. Make sure all surfaces are completely dry before re-installing filters and restoring power.

Motor is permanently lubricated. Do not oil or disassemble motor.

Warranty

Safety

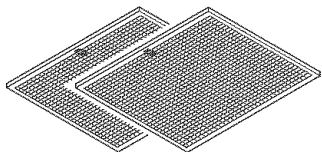
Operation

Cleaning

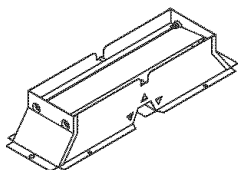
Installation

Service Parts

## PARTS INCLUDED WITH HOOD



**Aluminum Grease Filters**



**Damper / Duct Connector**  
(For use with 3¼" x 10" duct)



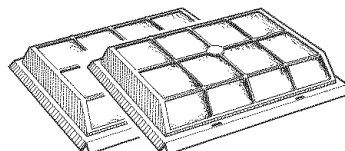
**Parts Bag**  
(4 hood mounting screws inside)

## PARTS NOT INCLUDED WITH HOOD\*

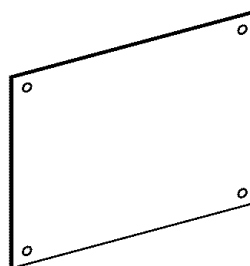


**Light Bulbs**  
(75 W Maximum)  
(2 per hood)  
Purchase locally.

### OPTIONAL PARTS (purchase separately)

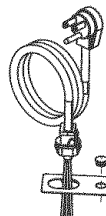


**Non-Ducted Filter Kit**  
(Clean Cooking Filter)  
(2 per hood)  
Sears Part No. 50185



**Splashplate**  
Sears Part Nos.

58120	30"	Black/Bisque
58128	30"	White/Almond
58129	30"	Stainless
58130	36"	Black/Bisque
58138	36"	White/Almond
58139	36"	Stainless
58140	42"	Black/Bisque
58148	42"	White/Almond
58149	42"	Stainless



**Cord Kit**  
(Allows hood to be plugged into a standard 120 VAC wall outlet)  
Sears Part No. 233.22HCK44D

**Ducting Accessories**  
(See "Equivalent Duct Length Chart" on page 5 for Ducting Accessory Model Nos.)

\*"Parts Not Included With Hood" available by calling Sears at 1-800-4-MY-HOME®

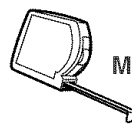
## TOOLS NEEDED FOR HOOD INSTALLATION



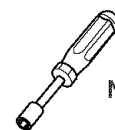
**Screwdriver**  
(Flat & Phillips)



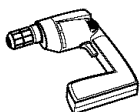
**Pencil**



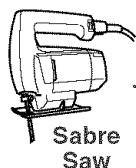
**Tape Measure**



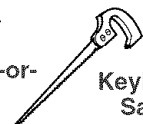
**1/4" Nutdriver**



**Drill**



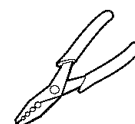
**Sabre Saw**



**-or- Keyhole Saw**



**Duct Tape**



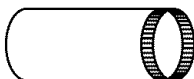
**Wire Stripper**

# EQUIVALENT DUCT LENGTH CHART

Kenmore range hoods are designed to perform efficiently when attached to long runs of duct. As a point of reference, this hood will function at approximately 80% of its rated air flow when 200 equivalent feet of 7" round ductwork is attached. Use this chart to calculate the equivalent duct length of your system.



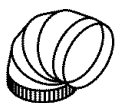
**Broan Model 401**  
Straight Duct  
3¼-in. x 10-in. x 2-ft. long  
Equivalent length  
**2 ft.**



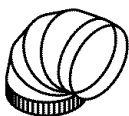
**Broan Model 406**  
Straight Duct  
6-in. round x 2-ft. long  
Equivalent length  
**2 ft.**



**Broan Model 407**  
Straight Duct  
7-in. round x 2-ft. long  
Equivalent length  
**2 ft.**



**Broan Model 419**  
6-in. Round Elbow  
Equivalent length  
**8 ft.**



**Broan Model 415**  
7-in. Round Elbow  
Equivalent length  
**8 ft.**



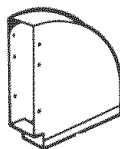
**Sears Model 59581**  
3¼-in. x 10-in. to  
6-in. Round Transition  
Equivalent length  
**5.5 ft.**



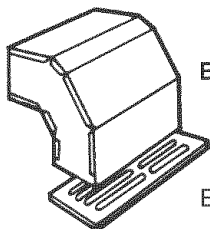
**Broan Model 412H**  
3¼-in. x 10-in. to  
7-in. Round  
Transition  
Equivalent length  
**5.5 ft.**



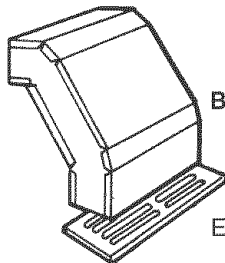
**Broan Model 428**  
3¼-in. x 10-in.  
Right-angle Elbow  
Equivalent length  
**8.5 ft.**



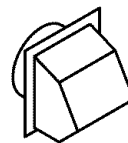
**Broan Model 429**  
3¼-in. x 10-in.  
Right-angle Flat Elbow  
Equivalent length  
**24 ft.**



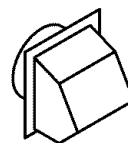
**Broan Model 430**  
3¼-in. x 10-in.  
Right-angle  
Short  
Eave Elbow  
Equivalent length  
**15 ft.**



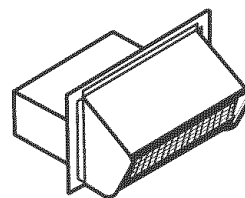
**Broan Model 431**  
3¼-in. x 10-in.  
Right-angle  
Long  
Eave Elbow  
Equivalent length  
**15 ft.**



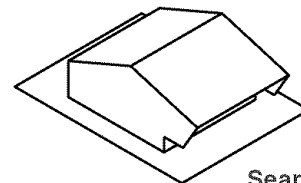
**Sears Model 59691**  
6-in. Round  
Wall Cap  
Equivalent length  
**34 ft.**  
(6-ft. w/o damper)



**Broan Model 647**  
7-in. Round  
Wall Cap  
Equivalent length  
**34 ft.**  
(6-ft. w/o damper)



**Sears Model 59391**  
3¼-in. x  
10-in.  
Wall Cap  
Equivalent  
length  
**45 ft.**  
(7-ft. w/o damper)



**Sears Model 59091**  
Roof Cap  
(accepts 7-in. round  
or 3¼-in. x 10-in. duct)  
Equivalent length  
**30 ft.** (7-ft. w/o damper)

Sears Model "Ducting Accessories" available by calling:  
Sears at 1-800-4-MY-HOME®

Broan Model "Ducting Accessories" available by calling:  
1-800-558-1711.

Warranty

Safety

Operation

Cleaning

Installation

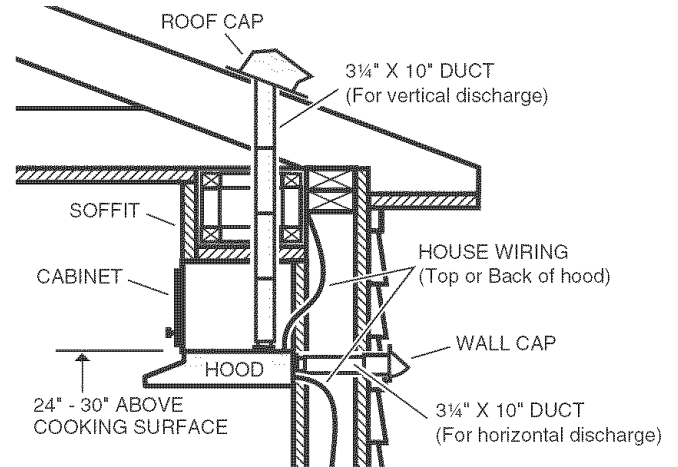
Service Parts

## PREPARE THE HOOD LOCATION

1. Determine whether hood will discharge vertically, horizontally, or non-ducted.

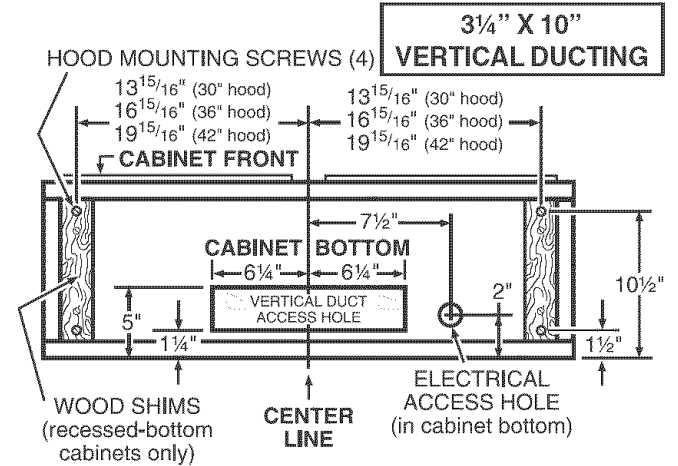
For vertical or horizontal discharge, run ductwork between the hood location and a roof cap or wall cap.

For best results, use a minimum number of transitions and elbows.

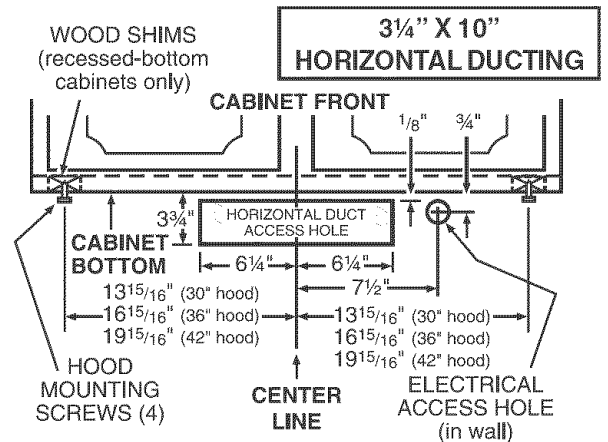


2. Use these diagrams for proper placement of ductwork and electrical cutout in cabinet or wall.

For a non-ducted installation, DO NOT cut a duct access hole.

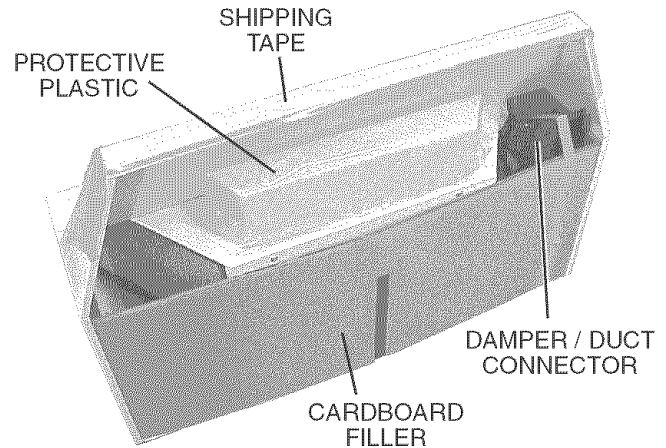


3. Run house wiring between service panel and hood location.

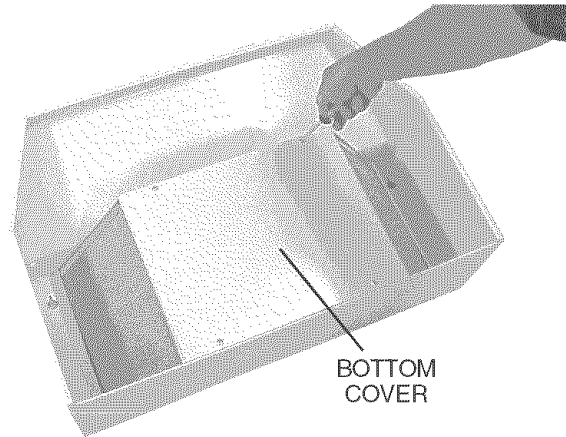


## PREPARE THE HOOD (All Installations)

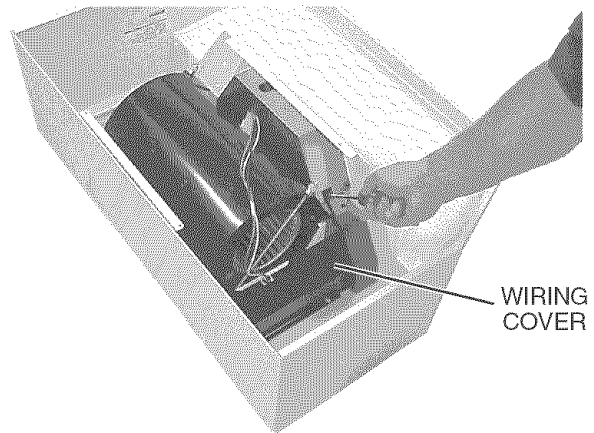
1. Remove and discard: **Shipping Tape** from nose of hood, **Protective Plastic** from light lens, and **Cardboard Filler** from bottom of hood.  
Remove and set aside: **Damper / Duct Connector**.



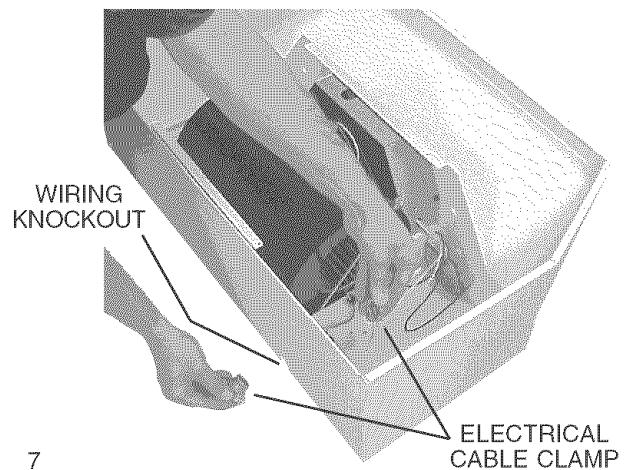
2. Remove **Bottom Cover** from hood. Set cover and mounting screws aside.



3. Remove **Wiring Cover** from hood. Set cover and mounting screw aside.



4. Remove either top or back **Wiring Knockout** and install approved **Electrical Cable Clamp**.



Warranty

Safety

Operation

Cleaning

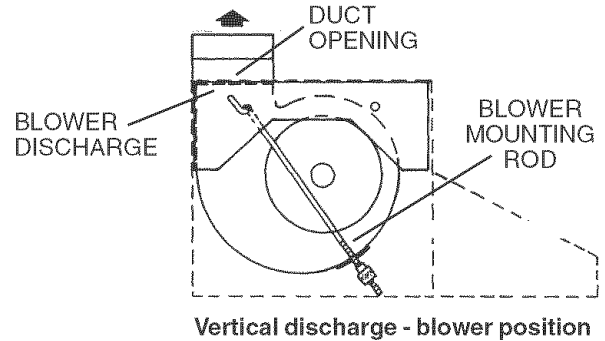
Installation

Service Parts

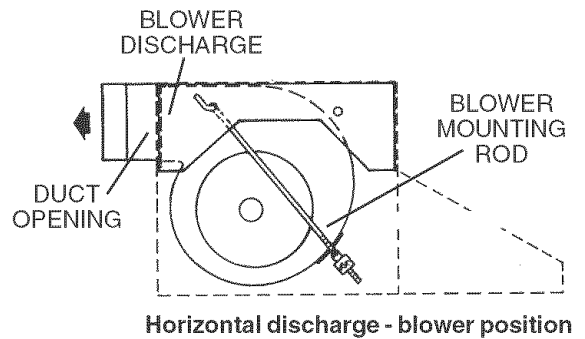
## PREPARE THE HOOD (Ducted Installations)

1. Choose the correct blower position for your installation.

For vertical discharge: Make sure that the **Blower Discharge** lines up with the **Duct Opening** in the top of the hood. Lift up the blower, slip the blower mounting rods into brackets on blower and tighten knurled nuts securely. Plug in blower.

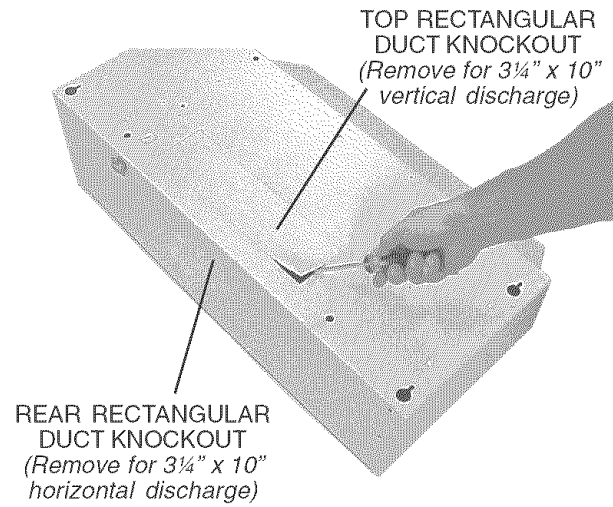


For horizontal discharge: Make sure that the **Blower Discharge** lines up with the **Duct Opening** in the top of the hood. Lift up the blower, slip the **Blower Mounting Rods** into brackets on blower and tighten knurled nuts securely. Plug in blower.

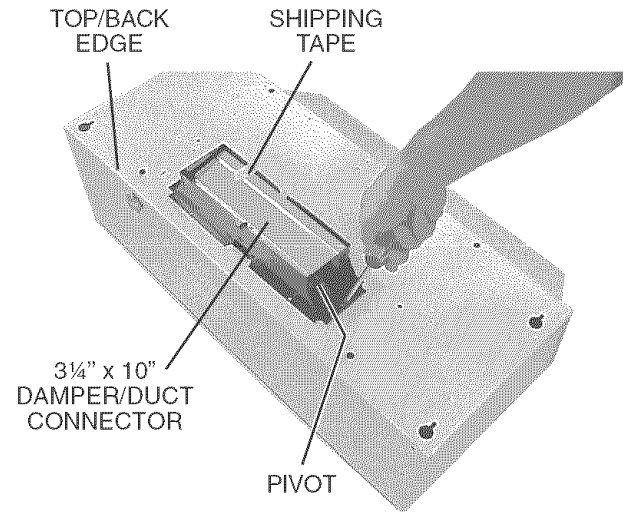




2. Remove appropriate **Duct Knockout(s)** from top or back of hood.



3. Attach **3¼" x 10" Damper/Duct Connector** over knockout opening. Make sure damper **Pivot** is nearest to **Top/Back Edge** of hood. Remove any shipping tape from damper flap.



Warranty

Safety

Operation

Cleaning

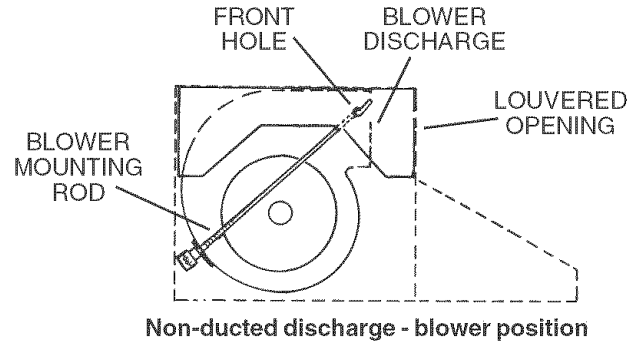
Installation

Service Parts

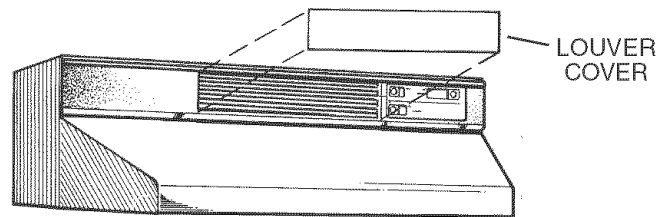
## PREPARE THE HOOD (Non-ducted Installations)

1. Re-position the blower for non-ducted discharge.

Move the **Blower Mounting Rods** to the **Front Holes** in the hood support channels. Position the blower so that it lines up with the **Louvered Opening** on the hood front. Slip the blower mounting rods into brackets on blower and tighten knurled nuts securely. Plug in blower.



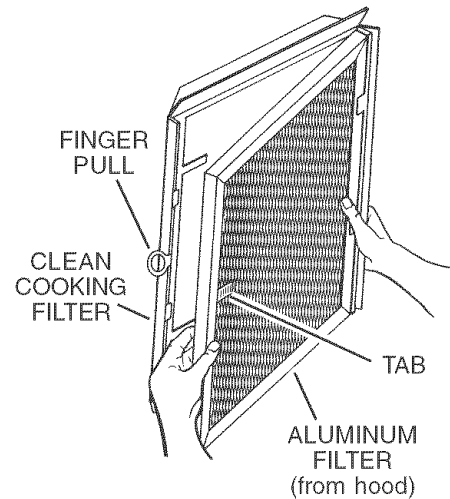
2. Carefully pry off **Louver Cover** with a screwdriver or knife. Discard damper/duct connector, 1/4" black sheet metal screws, and louver cover.



3. Purchase a Non-Ducted Kit, containing 2 Clean Cooking Filters.

See page 4 for Non-Ducted Kit information.  
Non-Ducted Kit available by calling Sears  
at 1-800-4-MY-HOME®

4. Snap **Aluminum Filter** (provided with hood) into front of **Clean Cooking Filter**. Make sure that **Tab** on aluminum filter lines up with **Finger Pull** on Clean Cooking Filter.



## CONNECT THE WIRING



**WARNING:** To reduce the risk of electric shock, make sure power is switched off at the service panel. Lock or tag service panel to prevent power from being switched on accidentally.

1. Connect **House Wiring** (120 VAC) to hood. Use a piece of **Cardboard** to protect the cooktop, if necessary.

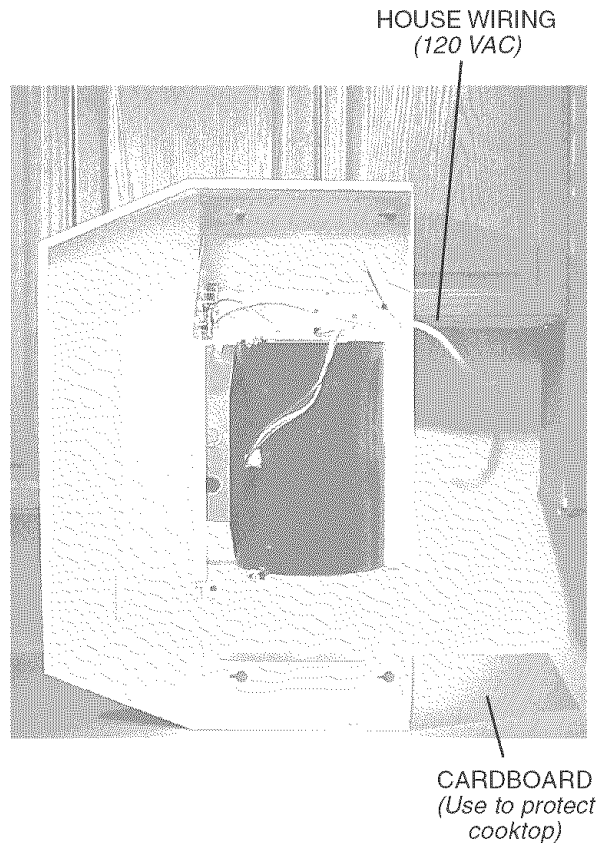
### OPTION

A Cord Kit is available - which enables the hood to plug into a standard 120 VAC wall outlet.

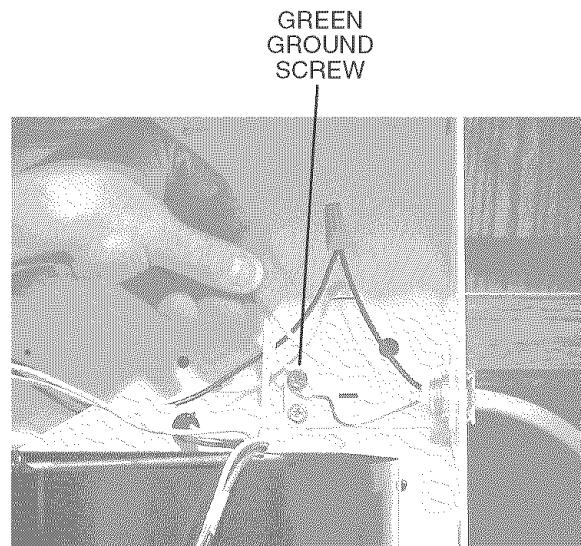
See page 4 for Cord Kit information.  
Cord Kit available by calling Sears  
at 1-800-4-MY-HOME®



Use only with range hood cord-connection kits that have been investigated and found acceptable for use with this model range hood.



2. Connect house black to hood black wire, house white to hood white wire, and house ground under **Green Ground Screw**. Securely tighten cable clamp onto house wiring.
3. Replace wiring cover.



Warranty

Safety

Operation

Cleaning

Installation

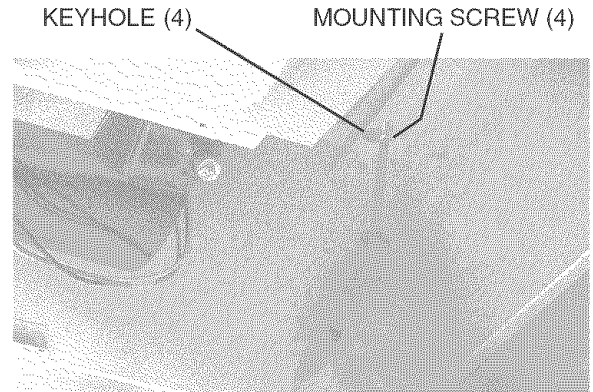
Service Parts

## INSTALL THE HOOD

1. Hang hood from (4) **Mounting Screws** (from parts bag). Slide hood towards wall until mounting screws are engaged in narrow end of (4) **Keyholes**. Tighten mounting screws securely.

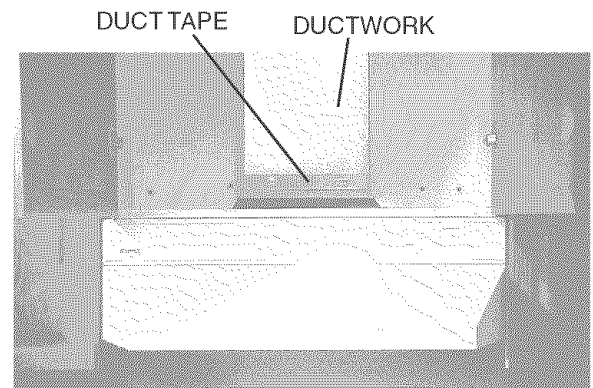


**CAUTION:** Do not push on filter or fan blade! Pushing on the filter or fan blade may cause them to interfere with other hood parts.



### DUCTED INSTALLATIONS ONLY

2. Connect **Ductwork** to hood. Use **Duct Tape** to make joints secure and air tight.

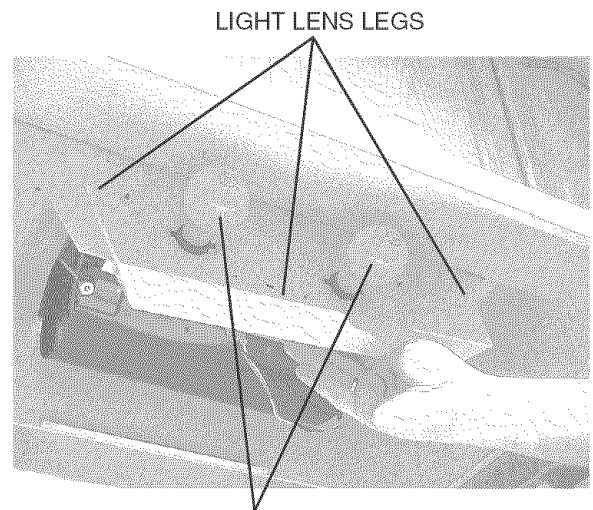


3. Install **75 W Maximum Light Bulbs**. Purchase bulbs locally. Gently squeeze **Light Lens Legs** to remove and replace lens.



**CAUTION:** Bulbs may be hot! Refer to bulb packaging for further information.

4. Turn on power at service panel, and test for proper operation.

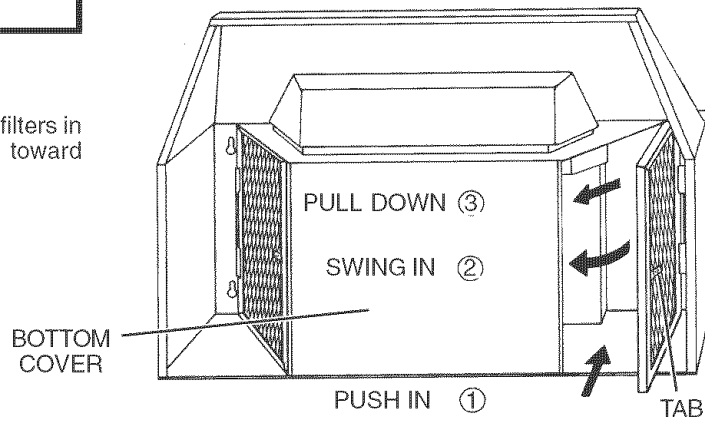


75 W MAXIMUM LIGHT BULBS

5. Replace **Bottom Cover**.

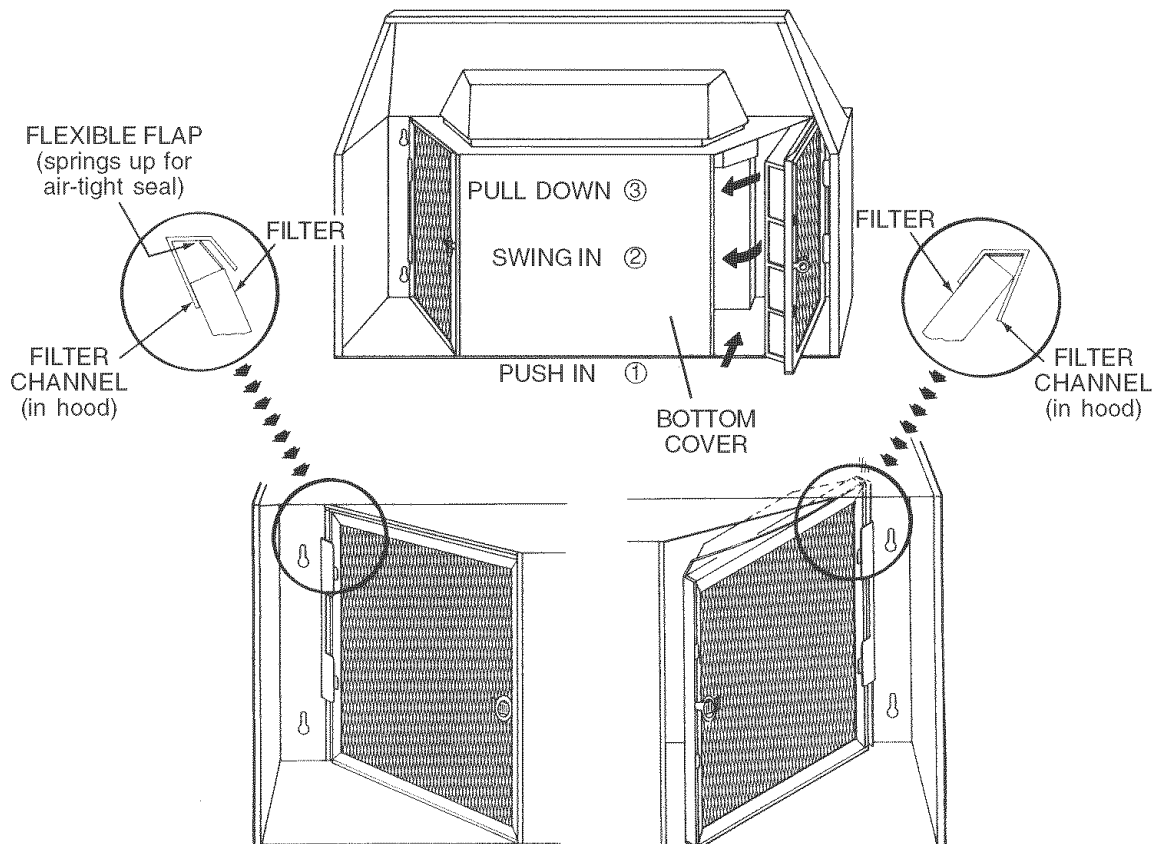
### DUCTED INSTALLATIONS ONLY

6. Install aluminum grease filters.  
Push filters up into recess at top of hood. Swing filters in and pull down. Make sure that **Tab** on filter is toward outside and bottom of hood.



### NON-DUCTED INSTALLATIONS ONLY

6. Install non-ducted filter assemblies.  
Push filter assemblies up into hood. **Flexible Flap** on filters will flex against top sides of opening. Push assemblies up until bottom of assembly clears lip on **Bottom Cover**. Insert bottom of filter into opening and pull assembly down, collapsing finger pull against aluminum filter.



Warranty

Safety

Operation

Cleaning

Installation

Service Parts

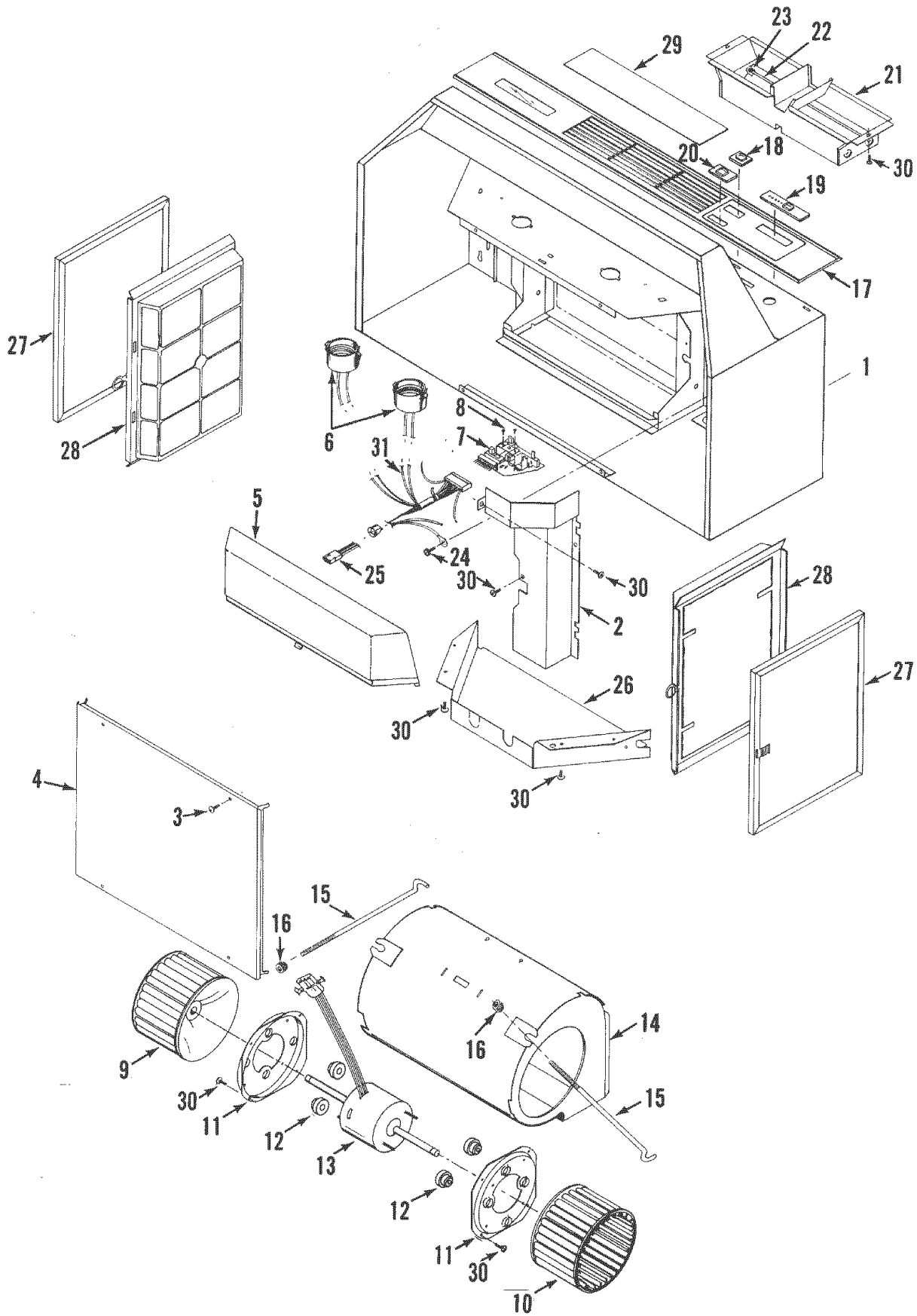
## SERVICE PARTS

KEY NO.	PART NUMBER	DESCRIPTION
2	97007656	Wiring Box Cover
3	99150478	#8-18 x 3/8 Phillips Truss Head Screws (4 Required)*
4	97007895	Bottom Cover - White
	97007631	Bottom Cover - Stainless Steel
	97011974	Bottom Cover - Black
	97015498	Bottom Cover - Bisque
5	99110605	Light Lens
6	99270536	Bulb Holder ( 2 Required)
7	97007541	Control Board Assembly
8	99150489	#6B-20 Phillips Flat Head Screws (2 Required)*
9	99020138	Blower Wheel, Clockwise
10	99020139	Blower Wheel, Counterclockwise
11	98005212	Motor Retaining Ring (2 Required)
12	99100491	Rubber Motor Mount ( 4 Required)
13	99080359	Motor
14	97007314	Blower Scroll Housing
15	99420464	Blower Mounting Rod (2 Required)
16	99260476	Blower Mounting Rod Nut (2 Required)
17	97014305	Control Panel Assembly - 30" Black
	97014308	Control Panel Assembly - 30" White
	97015648	Control Panel Assembly - 30" Bisque
	97014306	Control Panel Assembly - 36" Black
	97014309	Control Panel Assembly - 36" White
	97015649	Control Panel Assembly - 36" Bisque
	97014307	Control Panel Assembly - 42" Black
	97014310	Control Panel Assembly - 42" White
	97015650	Control Panel Assembly - 42" Bisque
18	95000924	Blower Knob - Black
	95000925	Blower Knob - White
	95001058	Blower Knob - Bisque
19	99111127	Speed Control Knob - Black
	99111128	Speed Control Knob - White
	99111214	Speed Control Knob - Bisque
20	99111123	Light Switch Knob - Black
	99111124	Light Switch Knob - White
	99111215	Light Switch Knob - Bisque
21	97006078	Damper Assembly (Includes Key Nos. 22 & 23)
22	98005221	Damper Flap
23	99100379	Damper Bushing ( 2 Required)
24	99150471	#10-32 x 1/2 Green Ground Screw*
25	97005680	Motor Receptacle with Leads
26	98006546	Bulb Holder Cover
27	97007894	Aluminum Filter Kit (Contains 2 Filters)
28	97007998	Clean Cooking Filter Kit ( Contains 2 Filters)
29	99110620	Louver Cover - Black
	99110847	Louver Cover - White
	99111215	Louver Cover - Bisque
30	99170245	#8B x 3/8 Hex Head Sheet Metal Screws (13 Required)*
31	97007682	Wire Harness with Lamp Holders
**	99043206	Installation Instructions
**	-----	Light Bulb, 75 Watt Max. (2 Required) (or one 75 watt and one 25 watt) Not supplied with hood.

\* Standard Hardware. May be purchased locally.

\*\* Not Illustrated.

# SERVICE PARTS



Warranty

Safety

Operation

Cleaning

Installation

**Service Parts**

# LEA Y CONSERVE ESTAS INSTRUCCIONES

## TABLA DE CONTENIDO

SECCIÓN .....	PÁGINA
Garantía .....	16
Instrucciones de seguridad .....	16
Operación .....	17
Limpieza .....	17
Piezas incluidas con la campana .....	18
Piezas no incluidas con la campana .....	18
Herramientas necesarias .....	18
Cuadro de largo equivalente de conducto .....	19
Prepare la localización para la campana .....	20
Prepare la campana (Todas las instalaciones) .....	21
Prepare la campana (Instalaciones de ductos) .....	22
Prepare la campana (Instalaciones sin ductos) .....	24
Conecte el cableado .....	25
Instale la campana .....	26
Piezas de servicio .....	28

## GARANTÍA

Si dentro de 1 año de la fecha de la instalación, cualquier parte de esta campana de cocina deja de funcionar en forma apropiada debido a defecto en el material o mano de obra, Sears reparará la pieza afectada o proveerá e instalará una pieza nueva sin cargo.

### GARANTÍA COMPLETA DE 30 DIAS EN EL ACABADO DE PIEZAS PINTADAS O DE METAL LUSTROSO

Si dentro de los 30 días de la fecha de instalación, el acabado de cualquier pieza pintada o de metal lustroso de esta campana de cocina presenta defecto de material o mano de obra, Sears proveerá e instalará una pieza nueva sin cargo.

### EL SERVICIO DE GARANTÍA SE OBTIENE PONIÉNDOSE EN CONTACTO CON EL CENTRO DE SERVICIO O DEPARTAMENTO SEARS MÁS CERCANO EN LOS ESTADOS UNIDOS.

Esta garantía es válida únicamente si este producto se encuentra en uso dentro de los Estados Unidos. Esta garantía le confiere derechos legales específicos y Ud. puede tener además otros derechos que varían de estado a estado.

**Sears, Roebuck and Co., Dept 817WA, Hoffman Estates, IL 60179**

## INSTRUCCIONES DE SEGURIDAD

### ⚠️ PREVISTO PARA COCINAR DOMÉSTICO SOLAMENTE. ⚠️

#### ADVERTENCIA ⚠️ ⚠️

#### PARA REDUCIR EL RIESGO DE INCENDIO, CHOQUE ELÉCTRICO, O LESIÓN A PERSONAS, OBSERVE LO SIGUIENTE:

1. Utilice esta unidad sólo en la manera prescrita por el fabricante. Si tiene usted alguna pregunta, comuníquese con el fabricante a la dirección o al teléfono indicados en la garantía.
2. Antes de efectuar algún servicio o limpieza, se debe desconectar la corriente eléctrica en el armario de circuitos y asegurarlo con llave para evitar que la corriente sea conectada accidentalmente. Cuando el medio de desconexión del servicio no puede ser trabado, sujete un dispositivo de advertencia evidente, tal como una etiqueta, al panel de servicio.
3. Todo trabajo de instalación y cableado eléctrico debe ser realizado por personal calificado y de acuerdo con todos los códigos y normas pertinentes, incluyendo los códigos y normas relacionados con construcción clasificada para incendio.
4. Aire suficiente es necesario para facilitar la combustión adecuada y la salida apropiada de gases por la chimenea de la unidad y para evitar corrientes de aire invertidas. Siga las instrucciones y medidas de seguridad del fabricante del equipo y de las sociedades profesionales de equipos de calentadores y los reglamentos de seguridad locales.
5. Al cortar o perforar la pared o el techo, no dañe el cableado eléctrico y otros servicios públicos ocultos.
6. Para reducir el riesgo de incendio o de descarga eléctrica, no utilice esta campana con un dispositivo de control de velocidad adicional.
7. Los ventiladores con conducto deberán siempre tener una salida hacia el exterior.
8. Para reducir el riesgo de incendio, use sólo conductos de metal.
9. Uso con el kit aprobado del la conexión de la cuerda solamente.
10. Esta unidad se debe instalar con conexión a tierra.

#### PARA REDUCIR EL RIESGO DE UN INCENDIO POR GRASA EN LA ESTUFA:

1. Nunca deje las unidades de superficie sin supervisión cuando tengan ajustes altos. Los reboses pueden provocar humo y derrames grasosos que se pueden incendiar. Caliente lentamente el aceite en un ajuste bajo o medio.
2. Siempre ENCIENDA la campana cuando cocine con alta temperatura o cuando cocine alimentos que se puedan incendiar.
3. Limpie con frecuencia los ventiladores. No debe permitir que la grasa se acumule en el ventilador ni en el filtro.
4. Utilice un sartén de tamaño adecuado. Siempre utilice el utensilio adecuado al tamaño del elemento de superficie.

#### ADVERTENCIA ⚠️ ⚠️

#### PARA REDUCIR EL RIESGO DE LESIONES A PERSONAS EN CASO DE INCENDIO DE GRASA EN LA ESTUFA, OBSERVE LO SIGUIENTE:\*

1. APAGUE LAS LLAMAS con una tapa ajustada, plancha para galletitas o charola decorativa, y luego apague la hornilla. TENGA CUIDADO DE EVITAR QUEMADURAS. Si las llamas no se apagan de inmediato, EVACÚE EL LUGAR Y LLAME AL DEPARTAMENTO DE BOMBEROS.
  2. NUNCA LEVANTE UNA SARTEN QUE ESTÉ EN LLAMAS - Usted se podrá quemar.
  3. NO UTILICE AGUA, incluyendo toallas de cocina mojadas - puede resultar una explosión de vapor violenta.
  4. Utilice un extintor SOLAMENTE si:
    - A. Usted sabe que tiene un extintor de clase ABC y ya sabe utilizarlo.
    - B. El incendio es pequeño y contenido dentro del área donde se inició.
    - C. Los bomberos han sido avisados.
    - D. Usted puede combatir el incendio con una salida a su espalda.
- \* Basado en las recomendaciones para "Seguridad en la Cocina" publicadas por NFPA de los EE.UU.

#### PRECAUCIÓN ⚠️

1. Solamente para uso general de ventilación. No utilice para descargar materiales peligrosos o materiales y vapores explosivos.
2. Para evitar daños al cojinete del motor y evitar que las paletas del ventilador emitan mucho ruido o estén fuera de equilibrio, mantenga el motor libre de pelusa, polvo, etc.
3. Para obtener mejores resultados en la captura de impurezas, la parte superior de la campana debe estar montada de forma tal que la campana quede de 61 a 76 cm de distancia de la superficie de la estufa.
4. Use sólo equipos de cable de conexión para campana de cocina cuyo uso ya se haya estudiado y aprobado con este modelo de campana.
5. Por favor, lea la etiqueta de especificaciones del producto para mayores informaciones y requerimientos.

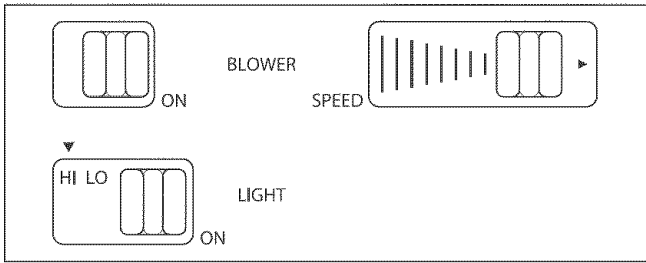
#### NOTA

Si se instalará la campana en un sistema sin conductos:

- Compre un filtro sin conducto con su distribuidor o minorista, e instálelo debajo del filtro de aluminio.



## OPERACIÓN



### Velocidad (Speed)

El control de velocidad infinita controla la velocidad del ventilador.

### Ventilador (Blower)

“ENCIENDE” (ON) y “APAGA” (OFF) el ventilador.

Cuando el ventilador se “APAGA” (OFF), el control de velocidad permanece en la velocidad presente. Cuando el ventilador se vuelve a encender, regresará al ajuste previamente escogido.

### Luz (Light)

“ENCIENDE” (ON) y “APAGA” (OFF) la luz.

La primera posición enciende ambos bulbos para una luz normal.

La segunda posición apaga el bulbo del lado izquierdo. En caso de que usted quiera una característica de luz nocturna, combine un bulbo de 75 Watts (izquierda) y un bulbo de 25 Watts (derecha).

La tercera posición apaga ambos bulbos.

El valor máximo para el bulbo es de 75 Watts. No instale bulbos con un valor mayor a 75 Watts.

## LIMPIEZA



**ADVERTENCIA:** Para reducir el riesgo de una descarga eléctrica, desconecte el suministro eléctrico antes de limpiar la unidad.

### Filtros de malla de aluminio

Limpie frecuentemente los filtros con agua caliente y un detergente suave. Los filtros se pueden lavar en lavaplatos. Se debe lavar los filtros de malla de aluminio aproximadamente cada mes, dependiendo de su uso. Lávelos con mayor frecuencia si su forma de cocinar genera más grasa - como, por ejemplo, frituras o 'wok'.

### Filtros sin conducto (campanas de cocina limpia solamente) (disponibles por separado - ver página 18)

Limpie frecuentemente las superficies de los filtros con un paño húmedo y un detergente suave. NO sumerja los filtros en agua ni los coloque en el lavaplatos. Teniendo un uso normal de la campana, reemplace los filtros sin conductos aproximadamente cada 6 meses. Reemplace los filtros más frecuentemente conforme se incrementa el uso de la campana.

### Superficies pintadas de la campana

Limpiarlas periódicamente con agua tibia y un jabón/detergente suave protegerá las superficies pintadas de la campana. Tenga cuidado si usa agentes de limpieza “Nuevos y Mejorados”. Su campana está instalada sobre equipos de cocina calientes. La mayoría de los productos químicos que contienen los agentes de limpieza calentarán y aflojarán la pintura.

### Superficies de acero inoxidable de la campana

Se debe lavar las campanas de acero inoxidable periódicamente con un paño limpio, agua tibia y un jabón o detergente para platos suave. Limpielas en la dirección de las líneas de pulido. Enjuáguelas bien con agua limpia y séquelas de inmediato con un paño. Podrá aplicarles un aceite leve utilizado para lustrar muebles para realzar su acabado lustroso.

### Montaje del ventilador

Se puede limpiar el ventilador con un paño húmedo y un detergente suave. Tenga cuidado cuando limpie las paletas del ventilador - se podrían doblar o desalinear. NO PERMITA LA ENTRADA DE AGUA EN EL MOTOR. Asegúrese de que todas las superficies estén completamente secas antes de volver a colocar los filtros y conectar la energía eléctrica.

El motor está permanentemente lubricado. No lubrique ni desmonte el motor.

Garantía

Seguridad

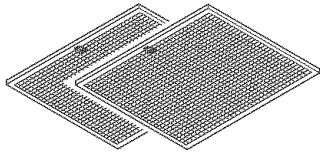
Operación

Limpieza

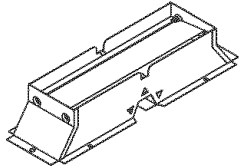
Instalación

Piezas de servicio

## PIEZAS INCLUIDAS CON LA CAMPANA



Filtros de grasa de aluminio



Conector de regulador de tiro/conducto  
(Para uso con un ducto de 8.3 x 25.4 cm [3¼" x 10"])



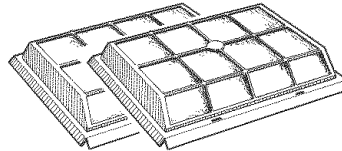
Bolsa de piezas  
(4 tornillos de montaje de la campana, adentro)

## PIEZAS NO INCLUIDAS CON LA CAMPANA\*

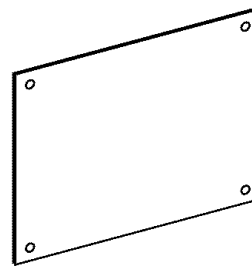


Bombillas de luz  
(Máximo 75 W)  
(2 por campana)  
Adquiéralas localmente.

### PIEZAS OPTATIVAS (compra separada)



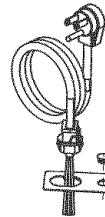
Equipo de filtros sin conductos  
(Filtro para cocina limpio)  
(2 por campana)  
Pieza Sears No. 50185



#### Placa posterior

Piezas Sears Nos.

58120	30"	Negro/Bisque
58128	30"	Bianco/ Almendra
58129	30"	Inoxidable
58130	36"	Negro/Bisque
58138	36"	Bianco/ Almendra
58139	36"	Inoxidable
58140	42"	Negro/Bisque
58148	42"	Bianco/ Almendra
58149	42"	Inoxidable



#### Kit de cable

(Permite que se enchufe la campana en una toma de pared estándar de 120 VCA)  
Pieza Sears No. 233.22HCK44D

#### Accesorios para conductos

(Vea el "Cuadro de largo equivalente de conducto" de la página 19 para obtener los Nos. de Modelos de Accesorios para Conductos.

Las "Piezas no incluidas con la campana" están disponibles llamando a Sears al 1-800-4-MY-HOME®

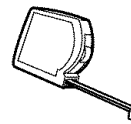
## HERRAMIENTAS NECESARIAS PARA LA INSTALACIÓN DE LA CAMPANA



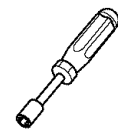
Destornillador  
(chato y Phillips)



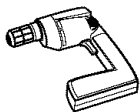
Lápiz



Cinta métrica



1/4"  
Ajustador  
de tuercas



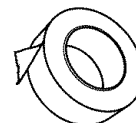
Perforadora



Sierra  
de punta



Serrucho  
de punta



Cinta  
adhesiva para  
conductos



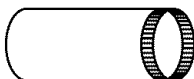
Pelador de  
cable

## CUADRO DE LARGO EQUIVALENTE DE CONDUCTO

Las campanas de cocina Kenmore fueron diseñadas para su desempeño eficiente cuando se las sujeta a largos recorridos de conducto. Como punto de referencia, esta campana funcionará a aproximadamente el 80% de su flujo de aire nominal cuando se le sujeta 61 m (200 pies) equivalentes de conducto redondo de 17.8 cm (7"). Utilice esta cuadro para calcular el largo equivalente de conducto de su sistema.



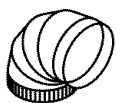
**Modelo Broan 401**  
Conducto recto  
3¼-pulg. x 10-pulg. x 2-pies de largo  
Largo equivalente  
**0.61 m (2 pies)**



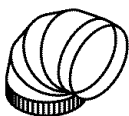
**Modelo Broan 406**  
Conducto recto  
6-pulg. alrededor x 2 pies de largo  
Largo equivalente  
**0.61 m (2 pies)**



**Modelo Broan 407**  
Conducto recto  
7-pulg. alrededor x 2 pies de largo  
Largo equivalente  
**0.61 m (2 pies)**



**Modelo Broan 419**  
Acodado redondo  
de 6 pulg.  
Largo equivalente  
**2.4 m (8 pies)**



**Modelo Broan 415**  
Acodado redondo  
de 7 pulg.  
Largo equivalente  
**2.4 m (8 pies)**



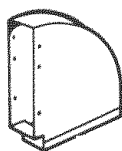
**Modelo Sears 59581**  
3¼-pulg. x 10-pulg.  
a 6-pulg.  
Transición redondo  
Largo equivalente  
**1.7 m (5.5 pies)**



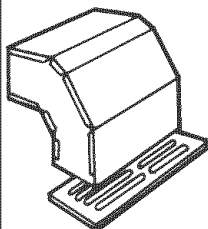
**Modelo Broan 412H**  
3¼-pulg. x 10-pulg.  
a 7-pulg.  
Transición redondo  
Largo equivalente  
**1.7 m (5.5 pies)**



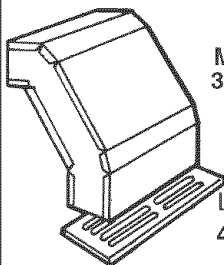
**Modelo Broan 428**  
3¼-pulg. x 10-pulg.  
Acodado con ángulo  
a la derecha  
Largo equivalente  
**2.6 m (8.5 pies)**



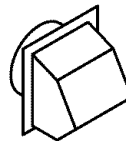
**Modelo Broan 429**  
3¼-pulg. x 10-pulg.  
Acodado plano con  
ángulo a la derecha  
Largo equivalente  
**7.3 m (24 pies)**



**Modelo Broan 430**  
3¼-pulg. x 10-pulg.  
Acodado  
con alero corto  
y ángulo a la  
derecha  
Largo equivalente  
**4.6 m (15 pies)**



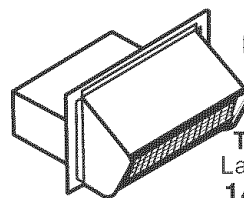
**Modelo Broan 431**  
3¼-pulg. x 10-pulg.  
Acodado  
con alero largo  
y ángulo a la  
derecha  
Largo equivalente  
**4.6 m (15 pies)**



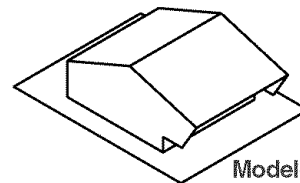
**Modelo Sears 59691**  
6-pulg. Tapón de  
pared redondo  
Largo equivalente  
**10 m (34 pies)**  
(1.8 m [6-pies] sin  
regulador de tiro)



**Modelo Broan 647**  
7-pulg. Tapón de  
pared  
redondo  
Largo equivalente  
**10 m (34 pies)**  
(1.8 m [6-pies] sin  
regulador de tiro)



**Modelo Sears 59391**  
3¼-pulg. x  
10-pulg.  
Tapón de pared  
Largo equivalente  
**14 m (45 pies)**  
(2.1 m [7-pies] sin  
regulador de tiro)



**Modelo Sears 59091**  
Tapón de techo  
(acepta ducto de  
7-pulg. redondo o  
de 3¼-pulg. x 10-pulg.)  
Largo equivalente  
**9.1 m (30 pies)**  
(2.1 m [7-pies] sin  
regulador de tiro)

Los "Accesorios para los conductos" Modelo Sears están disponibles llamando a Sears al 1-800-4-MY-HOME®

Los "Accesorios para conductos" Modelo Broan están disponibles llamando al: 1-800-558-1711.

Garantía

Seguridad

Operación

Limpieza

Instalación

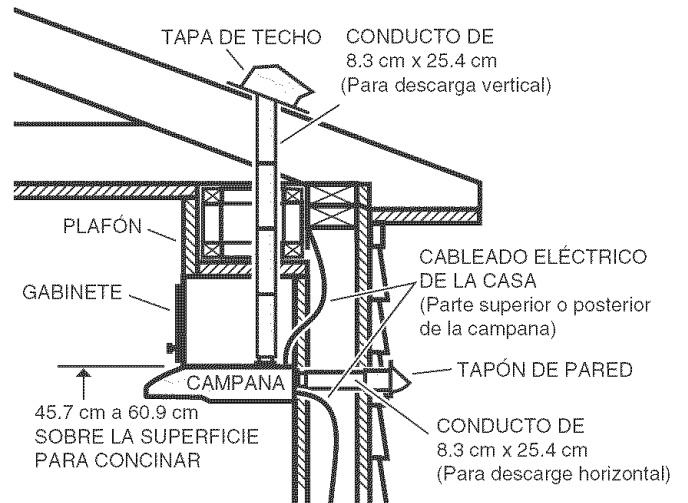
Piezas de servicio

## PREPARE LA LOCALIZACIÓN PARA LA CAMPANA

1. Determine si la descarga de la campana será vertical, horizontal o sin conducto.

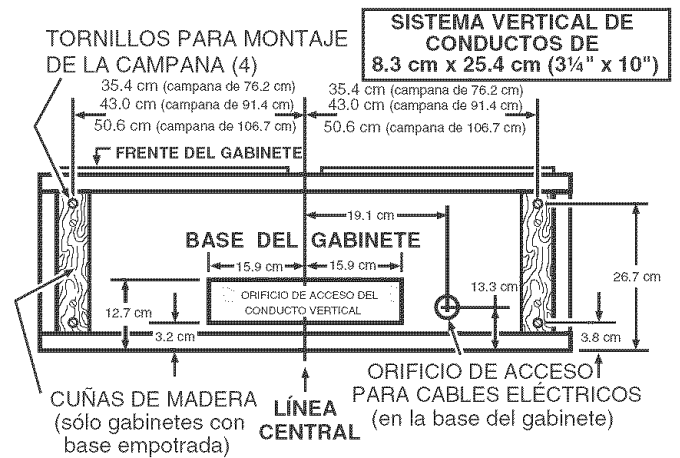
En el caso de descarga vertical u horizontal, tienda los conductos entre el lugar donde se instalará la campana y el tapón de techo o el tapón de pared.

Para obtener los mejores resultados, utilice una cantidad mínima de transiciones y codos.

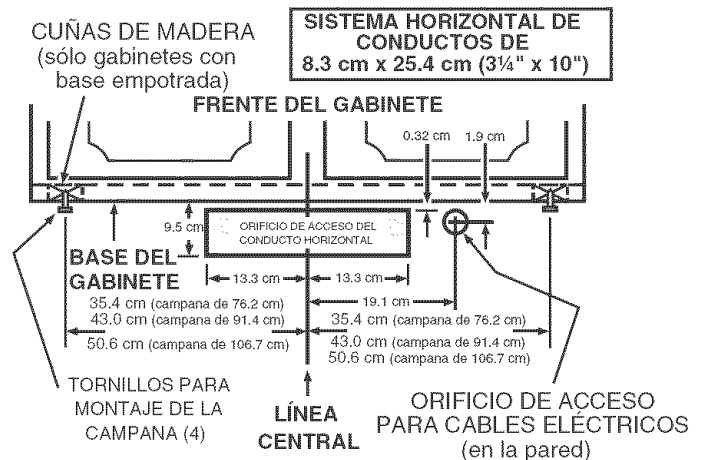


2. Utilice estos diagramas para colocar adecuadamente los conductos y hacer el corte exacto para la conexión eléctrica en el gabinete o en la pared.

En el caso de aquellas instalaciones en sistemas sin conductos, NO haga ningún orificio de acceso para el conducto.

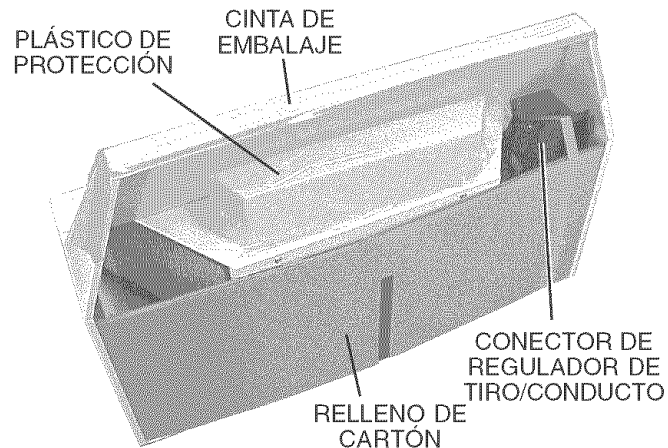


3. Guíe las conexiones del cableado de la casa entre el panel de servicio y el lugar donde instalará la campana.

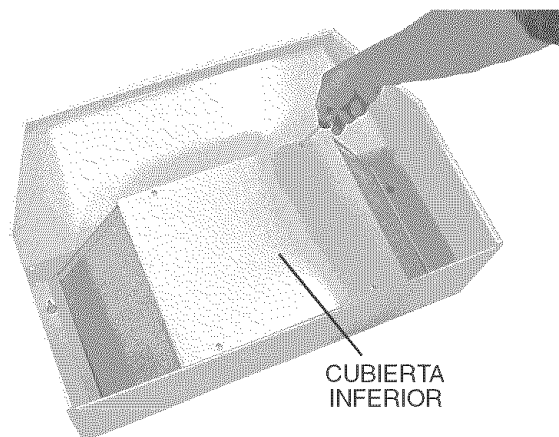


## PREPARE LA CAMPANA (Todas las instalaciones)

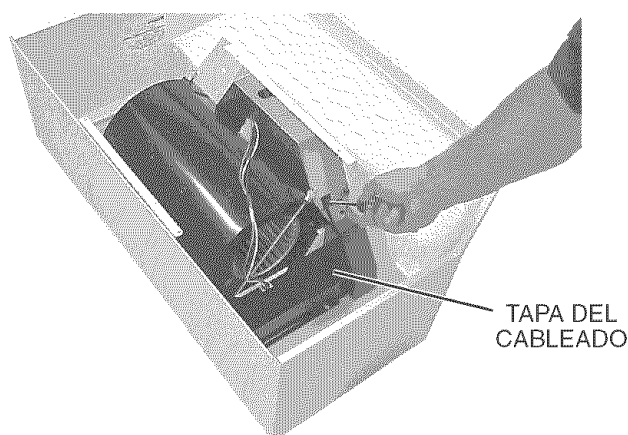
1. Retire y deseche: La **cinta de embalaje** de la nariz de la campana, el **plástico de protección** del lente de luz y el **relleno de cartón** de la parte inferior de la campana.  
Retire y fije aparte: **Conector de regulador de tiro/conducto**.



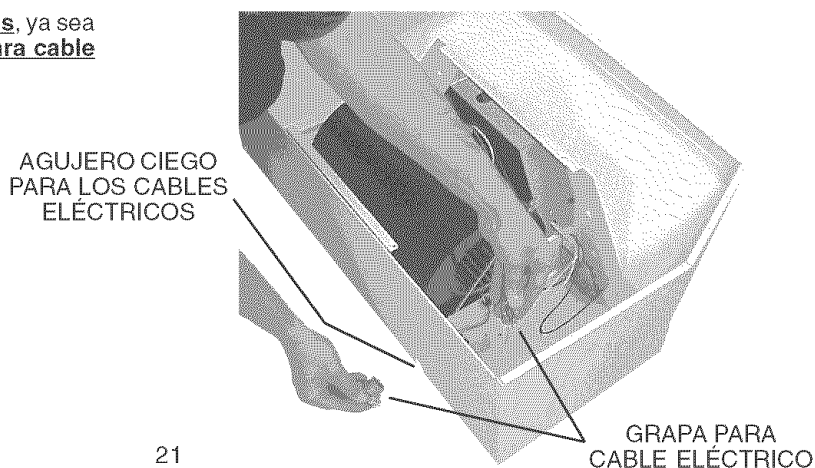
2. Retire la **cubierta inferior** de la campana. Coloque la tapa y los tornillos de montaje a un lado.



3. Quite la **tapa del cableado** del interior de la campana. Coloque la tapa y el tornillo de montaje a un lado.



4. Quite el **agujero ciego para los cables eléctricos**, ya sea el superior o el posterior, e instale una **grapa para cable eléctrico** aprobada.



Garantía

Seguridad

Operación

Limpieza

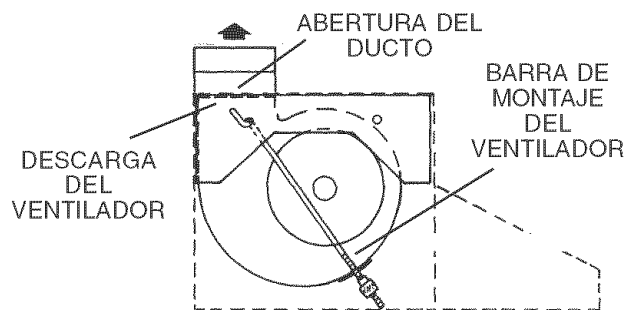
Instalación

Piezas de servicio

## PREPARE LA CAMPANA (Instalaciones de ductos)

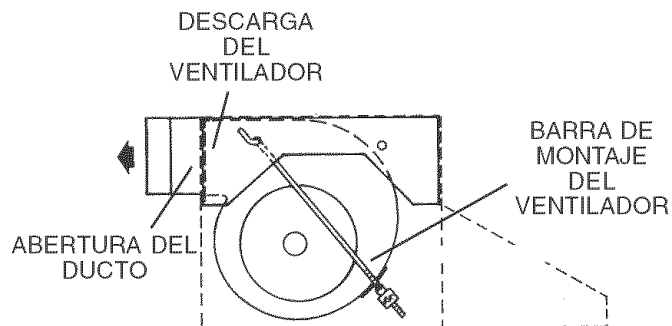
1. Escoja la posición correcta del ventilador para su instalación.

Para una descarga vertical: Asegúrese de que la **descarga del ventilador** esté alineada con la **abertura del ducto** en la parte superior de la campana. Levante el ventilador, deslice las barras de montaje del ventilador dentro de las escuadras en el ventilador y apriete las tuercas firmemente. Conecte el ventilador.



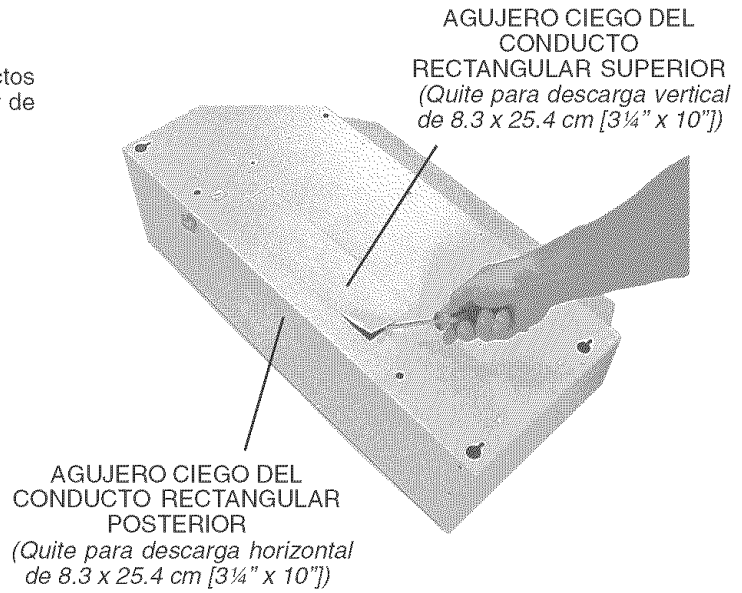
Descarga vertical - posición del ventilador

Para una descarga horizontal: Asegúrese de que la **descarga del ventilador** esté alineada con la **abertura del ducto** en la parte superior de la campana. Levante el ventilador, deslice las **barras de montaje del ventilador** dentro de las escuadras en el ventilador y apriete las tuercas firmemente. Conecte el ventilador.

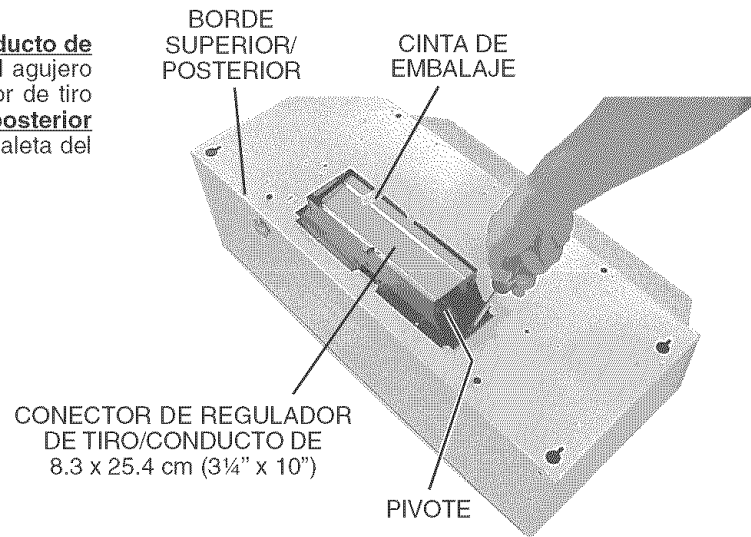


Descarga horizontal - posición del ventilador

2. Quite el **agujero o agujeros ciegos** para los conductos apropiados de la parte superior o de la parte posterior de la campana.



3. Coloque el **conector del regulador de tiro/conducto de 8.3 x 25.4 cm (3¼" x 10")** sobre la abertura del agujero ciego. Asegúrese de que el **pivote** del regulador de tiro quede lo más cerca posible del **borde superior/posterior** de la campana. Quite la cinta de embalaje de la aleta del regulador de tiro.



Garantía

Seguridad

Operación

Limpieza

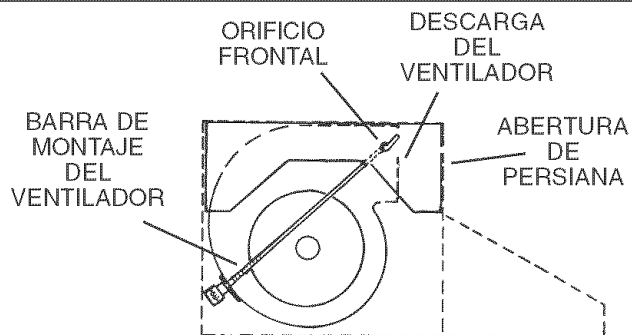
Instalación

Piezas de servicio

## PREPARE LA CAMPANA (Instalaciones sin ductos)

1. Vuelva a colocar el ventilador para la descarga sin conducto.

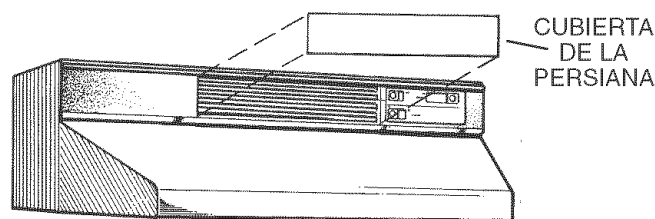
Mueva las **barras de montaje del soplador** hacia los **orificios frontales** en los canales de soporte de la campana. Coloque el ventilador de manera que se encuentre alineado con la **abertura de persiana** en la parte frontal de la campana. Deslice las barras de montaje del ventilador hacia las escuadras del ventilador y apriete las tuercas firmemente. Conecte el ventilador.



Descarga vertical sin conducto - posición del ventilador

2. Cuidadosamente abra la **cubierta de la persiana** con un destornillador o cuchillo.

Descarte el conector de regulador de tiro/conducto, los tornillos de lámina de metal negra de 1/4" y la cubierta de la persiana.

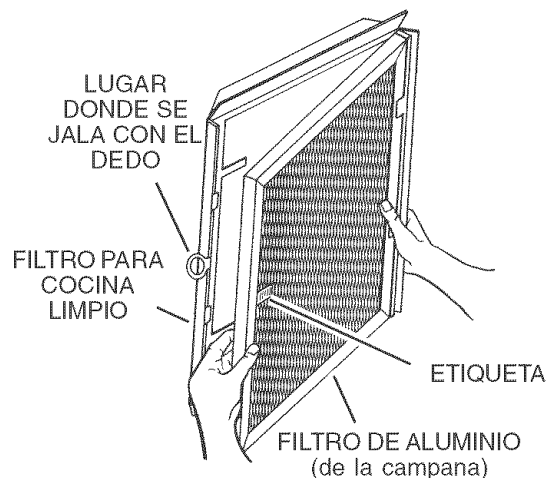


3. Compre un equipo sin conductos que contenga dos filtros para cocina limpio.

Vea la página 18 para información sobre el equipo sin conducto.

El equipo sin conducto está disponible llamando a Sears al 1-800-4-MY-HOME®

4. Cierre de golpe el **filtro de aluminio** (suministrado con la campana) al frente del **filtro para cocina limpio**. Asegúrese de que la **etiqueta** sobre los filtros de aluminio se encuentre alineada con el **lugar donde se jala con el dedo** sobre el filtro de cocina limpio.





## CONECTE EL CABLEADO



**ADVERTENCIA:** Para reducir el riesgo de descargas eléctricas, asegúrese de apagar el interruptor de alimentación eléctrica en el panel de servicio. Bloquee o rotule el panel de servicio para evitar que alguien conecte accidentalmente la energía eléctrica.

1. Conecte el **cableado de la casa** (120 VCA) a la campana. Si fuera necesario, use un pedazo de **cartón** para proteger la superficie de la estufa.

### OPCIÓN

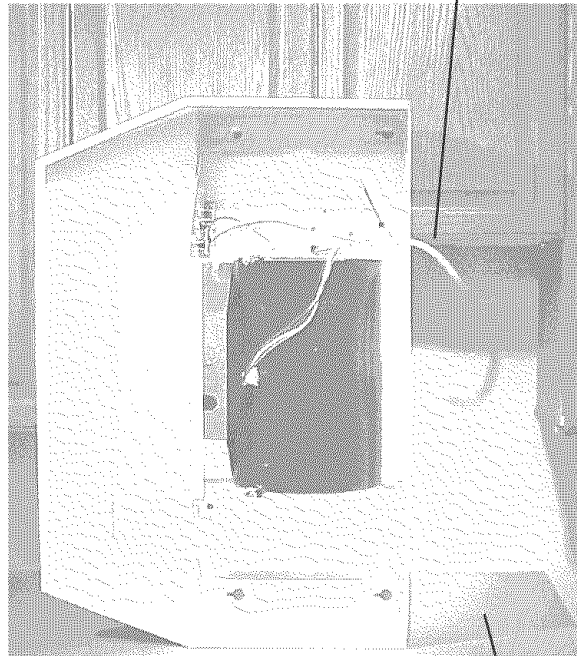
Hay un Kit de Cable disponible, que permite que se enchufe la campana en una toma de pared estándar de 120 VCA.

Vea la página 18 para información sobre el Kit de Cable. El Kit de Cable está disponible llamando a Sears al 1-800-4-MY-HOME®



Use sólo equipos de cable de conexión para campana de cocina cuyo uso ya se haya estudiado y aprobado con este modelo de campana.

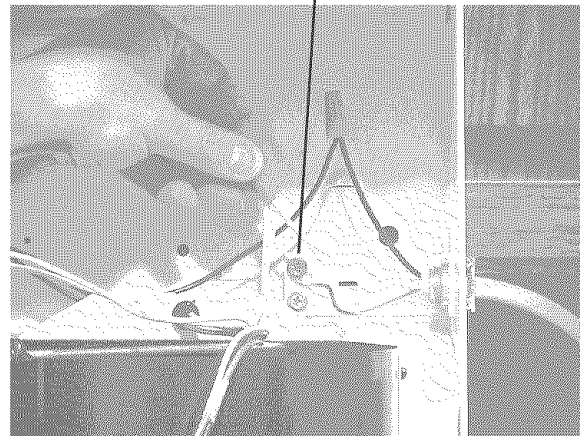
CABLEADO DE LA CASA  
(120 VCA)



CARTÓN  
(Usar para proteger la superficie de la estufa)

2. Conecte el cable negro del suministro de la casa al cable negro de la campana, el cable blanco del suministro de la casa al cable blanco de la campana y la conexión a tierra del suministro doméstico debajo del **tornillo verde de conexión a tierra**. Ajuste bien la grapa para cable eléctrico al cableado de la casa.
3. Vuelva a instalar la tapa de la conexión eléctrica.

TORNILLO VERDE DE  
CONEXIÓN A TIERRA



Garantía

Seguridad

Operación

Limpieza

Instalación

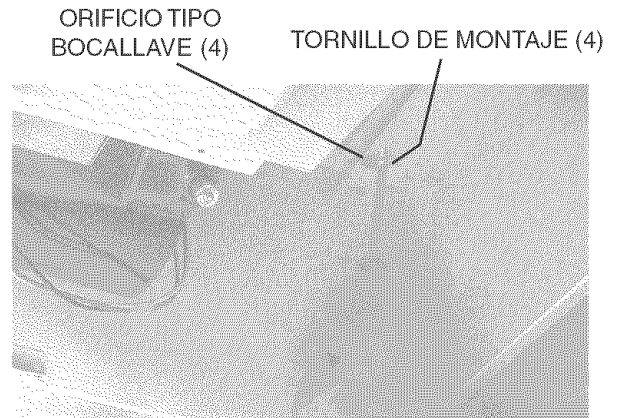
Piezas de servicio

## INSTALE LA CAMPANA

1. Cuelgue la campana de los (4) **tornillos de montaje** (que se encuentran en la bolsa de piezas). Deslice la campana hacia la pared hasta que los tornillos de montaje queden conectados en el extremo angosto de los (4) **orificios tipo bocallave**. Apriete fijamente los tornillos de montaje.

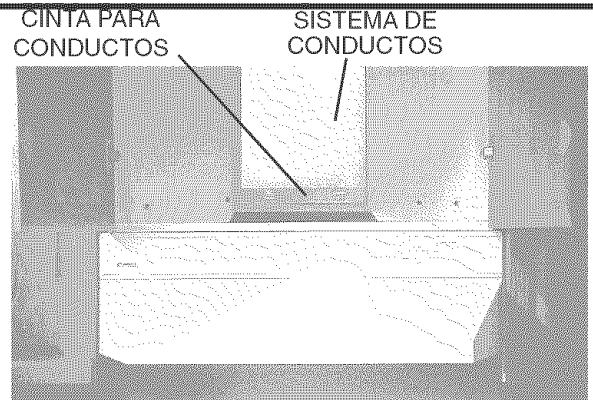


**PRECAUCIÓN:** ¡No presione sobre la paleta del ventilador! El empujar la paleta puede hacerla interferir con otras piezas de la campana.



### SÓLO PARA INSTALACIONES DE DUCTO

2. Conecte el **sistema de conductos** a la campana. Use **cinta para conductos** para fijar y sellar las uniones herméticamente.

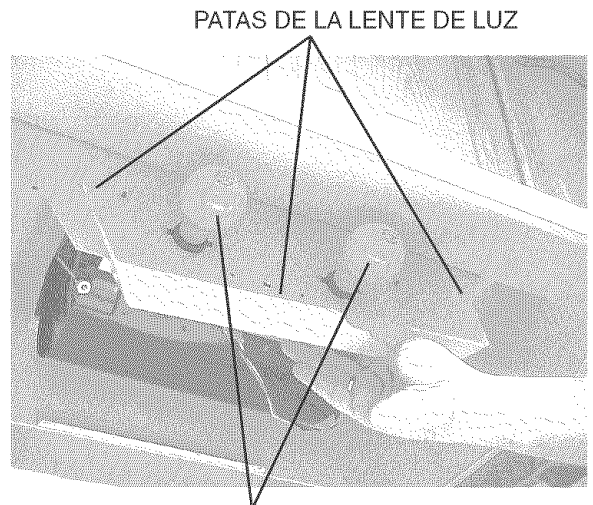


3. Instale **bombillas con un valor máximo de 75W**. Compre la bombilla localmente. Apriete las **patas de la lente de luz** suavemente para retirar y reemplazar la lente.



**PRECAUCIÓN:** ¡Las bombillas de luz pueden ser calientes! Consulte el embalaje de las bombillas información adicional.

4. Conecte la energía en el panel de servicio y revise el funcionamiento adecuado de la campana.



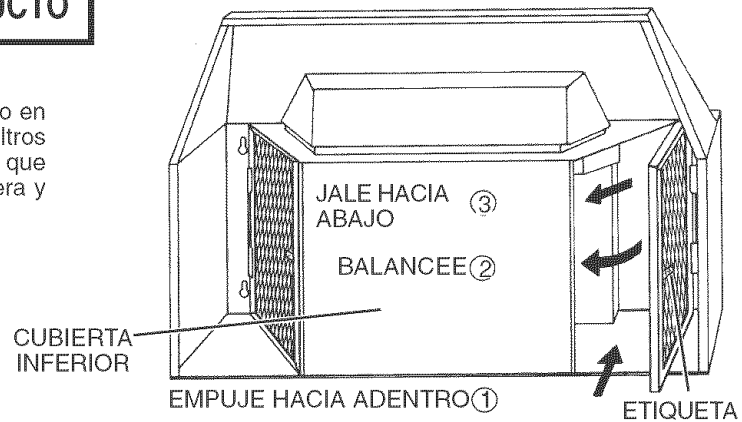
BOMBILLAS CON UN VALOR MÁXIMO DE 75 W

5. Vuelva a colocar la **cubierta inferior**.

### SÓLO PARA INSTALACIONES DE DUCTO

6. Instale filtros de grasa de aluminio.

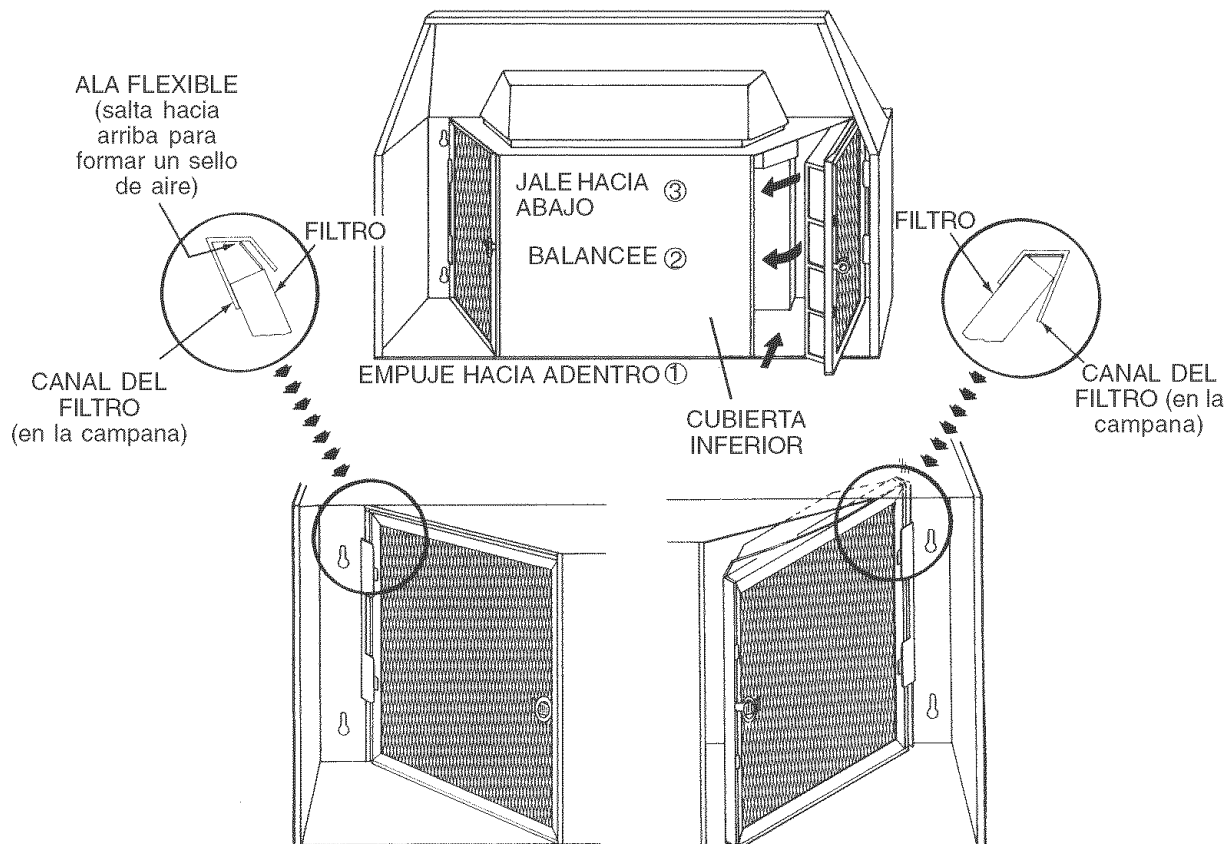
Empuje los filtros hacia arriba dentro del hueco en la parte superior de la campana. Balancee los filtros hacia adentro y jale hacia abajo. Asegúrese de que la **etiqueta** en el filtro se encuentra hacia afuera y hacia la parte inferior de la campana.



### SÓLO PARA INSTALACIONES SIN DUCTOS

6. Instale los montajes del filtro sin conductos.

Empuje el montaje del filtro hacia arriba de la campana. El **ala flexible** sobre los filtros se flexionará contra los lados superiores de la abertura. Empuje el montaje hacia arriba hasta que la parte inferior del montaje despeje el labio sobre la **cubierta inferior**. Inserte la parte inferior del filtro en la abertura y jale el montaje hacia abajo, colapsando el lugar donde el dedo jala contra el filtro de aluminio.



Garantía

Seguridad

Operación

Limpieza

Instalación

Piezas de servicio

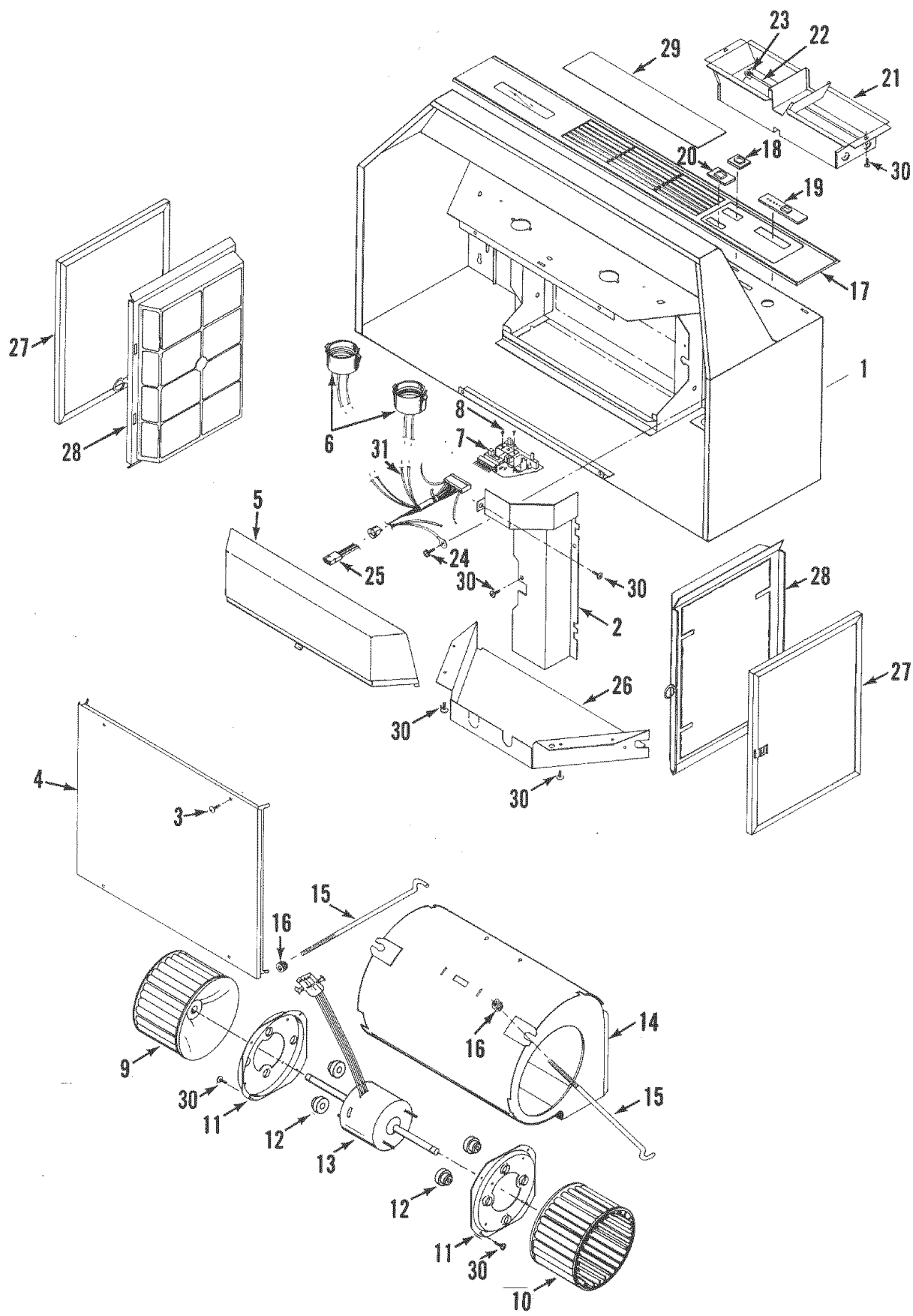
## PIEZAS DE SERVICIO

CLAVE NO.	PIEZA NO.	DESCRIPCIÓN
2	97007656	Cubierta de la caja de cables
3	99150478	Tornillo metálico Phillips para chapa metálica de enrejado de 8-18 x 3/8 (se necesitan 4)*
4	97007895	Cubierta inferior - blanca
	97007631	Cubierta inferior - acero inoxidable
	97011974	Cubierta inferior - negra
	97015498	Cubierta inferior - bisque
5	99110605	Lente de luz
6	99270536	Sostenedor de la lámpara (se necesitan 2)
7	97007541	Montaje del tablero de control
8	99150489	Tornillos de cabeza plana No. 6B-20 Phillips (se necesitan 2)*
9	99020138	Rueda del ventilador, en sentido de las manecillas del reloj
10	99020139	Rueda del ventilador, en sentido contrario a las manecillas del reloj
11	98005212	Anillo para detener el motor (se necesitan 2)
12	99100491	Soportes de hule para el motor (se necesitan 4)
13	99080359	Motor
14	97007314	Tapa del ventilador
15	99420464	Barra de montaje del ventilador (se necesitan 2)
16	99260476	Tuerca de la barra de montaje del ventilador (se necesitan 2)
17	97014305	Montaje del tablero de control - 30" negro
	97014308	Montaje del tablero de control - 30" blanco
	97015648	Montaje del tablero de control - 30" bisque
	97014306	Montaje del tablero de control - 36" negro
	97014309	Montaje del tablero de control - 36" blanco
	97015649	Montaje del tablero de control - 36" bisque
	97014307	Montaje del tablero de control - 42" negro
	97014310	Montaje del tablero de control - 42" blanco
	97015650	Montaje del tablero de control - 42" bisque
18	95000924	Botón del ventilador - negro
	95000925	Botón del ventilador - blanco
	95001058	Botón del ventilador - bisque
19	99111127	Botón del control de velocidad - negro
	99111128	Botón del control de velocidad - blanco
	99111214	Botón del control de velocidad - bisque
20	99111123	Botón del interruptor de luz - negro
	99111124	Botón del interruptor de luz - blanco
	99111215	Botón del interruptor de luz - bisque
21	97006078	Unidad del regulador (Incluye Claves Nos. 22 & 23)
22	98005221	Aleta del regulador de tiro
23	99100379	Manguillo del regulador de tiro (se necesitan 2)
24	99150471	Tornillo verde de conexión a tierra No. 10-32 x 1/2*
25	97005680	Receptáculo del motor con cables
26	98006546	Cubierta del sostenedor de la bombilla
27	97007894	Equipo del filtro de aluminio (contiene 2 filtros)
28	97007998	Equipo del filtro para cocina limpio (contiene 2 filtros)
29	99110620	Cubierta de la persiana - negra
	99110847	Cubierta de la persiana - blanca
	99111215	Cubierta de la persiana - bisque
30	99170245	Tornillos para lámina No. 8B x 3/8 con cabeza hexagonal (se necesitan 13)*
31	97007682	Arnéses para el cableado con sostenedores de la lámpara
**	99043206	Instrucciones para la instalación
**	-----	Bombilla de luz, 75 Watt Máx. (se necesitan 2) (o una de 75 watts y una de 25 watts) No se suministran con la campana.

\* Herrajes estándar – pueden comprarse localmente.

\*\* No ilustrado.

# PIEZAS DE SERVICIO



Garantía

Seguridad

Operación

Limpieza

Instalación

Piezas de servicio





# Get it fixed, at your home or ours!

## Your Home

For repair—in your home—of **all** major brand appliances, lawn and garden equipment, or heating and cooling systems, **no matter who made it, no matter who sold it!**

For the replacement parts, accessories and owner's manuals that you need to do-it-yourself.

For Sears professional installation of home appliances and items like garage door openers and water heaters.

**1-800-4-MY-HOME®** (1-800-469-4663)

Call anytime, day or night (U.S.A. and Canada)

[www.sears.com](http://www.sears.com)    [www.sears.ca](http://www.sears.ca)

---

## Our Home

For repair of carry-in items like vacuums, lawn equipment, and electronics, call or go on-line for the location of your nearest **Sears Parts & Repair Center.**

**1-800-488-1222**

Call anytime, day or night (U.S.A. only)

[www.sears.com](http://www.sears.com)

---

To purchase a protection agreement (U.S.A.) or maintenance agreement (Canada) on a product serviced by Sears:

**1-800-827-6655** (U.S.A.)

**1-800-361-6665** (Canada)

---

Para pedir servicio de reparación a domicilio, y para ordenar piezas:

**1-888-SU-HOGAR<sup>SM</sup>**

(1-888-784-6427)

Au Canada pour service en français:

**1-800-LE-FOYER<sup>MC</sup>**

(1-800-533-6937)

[www.sears.ca](http://www.sears.ca)

# SEARS