

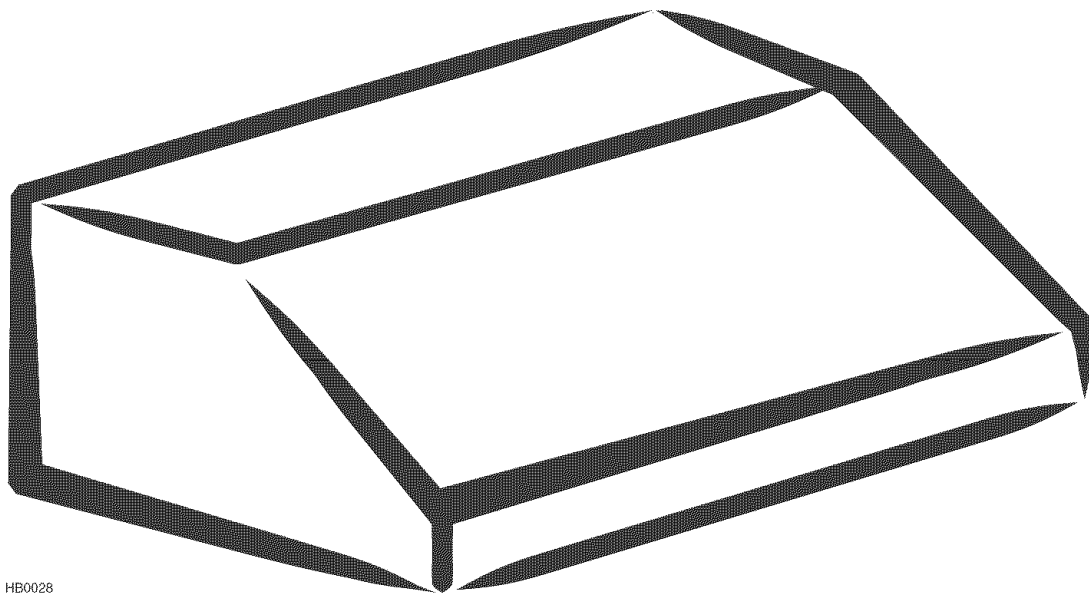


# Range Hood

Use & Care / Installation Manual

# Campana de cocina

Manual de uso y cuidado / instalación



HB0028

ENGLISH  
ESPAÑOL

Models  
Modelos

- 233.57800890 (30" wide - 1 motor -Stainless)
- 233.57810890 (36" wide - 1 motor -Stainless)
- 233.57820890 (36" wide - 2 motors -Stainless)
- 233.57830890 (42" wide - 2 motors -Stainless)
- 233.57840890 (48" wide - 2 motors -Stainless)

233.57805890 (30" wide - 1 motor -White)

233.57815890 (36" wide - 1 motor -White)

233.57825890 (36" wide - 2 motors -White)

233.57835890 (42" wide - 2 motors -White)

233.57845890 (48" wide - 2 motors -White)

233.57809890 (30" wide - 1 motor -Black)

233.57819890 (36" wide - 1 motor -Black)

233.57829890 (36" wide - 2 motors -Black)

233.57839890 (42" wide - 2 motors -Black)

233.57849890 (48" wide - 2 motors -Black)

**⚠ INTENDED FOR DOMESTIC COOKING ONLY ⚠**

**⚠ CONCEBIDO SÓLO PARA USO DOMÉSTICO ⚠**

# READ AND SAVE THESE INSTRUCTIONS

## TABLE OF CONTENTS

SECTION .....	PAGE
Warranty .....	2
Safety Instructions .....	2
Operation .....	3
Cleaning .....	3-4
Parts Included With Hood .....	4
Parts Not Included With Hood .....	4
Tools Needed .....	4
57000 Series Range Hood System .....	5
Equivalent Duct Length Chart .....	6
Prepare The Hood Location .....	7
Prepare The Hood .....	8
Install The Hood .....	9
Connect The Wiring .....	9
Wiring Diagrams .....	10
Finalize the Installation .....	10
Install Filters .....	11
Service Parts .....	12-14

## WARRANTY

If within 1 year from the date of installation, any part of this range hood fails to function properly due to a defect in material or workmanship, Sears will repair the part or furnish and install a new part, free of charge.

### FULL 30-DAY WARRANTY ON FINISH ON PAINTED OR BRIGHT METAL PARTS

If within 30 days from the date of installation, the finish on any painted or bright metal parts of this range hood is defective in material or workmanship, Sears will furnish and install a new part, free of charge.

### WARRANTY SERVICE IS AVAILABLE BY CONTACTING THE NEAREST SEARS SERVICE CENTER/DEPARTMENT IN THE UNITED STATES.

This warranty applies only while this product is in use in the United States. This warranty gives you specific legal rights and you may have other rights which vary from state to state.

Sears, Roebuck and Co., Dept 817WA, Hoffman Estates, IL 60179

## SAFETY INSTRUCTIONS

### WARNING

**TO REDUCE THE RISK OF FIRE, ELECTRIC SHOCK, OR INJURY TO PERSONS, OBSERVE THE FOLLOWING:**

1. Use this unit only in the manner intended by the manufacturer. If you have questions, contact the manufacturer at the address listed in the warranty.
2. Before servicing or cleaning unit, switch power off at service panel and lock the service disconnecting means to prevent power from being switched on accidentally. When the service disconnecting means cannot be locked, securely fasten a prominent warning device, such as a tag, to the service panel.
3. Installation work and electrical wiring must be done by a qualified person(s) in accordance with all applicable codes and standards, including fire-rated codes and standards.
4. Sufficient air is needed for proper combustion and exhausting of gases through the flue (chimney) of fuel burning equipment to prevent backdrafting. Follow the heating equipment manufacturer's guideline and safety standards such as those published by the National Fire Protection Association (NFPA), and the American Society for Heating, Refrigeration and Air Conditioning Engineers (ASHRAE), and the local code authorities.
5. When cutting or drilling into wall or ceiling, do not damage electrical wiring and other hidden utilities.
6. Do not use this range hood with any additional solid state speed control device.
7. Ducted fans must always be vented to the outdoors.
8. To reduce the risk of fire, use only steel ductwork.
9. This unit must be grounded.

**TO REDUCE THE RISK OF A RANGE TOP GREASE FIRE:**

1. Never leave surface units unattended at high settings. Boilovers cause smoking and greasy spillovers that may ignite. Heat oils slowly on low or medium settings.
2. Always turn hood ON when cooking at high heat or when cooking flaming foods.
3. Clean ventilating fans frequently. Grease should not be allowed to accumulate on fan or filter.
4. Use proper pan size. Always use cookware appropriate for the size of the surface element.

### WARNING

**TO REDUCE THE RISK OF INJURY TO PERSONS IN THE EVENT OF A RANGE TOP GREASE FIRE, OBSERVE THE FOLLOWING:\***

1. SMOTHER FLAMES with a close-fitting lid, cookie sheet, or metal tray, then turn off the burner. BE CAREFUL TO PREVENT BURNS. If the flames do not go out immediately, EVACUATE AND CALL THE FIRE DEPARTMENT.
2. NEVER PICK UP A FLAMING PAN - You may be burned.
3. DO NOT USE WATER, including wet dishcloths or towels - This could cause a violent steam explosion.
4. Use an extinguisher ONLY if:
  - A. You know you have a Class ABC extinguisher and you already know how to operate it.
  - B. The fire is small and contained in the area where it started.
  - C. The fire department is being called.
  - D. You can fight the fire with your back to an exit.

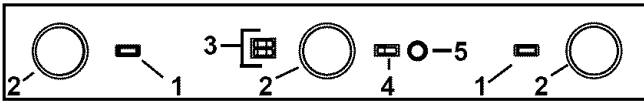
\* Based on "Kitchen Firesafety Tips" published by NFPA.

### CAUTION

1. For general ventilating use only. Do not use to exhaust hazardous or explosive materials and vapors.
2. To avoid motor bearing damage and noisy and/or unbalanced impellers, keep drywall spray, construction dust, etc. off power unit.
3. Your hood motor has a thermal overload which will automatically shut off the motor if it becomes overheated. The motor will restart when it cools down. If the motor continues to shut off and restart, have the hood serviced.
4. For best capture of cooking impurities, the bottom of the hood should be a minimum of 24" and a maximum of 30" above the cooking surface.
5. To reduce the risk of fire and to properly exhaust air on a ducted installation, be sure to duct air outside - Do not exhaust air into spaces within walls or ceiling or into attics, crawl spaces, or garage.
6. This product is equipped with a thermostat which may start blower automatically. To reduce the risk of injury and to prevent power from being switch on accidentally, switch power off at service panel and lock or tag service panel.
7. Because of the high exhausting capacity of this hood, you should make sure enough air is entering the house to replace exhausted air by opening a window close to or in the kitchen.
8. Use with approved cord-connection kit only.
9. Please read specification label on product for further information and requirements.

## OPERATION

Always turn ON your hood before you begin cooking in order to establish an air flow in the kitchen. Let the blower run for a few minutes to clear the air after you turn off the range. This will help keep the whole kitchen cleaner and brighter.



HC0005

1. Warming lamp switches
2. Halogen lights
3. Halogen light switches
4. ON/OFF Blower switch
5. Blower speed control

### Warming Lamps (Infrared)

Each warming lamp (not shown) is controlled with its own ON/OFF switch (item 1 on picture above).

Use only 120V, IR175W, PAR38, infrared bulbs. (Sears part # 57852.)



**WARNING: Do not place highly flammable material on warming shelves.**

### Cooktop Lighting (Halogen)

A double set of ON/OFF switches (item 3 on picture above) control the halogen lights (item 2 on picture above).

The front rocker controls the center light for 42" and 48" hoods. The rear rocker controls both side lights (each switch controls one light for 30" and 36" hood). Select one, two, or three lights for best cooktop lighting.

Use PAR 20, 50W halogen bulbs. (Sears part # 57853.)

### Blower

The blower is operated using two (2) controls.

Use the ON/OFF blower switch (item 4 on picture above) to start and stop the blower. When turned on, the blower will operate at the previous setting of the speed control (item 5 on the picture above).

Turn the speed control knob clockwise to decrease blower speed - counterclockwise to increase speed.

### HEAT SENTRY™

Your hood is equipped with a HEAT SENTRY™ thermostat. This thermostat is a device that will turn on or speed up the blower if it senses excessive heat above the cooking surface.

- 1) If blower is OFF - it turns blower ON to high speed.
- 2) If blower is ON at a lower speed setting - it turns blower up to HIGH speed.

When the temperature level drops to normal, the blower will return to its original setting.



**WARNING: The HEAT SENTRY™ thermostat can start the blower even if the hood is turned OFF. When this occurs, it is impossible to turn the blower OFF with the switch. If you must stop the blower, do it from the main electrical panel.**

## CLEANING

### Grease filters

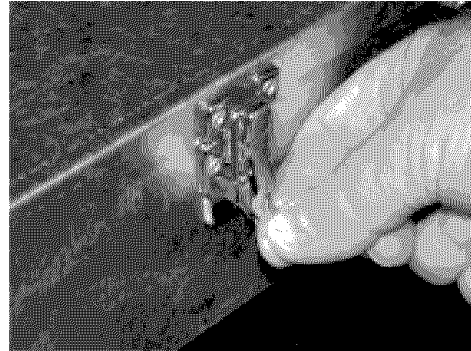
The grease filters should be cleaned frequently. Use a warm detergent solution.

Wash more often if your cooking style generates greater grease - like frying foods or wok cooking.

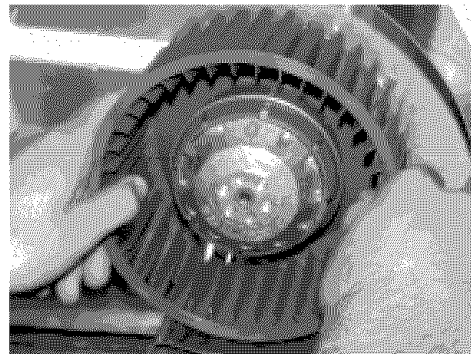
Remove filters by pushing filters towards the back of hood and rotating filters downward.

### Impeller(s)

Remove the grease filters. To remove the impeller(s), take off the cover by unlatching both sides of the blower. then, remove impeller(s) by pulling it (them) out. See pictures below.



HD0021



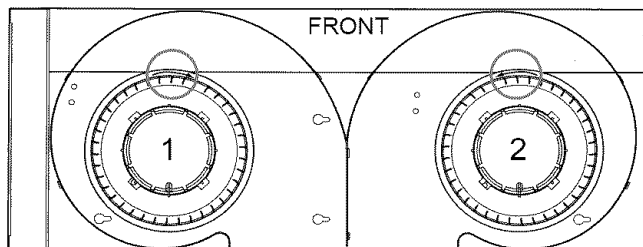
HD0022

There is a tab on the interior ring of the wheel, make sure it fits into one of the holes on the motor (you will feel it fall into position). Reinstall impeller(s) and cover.



**CAUTION: For dual blower unit, make sure the impellers are correctly installed; the hood will not work properly if the impellers are reversed.**

Both impellers are different in the dual blower, one rotates clockwise and the other counterclockwise. Each wheel and motor have an arrow and a number on them, you have to match them correctly. See illustration below.



HD0023

Warranty

Safety

Operation

Cleaning

Installation

Service Parts

## CLEANING

### Hood Cleaning

Stainless steel cleaning: How to maintain its "BRIGHT LOOK"

#### Do:

- Regularly wash surfaces with clean cloth or rag soaked with warm water and mild soap or liquid dish detergent.
- Always clean in the direction of original polish lines.
- Always rinse well with clear water (2 or 3 times) after cleaning. Wipe dry completely.
- You may also use a specialized household stainless steel cleaner.

#### Don't:

- Do not use any steel or stainless steel wool or any other scrapers to remove stubborn dirt.
- Do not use any harsh or abrasive cleaners.
- Do not allow dirt to accumulate.
- Do not let plaster dust or any other construction residues reach the hood. During construction/renovation, cover the hood to make sure no dust sticks to stainless steel surface.

## CLEANING

### Avoid: when choosing a detergent

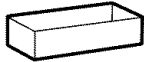
- Any cleaners that contains **bleach** will attack stainless steel.
- Any products containing: **chloride, fluoride, iodide, bromide** will deteriorate surfaces rapidly.
- Any combustible products used for cleaning such as **acetone, alcohol, ether, benzol**, etc., are highly explosive and should not be used close to a range.

### Enamel finish:

Clean with warm water and mild detergent only.

When discoloration occurs, use a good enamel polish such as automotive polish. (**DO NOT** use rough abrasive cleaner or porcelain cleaner.)

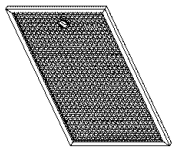
## PARTS INCLUDED WITH HOOD



Adapter and Damper



Flow Deviator



**Grease Filters**  
(3 per 30" and 36" hoods  
4 per 42" and 48" hoods)



**Parts Bag**  
(includes 1 wire clamp,  
8 double thread screws 1/2",  
2 wire connectors,  
2 standard screws 1/2")

## PARTS NOT INCLUDED WITH HOOD



**PAR 20 50W  
Light Bulb**  
(2 per 30" and 36" hoods,  
3 per 42" and 48" hoods)  
Sears Part No. 57853

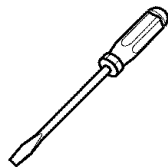


**IR 175W, PAR 38  
Warming Lamp**  
(2 per hood)  
Sears Part No. 57852

### Ducting Accessories

(See "57000 Series Range Hood System" on page 5 for Ducting Accessory Model Nos.)

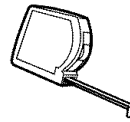
## TOOLS NEEDED FOR HOOD INSTALLATION



**Screwdriver  
(Robertson or Phillips)**



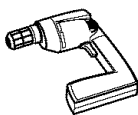
**Pencil**



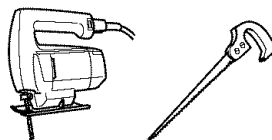
**Tape  
Measure**



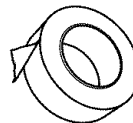
**Hammer**



**Drill**



**Sabre  
Saw -or-  
Keyhole  
Saw**

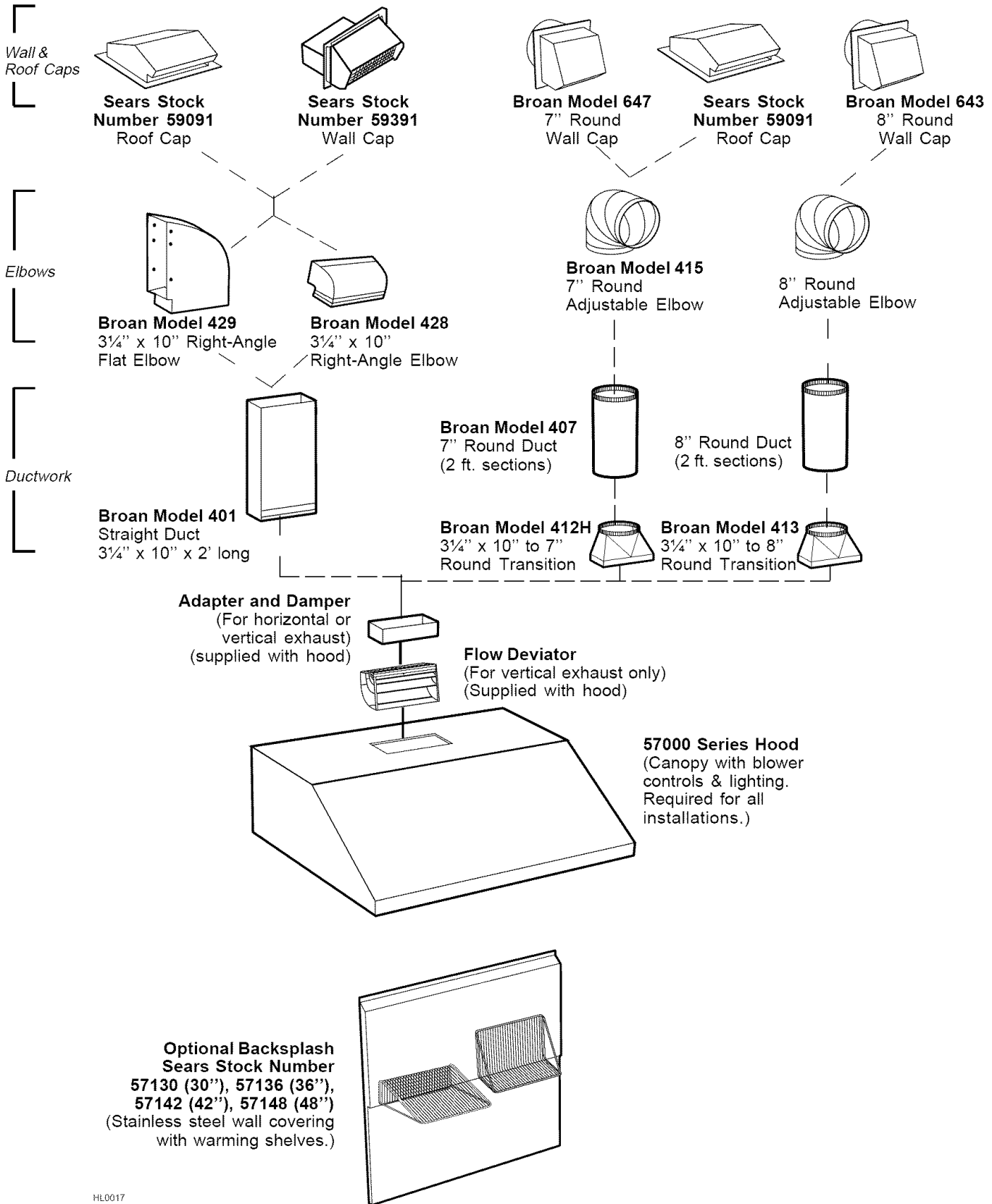


**Duct Tape**



**Wire  
Stripper**

# 57000 SERIES RANGE HOOD SYSTEM



HL0017

**SEARS STOCK NUMBERS** available through your local Sears store, on line at Sears.com, or from Sears Parts at 1-800-366-7278. For availability of Broan Models, please call 1-800-558-1711.

Warranty

Safety

Operation

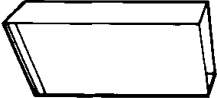
Cleaning

Installation


Service Parts

# EQUIVALENT DUCT LENGTH CHART


Kenmore range hoods are designed to perform efficiently when attached to long runs of duct. As a point of reference, this hood will function at approximately 80% of its rated air flow when 75 equivalent feet of 7" round ductwork is attached. Use this chart to calculate the equivalent duct length of your system.



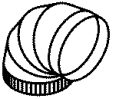
**Broan Model 401  
Straight Duct**  
3¼-in. x 10-in. x 2-ft. long  
Equivalent length  
**2 ft.**




**Broan Model 407  
Straight Duct**  
7-in. round x 2-ft. long  
Equivalent length  
**2 ft.**




**Straight Duct**  
8-in. round x 2-ft. long  
Equivalent length  
**2 ft.**




**Broan Model 415  
7-in. Round Elbow**  
Equivalent length  
**8 ft.**




**8-in. Round Elbow**  
Equivalent length  
**8 ft.**



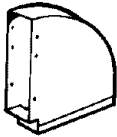
**Broan Model 412  
3¼-in. x 10-in. to  
7-in. Round - Vertical  
Transition**  
Equivalent length  
**8 ft.**



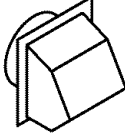
**Broan Model 413  
3¼-in. x 10-in. to  
8-in. Round - Vertical  
Transition**  
Equivalent length  
**8 ft.**



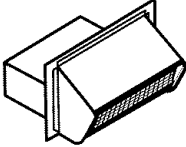
**Broan Model 428  
3¼-in. x 10-in.  
Right-angle Elbow  
Right Transition**  
Equivalent length  
**8.5 ft.**



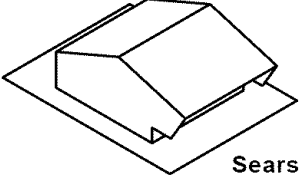
**Broan Model 429  
3¼-in. x 10-in.  
Right-angle flat Elbow**  
Equivalent length  
**24 ft.**



**Broan Model 647  
7-in. Round  
Wall Cap**  
Equivalent length  
**34 ft.**  
(15-ft. w/o damper)



**Sears Model  
59391  
3¼-in. x 10-in.  
Wall Cap**  
Equivalent length  
**45 ft.**  
(7-ft. w/o damper)

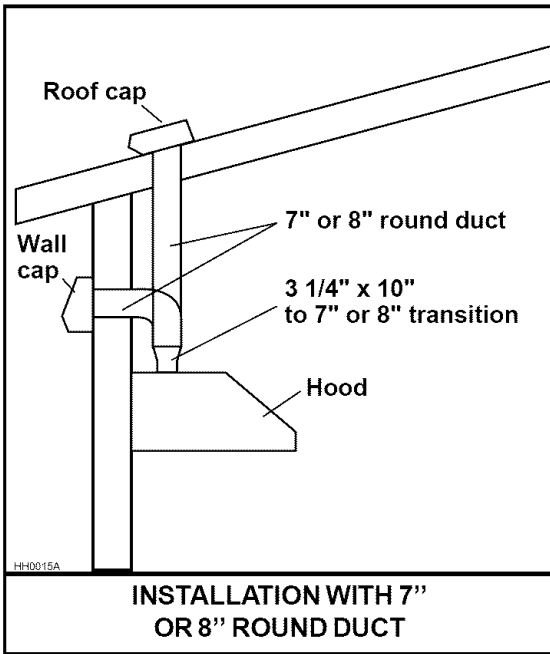
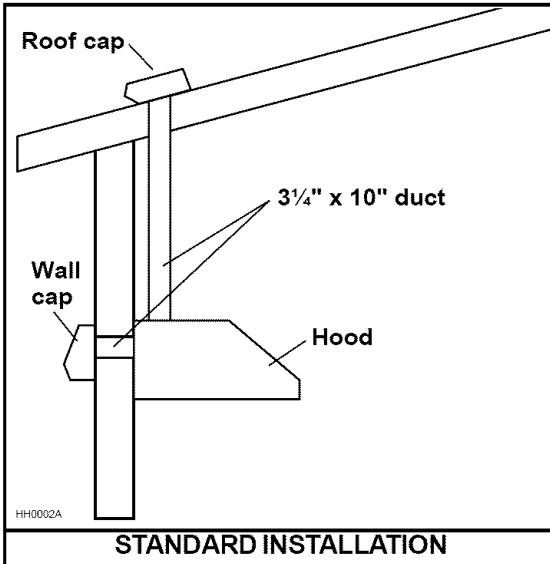


**Sears  
Model 59091  
Roof Cap**  
(accepts 7-in. round  
or 3¼-in. x 10-in. duct)  
Equivalent length  
**30 ft.** (7-ft. w/o damper)

**SEARS STOCK NUMBERS** available through your local Sears store, on line at [Sears.com](http://Sears.com), or from Sears Parts at 1-800-366-7278. For availability of Broan Models, please call 1-800-558-1711.

# PREPARE THE HOOD LOCATION

- Plan where and how the ductwork will be located. Install proper-sized ductwork, transition(s), elbow(s), and roof or wall cap for the type of blower you are using. If using round ducts, use a transition. For best results, use a minimum number of transition and elbows. Use 2" duct tape to seal all duct joints.

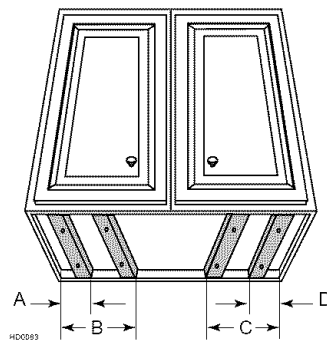
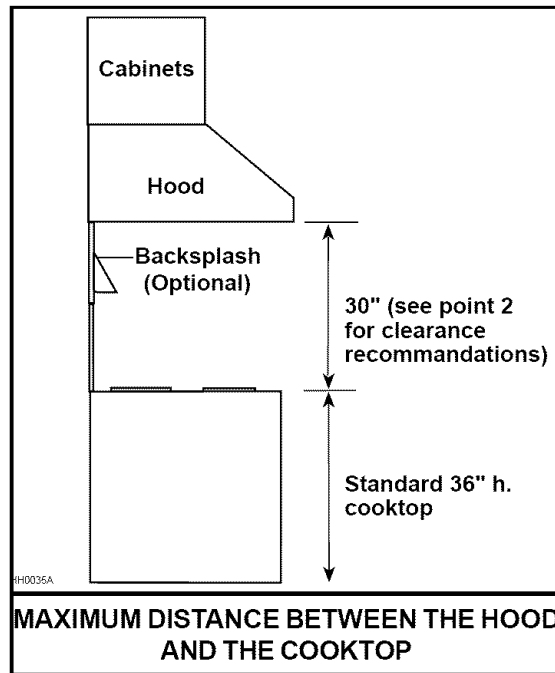
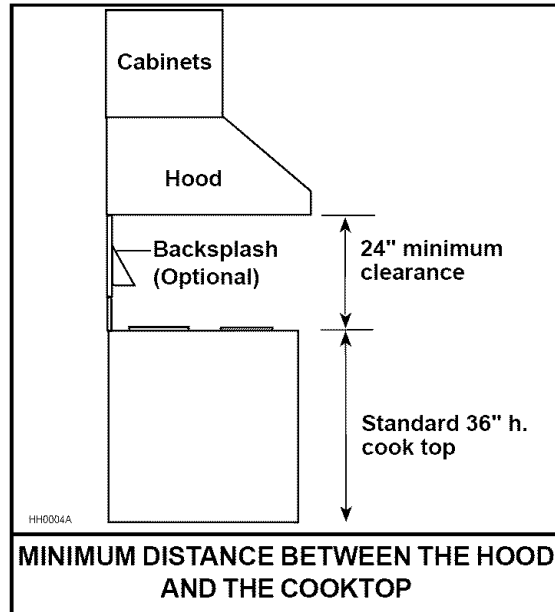


NOTE: For cabinets with recessed bottom, attach wood filler strip (not included) on each sides, as shown beside. Use two (2) 1-inch wide strips for 30" wide hoods, and four (4) 1-inch wide strips for wider hoods, cut to length. See below for wood filler strip locations.

HOOD WIDTH	LOCATIONS			
	A	B	C	D
30"	1 1/2"	N/A	N/A	1 1/2"
36"	1 1/2"	2 3/4"	5"	1 1/2"
42"	1 1/2"	5 1/2"	8"	1 1/2"
48"	1 1/2"	8 1/2"	11"	4"

- Dimensions for the most common installations are shown below.

The minimum hood distance above the cooktop must not be less than 24". A maximum of 30" above the cooktop is highly recommended for best capture of cooking impurities. Distances over 30" are at the installer and users discretion.



Warranty

Safety

Operation

Cleaning

Installation

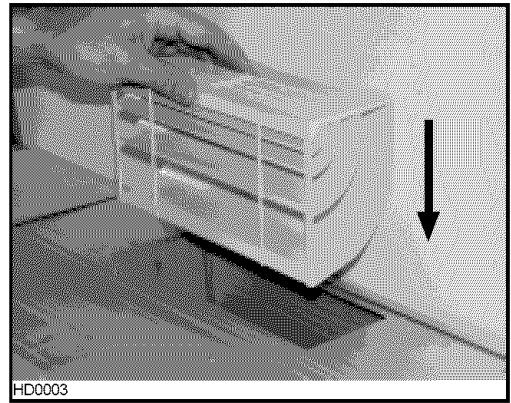
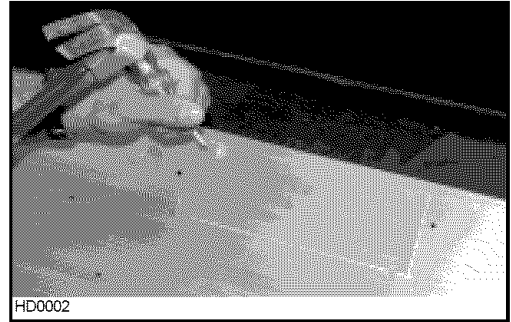
Service Parts

## PREPARE THE HOOD

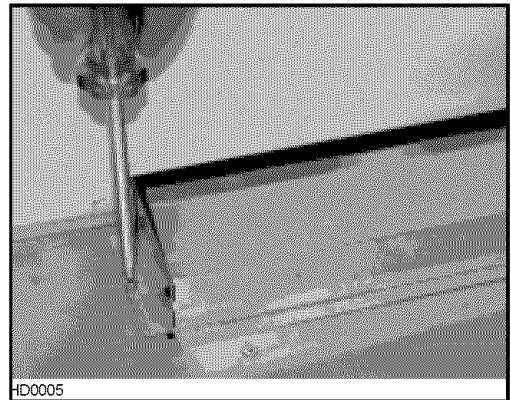
### OPTION

A Backsplash is available (see page 5 for more details). This backsplash must be installed before the hood shell because the hood shell covers the backsplash top mounting screws. Also, when the range control panel is higher than the cooktop, make sure there is at least 18" (457 mm) clearance between the bottom of hood and the range control panel. (Refer to instructions included with backsplash.)

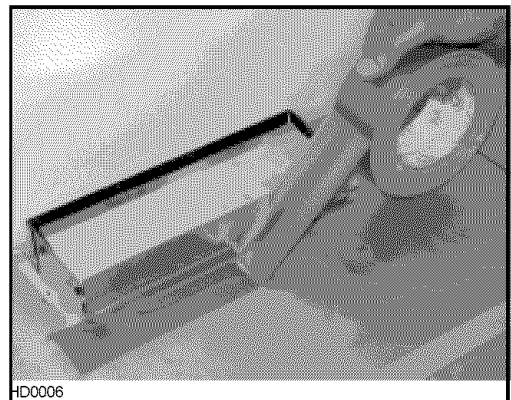
1. Remove the knockout for the chosen opening (horizontal or vertical) at the back or top of the hood and for the electric connection. **YOU MUST** install the **Flow Deviator** if you choose the vertical exhaust. See pictures beside.



2. Using (2) **1/2" screws**, secure the **Adapter and Damper** to the top or back of the hood.



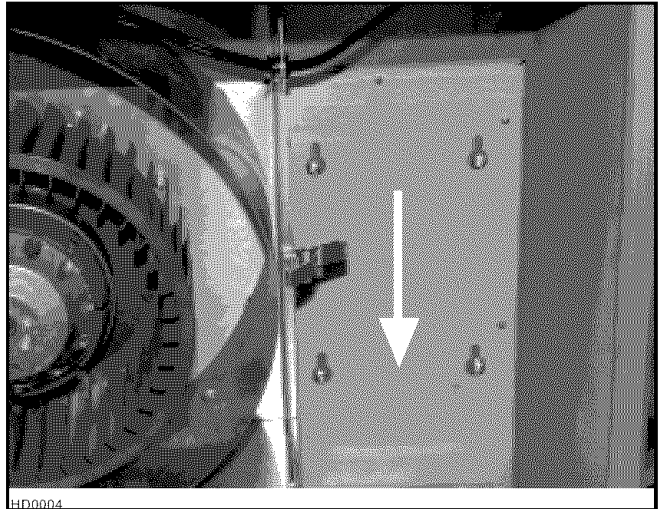
3. Tape the **adapter and damper** to the hood using duct tape to seal it.





## INSTALL THE HOOD

1. Run power cable to installation location. Place the hood at its location. Using a pen, mark the position of the screws (smaller part of the key holes). Remove the hood and install the (8) **1/2" double thread screws** leaving a 1/8" gap (4 screws for 30" hood). Remove wiring cover and set aside. Place the wire clamp, insert the hood and tighten the wire clamp to secure the cable. Place the hood under the cabinet and slide it in position. Make sure the adapter enters the ductwork. Secure the hood by tightening the screws completely.




HD0004

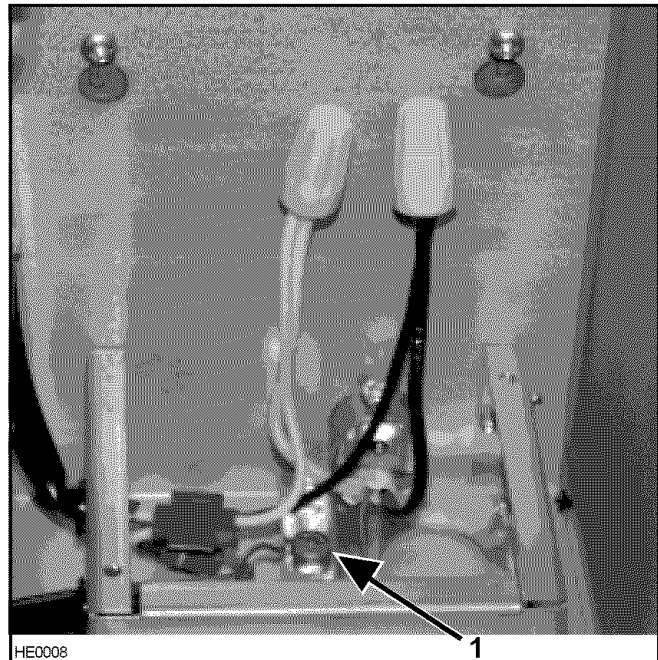
Warranty

Safety

## CONNECT THE WIRING

 **WARNING:** Risk of electrical shock. Electrical wiring must be done by qualified personnel in accordance with all applicable codes and standards. Before connecting wires, switch power off at service panel and lock service disconnecting means to prevent power from being switched on accidentally.

1. Connect cable to wiring box using wire connectors. Connect BLACK to BLACK, WHITE to WHITE, and GREEN wire under second ground screw. Reinstall wiring cover. **DO NOT FORGET TO CONNECT THE GROUND.**



HE0008

1) Ground screw

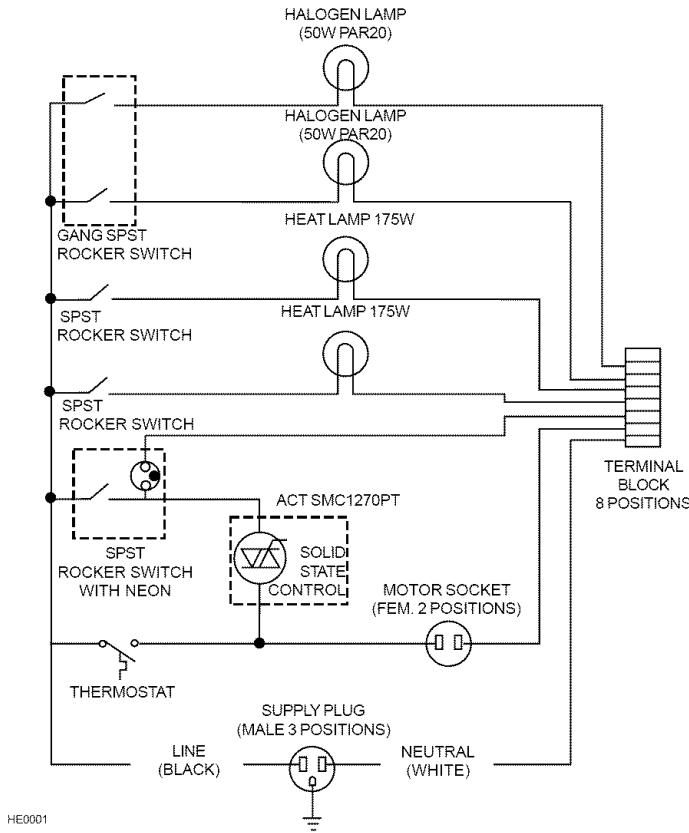
Operation

Cleaning

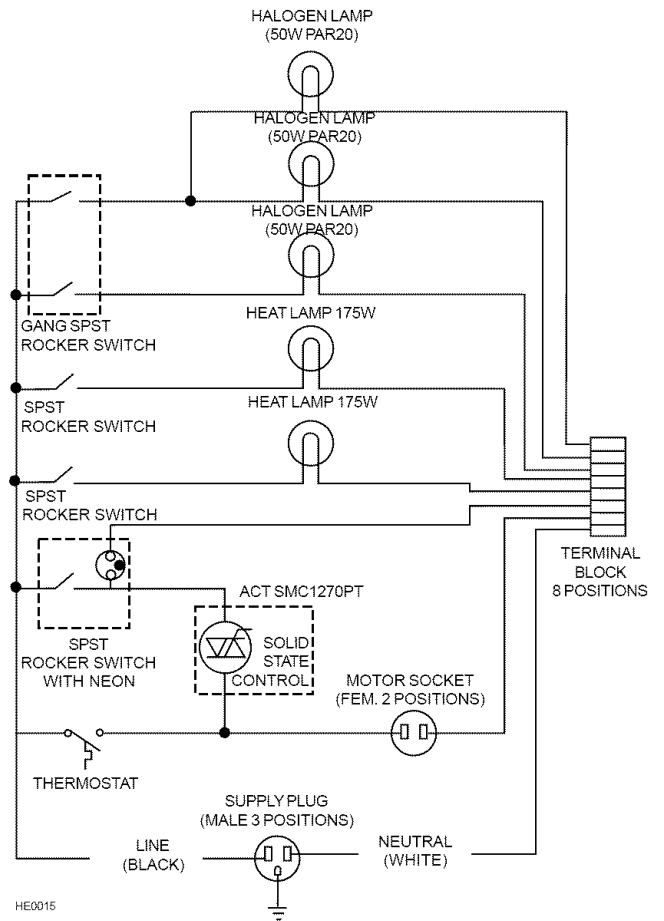
Installation

Service Parts

# WIRING DIAGRAMS



**30" and 36" HOODS**



**42" and 48" HOODS**

# FINALIZE THE INSTALLATION

1. Install (2) heat lamp bulbs. Use 120V, IR 175W, PAR 38, infrared bulbs only (purchase separately). According to the hood width, install (2) or (3) halogen light bulbs. Use PAR20 50W size (purchase separately).

Refer to page 4 for ordering information.

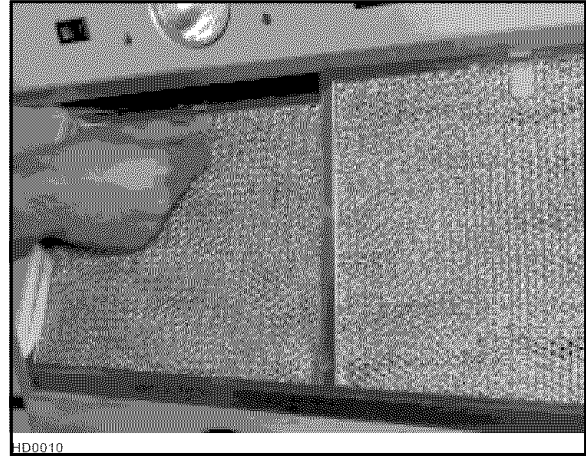
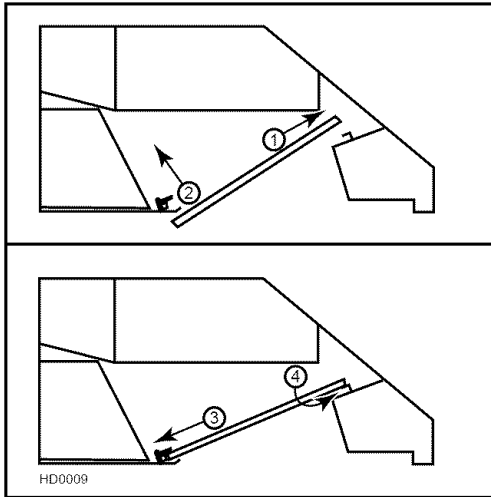
# INSTALL FILTERS

## Mesh filters installation (for models: 57800, 57810, 57805, 57815, 57809 and 57819)

It is recommended to install side filters first and finish with center one(s).

Install as follows:

- 1) Insert upper end of filter into the hood (filter tab side).
- 2) Raise lower end toward the inside of hood.
- 3) Position rear part of filter into channel and pull.
- 4) Using filter tabs, pull on the upper end of filter and slide it under the front inner retaining piece.



Replacement filters are available.  
Refer to page 12 for ordering information.

## Baffle filters installation (for models: 57820, 57830, 57840, 57825, 57835, 57845, 57829, 57839 and 57849 only)

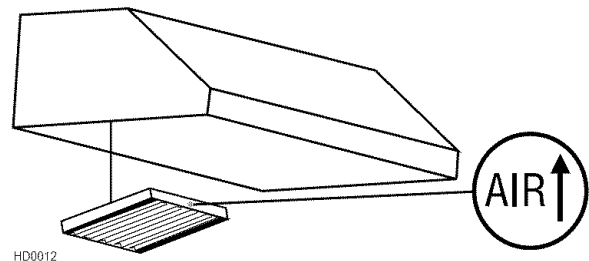
**CAUTION:** Remove protective plastic film covering filters before installing them.

It is recommended to install side filters first and finish with center one(s).

Install as follows:

Make sure the filters are positioned as shown thus allowing the grease to reach the channel easily.

A vertical arrow with the word AIR can be found on filter border; make sure to install the filter with the arrow aiming toward the inside of the hood. See illustrations beside.



Warranty

Safety

Operation

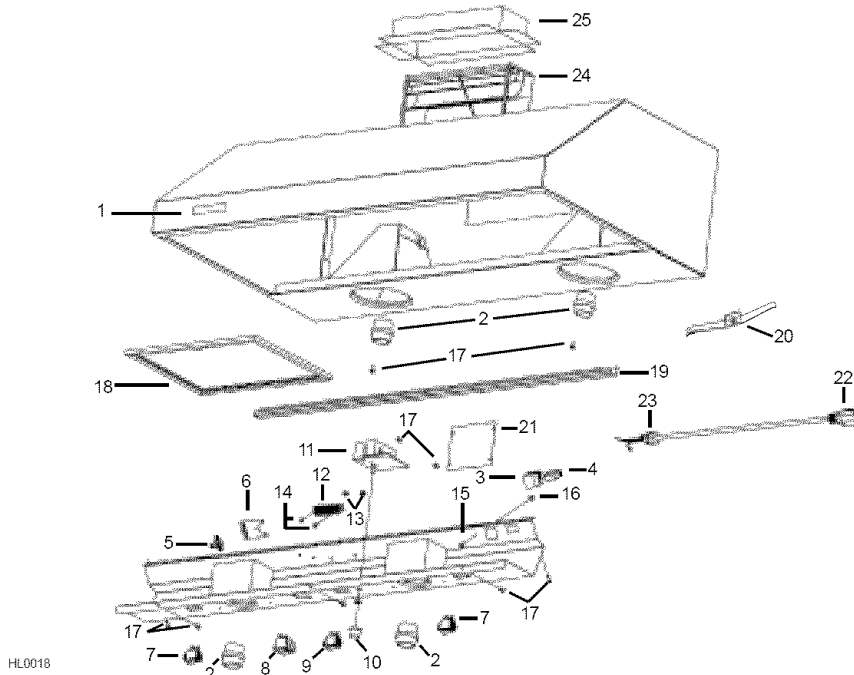
Cleaning

Installation

Service Parts

# SERVICE PARTS

## RANGE HOOD



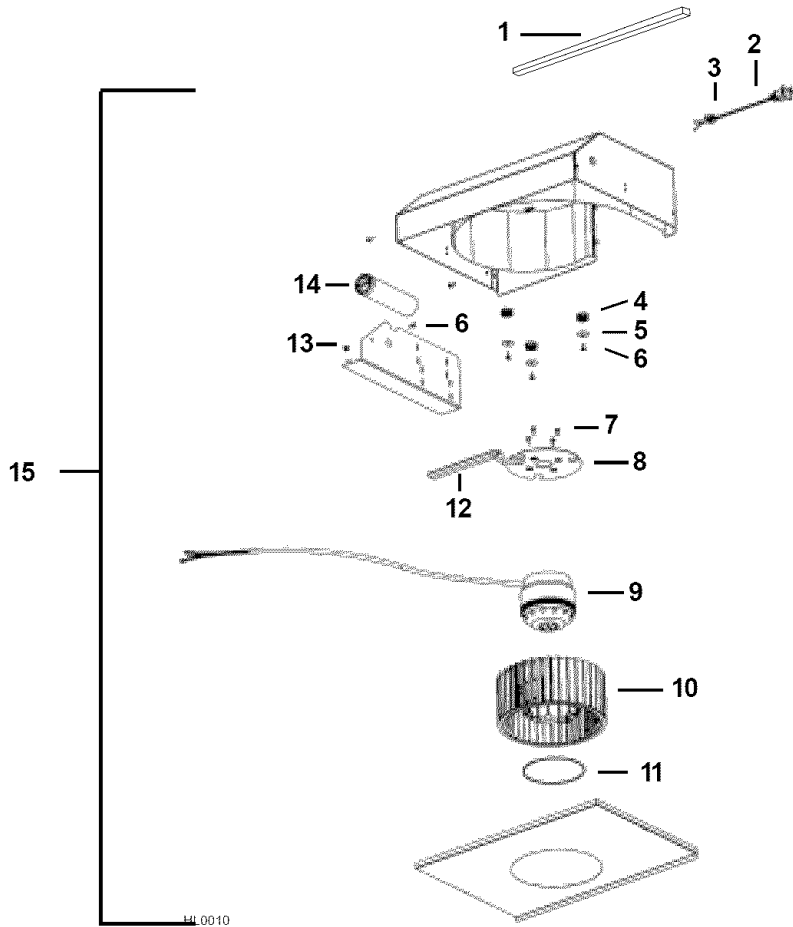
KEY NO.	PART NO.	DESCRIPTION	QTY (hood width)			
			30"	36"	42"	48"
1	V03657	Kenmore Logo	1	1	1	1
2	V02264	Porcelain Lamp Socket	4	4	4	4
3	V02773	Male Motor Connector	1	1	1	1
4	V02772	Female Motor Connector	1	1	1	1
5	V03435	Thermostat	1	1	1	1
6	V03436	Thermostat Bracket	1	1	1	1
7	V02563	SPST Black Single Switch for Heat Lamps	2	2	2	2
8	V03502	SPST Double Switch for Halogen Lights	1	1	1	1
9	V03503	SPST Lighted Single Switch for Blower	1	1	1	1
10	V03504	Speed Control Button	1	1	1	1
11	V03501	Speed Control	1	1	1	1
12	V03505	Terminal Block	1	1	1	1
**	V03517	Power Cord	1	1	1	1
**	V03518	Cords for Heat Lamp	1	1	1	1
**	V03519	Control Wire	1	1	1	1
**	V03520	Lighted Switch Wire	1	1	1	1
**	V03689	Screw #10-32 x 3/8", T/F, Green	1	1	1	1
13	V00673	Lock Nut 8-32	2	2	2	2
14	V02512	Machine Screw 8-32 x 1/2 Quadrex	2	2	2	2
15	V01869	Machine Screw 6-32 x 1/4 Pan Quadrex	1	1	1	1
16	V01582	Lock Nut 6-32	1	1	1	1
17	V00606	Screw #8 -3/8" T/B, #8 Head	7	7	8	8
18	V03509	Filter 8.930" x 9.8000"	2	-	-	-
	V03510	Filter 11.930" x 9.8000"	1	3	-	-
	V13429	Baffle Filter 8.930" x 9.8000"	-	-	2	-
	V13430	Baffle Filter 11.930" x 9.8000" (except 5781X models)	-	3	2	4
19	V13216	Grease Rail 30"	1	-	-	-
	V13217	Grease Rail 36"	-	1	-	-
	V13218	Grease Rail 42"	-	-	1	-
	V13219	Grease Rail 48"	-	-	-	1
20	V03686	Filter Clip	3	3	4	4
21	V13230	Electric Box Cover	1	1	1	1
22	V03496	Power Cord, 120V	1	1	1	1
23	V00660	Strain Relief for Power Cord	1	1	1	1
24	V03500	Air Deflector	1	1	1	1
25	V13296	Adapter and Damper	1	1	1	1
**	V02544	Halogen Lamp	2	2	3	3
**	V03598	Heat Lamp	2	2	2	2
**	V03654	Installation Guide	1	1	1	1
**	V13279	Installation Bag (Wire Clamp (1), Wire Connectors (2), Double Threads Screws 6-12 x 1/2" (8), Screws #6 x 1/2" (2))	1	1	1	1

Order replacement parts by PART NO. - not by KEY NO.

\*\* Not illustrated.

# SERVICE PARTS

## SINGLE BLOWER



KEY NO.	PART NO.	DESCRIPTION	QTY (hood width)	
			30"	36"
1	V03577	Foam 1/2" x 1/2" x 12"	1	1
2	V03494	Blower 36" Power Cord	1	1
3	V00660	Strain Relief for Blower Cord	1	1
4	V02001	Motor Grommet G-431-1	3	3
5	V00871	Washer 3/16" ID x 3/4" OD	3	3
6	V01869	Machine Screw 6-32 x 1/4 Pan Quadrex	4	4
7	V01927	Metric Screw M4 x 6mm Pan Quadrex	4	4
8	V11705	Motor Mount	1	1
9	V01766	Motor 165W CW	1	1
10	V03400	Impeller, Hood 7.094" x 3.375" CW	1	1
11	V01810	Impeller Ring	1	1
12	V01857	Wire Cover	1	1
**	V01831	8" Tie Wrap	2	2
13	V01582	Lock Nut 6-32	1	1
**	V11614	Wire #18 TewBrown x 10"	1	1
14	V02160	Capacitor 15 $\mu$ F	1	1
15	V14973	Single Blower Assembly	1	1

Order replacement parts by PART NO. - not by KEY NO.

\*\* Not illustrated.

Warranty

Safety

Operation

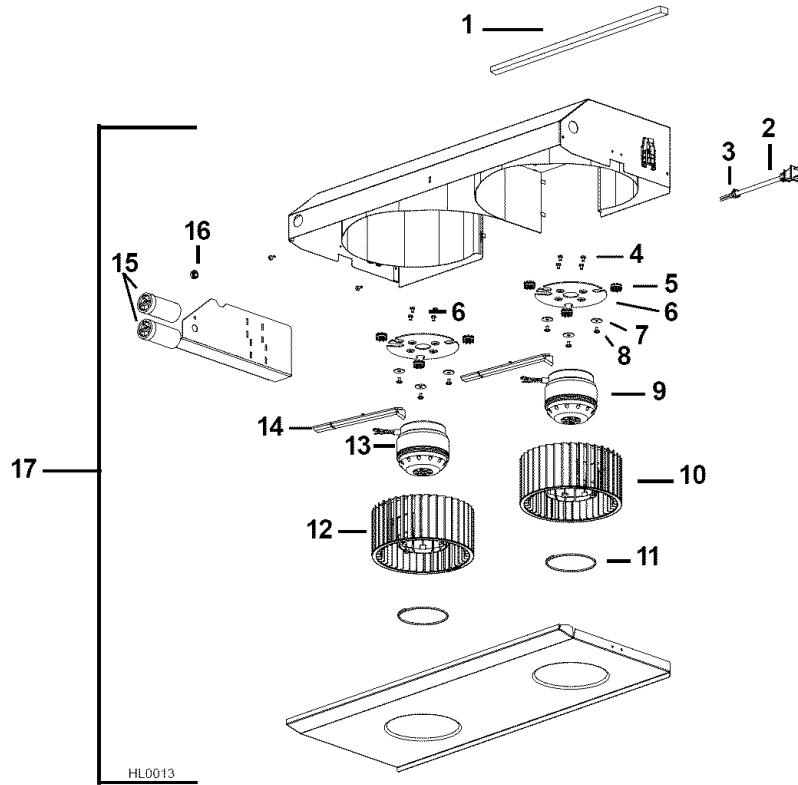
Cleaning

Installation

Service Parts

# SERVICE PARTS

## DUAL BLOWER



KEY NO.	PART NO.	DESCRIPTION	QTY (hood width)		
			36"	42"	48"
1	V03577	Foam 1/2" x 1/2" x 12"	1	1	1
2	V03494	Blower 36" Power Cord	1	1	1
3	V00660	Strain Relief for Blower Cord	1	1	1
4	V01927	Metric Screw M4 x 6mm Pan Quadrex	8	8	8
5	V02001	Motor Grommet G-431-1	6	6	6
6	V11705	Motor Mount	2	2	2
7	V00871	Washer 3/16" ID x 3/4" OD	6	6	6
8	V01869	Machine Screw 6-32 x 1/4 Pan Quadrex	7	7	7
9	V03457	Motor 165W CCW	1	1	1
10	V03399	Impeller, Hood 7.094" x 3.375" CCW	1	1	1
11	V01810	Impeller Ring	2	2	2
12	V03400	Impeller, Hood 7.094" x 3.375" CW	1	1	1
13	V01766	Motor 165W CW	1	1	1
14	V01857	Wire Cover	2	2	2
**	V01831	8" Tie Wrap	4	4	4
15	V02160	Capacitor 15 $\mu$ F	2	2	2
**	V11614	Wire #18 TewBrown x 10"	2	2	2
16	V01582	Lock Nut 6-32	1	1	1
17	V14974	Dual Blower Assembly	1	1	1

Order replacement parts by PART NO. - not by KEY NO.

\*\* Not illustrated.

# Get it fixed, at your home or ours!

## Your Home

For repair – **in your home** – of **all** major brand appliances, lawn and garden equipment, or heating and cooling systems, **no matter who made it, no matter who sold it!**

For the replacement parts, accessories and owner's manuals that you need to do-it-yourself.

For Sears professional installation of home appliances and items like garage door openers and water heaters.

**1-800-4-MY-HOME® (1-800-469-4663)**

Call anytime, day or night (U.S.A. and Canada)

[www.sears.com](http://www.sears.com)    [www.sears.ca](http://www.sears.ca)

## Our Home

For repair of carry-in items like vacuums, lawn equipment, and electronics, call or go on-line for the location of your nearest **Sears Parts & Repair Center.**

**1-800-488-1222**

Call anytime, day or night (U.S.A. only)

[www.sears.com](http://www.sears.com)

To purchase a protection agreement on a product serviced by Sears:

**1-800-827-6655** (U.S.A.)

**1-800-361-6665** (Canada)

Para pedir servicio de reparación a domicilio, y para ordenar piezas:

**1-888-SU-HOGAR<sup>SM</sup>**

(1-888-784-6427)

Au Canada pour service en français:

**1-800-LE-FOYER<sup>MC</sup>**

(1-800-533-6937)

[www.sears.ca](http://www.sears.ca)

# SEARS

Warranty

Safety

Operation

Cleaning

Installation

Service Parts

® Registered Trademark / ™ Trademark / ™ Service Mark of Sears, Roebuck and Co.

® Marca Registrada / ™ Marca de Fábrica / ™ Marca de Servicio de Sears, Roebuck and Co.

MC Marque de commerce / MD Marque déposée de Sears, Roebuck and Co.

© Sears, Roebuck and Co.

# LEA Y CONSERVE ESTAS INSTRUCCIONES

## TABLA DE CONTENIDO

SECCIÓN	PÁGINA
Garantía .....	16
Instrucciones de seguridad .....	16
Operación .....	17
Limpieza .....	17-18
Piezas incluidas .....	18
Piezas no incluidas .....	18
Herramientas necesarias .....	18
Sistema de la campana Serie 57000 .....	19
Cuadro de equivalencia de largo de conducto .....	20
Prepare la localización para la campana .....	21
Prepare la campana .....	22
Instale la campana .....	23
Conecte el cableado .....	23
Esquemas eléctrico .....	24
Terminar la instalación .....	24
Instale los filtros .....	25
Piezas de servicio .....	26-28

## GARANTIA

Si dentro de 1 año de la fecha de la instalación, cualquier parte de esta campana de cocina deja de funcionar en forma apropiada debido a defecto en el material o la mano de obra, Sears reparará la pieza afectada o proveerá e instalará una pieza nueva libre de cargo.

### GARANTIA COMPLETA DE 30 DÍAS EN EL ACABADO EN PIEZAS METÁLICAS PINTADAS O ABRILLANTADAS

Si dentro de 30 días de la fecha de la instalación, el acabado de cualquier parte metálica pintada o abrillantada perteneciente a esta campana de cocina aparece con defecto en el material o la mano de obra, Sears proveerá e instalará una pieza nueva libre de cargo.

### EL SERVICIO DE GARANTIA SE OBTIENE PONIÉNDOSE EN CONTACTO CON EL CENTRO DE SERVICIO O DEPARTAMENTO SEARS MÁS CERCANO EN LOS ESTADOS UNIDOS.

Esta garantía es valedera únicamente si este producto se tiene en uso dentro de los Estados Unidos. Esta garantía le confiere derechos legales específicos y Ud. puede tener además otros derechos que varían de estado a estado.

Sears, Roebuck and Co., Dept. 817WA, Hoffman Estates, IL 60179

## INSTRUCCIONES DE SEGURIDAD

### ADVERTENCIA

PARA REDUCIR EL RIESGO DE INCENDIO, CHOQUE ELECTRICO, O LESION A PERSONAS, PROCURE LO SIGUIENTE:

1. Utilice esta unidad sólo en la manera prescrita por el fabricante. Si tiene usted alguna pregunta, comuníquese con el fabricante a la dirección indicados en la garantía.
2. Antes de efectuar algún servicio o limpieza, se debe desconectar la corriente eléctrica en el armario de circuitos y asegurarlo con llave para evitar que la corriente sea conectada accidentalmente. Cuando el dispositivo para desconectar el servicio eléctrico no puede ser cerrado con algún tipo de traba, sujete fuertemente al panel de servicio, una etiqueta de advertencia prominente.
3. Todo trabajo de instalación y cableado eléctrico debe ser realizado por personal calificado y de acuerdo con todos los códigos y normas pertinentes, incluyendo los códigos y normas relacionados con construcción clasificada para incendio.
4. Aire suficiente es necesario para facilitar la combustión adecuada y la salida apropiada de gases por la chimenea de la unidad y para evitar corrientes de aire invertidas. Siga las instrucciones y medidas de seguridad del fabricante del equipo y los publicados por la Asociación nacional de protección contra incendios (NFPA por sus siglas in Inglés), y la Sociedad americana de ingenieros de calefacción, refrigeración y aire acondicionado (ASHRAE por sus siglas in Inglés), y los reglamentos de seguridad locales.
5. A cortar o perforar la pared o el techo, no dañe el cableado eléctrico ni otros servicios públicos ocultos a la vista.
6. No utilice este ventilador con ningún dispositivo de una control de velocidad de estado sólido adicional.
7. Los abanicos con ducto deberán siempre tener una salida hacia el exterior.
8. Para reducir el riesgo de incendio, use sólo ductos de metal.
9. Esta unidad se debe instalar con tierra efectiva.

PARA REDUCIR EL RIESGO DE INCENDIO DE GRASA EN LA SUPERFICIE DE LA ESTUFA:

1. No deje nunca los aparatos de cocer sin vigilancia a fuego vivo. Los desbordamientos producen humo y derrames grasiosos que pueden inflamarse. Caliente el aceite despacio, a fuego lento o mediano.
2. Ponga en marcha siempre la campana al cocinar a temperaturas elevadas o al cocinar alimentos flameados.
3. Limpie con frecuencia los ventiladores. No debe permitir que la grasa se acumule en el ventilador ni en el filtro.
4. Utilice un sartén de tamaño adecuado. Siempre utilice el utensilio adecuado al tamaño del elemento de superficie.

### ADVERTENCIA

PARA EVITAR RIESGO DE LESIONES PERSONALES EN CASO DE INCENDIO DE GRASA EN LA SUPERFICIE DE LA ESTUFA, OBSERVE LO SIGUIENTE:\*

1. Cubra y sofoque las llamas con una tapa ajustada, azafate de hornear galletas, o azafate de metal, y luego apague el calentador. Tenga CUIDADO PARA EVITAR QUEMADURAS. Si las llamas no se apagan inmediatamente, HAY QUE EVACUAR Y LLAMAR LOS BOMBEROS.
2. NUNCA ALCE UNAS ARTÉNES QUE TENGAN LLAMAS - Usted se puede quemarse.
3. NO UTILICE AGUA, incluyendo trapos, lavaplatos mojados o toallas - puede que ocurran explosiones de vapor violentas.
4. Utilice un extinguidor SOLAMENTE si:
  - A. Usted sabe que tiene un extinguidor de clas ABC y lo sabe utilizar.
  - B. El incendio es pequeño y contenido dentro del área donde se inició.
  - C. Los bomberos han sido avisados.
  - D. Usted puede combatir el incendio con una salida a su espalda.

\* Basado en las recomendaciones para "Seguridad en la Cocina" publicadas por la NFPA de los EEUU.

### PRECAUCIÓN

1. Sólo para uso de ventilación general. No se use para extra materiales o vapores peligrosos o explosivos.
2. Para evitar daños al cojinete del motor y/o impulsores ruidosos o desequilibrados, mantenga la fuente de potencia lejos de rocíos de pared seca, de polvo de construcción, etc.
3. El motor de la campana tiene un dispositivo contra sobrecargas térmicas que apaga el motor en forma automática si éste se sobrecalienta. El motor volverá arrancar cuando se enfríe. Si el motor sigue apagándose, haga verificar la campana.
4. Para lograr una mejor captura de las impurezas producidas al cocinar, la parte inferior de la campana deberá estar a un mínimo de 24" y un máximo de 30" sobre el nivel la superficie para cocinar.
5. A fin de reducir los riesgos de incendio y para bien evacuar el aire de salida, asegúrese de evacuar el aire al exterior - No evacue el aire en espacios limitados como el interior de la paredes o del techo e en el desván, falso techo o garaje.
6. Este producto está equipado de un termostato que puede hacer partir el ventilador automáticamente. Para evitar los riesgos de daño, apague la corriente de panel eléctrico y cierre con candado o afiche una advertencia en el panel para prevenir que la campana funcione automáticamente.
7. A causa de la gran capacidad de evacuación de esta campana, usted debe asegurarse que suficiente aire entre en la casa para reemplazar el aire evacuado abriendo una ventana a el interior o cerca de la cocina por ejemplo.
8. Utilice sólo con un conjunto autorizado de conexión con cordón.
9. Por favor, lea la etiqueta de especificaciones en el producto para mayor información y requisito.



## OPERACIÓN

Siempre hacer funcionar la campana antes de comenzar a cocinar a fin de establecer una circulación de aire en la cocina. Deje igualmente funcionar la campana algunos minutos después de que pare de cocinar a fin de limpiar el aire. Esto ayuda a conservar la cocina mas limpia y un aire puro.



HC0005

1. Interruptores de lámparas termogénas
2. Luces halógenas
3. Interruptor de luces halógenas
4. Interruptor de encender/apagar del ventilador
5. Control de velocidad del ventilador

**Lámparas termogénas:** Cada lámpara es controlada independientemente con su propio interruptor. Utilice las bombillas infrarrojas (120V, IR175W, PAR38, Sears #57872)



**ADVERTENCIA: No dejar materias inflamables en los estantes que calientan.**

**Luces halógenas:** Los dos interruptores de encender/apagar controlan las luces halógenas.

El interruptore a báscula antes, controla la luz del centro. El interruptor detrás controla las luces de cada lado (cada interruptor controla la luz para las campanas de 30" y 36"). Encienda una, dos o tres luces según su necesidad.

Utilice las bombillas de halógenas PAR 20, 50W (comprar separadamente; Sears #57853).

**Ventilador:** El ventilador funciona con la ayuda de dos controles.

Utilice el interruptor endender/apagar tiene una luz roja para encender y apagar el ventilador. Cuando está en tensión, el ventilador funciona a la velocidad utilizada la última vez.

Utilice el control de velocidad del ventilador girando en el sentido de las agujas del reloj para disminuir la velocidad y en el sentido contrario de las agujas del reloj para aumentar la velocidad.

### HEAT SENTRY™

Su campana esta equipada con HEAT SENTRY™. Este termostato tiene un mecanismo que se encenderá o acelerará el ventilador si se detecta un calor excesivo encima de la cocina.

- 1) Si el ventilador esta apagado - el se penderá a una velocidad máxima.
- 2) Si el ventilador esta encendido a una velocidad mínima - el se penderá a una velocidad máxima.

Cuando la temperatura disminuye a un nivel normal, el ventilador vuelve a la función de origen.



**ADVERTENCIA: El HEAT SENTRY™ termostato puede comenzar a funcionar al igual si la campana esta parada. Cuando este situación ocurre, es imposible parar el ventilador con los interruptores. Si usted para la campana, halago a partir del p nel el ctrico principal.**

## LIMPIEZA

### Filtros para grasa

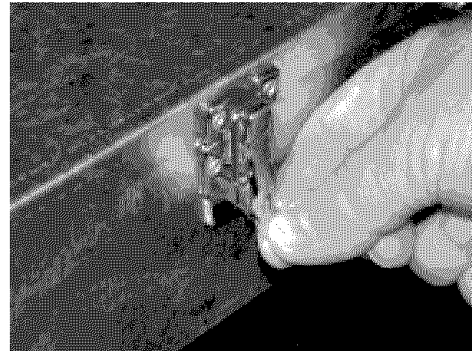
Limpie frecuentemente los filtros con agua caliente y un detergente suave.

Limpie m s seguido si su comida crea mucho grasa - como fritura o preparar la comida con wok.

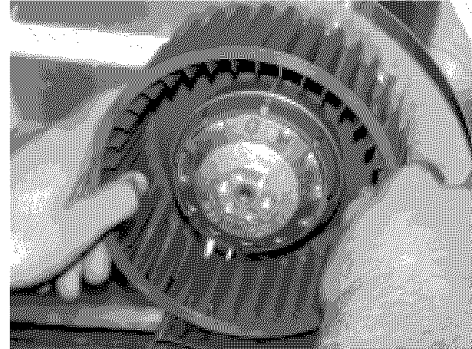
Empuje los filtros hacia el interior de la campana y leberelos del canal para que en seguida los retire de la campana.

### Rueda(s) del ventilador

La (s) rueda(s) del ventilador se pueden lavar en el lavaplatos. Quitar los filtros para grasa a fin de que tener acceso al la(s) rueda(s) del ventilador. Para sacar las ruedas del ventilador, usted debe retirar la tapa del ventilador con la ayuda de las amarras de cada lado. Luego, retire la(s) rueda(s) tir ndola delicadamente (ver fotos de abajo).



HD0021



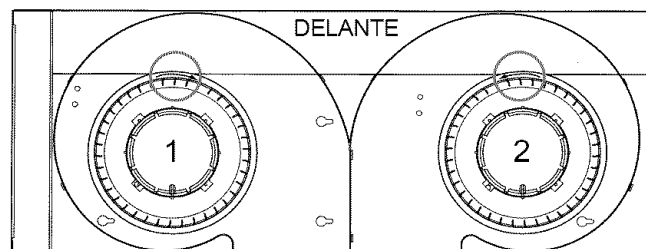
HD0022

La(s) rueda(s) posee un atadero en su centro, asegurese que la rueda entre en uno de los ojos del motor (usted sentir  cuando entrar  en su lugar). Reinstale la o las rueda(s) del ventilador en su posici n y la tapa.



**PRECAUCI N: Para el ventilador doble, aseg rese que las ruedas sean bien reemplazadas; la campana no funcionar  normalmente si est  al r ves.**

Las dos ruedas del ventilador son diferentes en el caso de un ventilador doble, una debe girar en el sentido de las agujas del reloj y la otra en el sentido de las agujas contrario del reloj. Cada rueda y motor tiene una flecha y un n mero, usted debe juntarlos correctamente (ver dibujo abajo).



HD0023

Garant a

Seguridad

Operaci n

Limpieza

Instalaci n

Piezas de servicio

## LIMPIEZA

### Limpieza de la campana

Acero inoxidable: Como mantener una "aparencia brillante"

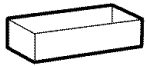
#### Lo que debe hacer:

- Lavar regularmente la superficie con un trapo o un paño empapado de agua tibia y de jabón suave o detergente a vajilla.
- Siempre limpie en el sentido de las líneas originales de pulimento.
- Siempre enjuague bien con agua limpia (2 a 3 veces) después de haber limpiado seque completamente la superficie.
- Usted puede utilizar un limpiador doméstico hecho especialmente para el acero inoxidable.

#### Lo que no debe hacer:

- No utilice ninguna lana de acero o de acero inoxidable o todo otro raspador para quitar la suciedad tenaz.
- No utilice ningún limpiador en polvo abrasivo o riguroso.
- No deje la suciedad acumularse.
- No deje el polvo de yeso o todo otro residuo de construcción que caiga en la campana, cúbrala durante el trabajo para asegurarse que en ningún caso el polvo se pegue a la superficie del acero.

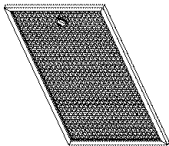
## PIEZAS INCLUIDAS



Adaptador y compuerta



Desviador



Filtros para grasa  
(3 para campana de 30" y 36"  
4 para campana de 42" y 48" )



Bolsa de piezas  
(1 alambre eléctrico, 2 conectados de cable, 2 tornillos 1/2" estándar, 8 tornillos 1/2" doble hilillo)

## LIMPIEZA

### A evitar cuando elige un detergente:

- Todos los productos de limpieza que contienen **agentes de blanqueo**; van a deteriorar el acero inoxidable.
- Todos los productos que contienen **cloruro, fluoruro, yoduro o bromuro**; estos deteriorans rápidamente las superficies.
- Todos los productos combustible utilizados para la limpieza: **acetona, alcohol, éter, benzol, etc...**; son extremamente explosivos y no deben ser utilizados cerca de una cocina.

### Superficies pintada:

Limpie con agua caliente agregue solamente un detergente suave. Si hay decoloración, utilice una buena ccera a pintura como una cera auto (NO UTILICE un limpiador casero rugoroso o un limpiador a porcelana).

## PIEZAS NO INCLUIDAS



Bombillas  
**PAR 20 50W**  
(2 para campana de 30" y 36" de largo,  
3 para campana de 42" y 48" de largo)  
Sears Pieza No. 57853

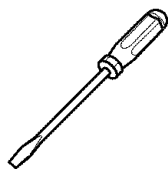


Lámpara termogéna  
**IR 175W, PAR 38**  
(2 para campana)  
Sears Pieza No. 57852

### Accesorios de conducto

(Vea "Sistema de campana 57000 Series" en la página 19 para vea los números de modelo de accesorio de conducto.

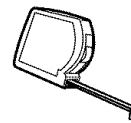
## HERRAMIENTAS NECESARIAS



Detornillador  
(Robertson o Phillips)



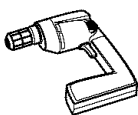
Lápiz



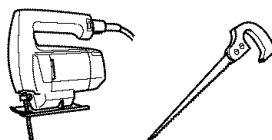
Cinta métrica



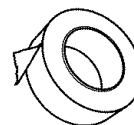
Martillo



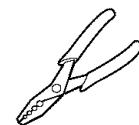
Perforadora



Sierra de vaivén - o - Segueta

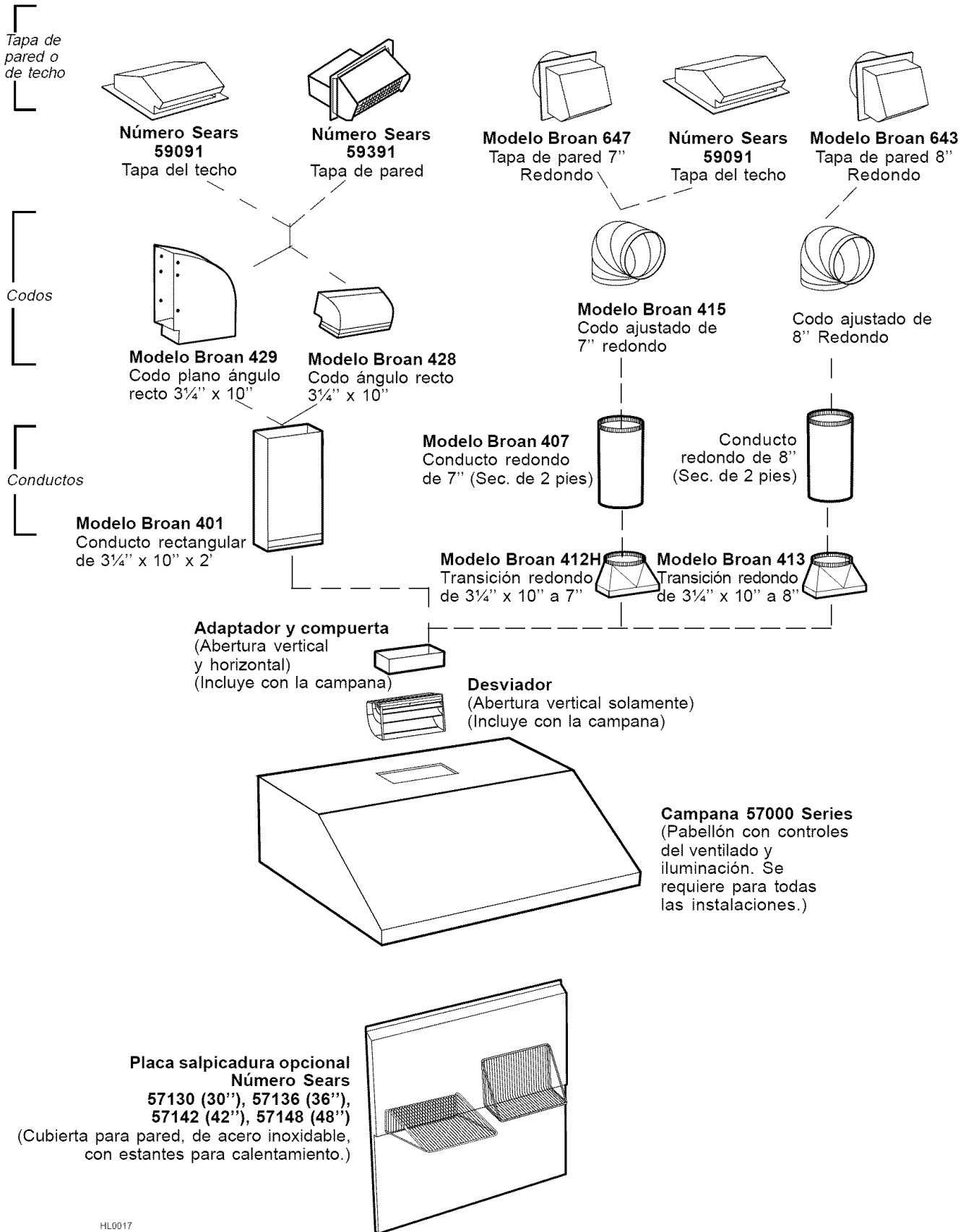


Cinta adhesiva a conducto



Herramienta para quitar la funda

# SISTEMA DE LA CAMPANA 57000 SERIES



Garantía

Seguridad

Operación

Limpieza

Instalación

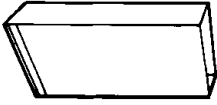




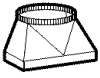
Piezas de servicio



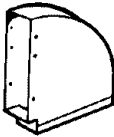
HL0017

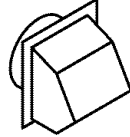
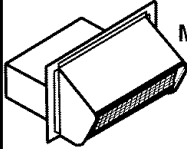
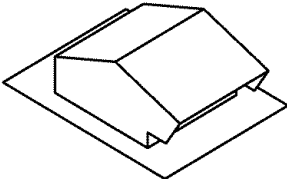
**NÚMERO SEARS** son disponibles por su local tienda Sears, en línea en Sears.com, o por Piezas Sears al 1-800-366-7278. Por la disponibilidad de los modelos de Broan, llamar al 1-800-558-1711 por favor.

## CUADRO DE EQUIVALENCIA DE LARGO DE CONDUCTO

Las campanas Kenmore son hecho para cumplir un buen rendimiento cuando son junta a conducto largo. Como referencia, este campana funciona aproximadamente con 80% de su prestaciones de aspiración cuando una equivalencia de 75 pies de conducto redondo de 7" este junto. Empleo este cuadro para calcular la equivalencia de largo de conducto para su sistema.

	<p><b>Modelo Broan 401</b>  <b>Conducto rectangular</b>            3¼ pul. x 10 pul. x 2 pies de largo            Equivalente largo  <b>2 pies</b></p>
	<p><b>Modelo Broan 407</b>  <b>Recto conducto</b>            7 pul. redondo x 2 pies de largo            Equivalente largo  <b>2 pies</b></p>
	<p><b>Recto conducto</b>            8 pul. redondo x 2 pies de largo            Equivalente largo  <b>2 pies</b></p>
	<p><b>Modelo Broan 415</b>  <b>Codo redondo de 7 pul.</b>            Equivalente largo  <b>8 pies</b></p>
	<p><b>Codo redondo de 8 pul.</b>            Equivalente largo  <b>8 pies</b></p>
	<p><b>Modelo Broan 412</b>            3¼ pul. x 10 pul. a 7 pul. Redondo -  <b>Vertical transición</b>            Equivalente largo  <b>8 pies</b></p>

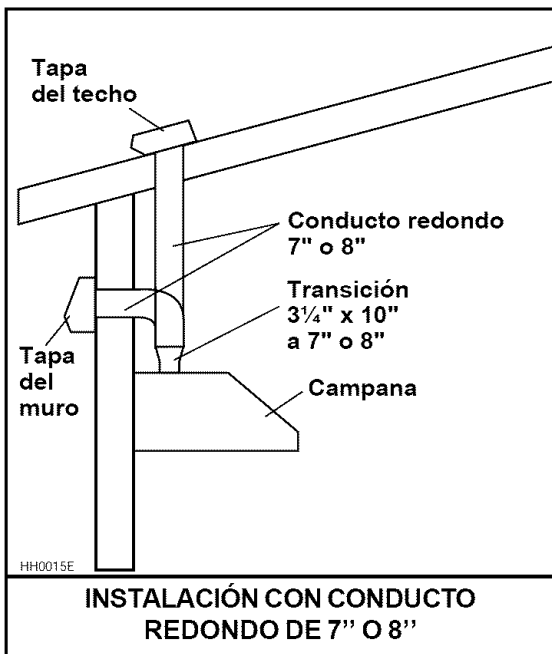
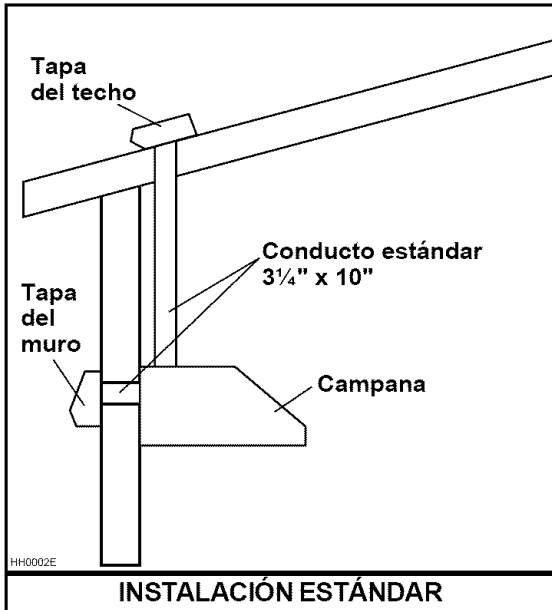
	<p><b>Modelo Broan 413</b>            3¼ pul. x 10 pul. a 8 pul. Redondo -  <b>Vertical transición</b>            Equivalente largo  <b>8 pies</b></p>
	<p><b>Modelo Broan 428</b>            3¼ pul. x 10 pul.  <b>Codo ángulo recto</b>            Equivalente largo  <b>8,5 pies</b></p>
	<p><b>Modelo Broan 429</b>            3¼ pul. x 10 pul.  <b>Codo plano ángulo recto</b>            Equivalente largo  <b>24 pies</b></p>

	<p><b>Modelo Broan 647</b>  <b>Tapa de pared redondo de 7 pul.</b>            Equivalente largo  <b>34 pies</b>            (15 pies sin compuerta de tira)</p>
	<p><b>Modelo Sears 59391</b>  <b>Tapa del techo</b>            3¼ pul. x 10 pul.            Equivalente largo  <b>45 pies</b>            (7 pies sin compuerta de tira)</p>
	<p><b>Modelo Sears 59091</b>  <b>Tapa del techo</b>            (acepta 7 pul. redondo o 3¼ pul. x 10 pul. conducto)            Equivalente largo  <b>30 pies</b>            (7 pies sin compuerta de tira)</p>

**NÚMERO SEARS** son disponibles por su local tienda Sears, en línea en [Sears.com](http://Sears.com), o por Piezas Sears al 1-800-366-7278. Por la disponibilidad de los modelos de Broan, llamar al 1-800-558-1711 por favor.

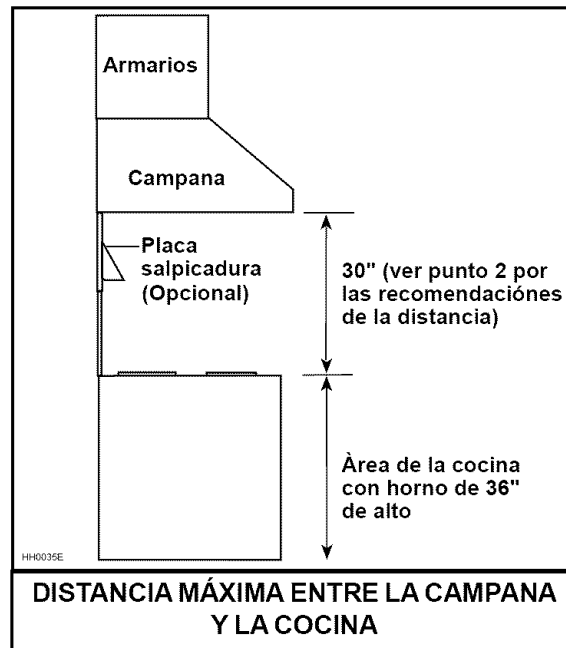
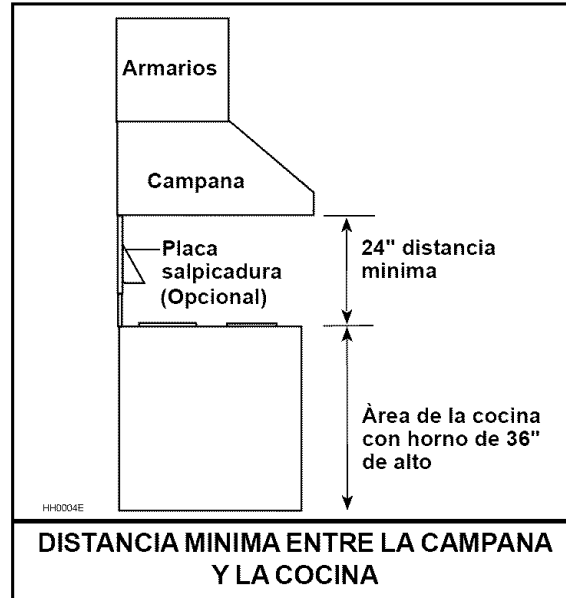
# PREPARE LA LOCALIZACIÓN PARA LA CAMPANA

1. Planifique dónde y como se van a colocar los conductos. Instale los conductos, transiciones, codos y remate de pared o de techo de tamaño adecuado. Utilizar un mínimo de transición y codos por obtener el mejor resultados. Utilizar cinta adhesiva a conducto de 2" de largo para asegurarse estanquidad de las coyunturas.



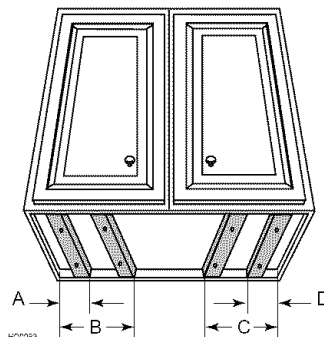
2. A continuación se muestran las dimensiones para las instalaciones más comunes.

La distancia mínima de la parte inferior de la campana deberá estar no menos que 24" sobre el nivel de la cocina. Una distancia máxima de 30" entre la parte inferior de la campana y el nivel de la cocina esta sumamente recomendada para lograr un funcionamiento adecuado. Distancia mas alta que 30" es según la voluntad del instalador y de los usuarios.



NOTA: Si el fondo del armario está empotrado, fije los listones de madera (no incuados) en cada lados tal como ilustrado al lado. Servirse de dos (2) listones de 1" de anchura para campana de 30" de anchura, y de cuatro (4) listones de 1" de anchura para campana más ancha, de largo apropiado. Vea abajo por el lugar de los listones.

ANCHURA DE CAMPANA	LUGAR			
	A	B	C	D
30"	1 1/2"	N/A	N/A	1 1/2"
36"	1 1/2"	2 3/4"	5"	1 1/2"
42"	1 1/2"	5 1/2"	8"	1 1/2"
48"	1 1/2"	8 1/2"	11"	4"

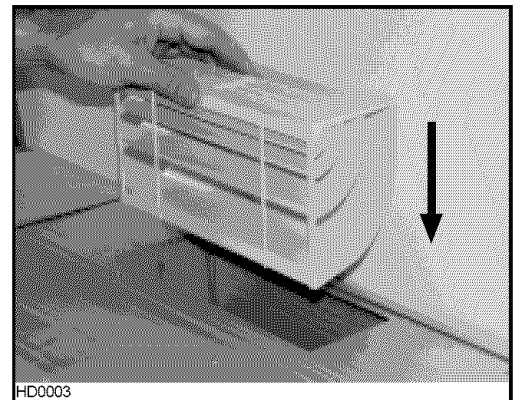
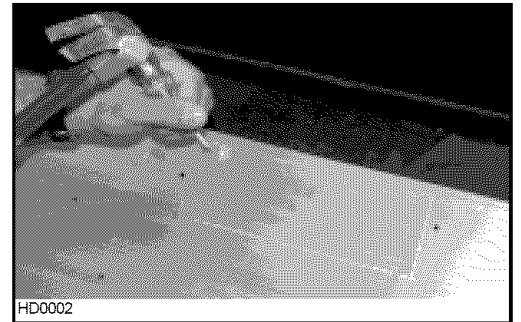


## PREPARE LA CAMPANA

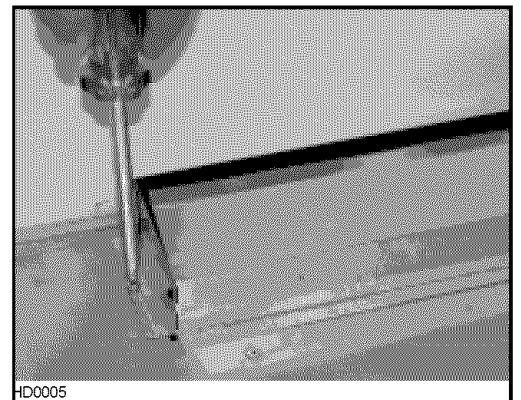
### OPCIÓN

Una placa para salpicaduras es disponible (refiérase en página 19 para más información). Este placa para salpicaduras se debe instalar antes que la campana debico a que este cubre los tornillos de montaje de la placa para salpicaduras. Cuando el panel de control de la cocina es más alto que encima de la cocina, asegúrese de tener 18" (457 mm) entre debajo de la campana y el panel de control de la cocina. (Vea las instrucciones incluidas con la placa para salpicaduras.)

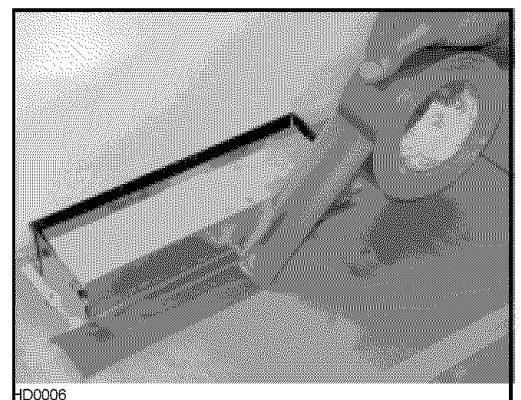
1. Rompa la abertura eligida (horizontal o vertical) detrás o encima de la campana de salida de aire y para la conexión eléctrica. **USTED DEBE** también instalar el **Desviador** si usted elige la abertura vertical. Vea los fotos.



2. Utilizando los dos **tornillos 2 1/2"**, instale el **Adaptador** encima o detrás de la campana.

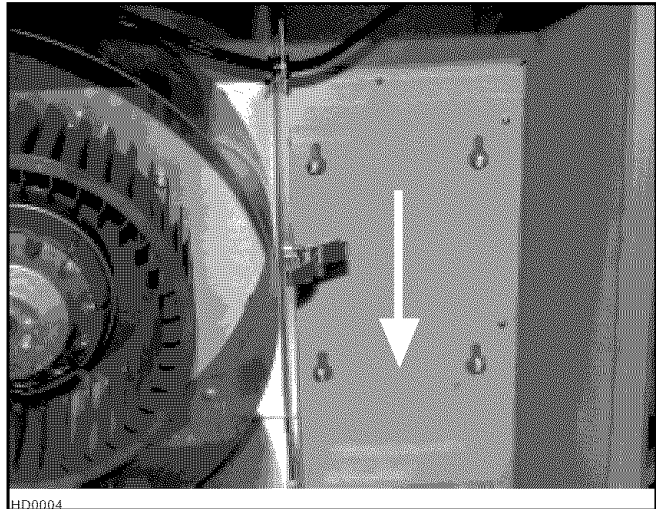


3. Luego selle el **Adaptador** con la ayuda de una cinta adhesiva a conducto.



## INSTALE LA CAMPANA

1. Pase la alimentación eléctrica hasta el lugar de la instalación de la campana. Coloque la campana en su posición. Con la ayuda de un lápiz, marque la posición de los tornillos (pequeña parte del hoyo en forma de pera). Retire la campana y instale los (8) **tornillos de 1/2" doble hilillo** dejando un espacio de 1/8" (4 tornillos para la campana de 30"). Saque la tapa de la caja eléctrica y poner a un lado. Inserte el alambre eléctrico. Pase el cable eléctrico en la campana y apriete el tornillo del alambre eléctrico en la entrada de la campana para mantener los cables en su posición. Coloque la campana debajo del armario (los tornillos pasan a través de la parte grande de los hoyos) y deslice la campana en su posición. Asegúrese que adaptador entre en el conducto. Atornille completamente los tornillos para que la campana se mantenga en su posición.



Garantía

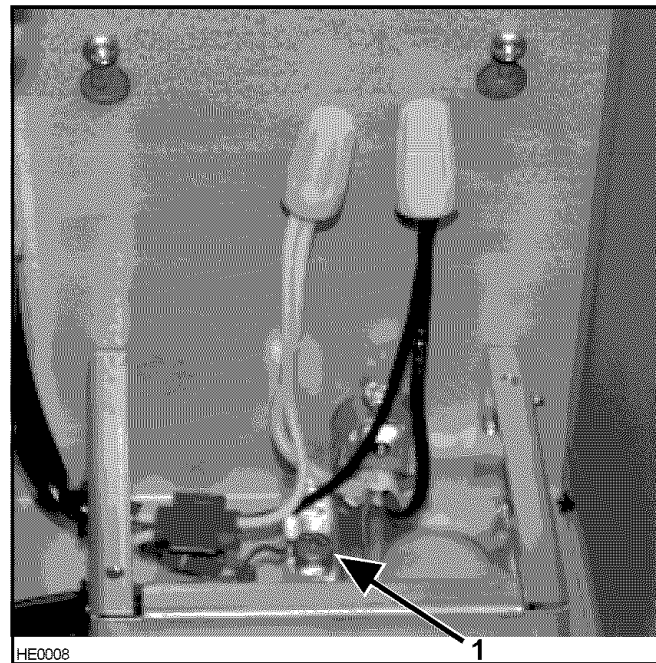
Seguridad

## CONECTE EL CABLEADO



**ADVERTENCIA:** Peligro de choque eléctrico. La instalación eléctrica debe ser hecha por personal calificado de acuerdo con todos los códigos aplicables y normas. Antes de efectuar el empalme, cortar la alimentación eléctrica del interruptor y cerrar con seguridad para prevenir una alimentación accidental.

1. Conecte los cables a la caja eléctrica utilizando los conectores de cables. Conecte el cable NEGRO al NEGRO, BLANCO al BLANCO y el VERDE a el tornillo que toma de tierra. Reemplace la tapa. **JÁMAS DEBE OLVIDARSE DE CONECTAR LA TOMA DE TIERRA.**



1) Tornillo que toma de tierra

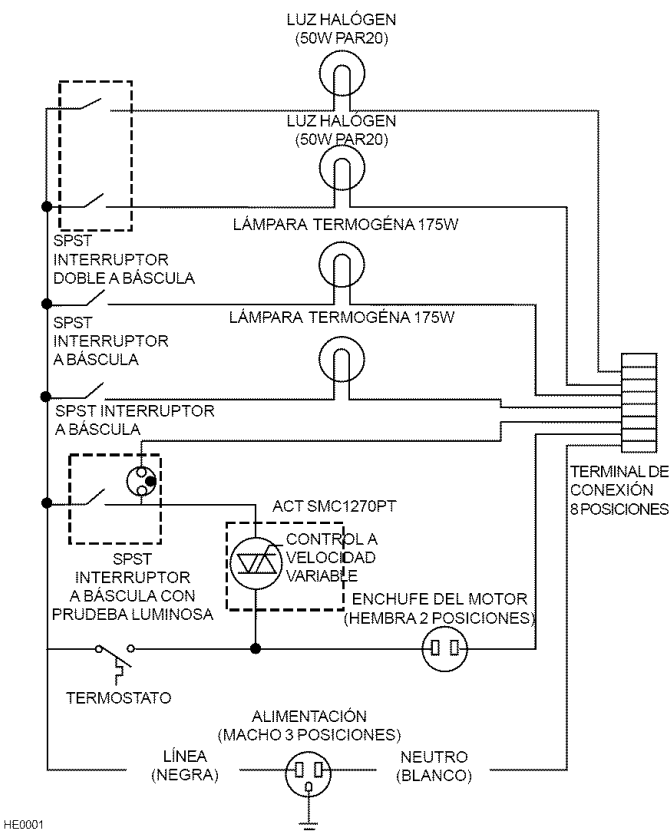
Operación

Limpieza

Instalación

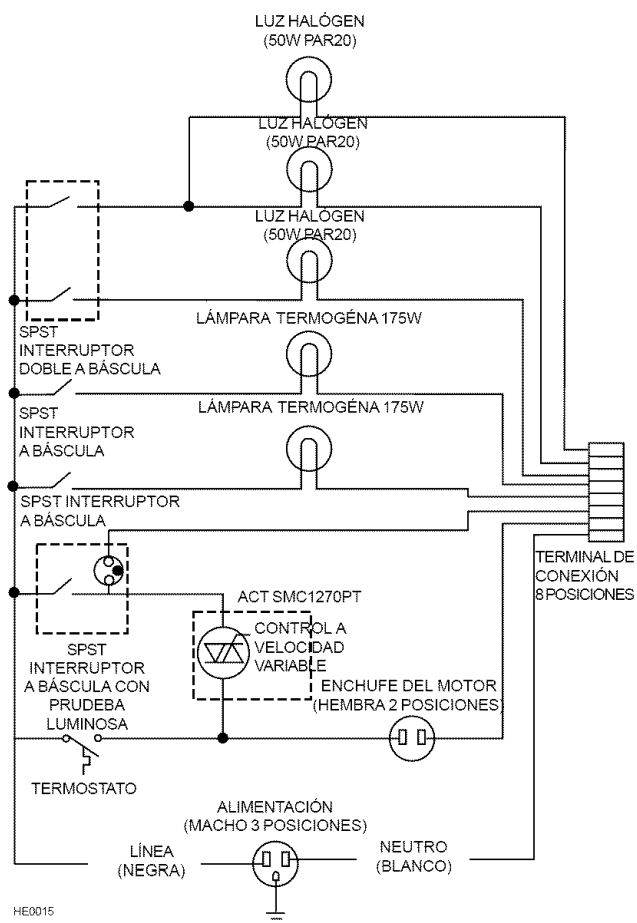
Piezas de servicio

## ESQUEMA ELÉCTRICO



HE0001

30" Y 36"



HE0015

42" Y 48"

## TERMINAR LA INSTALACIÓN

1. Instale (2) bombillas termógenas. Usar bombillas 120V, IR 175W, PAR38, infrarroja solamente (no incluido). Según la largo de la campana, instale (2) o (3) bombillas halógenas. Usar bombillas de tamaño PAR20 50W (no incluido).

Refierse a la página 18 para información sobre pedido.



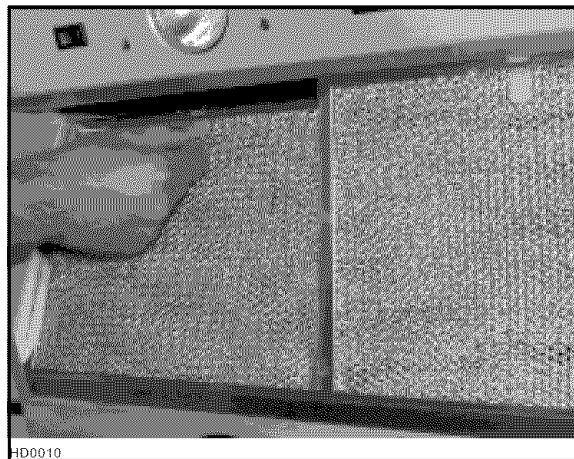
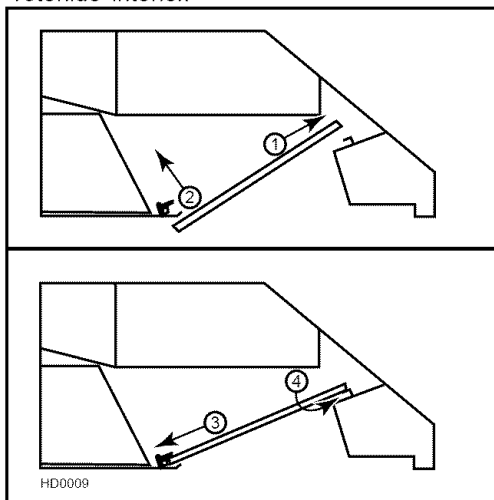
# INSTALE LOS FILTROS

## Instalación de filtros de eslabón (modelos: 57800, 57810, 57805, 57815, 57809 y 57819)

Es recomendable de instalar los filtros de lado en primer y de terminar con el o los filtro(s) del centro.

Instale lo siguiente:

- 1) Insertar la parte superior del filtro en la campana (al lado de la lengüeta).
- 2) Acer girar la parte inferior hacia el interior de la campana.
- 3) Instale el filtro debajo el ataredo y tire.
- 4) Empleando la lengüeta, resbale el filtro debajo la pieza de retenido interior.



Filtros de sustitución son disponibles.  
Refierse a la página 26 para información sobre pedido.

## Instalación de filtros de zig zag (modelos: 57820, 57830, 57840, 57825, 57835, 57845, 57829, 57839 y 57849 solamente)

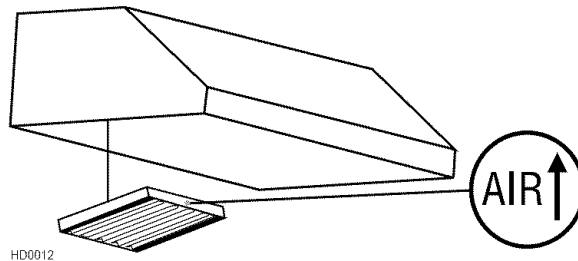
**PRECAUCIÓN:** Antes de la instalación, sacar las películas de plástico sobre los filtros.

Es recomendable de instalar los filtros de lado en primer y de terminar con el o los filtro(s) del centro.

Instale lo siguiente:

Una flecha vertical acompañada de la palabra AIR aparacen en el borde del filtro. Asegúrese de instalar siguiente manera: que la punta de la flecha sea hacia el interior de la campana.

Asegúrese que los filtros esten colocados tal como se muestra para que la grasa pueda fácilmente llegar a el canal.



Garantía

Seguridad

Operación

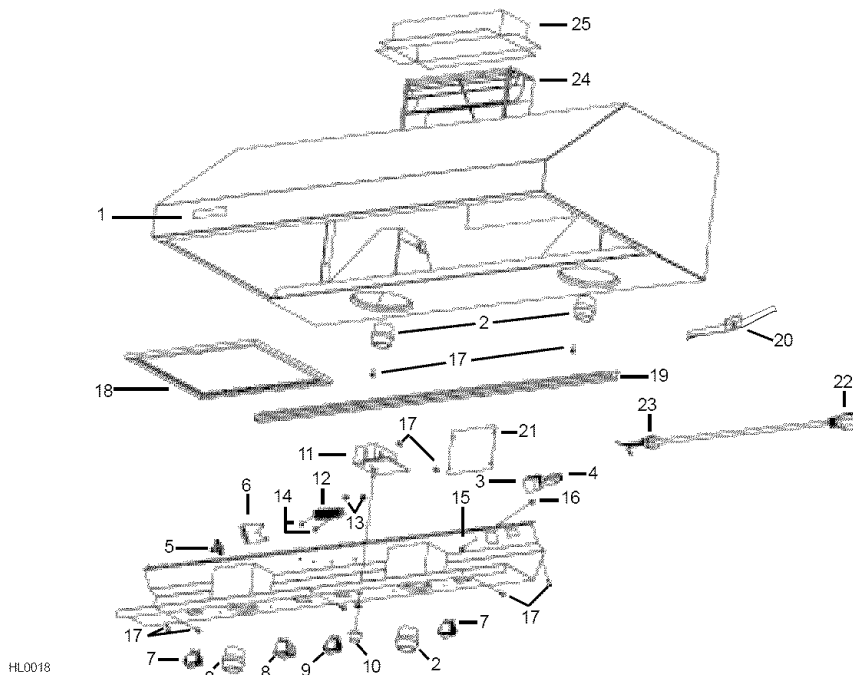
Limpieza

Instalación

Piezas de servicio

# PIEZAS DE SERVICIO

## CAMPANA DE COCINA



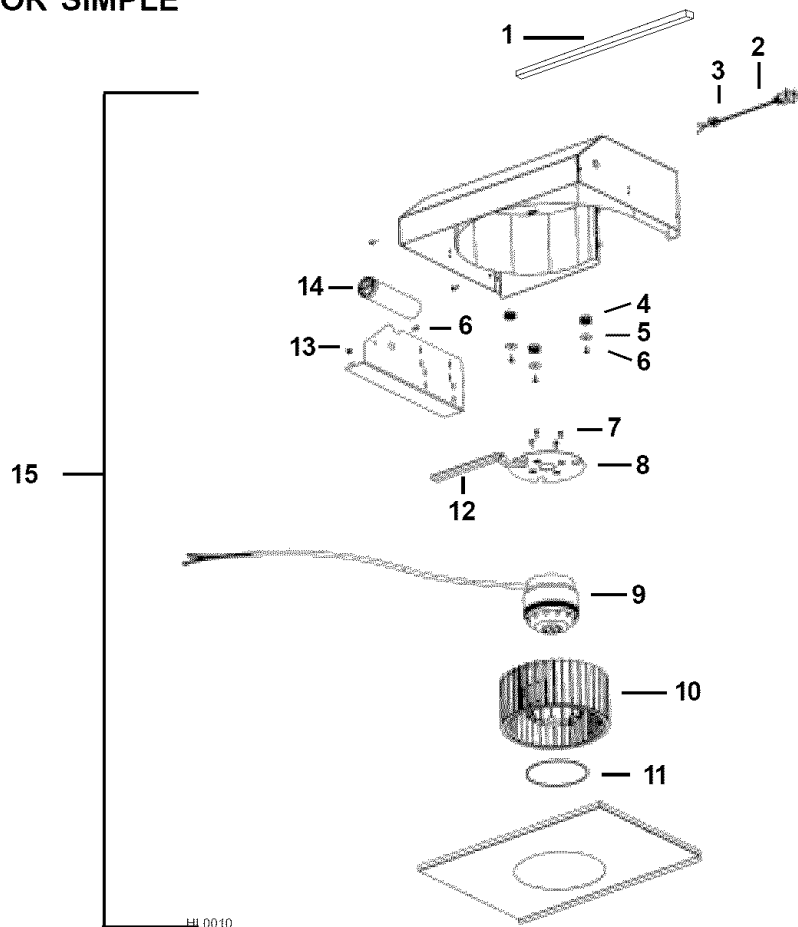
CLAVE NO.	PIEZA NO.	DESCRIPCIÓN	CTD (largo de la campana)			
			30"	36"	42"	48"
1	V03657	Logotipo Kenmore	1	1	1	1
2	V02264	Casquete de porcelana	4	4	4	4
3	V02773	Conector macho por motor	1	1	1	1
4	V02772	Conector hembra por motor	1	1	1	1
5	V03435	Termostato	1	1	1	1
6	V03436	Soporte por termostato	1	1	1	1
7	V02563	Interruptor simple SPST para lámpara termogéna	2	2	2	2
8	V03502	Interruptor doble SPST para lámpara halógena	1	1	1	1
9	V03503	Interruptor simple iluminado SPST para ventilador	1	1	1	1
10	V03504	Botón control de velocidad	1	1	1	1
11	V03501	Control de velocidad	1	1	1	1
12	V03505	Terminal de conexión	1	1	1	1
**	V03517	Cable de alimentación	1	1	1	1
**	V03518	Cable de lámpara termogéna	1	1	1	1
**	V03519	Cable de control	1	1	1	1
**	V03520	Cable interruptor iluminado	1	1	1	1
**	V03689	Tornillo #10-32 x 3/8", T/F, Verde	1	1	1	1
13	V00673	Contratuercas 8-32	2	2	2	2
14	V02512	Tornillo 8-32 x 1/2 Quadrex	2	2	2	2
15	V01869	Tornillo mecánico 6-32 x 1/4 Pan Quadrex	1	1	1	1
16	V01582	Contratuercas 6-32	1	1	1	1
17	V00606	Tornillo #8 -3/8" T/B, cabeza #8	7	7	8	8
18	V03509	Filtro 8.930" x 9.8000"	2	-	-	-
	V03510	Filtro 11.930" x 9.8000"	1	3	-	-
	V13429	Filtro zig zag 8.930" x 9.8000"	-	-	2	-
	V13430	Filtro zig zag 11.930" x 9.8000" (salvo los modelos 5781X)	-	3	2	4
19	V13216	Canal 30"	1	-	-	-
	V13217	Canal 36"	-	1	-	-
	V13218	Canal 42"	-	-	1	-
	V13219	Canal 48"	-	-	-	1
20	V03686	Grapa filtros	3	3	4	4
21	V13230	Puerta conexión eléctrica	1	1	1	1
22	V03496	Cable alimentación 120V	1	1	1	1
23	V00660	Apago de tracción cable ventilador	1	1	1	1
24	V03500	Desviador	1	1	1	1
25	V13296	Adaptador y compuerta	1	1	1	1
**	V02544	Lámpara halógena	2	2	3	3
**	V03598	Lámpara termogéna	2	2	2	2
**	V03654	Manual de instalación	1	1	1	1
**	V13279	Bolsa de instalación (alambre eléctrico (1), Tornillos #6 x 1/2" (2), conector de cable (2), tornillo doble hilillo 6-12 x 1/2" (8))	1	1	1	1

Pida piezas de repuesto dando como referencia el No. DE PIEZA - no el No. DE CLAVE.

\*\* No se muestra.

# PIEZAS DE SERVICIO

## VENTILADOR SIMPLE



CLAVE NO.	PIEZA NO.	DESCRIPCIÓN	CTD (largo de la campana)	
			30"	36"
1	V03577	Espuma 1/2" x 1/2" x 12"	1	1
2	V03494	Cable alimentación ventilador 36"	1	1
3	V00660	Apago de tracción del cable de ventilador	1	1
4	V02001	Ojete motor G-431-1	1	1
5	V00871	Arandella 3/16" DI x 3/4" DE	3	3
6	V01869	Tornillo mecánico 6-32 x 1/4 (tipo pan) Quadrex	4	4
7	V01927	Tornillo métrico M4 x 6mm (tipo pan) Quadrex	4	4
8	V11705	Soporte del motor	1	1
9	V01766	Motor 165W CW	1	1
10	V03400	Rueda 7.094" x 3.375" CW	1	1
11	V01810	Anillo de la rueda	1	1
12	V01857	Cubre-cable	1	1
**	V01831	Abrazadera 8"	2	2
13	V01582	Contratuercas 6-32	1	1
**	V11614	Cable #18 Tew, marrón x 10"	1	1
14	V02160	Condensador 15 µF	1	1
15	V14973	Montaje de ventilador simple	1	1

Pida piezas de repuesto dando como referencia el No. DE PIEZA - no el No. DE CLAVE.

\*\* No se muestra.

Garantía

Seguridad

Operación

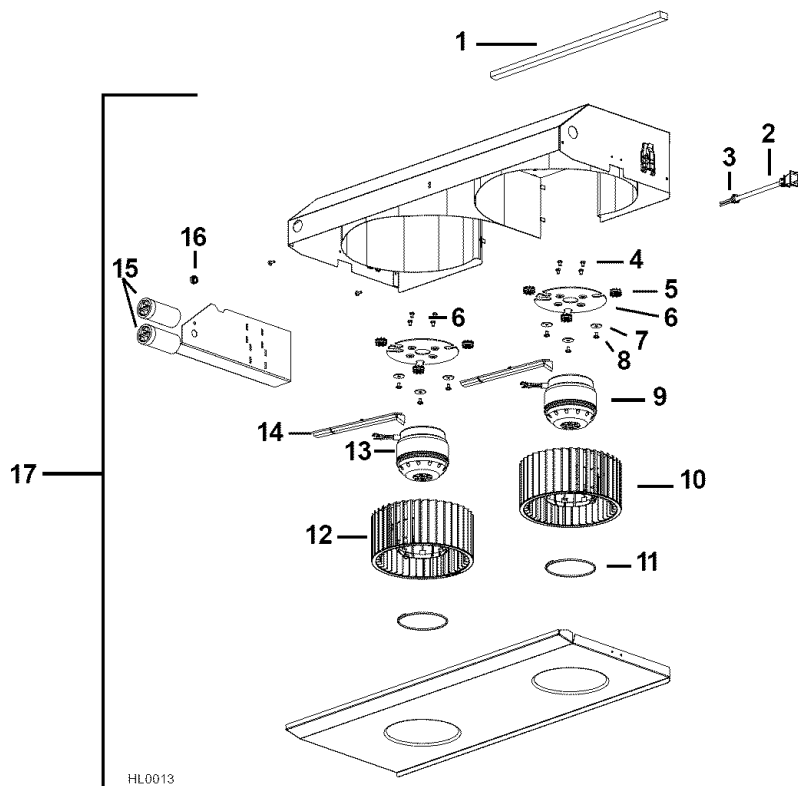
Limpieza

Instalación

Piezas de servicio

# PIEZAS DE SERVICIO

## VENTILADOR DOBLE



CLAVE NO.	PIEZA NO.	DESCRIPCIÓN	CTD (largo de la campana)		
			36"	42"	48"
1	V03577	Espuma 1/2" x 1/2" x 12"	1	1	1
2	V03494	Cable alimentación del ventilador 36"	1	1	1
3	V00660	Apago de tracción del cable del ventilador	1	1	1
4	V01927	Tornillo métrico M4 x 6mm (tipo pan) Quadrex	8	8	8
5	V02001	Ojete del motor G-431-1	6	6	6
6	V11705	Soporte del motor	2	2	2
7	V00871	Arandella 3/16" DI x 3/4" DE	6	6	6
8	V01869	Tornillo mecánico 6-32 x 1/4 Pan Quadrex	7	7	7
9	V03457	Motor 165W CCW	1	1	1
10	V03399	Rueda 7.094" x 3.375" CCW	1	1	1
11	V01810	Anillo de la rueda	2	2	2
12	V03400	Rueda 7.094" x 3.375" CW	1	1	1
13	V01766	Motor 165W CW	1	1	1
14	V01857	Cubre-cable	2	2	2
**	V01831	Abrazadera 8"	4	4	4
15	V02160	Condensador 15 µF	2	2	2
**	V11614	Cable #18 Tew marrón x 10"	2	2	2
16	V01582	Contratuercas 6-32	1	1	1
17	V03494	Montaje de ventilador doble	1	1	1

Pida piezas de repuesto dando como referencia el No. DE PIEZA- no el No. DE CLAVE.

\*\* No se muestra.

