

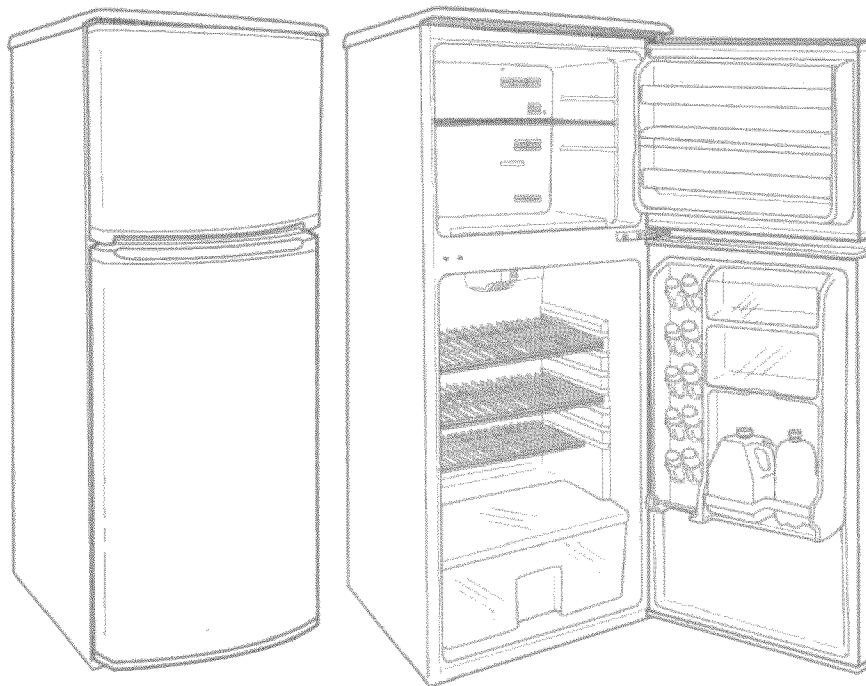


REFRIGERATOR-FREEZER

Use & Care Guide

Model 461.62402

- Warranty
- Master Protection Agreement
- Important Safeguards
- Installation Instructions
- Features
- Care and Maintenance
- Troubleshooting



ENGLISH

WARRANTY

Kenmore Limited Warranty

When installed, operated and maintained according to all instructions supplied with the product, if this appliance fails due to a defect in material and workmanship within one year from the date of purchase, call 1-800-4-MY-HOME® to arrange for free repair.

If this appliance is ever used for other than private family purposes, this warranty applies for only 90 days from the date of purchase.

This warranty covers only defects in material and workmanship. Sears will NOT pay for:

1. Expendable items that can wear out from normal use, including but not limited to filters, belts, light bulbs, and bags.
2. A service technician to instruct the user in correct product installation, operation or maintenance.
3. A service technician to clean or maintain this product.
4. Damage to or failure of this product if it is not installed, operated or maintained according to the all instructions supplied with the product.
5. Damage to or failure of this product resulting from accident, abuse, misuse or use for other than its intended purpose.
6. Damage to or failure of this product caused by the use of detergents, cleaners, chemicals or utensils other than those recommended in all instructions supplied with the product.
7. Damage to or failure of parts or systems resulting from unauthorized modifications made to this product.

Disclaimer of implied warranties; limitation of remedies

Customer's sole and exclusive remedy under this limited warranty shall be product repair as provided herein. Implied warranties, including warranties of merchantability or fitness for a particular purpose, are limited to one year or the shortest period allowed by law. Sears shall not be liable for incidental or consequential damages. Some states and provinces do not allow the exclusion or limitation of incidental or consequential damages, or limitation on the duration of implied warranties of merchantability or fitness, so these exclusions or limitations may not apply to you.

This warranty applies only while this appliance is used in the United States or Canada.

This warranty gives you specific legal rights, and you may also have other rights which vary from state to state.

Sears, Roebuck and Co., Hoffman Estates, IL 60179
Sears Canada Inc., Toronto, Ontario, Canada M5B 2B8

Master Protection Agreements

Congratulations on making a smart purchase. Your new Kenmore® product is designed and manufactured for years of dependable operation. But like all products, it may require preventive maintenance or repair from time to time. That's when having a Master Protection Agreement can save you money and aggravation.

The Master Protection Agreement also helps extend the life of your new product. Here's what the Agreement* includes:

- Parts and labor** needed to help keep products operating properly **under normal use**, not just defects. Our coverage goes **well beyond the product warranty**. No deductibles, no functional failure excluded from coverage— **real protection**.
- Expert service** by a force of more than **10,000 authorized Sears service technicians**, which means someone you can trust will be working on your product.
- Unlimited service calls and nationwide service**, as often as you want us, whenever you want us.
- "No-lemon" guarantee** – replacement of your covered product if four or more product failures occur within twelve months.
- Product replacement** if your covered product can't be fixed.
- Annual Preventive Maintenance Check** at your request – no extra charge.
- Fast help by phone** – we call it **Rapid Resolution** – phone support from a Sears representative on all products. Think of us as a "talking owner's manual."
- Power surge protection** against electrical damage due to power fluctuations.
- \$250 Food Loss Protection** annually for any food spoilage that is the result of mechanical failure of any covered refrigerator or freezer.
- Rental reimbursement** if repair of your covered product takes longer than promised.
- 10% discount** off the regular price of any non-covered repair service and related installed parts.

Once you purchase the Agreement, a simple phone call is all that it takes for you to schedule service. You can call anytime day or night, or schedule a service appointment online.

The Master Protection Agreement is a risk free purchase. If you cancel for any reason during the product warranty period, we will provide a full refund. Or, a prorated refund anytime after the product warranty period expires. Purchase your Master Protection Agreement today!

Some limitations and exclusions apply. For prices and additional information in the U.S.A. call 1-800-827-6655.

*** Coverage in Canada varies on some items. For full details call Sears Canada at 1-800-361-6665.**

Sears Installation Service

For Sears professional installation of home appliances, garage door openers, water heaters, and other major home items, in the U.S.A. or Canada call **1-800-4-MY-HOME®**.

IMPORTANT SAFEGUARDS

ELECTRICAL REQUIREMENTS

This appliance must be grounded. In the event of an electrical short circuit, grounding reduces the risk of electrical shock by providing an escape wire for the electrical current.

This appliance is equipped with a cord having a grounding wire with a grounding plug. The plug must be plugged into an outlet that is properly installed and grounded.

IMPORTANT WARNING

An empty refrigerator can pose a threat to children. To render the unit harmless we strongly recommend removing the door prior to disposal.

WARNING - Improper use of the grounding plug can result in a risk of electric shock. Consult a qualified electrician or serviceman if the grounding instructions are not completely understood, or if doubt exists as to whether the appliance is properly grounded.

DO NOT USE AN EXTENSION CORD

Use an exclusive wall outlet. Do not connect your refrigerator to extension cords or together with any other appliance in the same wall outlet.

DANGER: Risk of child entrapment. Before you throw away your old refrigerator or freezer:

- Take off the doors.
- Leave the shelves in place so that children may not easily climb inside.

DON'T WAIT! DO IT NOW!

SAVE THESE INSTRUCTIONS!

INSTALLATION INSTRUCTIONS

Remove exterior and interior packings, wipe the outside thoroughly with a soft dry cloth and the inside with a wet, lukewarm cloth. Avoid placing the unit in a narrow recess or near any heat source, direct sunlight, or moisture. Let air circulate freely around the unit. Keep the rear of the refrigerator 5 inches away from the wall.

LOCATION

- 1) Select a place with a strong, level floor.
- 2) Allow 5 inches of space between the back of the refrigerator and any adjacent wall.
- 3) Avoid direct sunlight and heat. Direct sunlight may affect the acrylic coating. Heat sources nearby will cause higher electricity consumption.

The refrigerating system in this refrigerator is a "Frost Free" system. This type of system requires no user intervention (i.e. defrosting) other than selecting required cooling temperatures and the usual care and maintenance.

To avoid vibration, the unit must be set level. This is accomplished by adjusting the front leveling leg, located under the refrigerator.

NOTES:

- This appliance is intended for **FREE-STANDING INSTALLATION ONLY**, and is NOT intended to be built-in.
- Before connecting this appliance to electrical power supply, leave it to stand for approx. 24 hours, which will reduce the possibility of malfunction in the cooling system due to transport handling.
- This appliance is approved for **INDOOR USE ONLY** and is NOT intended for outdoor operation.

IMPORTANT: Install this appliance in an area where the ambient temperature is between 55°F (13°C) and 110°F (43°C). If the temperature around the appliance is too low or high, cooling ability will be affected.

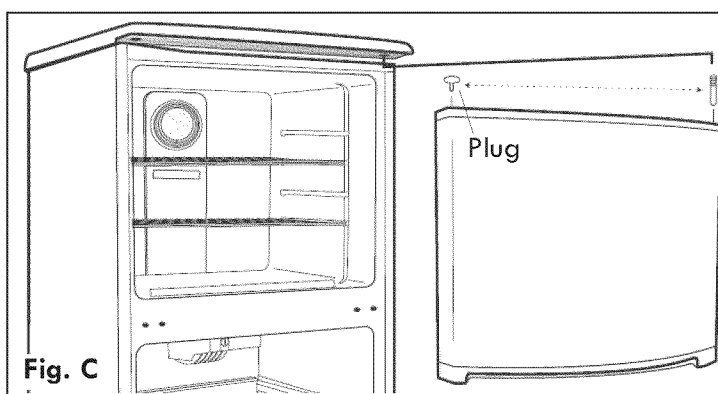
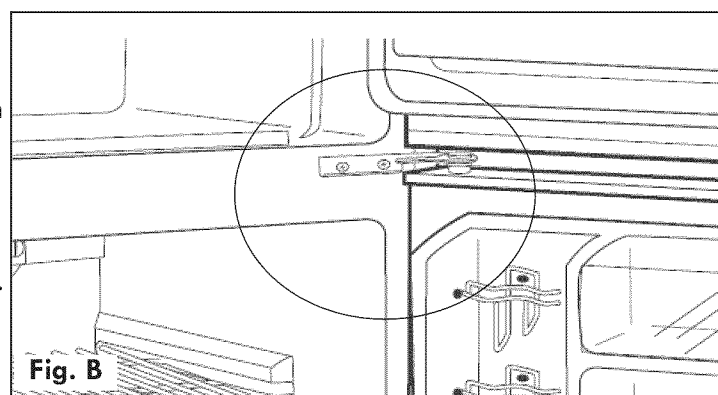
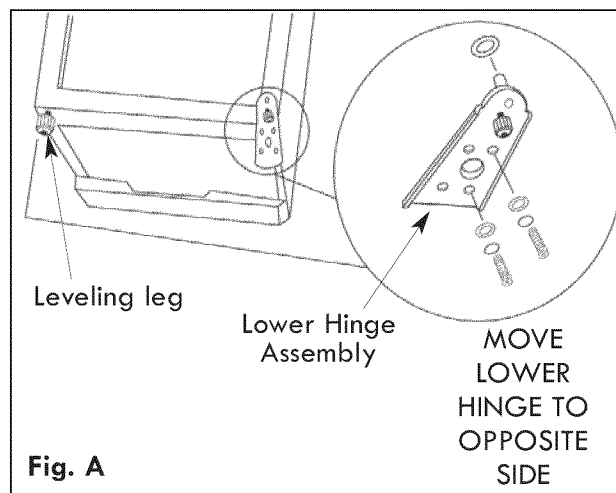
INSTALLATION INSTRUCTIONS

DOOR REVERSAL INSTRUCTIONS

CAUTION: To avoid personal injury to yourself and/or property, we recommend someone assist you during the door reversal process.

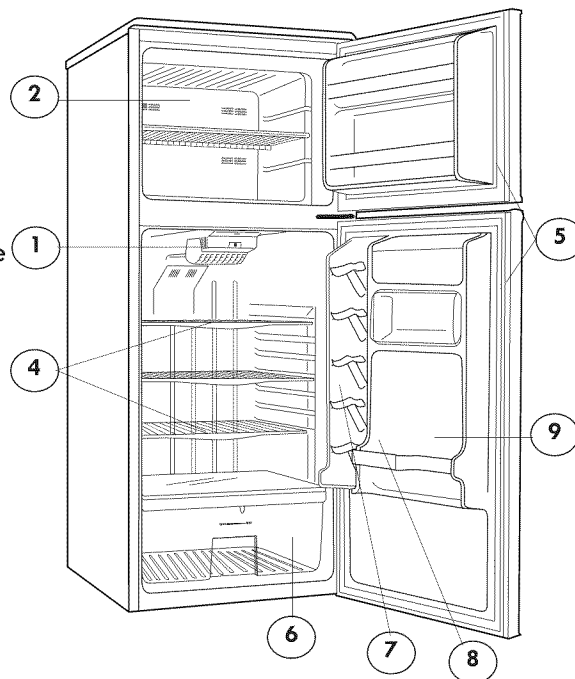
- 1) To access the lower hinge assembly, tilt back the refrigerator or lay it on its back (Fig. A).
- 2) Remove (unscrew) both leveling legs located at the front of the unit.
- 3) Using a Phillips head screwdriver, remove the screws holding the lower hinge assembly to the refrigerator (Fig. A).
- 4) Remove the main door assembly from the refrigerator (open door and pull down).
- 5) Remove the screws from the middle hinge assembly. Then remove the hinge and freezer door (Fig. B).
- 6) Remove (unscrew) the top hinge pin. (Fig. C).
- 7) Re-install the main door top hinge pin on the opposite side of the refrigerator (Fig. C).
- 8) Remove the door plug and door bushing located on the top and bottom of each door assembly.
- 9) Interchange positions (i.e. door plug right side, door bushing left side).
- 10) Re-install freezer door assembly on the refrigerator.
- 11) Re-install the middle hinge assembly on the opposite side.
- 12) Make sure the door assembly is properly aligned on the refrigerator before tightening hinge screws.
- 13) Re-install main door assembly on the unit.
- 14) Re-install the lower hinge assembly on the opposite side. Make sure to change the bushing and screw on the opposite sides on bottom of unit.
- 15) Make sure the door assembly is properly aligned on the refrigerator before tightening lower hinge screws.
- 16) Re-install both leveling legs.

The process is now complete.



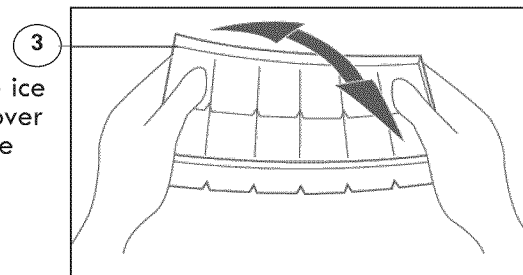
FEATURES

- 1) Thermostat Control:** For controlling the temperature inside the refrigerator/freezer.
- 2) Separate Freezer Section:** Holds ice cube tray and storage for frozen food.
- 3) Ice Cube Tray:** Ice cubes are easily removed from the tray.
- 4) Plastic Coated Shelves:** Odor resistant, rustproof and removable for easy cleaning.
- 5) Magnetic Gasket:** Tight fitting door seal retains all of the cooling power inside; no hooks or latches.
- 6) Crisper with Tempered Glass Shelf**
- 7) Canstor™ Door Storage:** Holds 12 oz. (355mL) cans of pop, juice, or beer.
- 8) Gallon Door Storage**
- 9) 2 Liter Bottle Storage**



ICE CUBE TRAY

The Ice Cube Tray is flexible. Twist tray to remove the ice cubes. If the ice cube tray is frozen solid to the evaporator surface, run a little water over the tray. Never use a knife or other metal instruments to remove the ice cube tray, as this may damage the evaporator.



LIGHT BULB REPLACEMENT

To replace the refrigerator light bulb:

- 1) Remove the screw from the light bulb cover.
- 2) Pull the light bulb cover downward.
- 3) Unscrew the bulb.
- 4) Replace with standard 40 watt appliance bulb ONLY.

CARE AND MAINTENANCE

COOLING SYSTEM

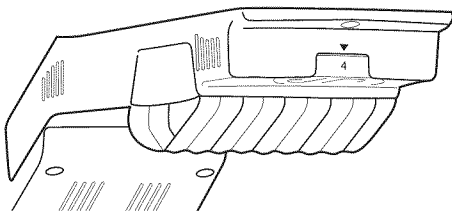
This refrigerator is inclusive of a “Frost Free” type cooling system, which means you never have to defrost the freezer compartment. Defrosting is done automatically. The defrost water is routed into a defrost pan located directly above the compressor, where it then evaporates.

CLEANING

Before cleaning the refrigerator or freezer, always disconnect the refrigerator from the power supply. To clean the inside, use a soft cloth and a solution of a tablespoon baking soda to one quart (4 cups) of water, or a mild soap suds solution or mild detergent. Wash ice cube tray, drip tray, and glide out shelves in a mild detergent solution, then wipe dry with a soft cloth. Clean the outside with a damp soft cloth and some mild detergent or appliance cleaner.

SETTING THE THERMOSTAT

The thermostat setting can be adjusted from 1 (minimum setting) through Maximum (coldest setting). We recommend setting the thermostat at 4 (medium setting). However, if you find this setting inadequate for your cooling requirements, adjust as needed by rotating the thermostat dial. The thermostat dial is located on the front top section of the refrigerator compartment. The thermostat controls temperature for both the freezer and refrigerator compartments.



VACATION TIME

For short vacation periods, leave the control knob at the usual setting. During longer absences;

- a) remove all food,
- b) disconnect from electrical outlet,
- c) leave the door open to avoid possible formations of condensation, mold, or odors.

POWER FAILURE

Most power failures are corrected within an hour or two, and will not affect your refrigerator temperatures. However, you should minimize the number times you open the door while the power is off. During power failures of longer duration, take steps to protect your food, for example, by placing dry ice on top of packages.

IF YOU MOVE

Remove, or securely fasten down, all loose items inside the refrigerator. To avoid damaging the leveling legs, turn them all the way into the base.

SOME IMPORTANT RULES FOR THE CORRECT USE OF THE REFRIGERATOR

- Never place hot foods in the refrigerator
- Beverages should be stored in sealed containers
- Foods to be stored for a long time should be wrapped in cellophane or polyethylene, or kept in glass containers. Never place spoiled food in the refrigerator.
- Don't overload the refrigerator.
- Don't open the door unless necessary.
- Should the refrigerator be stored without use for long periods, it is suggested, after careful cleaning, to leave the door ajar to allow the air to circulate inside the unit in order to avoid the possible formations of condensation, mold, or odors.

FOOD STORAGE SUGGESTIONS: Fresh Food Compartment

- Never cover food compartment shelves with aluminum foil or any other shelf covering material which may prevent air circulation.
- Always remove porous store wrapping paper from meats, poultry, and fish. Meats should be wrapped individually and placed in a dish for storage. Wrap fish and poultry in foil or heavy waxed paper. Most fish should be used the same day of purchase. Packaged meats such as ham, bacon, dried beef, or frankfurter, store best in their original packages.
- Allow warm foods to cool to room temperature before placing them in the refrigerator.
- Always cover open dishes of food, especially leftovers. Use leftovers within 2 or 3 days.

VEGETABLE CRISPER

The tray at the bottom of the refrigerator is covered to retain moisture. The crisper compartment will enable you to store vegetables and fruits which would otherwise dry out rapidly. The humidity level inside the crisper drawer can be controlled by adjusting the “damper” control (white slider) located on the front of the drawer.

TROUBLESHOOTING

Occasionally, a minor problem may arise, and a service call may not be necessary- use this troubleshooting guide for a possible solution. If the unit continues to operate improperly, call Sears at **1-800-4MY-HOME**

PROBLEM	POSSIBLE CAUSE	SOLUTION
1) Unit does not work.	<ul style="list-style-type: none"> • No power to unit. • Power cord is unplugged. • Wrong voltage is being used. 	<ul style="list-style-type: none"> • Check connection of power cord at power source. • Plug in unit. • Use proper voltage.
2) Refrigerator running too frequently.	<ul style="list-style-type: none"> • Temperature control too high. • Door not closed. • Hot food inserted. • Doors open too long/often. • Close proximity to heat source or direct sunlight. 	<ul style="list-style-type: none"> • Check/adjust settings as needed. • Close the door securely. • Cool food before inserting. • Minimize door openings/duration. • DO NOT place unit close to heat sources or in direct sunlight.
3) Internal Temperature too cold.	<ul style="list-style-type: none"> • Temperature set too low. 	<ul style="list-style-type: none"> • Check/adjust settings as needed.
4) Internal Temperature not cold enough.	<ul style="list-style-type: none"> • No power to unit. • Power cord is unplugged. • Wrong voltage is being used. • Temperature control too low. • Hot food inserted. • Doors open too long/often. • Air flow obstruction. • Close proximity to heat source or direct sunlight. 	<ul style="list-style-type: none"> • Check connection of power cord at power source. • Plug in unit. • Use proper voltage. • Check/adjust settings as needed. • Cool food before inserting. • Minimize door openings/duration. • Allow room for air to circulate around the unit. • DO NOT place unit close to heat sources or in direct sunlight.
5) Freezer not cold enough.	<ul style="list-style-type: none"> • Temperature control too low. • Door not closed. • Hot food inserted. • Doors open too long/often. • Wrong voltage is being used. 	<ul style="list-style-type: none"> • Check/adjust settings as needed. • Close door securely. • Cool food before inserting. • Minimize door openings/ duration. • Use proper voltage.
6) Light will not work.	<ul style="list-style-type: none"> • No power to unit. • Power cord is unplugged. • Bulb is loose/needs replacing. • Door switch is stuck. 	<ul style="list-style-type: none"> • Check connection of power cord to power source. • Plug in unit. • Tighten or replace bulb. • Check the switch for obstructions, clean if necessary.

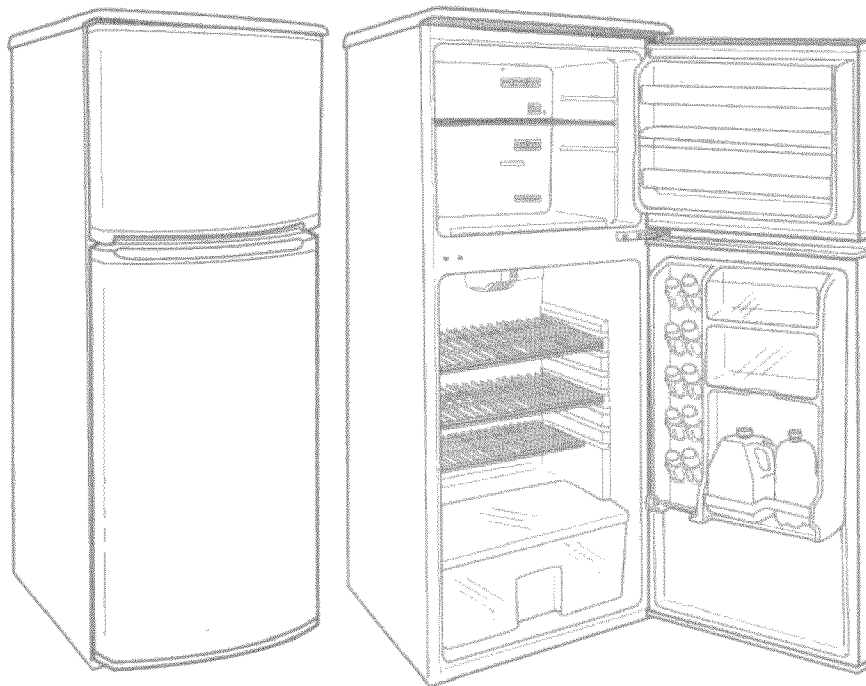


RÉFRIGÉRATEUR-CONGÉLATEUR

Guide d'utilisation et soins

Modèle 461.62402

- Garantie
- Contrats-cadres de protection
- Consignes de Sécurité Importantes
- Instructions d'installation
- Caractéristiques
- Soins et Entretien
- Dépannage



FRANÇAIS

GARANTIE

Garantie limitée Kenmore

Une fois installé, utilisé et entretenu conformément aux directives fournies avec le produit, si cet appareil tombe en panne en raison de défauts matériels ou de fabrication au cours de l'année suivant la date de son achat, composez le 1-800-4-MY-HOME® pour obtenir une réparation gratuite.

Si l'on destine cet appareil à des fins autres que l'usage familial privé, la présente garantie ne s'applique que pour les 90 jours suivant la date de son achat.

La présente garantie ne couvre que les défauts matériels et de fabrication. Sears NE REMBOURSE PAS:

1. Les articles consommables qui s'usent dans le cadre d'une utilisation normale, y compris, entre autres, les filtres, les courroies, les ampoules et les sacs.
2. Les services d'un technicien d'entretien expliquant à l'utilisateur les procédures correctes d'installation, d'utilisation ou d'entretien de ce produit.
3. Les services d'un technicien d'entretien nettoyant ou assurant l'entretien de ce produit.
4. Les dommages ou le bris de ce produit si celui-ci n'est pas installé, utilisé ou entretenu conformément à toutes les directives fournies avec ce produit.
5. Les dommages ou le bris de ce produit découlant d'un accident, d'un usage abusif, d'un mauvais usage ou d'un usage à des fins autres que celles prévues.
6. Les dommages ou le bris de ce produit causés par l'usage de détergents, de nettoyeurs, de produits chimiques ou d'outils autres que ceux recommandés dans les directives fournies avec ce produit.
7. Les dommages ou le bris de pièces ou de systèmes découlant de modifications non autorisées apportées à ce produit.

Exonération de garanties implicites; restriction de recours

Le seul et unique recours du client en vertu de la présente garantie limitée sera la réparation du produit, tel qu'indiqué aux présentes. Les garanties implicites, y compris les garanties de qualité marchande ou d'aptitude à un usage particulier, se limitent à un an ou à la période la plus courte permise par la loi. Sears ne saurait être tenue responsable pour tout dommage consécutif ou indirect. Certains États et provinces n'autorisent pas l'exclusion ou la restriction des dommages consécutifs ou indirects, ou la restriction de la durée des garanties implicites de qualité marchande ou d'aptitude à un usage particulier; il se peut donc que ces exclusions ou restrictions ne s'appliquent pas à vous.

La présente garantie n'est applicable que lorsque cet appareil est utilisé aux États-Unis ou au Canada. La présente garantie vous confère certains droits, et, selon l'État dans lequel vous résidez, d'autres droits peuvent vous être conférés.

Sears, Roebuck and Co., Hoffman Estates, IL 60179
Sears Canada Inc., Toronto (Ontario) Canada M5B 2B8

Contrats-cadres de protection

Félicitations pour votre achat intelligent. Votre nouveau produit Kenmore® a été conçu et fabriqué pour vous assurer un fonctionnement fiable des années durant. Toutefois, comme pour tous les produits, il est possible qu'il nécessite, de temps à autre, certaines procédures d'entretien préventif ou de réparation. C'est dans des cas comme ceux-là qu'un contrat-cadre de protection peut s'avérer nécessaire, vous permettant d'économiser de l'argent et d'éviter les complications.

Le contrat-cadre de protection peut également contribuer à prolonger la durée de vie de votre nouveau produit. Voici ce que le contrat* comprend :

- Pièces et main-d'œuvre** pour assurer le bon fonctionnement des produits dans le cadre d'une utilisation normale, et non en cas de défaut seulement. Notre couverture va au-delà de la garantie du produit. Aucune franchise, aucun défaut fonctionnel exclu de la couverture; une véritable protection.
- Service professionnel assuré** par une équipe de plus de **10 000 techniciens d'entretien Sears autorisés**; vous pouvez donc être certain que votre produit est entre de bonnes mains.
- Visites illimitées** de réparateurs et service à l'échelle nationale, aussi souvent qu'il le faut, lorsque vous en avez besoin.
- Garantie anti-citron** : remplacement de votre produit couvert si quatre pannes ou plus surviennent sur une période de douze mois.
- Remplacement de votre produit** couvert si celui-ci ne peut être réparé.
- Vérification d'entretien préventif annuel sur demande** : aucuns frais supplémentaires.
- Aide rapide par téléphone (Rapid Resolution)** : assistance téléphonique d'un représentant Sears pour tous les produits. Nous sommes un peu comme un « guide d'utilisation » parlant.
- Protection contre les surtensions** pour les dommages électriques attribuables aux fluctuations énergétiques.
- Protection d'une valeur de 250\$** contre la perte d'aliments pour toute perte d'aliments découlant de la défaillance mécanique d'un réfrigérateur ou d'un congélateur couvert.
- Remboursement** de la location d'un appareil si la réparation de votre produit couvert prend plus de temps que prévu.
- 10 % de rabais** sur le prix régulier de toute réparation non couverte et sur les pièces installées y ayant trait.

Une fois votre contrat acheté, il vous suffit d'un simple appel téléphonique pour planifier l'entretien. Vous pouvez nous appeler à tout moment du jour ou de la nuit, ou encore prendre votre rendez-vous d'entretien en ligne.

Le contrat-cadre de protection constitue un achat anti-risque. Si, pour quelque raison que ce soit, vous résiliez votre contrat au cours de la période de garantie de votre produit, nous vous rembourserons intégralement. Ou nous vous offrirons un remboursement au prorata à tout moment après l'expiration de la période de garantie du produit. Procurez-vous votre contrat-cadre de protection dès aujourd'hui!

Certaines restrictions et exclusions s'appliquent. Pour connaître nos prix ou pour obtenir de plus amples renseignements, composez le 1-800-827-6655 (États-Unis).

*** La couverture au Canada diffère sur certains éléments. Pour de plus amples renseignements, communiquez avec Sears Canada au 1-800-361-6665.**

Pour prendre contact avec le service d'installation de Sears pour l'installation professionnelle d'appareils électroménagers, de dispositifs d'ouverture de portes de garage, de chauffe-eau et d'autres composants importants de votre foyer, composez le **1-800-4-MY-HOME® (États-Unis et Canada).**

CONSIGNES DE SÉCURITÉ IMPORTANTES

CONDITIONS ÉLECTRIQUES

Cet appareil doit être mis à la terre. En cas de court-circuit, la mise à la terre réduit les risques de décharge électrique en fournissant un échappatoire au courant électrique.

L'appareil est muni d'un cordon électrique comprenant un fil de mise à la terre et une fiche de terre. Branchez la fiche dans une prise de courant correctement installée et mise à la terre.

PRÉCAUTION IMPORTANTE

Un réfrigérateur vide peut constituer une menace pour des enfants. Pour rendre l'unité inoffensive nous recommandons vivement d'enlever la porte avant la disposition.

AVERTISSEMENT - Consultez un électricien ou un technicien qualifié si vous ne comprenez pas bien les instructions de mise à la terre ou si vous avez un doute quelconque sur la bonne mise à la terre de l'appareil.

N'UTILISER JAMAIS DE FIL DE RALLONGE

S'il est possible, brancher le réfrigérateur à son propre circuit. Ainsi, les autres appareils ou la surcharge des lampes du domicile ne peuvent pas surcharger et interrompre le courant électrique. Une connexion desserrée peut se doubler à un autre appareil dans la même prise murale.

DANGER: Risque des enfants deviennent coincés dans l'appareil. Avant de jeter votre ancien réfrigérateur ou congélateur:

- Enlever les portes.

- Laissez les étagères à ses places afin que des enfants ne puissent pas monter facilement dans l'appareil.

N'ATTENDEZ PAS! FAITES-LE IMMÉDIATEMENT!

CONSERVEZ CES INSTRUCTIONS!

INSTRUCTIONS D'INSTALLATION

Enlevez les emballages extérieurs et intérieurs. Essuyez complètement l'extérieur avec un linge doux sec et l'intérieur avec un linge humide tiède. Il ne faut jamais situer l'appareil dans un recoin étroit, proche d'une source d'air chaude. L'air doit circuler à l'entour de l'appareil. Éloigner le réfrigérateur au moins 5 pouces du mur.

EMPLACEMENT

- 1) Choisir une place qui a un plancher fort et à niveau.
- 2) Éloigner l'appareil de 5 pouces des murs arrière et de côté.
- 3) Éviter les rayons de soleil et la chaleur directs qui peuvent affecter la surface en acrylique. Les sources de chaleur rapprochées augmentent la consommation d'énergie.

Le système de réfrigération de ce réfrigérateur est "sans givre". Ce type de système n'exige aucune intervention telle que la décongélation par l'utilisateur autre que le choix de température de réfrigération. Peut être réglé pour les plus petits contenants. Pour éviter la vibration, l'appareil doit être absolument

horizontal. Les deux premiers pieds de nivellement au dessous de réfrigérateur peuvent être ajustés.

La température de réfrigérateur variera dépendant de la quantité de nourriture et la fréquence avec laquelle la porte est ouverte.

NOTES:

- Cet appareil est pour L'INSTALLATION AUTONOME SEULEMENT, et n'est pas pour l'installation intégrée
- Laisser reposer le réfrigérateur pendant 24 heures avant de le brancher à l'alimentation électrique. Ceci réduit la possibilité de problèmes du système de refroidissement causés par la manutention durant le transport.
- Cet appareil est approuvé pour **L'USAGE D'INTÉRIEUR SEULEMENT** et n'est pas approuvé pour l'usage extérieur

IMPORTANT: Installez cet appareil où la température ambiante est entre 55°F (13°C) et 110°F (43°C). Si la température ambiante est trop basse ou trop haute, la capacité de refroidissement peut être affectée.

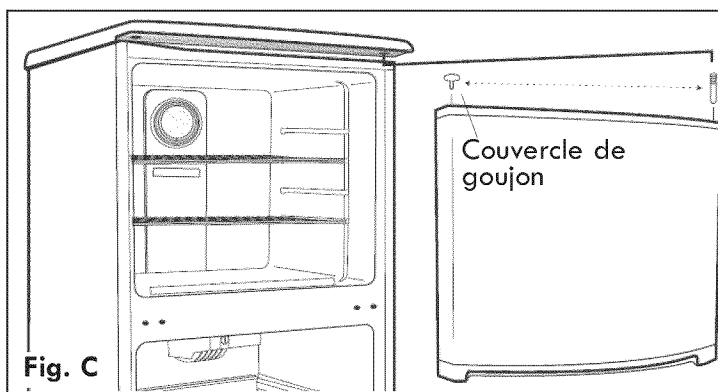
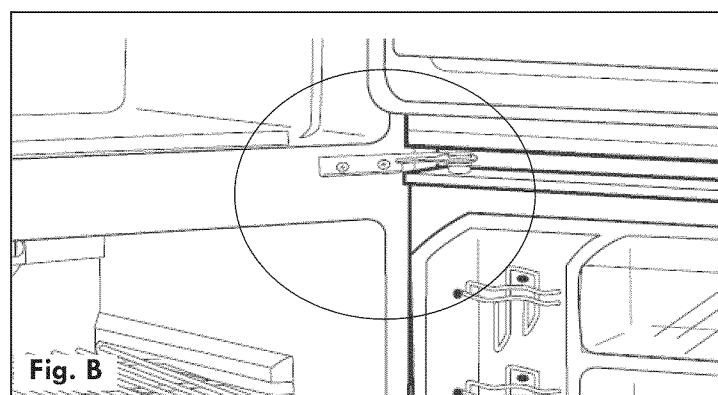
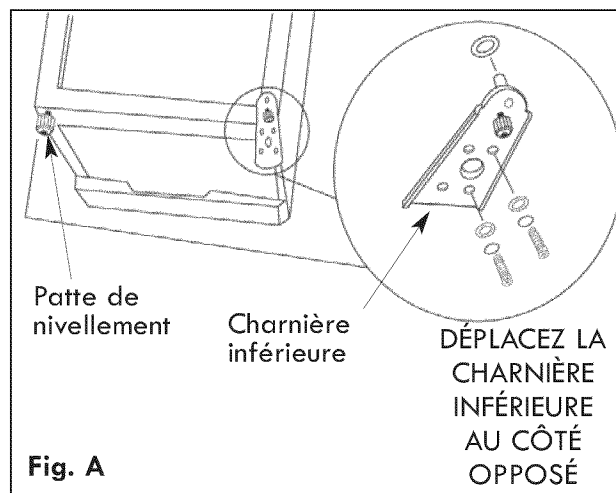
INSTRUCTIONS D'INSTALLATION

INSTRUCTIONS DE PORTE RENVERSIBLE

ATTENTION: Pour éviter de se blesser ou endommager l'unité, on vous recommande d'avoir quelqu'un vous aide pendant ce processus.

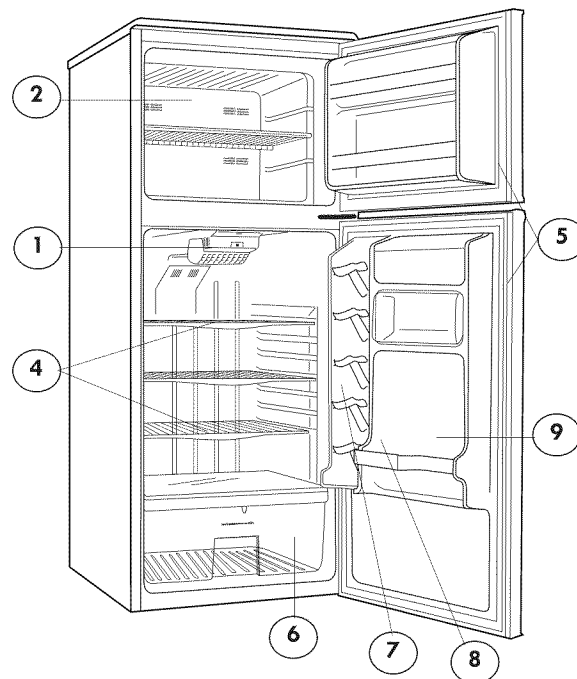
- 1) Pour avoir accès la charnière inférieure, incliner le réfrigérateur ou verser le sur son dos (Fig. A).
- 2) Enlever (dévissez) les deux pattes de nivellement situées sur le devant du réfrigérateur (Fig. A).
- 3) Enlever (avec un tournevis Phillips) les vis qui joignent le montage sur le devant de réfrigérateur (Fig. A).
- 4) Enlever le montage de la porte principale du réfrigérateur (Fig. A).
- 5) Enlever les vis de la charnière du centre de la porte. Enlever la charnière et la porte du congélateur (Fig. B).
- 6) Enlever (dévisser) le goujon de la charnière supérieure (Fig. C).
- 7) Réinstaller le goujon de la charnière supérieure sur le côté opposé du réfrigérateur (Fig. C).
- 8) Enlever les couvercle de goujon et le coussinet de porte situés sur le dessus et dessous de chaque montage de porte.
- 9) Interchanger les positions (mettre le couvercle de goujon sur le côté droit, coussinet de porte au côté gauche).
- 10) Réinstaller le montage de la porte du congélateur sur le réfrigérateur.
- 11) Réinstaller le montage de la charnière centrale de la porte sur le côté opposé.
- 12) S'assurer que l'installation de la porte est bien alignée sur le réfrigérateur avant de resserrer les vis des charnières.
- 13) S'assurer que l'installation de la porte est bien alignée sur le réfrigérateur avant de resserrer les vis des charnières.
- 14) Réinstaller le montage de charnière inférieure sur le côté opposé en s'assurant d'interchanger le coussinet et la vis sur les côtés opposés.
- 15) S'assurer que le montage de la porte est bien aligné sur le réfrigérateur avant de resserrer les vis de charnière inférieure.
- 16) Réinstaller les deux pattes de nivellement.

Le processus est complet.



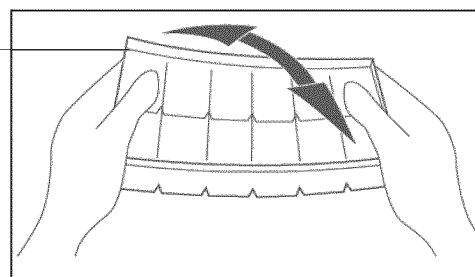
CARACTÉRISTIQUES

- 1) **Cadran du Thermostat:** Régle la température intérieure du réfrigérateur/congélateur.
- 2) **Section Séparée pour la Congélateur:** Contient les moules à glaçons et autre articles.
- 3) **Moule à Glaçon:** Démoulage facile des glaçons.
- 4) **Étagères Plastifiées:** Résistant aux odeurs et à la rouille. Amovibles pour faciliter l'entretien.
- 5) **Joint Étanche Magnétique:** Le joint étanche empêche l'air frais de s'échapper.
- 6) **Bac à Légumes avec Clayette en Verre**
- 7) **Paroi de Porte Canstor™:** Range les boîtes de boisson gazeuse, jus, ou bière de 12 oz. (355mL).
- 8) **Entreposage en Bouteille de Gallon:**
- 9) **Entreposage de Porte pour les Bouteilles de 2 litres**



MOULE A GLAÇON

Le moule à glaçons est flexible. Tourner-le pour enlever les glaçons. Si le moule est surgelé et colle à la surface de l'évaporateur, verser un peu d'eau tiède. Ne jamais utiliser de couteaux ou d'autres instruments en métal pour enlever le moule à glaçons car ceux-ci peuvent endommager l'évaporateur.



CHANGEMENT DE L'AMPOULE

Pour remplacer l'ampoule intérieure du réfrigérateur:

- 1) Enlever la vis du couvercle de l'ampoule.
- 2) Basculer le couvercle de l'ampoule vers le bas.
- 3) Dévisser l'ampoule.
- 4) Remplacer l'ampoule par une ampoule standard de 40 watts pour appareil ménager seulement.

SOINS ET ENTRETIEN

SYSTEME DE REFROIDISSEMENT

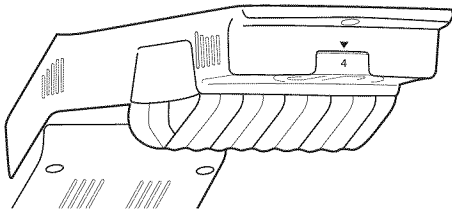
Ce réfrigérateur comprend un système de réfrigération <<sans givre>>, ce qui signifie que vous n'aurez jamais besoin de dégivrer le congélateur. Le dégivrage se fait automatiquement. L'eau produite lors du dégivrage est acheminée vers un plateau de dégivrage situé directement au-dessus du compresseur, si bien qu'elle s'évapore.

ENTRETIEN

Avant de nettoyer le réfrigérateur ou le congélateur, débranchez toujours le réfrigérateur de la source d'alimentation électrique. Pour nettoyer l'intérieur, utilisez un chiffon doux et une solution comprenant une cuillère à savon de poudre à pâte par pinte d'eau ou une solution d'eau et de savon doux ou un détergent doux. Lavez le bac à glaçons, le plateau ramasse-gouttes et les étagères dans une solution de détergent doux; esschez-les et essuyez-les à l'aide d'un chiffon doux. Nettoyez l'extérieur à l'aide d'un chiffon doux et de détergent doux ou d'un produit de nettoyage des appareils électroménagers.

REGLAGE DU THERMOSTAT

Le thermostat peut être réglé de 1 (min.) au maximum (réglage le plus froid). Nous vous recommandons un réglage à 4 (intermédiaire). Mais si vous trouvez que ce réglage ne convient pas en fonction de vos besoins, faites le réglage voulu en tournant le bouton du thermostat. Le cadran du thermostat se trouve à l'avant du logement du réfrigérateur. Le thermostat contrôle la température du congélateur et du réfrigérateur.



PENDANT LES VACANCES

Si vous prenez des vacances d'un mois ou moins, ne touchez pas à la commande du thermostat. Pendant les vacances plus prolongées;

- a) enlever tous les aliments,
- b) débrancher l'appareil,
- c) laisser la porte ouverte pour éviter les mauvaises odeurs.

PANNE D'ÉLECTRICITÉ

La plupart des pannes d'électricité sont corrigées dans un délai d'une heure et n'ont pas d'effets sur la température du réfrigérateur. Il est nécessaire de réduire le nombre d'ouvertures de la porte pendant une panne. Pendant les pannes qui durent plus qu'une heure, protégez vos aliments en déposant un bloc de glace sèche par-dessus les emballages. Si la glace n'est pas disponible, essayez d'utiliser temporairement

de l'espace de votre entrepôt à froid régional.

DEMEMAGEMENT

Enlever ou immobiliser toutes les pièces amovibles (c'-a-d; les clayettes) à l'intérieur du réfrigérateur et/ou du congélateur. Serrer les vis à nivellement à la base afin de ne pas les endommager.

IMPORTANTES CONSIGNES DE SÉCURITÉ POUR L'UTILISATION DU RÉFRIGÉRATEUR

- Ne jamais ranger d'aliments chauds dans le réfrigérateur.
- Ranger les breuvages dans des contenants étanches.
- Pour le rangement à longue durée, envelopper les aliments dans une pellicule cellophane ou polyéthylène, ou des contenants en verre. Ne jamais ranger d'aliments variés dans l'appareil.
- Ne jamais surcharger l'appareil.
- Ouvrir la porte seulement si nécessaire.
- Pour un rangement prolongé de l'appareil, il est suggéré de laver l'appareil, de laisser la porte ouverte afin de fournir une circulation d'air à l'intérieur de meubler et d'éviter le développement de condensation, de moisissures et d'odeurs.

RANGEMENTS DES ALIMENTS: Compartiments pour Aliments Frais

- Ne jamais recouvrir les clayettes du compartiment de papier d'aluminium ou autres matériaux car ceci peut empêcher la circulation d'air.
- Enlever toujours les emballages perméables du marchand qui recouvrent la viande, volaille et le poisson. Les viandes doivent être emballées individuellement, et déposées dans un récipient pour le rangement. Emballer la volaille ou le poisson dans du papier aluminium ou de papier cire épais. Faites cuire la plupart des sortes de poisson le jour de l'achat. Les viandes emballées par le marchand, telles que le jambon, le bacon, le bœuf sec, ou les saucisses fumées se rangent très bien leur emballage.
- Laisser refroidir les aliments à la température de la pièce avant de les ranger dans le réfrigérateur.
- Toujours recouvrir les aliments, surtout les restants. Utiliser les restants avant 2 à 3 jours.

BAC À LÉGUMES ET À FRUITS

Le plateau situé au bas du réfrigérateur est couvert pour conserver l'humidité. Le bac à légumes et à fruits vous permet de conserver les légumes et les fruits qui se dessècheraient rapidement autrement. Le niveau d'humidité à l'intérieur du bac à légumes et à fruits peut être contrôlé à l'aide de la commande d'humidité (bouton coulissant blanc) situé à l'avant du bac.

DÉPANNAGE

De temps en temps, un problème est mineur et un appel de service peut ne pas être nécessaire. Utilisez ce guide de dépannage pour trouver une solution possible. Si l'unité continue de fonctionner incorrectement, appelez Sears à **1-800-4MY-HOME**

PROBLEME	CAUSE PROBABLE	SOLUTION
1) Ne fonctionne pas.	<ul style="list-style-type: none"> • L'appareil n'est pas alimenté. • Le cordon d'alimentation n'est pas branché. • La source d'alimentation n'est pas appropriée. 	<ul style="list-style-type: none"> • Vérifiez que l'appareil est branché à la source d'alimentation. • Branchez la fiche. • Utilisez la tension appropriée.
2) Refroidit trop souvent.	<ul style="list-style-type: none"> • La commande de temp. est réglée à une position trop élevée. • La porte n'est pas fermée. • Des aliments chauds y ont été rangés. • La porte est ouverte trop souvent / longtemps. • L'appareil est trop proche d'une source de chaleur ou des rayons du soleil. 	<ul style="list-style-type: none"> • Vérifiez que la commande est réglée à la bonne position. • Fermez bien la porte. • Assurez-vous que les aliments sont refroidis avant de les ranger. • Ne gardez pas la porte ouverte trop longtemps. • Ne suivez pas l'appareil trop près d'une source de chaleur.
3) Température interne trop froid.	<ul style="list-style-type: none"> • La commande du thermostat est programmé trop bas. 	<ul style="list-style-type: none"> • Vérifiez la position de la commande et réglez de nouveau.
4) Température interne pas assez froid.	<ul style="list-style-type: none"> • L'appareil ne reçoit aucun pouvoir. • Le cordon n'est pas branché. • La commande de température est réglée à une position trop bas. • La porte n'est pas fermée. • Des aliments chauds y ont été rangés. • Obstructions à la circulation d'air. • La source d'alimentation n'est pas appropriée. • L'appareil est trop proche d'une source de chaleur / du soleil. 	<ul style="list-style-type: none"> • Vérifier que l'appareil est branché à la source d'alimentation. • Branchez la fiche. • Vérifiez la position de la commande et réglez de nouveau. • Fermez bien la porte. • Assurez-vous que les aliments sont refroidis avant de les ranger. • Laissez assez d'espace pour la circulation d'air. • Utilisez la tension appropriée. • Ne situez pas l'appareil trop près d'une source de chaleur.
5) Congélateur pas assez froid.	<ul style="list-style-type: none"> • La commande est à une position trop bas. • La porte n'est pas fermée. • Des aliments chauds y ont été rangés. • La source d'alimentation n'est pas appropriée. 	<ul style="list-style-type: none"> • Vérifiez la position de la commande et réglez de nouveau. • Fermez bien la porte. • Assurez-vous que les aliments sont refroidis avant de les ranger. • Utilisez la tension appropriée.
6) Lampe ne fonctionne pas.	<ul style="list-style-type: none"> • L'appareil n'est pas alimenté. • Le cordon d'alimentation n'est pas branché. 	<ul style="list-style-type: none"> • Vérifiez que l'appareil est branché à la source d'alimentation. • Branchez la fiche.

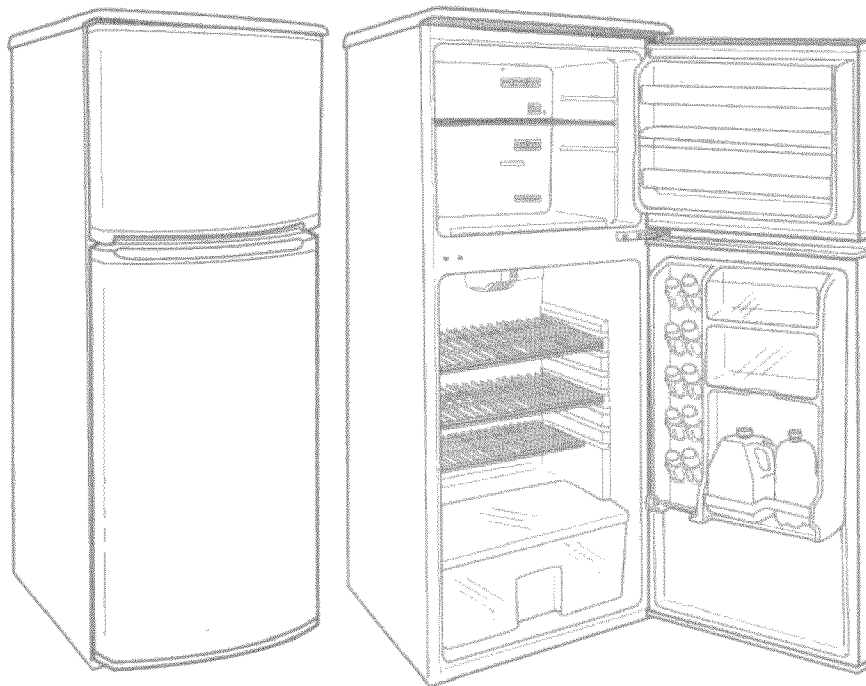


REFRIGERADOR-CONGELADOR

Guía a Utilizar y Cuidar

Modelo 461.62402

- Garantía
- Convenio marco de protección
- Instrucciones de Seguridad Importantes
- Instalación
- Características
- Limpieza y Mantenimiento
- Solución Sugerda



ESPAÑOL

GARANTÍA

Garantía limitada de Kenmore

Usted podrá llamar al 1-800-4-MY-HOME® para recibir servicios gratuitos de reparación durante un año a partir de la fecha de compra de este aparato, si el mismo presenta fallas debido a defectos de materiales o de fabricación, siempre y cuando su instalación, operación y mantenimiento se haya realizado según todas las instrucciones suministradas con el producto.

Si este aparato se usa para otros fines que no sean de índole privada y doméstica, esta garantía tendrá validez por sólo 90 días a partir de la fecha de compra.

Esta garantía solamente cubre los defectos de materiales y de fabricación. Sears NO pagará por:

1. Artículos consumibles que se desgasten con el uso normal, como, a título ilustrativo, los filtros, las correas, las bombillas y bolsos.
2. Los honorarios de un técnico de servicio que instruya al usuario respecto a la instalación, la operación y el mantenimiento correctos del producto.
3. Los honorarios de un técnico de servicio que limpie y dé mantenimiento a este producto.
4. Los daños o las fallas que presente este producto si no se instala, opera ni mantiene de acuerdo con todas las instrucciones suministradas con el producto.
5. Los daños o las fallas que presente este producto como consecuencia de accidentes, abuso, uso indebido o usos distintos de aquellos para los que está destinado.
6. Los daños o las fallas que presente este producto debido al uso de detergentes, productos de limpieza, sustancias químicas o utensilios que no sean los recomendados en todas las instrucciones suministradas con el producto.
7. Los daños o las fallas de piezas o sistemas que se produzcan como consecuencia de modificaciones realizadas a este producto sin autorización.

Descargo de responsabilidad por garantías implícitas; restricción de recursos

En virtud de esta garantía, y según se dispone en la misma, la reparación es el único y exclusivo recurso de que dispone el cliente. Todas las garantías implícitas, incluyendo las garantías de idoneidad para la comercialización y para un fin en particular, se limitan a un año o al período más corto que permita la ley. Sears no se hará responsable por daños secundarios o resultantes. En algunos estados y provincias no se permite la exclusión o la limitación de daños secundarios o resultantes, o la restricción del período de vigencia de las garantías implícitas de idoneidad para la comercialización o para un fin en particular, por lo que es posible que estas exclusiones o limitaciones no se apliquen a su caso.

Esta garantía sólo será válida si el aparato se usa en los Estados Unidos o en Canadá.

Esta garantía le otorga derechos específicos; es posible que también pueda tener otros derechos que varíen de estado a estado.

Sears, Roebuck and Co., Hoffman Estates, IL 60179
Sears Canada Inc., Toronto, Ontario, Canada M5B 2B8

Convenio marco de protección

Le felicitamos por esta inteligente compra. Su nuevo producto Kenmore® ha sido diseñado y fabricado para que le proporcione un funcionamiento fiable por muchos años. Pero como todo producto, es posible que requiera mantenimiento preventivo o reparación de vez en cuando. En tales casos, contar con un convenio marco de protección le permite ahorrar dinero y evitar problemas. El convenio marco de protección también le ayuda a extender la vida útil de su nuevo producto.

El convenio* incluye lo siguiente:

- Las piezas y la mano de obra** que se necesite para ayudar a mantener los productos en buen estado de funcionamiento en condiciones de uso normal, no sólo para subsanar los defectos. Nuestra cobertura va más allá de la de la garantía del producto. No se imponen deducibles, no se excluyen de la cobertura fallas funcionales: **es protección real.**
- Servicio de un equipo de expertos** compuesto por más de **10,000 técnicos autorizados de Sears**, lo que significa que su producto estará en manos de alguien en quien puede confiar.
- Llamadas ilimitadas para solicitar servicio** y servicio a lo largo y ancho del país, tantas veces como nos necesite, cuando nos necesite.
- Garantía contra mala calidad:** reposición del producto amparado por la garantía si este presenta cuatro o más fallas en un período de doce meses.
- Reposición del producto** amparado por la garantía si no puede ser reparado.
- Chequeo de mantenimiento preventivo anual** cuando lo solicite, sin cargo adicional.
- Ayuda rápida por teléfono**, a la que llamamos "**resolución rápida**": asistencia técnica por teléfono por parte de un representante de Sears, para cada uno de nuestros productos. Considérenos su "manual del propietario hablante".
- Protección de sobretensión** contra los daños eléctricos provocados por las fluctuaciones del suministro eléctrico.
- \$250 al año de protección por pérdida de alimentos**, por el deterioro de alimentos debido a fallas mecánicas de cualquier refrigerador o nevera cubiertos por la garantía.
- Reembolso** del costo del alquiler si la reparación del producto cubierto por la garantía demora más de lo prometido.
- 10% de descuento** sobre el precio regular de los servicios de reparación y las piezas correspondientes instaladas, no amparados en la garantía.

Una vez que adquiera el convenio, lo único que tiene que hacer es llamar por teléfono para programar el servicio. Puede llamar a cualquier hora del día o de la noche, o programar la cita de servicio en línea.

El convenio marco de protección es una compra libre de riesgos. Si lo cancela por cualquier motivo durante el período de validez de la garantía del producto, le reembolsaremos todo su dinero. O le reembolsaremos una suma a prorrata después que venza la garantía. ¡Adquiera hoy mismo su Convenio marco de protección!

Es posible que se apliquen algunas restricciones. Para información sobre precios y otra información, llame en Estados Unidos al 1-800-827-6655.

*** La cobertura que se ofrece en Canadá varía para ciertos artículos. Para obtener información detallada, llame a Sears Canada al 1-800-361-6665.**

Servicio de instalación de Sears para instalación profesional de equipos electrodomésticos, dispositivos para abrir puertas de garajes, calentadores de agua y otros artículos grandes de uso doméstico, llame en Estados Unidos o en Canadá al **1-800-4-MY-HOME®**.

INSTRUCCIONES DE SEGURIDAD IMPORTANTES

REQUISITOS ELÉCTRICOS

Este aparato electrodoméstico, debe estar conectado a tierra. En caso de un cortocircuito eléctrico, la conexión a tierra reduce el riesgo de choque eléctrico proporcionando un cable de escape para la corriente eléctrica.

Este aparato viene equipado con un cordón que posee un cable a tierra con un enchufe de conexión a tierra. Este enchufe debe estar enchufado en un tomacorriente instalado correctamente y conectado a tierra.

ADVERTENCIA: El uso inadecuado del enchufe de conexión a tierra puede resultar en un riesgo de choque eléctrico. Consulte con un electricista o persona de reparaciones competente si no comprende bien las instrucciones de conexión a tierra o si existe alguna duda sobre si el aparato está conectado a tierra correctamente.

NO USE UN CORDÓN DE PROLONGACIÓN ELÉCTRICA. Use un tomacorriente de pared exclusivo. No conecte su refrigerador para vinos a cordones de prolongación eléctrica o junto a cualquier otro electrodoméstico en el mismo tomacorriente de pared.

No empalme el cordón.

ADVERTENCIA IMPORTANTE: Un refrigerador para vinos vacío es una atracción muy peligrosa para los niños. Saque todas las juntas, pestillos, tapas o la puerta de todo electrodoméstico que no esté en uso, o tome alguna medida para asegurar que no presente peligro.

¡PELIGRO! Peligro de atraparse los niños en la unidad. Antes de desechar su antiguo refrigerador o congelador:

- Quite las puertas.

- Deje las tablas en sus lugares exactos a fin de que los niños no puedan subir fácilmente a la unidad.

¡NO ESPERE, HÁGALO AHORA MISMO!

¡GUARDE ESTAS INSTRUCCIONES!

INSTALACIÓN

Saque los embalajes exteriores e interiores, limpie el exterior bien con un paño suave seco y el interior con un paño húmedo y tibio. Evite colocar la caja en un hueco estrecho o cerca de una fuente de calor, luz solar directa, o lugar húmedo. Deje que el aire circule libremente alrededor de la caja. Mantenga la parte posterior del refrigerador a 5 pulgadas de la pared.

UBICACIÓN

- 1) Seleccione un lugar con un piso firme y nivelado.
- 2) Permita cinco pulgadas de espacio entre la parte posterior del refrigerador y toda pared contigua.
- 3) Evite luz directa del sol o calor. La luz directa del sol puede afectar la capa de acrílico. Las fuentes de calor en su proximidad causarán un consumo mayor de electricidad.

El sistema de refrigeración de este refrigerador es un sistema "sin escarcha". Este tipo de sistema no requiere intervención del usuario (i.e. descongelación), salvo seleccionar la temperatura de enfriamiento y el cuidado y mantenimiento usual.

Para evitar vibración, el refrigerador debe estar bien nivelado. Esto se logra ajustando los pies traseros. Este se logra ajustando los dos pies delanteros, ubicados bajo el refrigerador.

NOTAS:

- Este aparato es pensado para la **INSTALACIÓN AUTÓNOMA**, y no es pensado para la instalación integrada.
- Antes de conectar el artefacto eléctrico a la fuente de energía eléctrica, déjelo reposar durante 24 horas. Esto reducirá la posibilidad de malos funcionamientos en el sistema de enfriamiento debido a la manipulación para su transporte.
- Su refrigerador es aprobada para **EL USO DE INTERIOR SOLAMENTE** y no es aprobada para el uso al aire libre.

IMPORTANTES: Instale este Refrigerador en un área donde está la temperatura ambiente entre 55°F (13°C) y 110°F (43°C). Si la temperatura alrededor del Refrigerador es demasiado baja o alta, la capacidad de enfriamiento puede ser afectada.

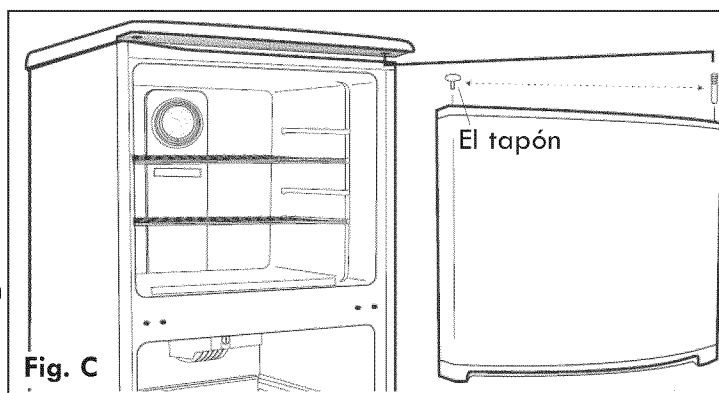
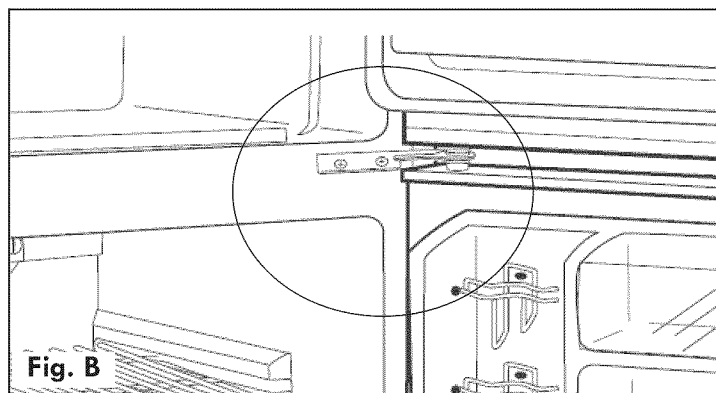
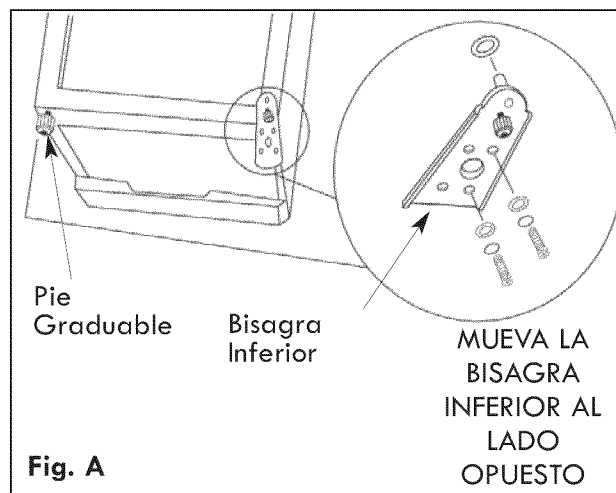
INSTALACIÓN

INSTRUCCIONES PARA LA INVERSIÓN DE LA PUERTA

ADVERTENCIA: Para evitarse lesiones personales y daños a la propiedad, recomendamos que otra persona lo ayude durante el proceso de cambiar de sentido en que se abre la puerta.

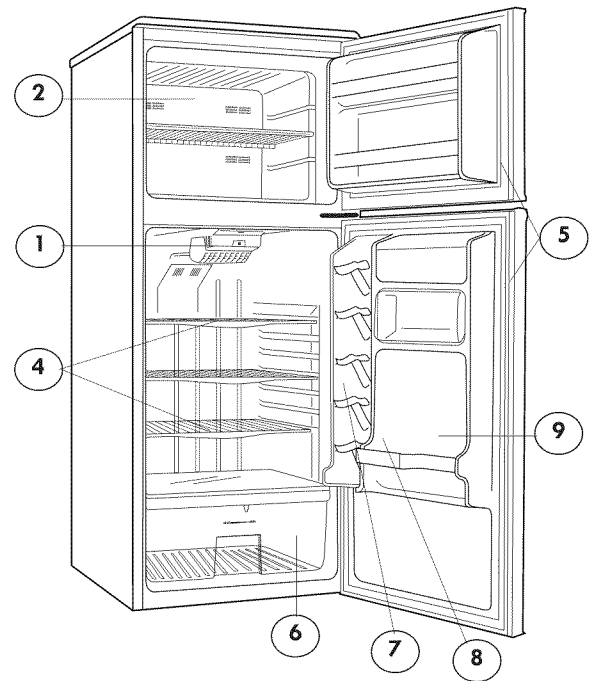
- 1) Para lograr acceso a la unidad de la bisagra inferior, incline el refrigerador hacia atrás, o tiéndalo sobre el dorso (Fig.A).
- 2) Saque (desatornille) los dos pies graduables ubicados en la parte del antera del refrigerador.
- 3) Saque (con un destornillador Phillips) los tornillos que fija la unidad de la bisagra inferior al refrigerador (Fig.A).
- 4) Saque la unidad principal de la puerta del refrigerador (Abra la puerta y tire hacia abajo).
- 5) Saque los tornillos de la unidad de la bisagra del medio. Luego saque la bisagra y la puerta del congelador (Fig.B).
- 6) Saque (des tornille) el eje de la bisagra superior en el lado o puesto del refrigerador (Fig.C).
- 7) Vuelva a instalar el eje de la bisagra superior en el lado o puesto del refrigerador (Fig.C).
- 8) Saque el tapon de la bisagra y el manguito de la puerta, ubicados en la parte superior e inferior de cada unidad de puerta.
- 9) Intercambie las posiciones (Es decir, el tapón al lado derecho de la puerta, el manguido al lado izquierdo de la puerta).
- 10) Vuelva a instalar la unidad de la puerta del congelador en el refrigerador.
- 11) Vuelva a instalar la unidad de la bisagra del medio en el lado opuesto del refrigerador.
- 12) Antes de apretar los tornillos de la bisagra, verifique que la unidad de la puerta esté debidamente alineada con el refrigerador.
- 13) Vuelva a instalar la unidad de la puerta principal en el refrigerador.
- 14) Vuelva a instalar la unidad de bisagra inferior en el lado o puesto. Asegúrese de cambiar el manguito y tornillo en los lados o puestos en la parte inferior de la unidad.
- 15) Antes de apretar los tornillos de la bisagra inferior, verifique que la unidad de la puerta esté debidamente alineada con el refrigerador.
- 16) Vuelva a instalar los pies graduables.

Ahora, el proceso ha terminado.



CARACTERÍSTICAS

- 1) **Disco del Termostático:** Para controlar la temperatura dentro del congelador.
- 2) **Congelador Encompartimento Separado:** Para guardar las cubetas de hielo y alimentos congelados.
- 3) **Cubeta de Hielo:** Los cubitos de hielo se pueden sacar fácilmente de la cubeta.
- 4) **Estantes Refrigeradores Plástico:** Resistentes a los olores, inoxidable y desmontables, para una limpieza fácil.
- 5) **Junta Magnética:** El sello hermético de la puerta evita que escape el frío. Sin trabas ni cerrojos.
- 6) **Cajon de Verduras con Repisa de Acrilico Transparente**
- 7) **Revestimiento de Puerta Canstor™ :** Para guardar latas de bebidas gaseosas, jugos o cerveza, de 12 oz. (355ml).
- 8) **Almacenamiento en la Puerta de Botellas de Galón**
- 9) **Altura de Almacenamiento para Botellas de 2 Litros**



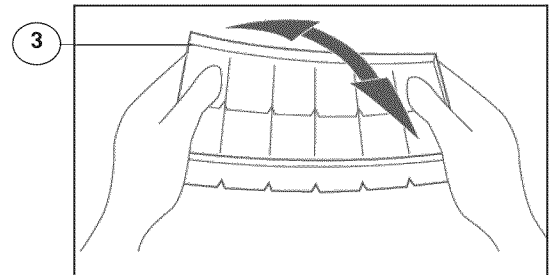
CUBOS DE HIELO

La bandeja para cubos de hielo es flexible. Doble la bandeja para sacar los cubos de hielo. Si la bandeja para cubos de hielo está congelada y pegada a la superficie del evaporador, eche un poco de agua tibia sobre la bandeja. Nunca use un cuchillo u otro instrumento metálico para sacar la bandeja de cubos de hielo ya que esto puede causar desperfectos en el evaporador.

CAMBIO DE LA BOMBILLA

Para cambiar la bombilla del compartimiento interior:

- 1) Saque el tornillo del protector de la bombilla.
- 2) Tire hacia abajo el protector de la bombilla.
- 3) Desatornille la bombilla.
- 4) Cambie la bombilla. Use sólo bombillas estandarde 40 vatios para artefactos electricos.



LIMPIEZA Y MANTENAMIENTO

SISTEMA DE REFRIGERACIÓN

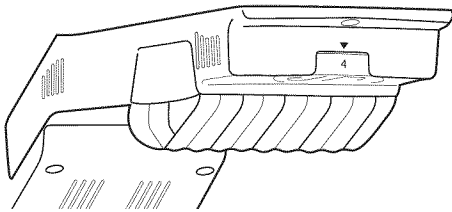
Este refrigerador incluye un sistema de enfriamiento 'libre de escarcha', lo cual significa que nunca tendrá que descongelar el compartimiento del congelador. El descongelamiento se realiza automáticamente. El agua descongelada cae en una bandeja ubicada directamente sobre el compresor y allí se evapora.

LIMPIEZA

Cuando vaya a limpiar el refrigerador-congelador siempre desenchúfelo antes de comenzar. Para limpiar el interior utilice un trapo suave y una solución de una cucharada de sopa de bicarbonato de sodio disuelta en un cuarto litro de agua o una solución de espuma de jabón suave o algún detergente suave. Lave las cubeteras, la bandeja colectora y los estantes deslizables con una solución de detergente suave, luego deje que se escurran y repáselos con un trapo suave. Limpie la superficie exterior con un trapo suave húmedo y algún detergente suave o líquido limpiador.

CONFIGURACIÓN DEL TERMOSTATO

El termostato se puede ajustar desde #1 (temperatura más alta) hasta Máximo (temperatura más baja). Recomendamos configurarlo en #4 (temperatura media); sin embargo, si encuentra que esta temperatura no satisface sus necesidades, rote el cuadrante del termostato para ajustarlo a la temperatura apropiada. El cuadrante está ubicado en la sección frontal superior del compartimiento del refrigerador. El termostato controla tanto la temperatura del compartimiento del congelador como la del refrigerador.



PERIODO DE VACACIONES

Para periodos cortos de vacaciones, deje los controles en sus graduaciones corrientes. Durante ausencias más largas;

- a) saque todos los alimentos,
- b) desconecte el refrigerador del tomacorriente,
- c) deje la puerta abierta para evitar la formación de olores.

CORTE DE CORRIENTE

La mayoría de los cortes de corriente se corrigen en una o dos horas y no afectarán las temperaturas de su refrigerador. Sin embargo, Ud. deberá reducir la cantidad de veces que abre la puerta cuando la corriente esté apagada. Durante los cortes de corriente de larga duración, tome medidas para proteger sus alimentos colocando un bloque de hielo seco sobre los paquetes.

SI UD. SE MUDA

Saque o asegure todos los artículos dentro (ej. parrillas) del refrigerador/congelador. Para evitar que los tornillos de nivel se averíen, gire los completamente hacia la base.

ALGUNAS REGLAS IMPORTANTES PARA EL USO CORRECTO DEL REFRIGERADOR.

- Nunca coloque alimentos calientes en el refrigerador.
- Las bebidas se deben guardar en envases cerrados.
- Los alimentos que se guardan por un periodo largo de tiempo, deben ser envueltos en celofán o polietileno, o se deben mantener en envases de vidrio. Nunca coloque alimentos estropeados en el gabinete.
- No sobrecargue el gabinete.
- No abra la puerta a menos que sea necesario.
- Si el refrigerador se guarda sin uso por periodos largos de tiempo, se sugiere que, luego de una limpieza cuidadosa, se deje la puerta entreabierta para permitir que el aire circule dentro de el gabinete y evitar una posible formación de condensación, moho u olores.

SUGERENCIAS PARA GUARDAR ALIMENTOS EN EL COMPARTIMIENTO PARA ALIMENTOS FRESCOS

- Nunca cubra las parrillas del compartimiento para alimentos con papel de aluminio o cualquier otro material para cubrir parrillas que puedan obstruir la circulación del aire.
- Siempre saque la envoltura porosa proveniente de la tienda, de toda la carne, pollo o pescado. La carne se debe envolver en forma individual. Envuelva el pescado y el pollo en papel aluminio o papel encerado grueso. La mayoría de los pescados se debe usar el mismo día en que se compran. Las carnes empaquetadas como el jamón, tocino, carne seca o salchichas, se almacenan mejor en sus paquetes originales.
- Permita que los alimentos calientes se enfrien a temperatura ambiente antes de colocarlos en el refrigerador.
- Siempre cubra los platos con alimentos, especialmente los restos. Use los restos en 2 o 3 días.

CAJÓN DE VERDURAS

La bandeja del piso del refrigerador está cubierta para retener la humedad. El compartimiento de verduras le permitirá almacenar verduras y frutas que, en otras condiciones, se secarían con rapidez. En nivel de la humedad del interior del cajón de verduras se puede controlar por medio del "control de humedad" (cursor blanco) ubicado en el frente del cajón.

SOLUCIÓN SUGERIDA

Con infrecuencia, los problemas no son muy importantes, y es posible que no se requiera una llamada de servicio, use la guía para la resolución de problemas para tratar de encontrar una posible solución. Si la unidad continua funcionando en forma incorrecta, llama Sears a **1-800-4MY-HOME**

PROBLEMA	CAUSA PROBABLE	SOLUCIÓN
1) No funciona.	<ul style="list-style-type: none"> • No hay voltaje en el contacto. • Clavija desconectada. • Voltaje fuera de especificaciones. 	<ul style="list-style-type: none"> • Verifique que la clavija esté conectada. • Conecte la clavija. • Verifique que haya corriente adecuada.
2) Trabaja muy frecuentement.	<ul style="list-style-type: none"> • Control en máximo o cerca de máximo. • Puerta mal cerrada. • Alimentos muy calientes en interior. • Demasiadas o muy prolongadas aperturas de puerta. • Recibe luz solar directa o está cerca de fuentes de calor. 	<ul style="list-style-type: none"> • Verifique la posición y ajuste a su gusto. • Cierre bien la puerta. • Asegure de meter los alimentos no muy calientes. • No mantega la puerta abierta por grandes periodos de tiempo. • No coloque su refrigerador cerca de fuentes de calor o de los rayos de sol.
3) Temperatura interior es muy fría.	<ul style="list-style-type: none"> • Control en frío máximo o cerca. 	<ul style="list-style-type: none"> • Verifique la posición y ajuste su gusto.
4) Temperatura interior muy alta.	<ul style="list-style-type: none"> • No hay voltaje en el contacto. • Control en lo cerca. • Puerta mal cerrada. • Alimentos muy calientes el en interior. • Desmasiadas o muy prolongadas aperturas de puerta. • Charolas muy grandes bloquean la circulación del aire en interior. • Voltaje fuera de especificaciones. • Recibe luz solar directa o está cerca de fuentes de calor. 	<ul style="list-style-type: none"> • Verifique que la clavija esté conectada. • Verifique la posición y ajuste. • Cierre bien la puerta. • Enfriese alimento antes de insertir. • Minimo aperturas de puerta. • Permita los espacios sugeridos para que el aire circule. • Verifique que haya corriente adecuada • No coloque su refrigerador cerca de fuentes de calor o de los rayos de sol.
5) Congelador no hela suficiente.	<ul style="list-style-type: none"> • Control en 1 o cerca. • Puerta mal cerrada. • Alimentos muy calientes en interior. • Voltaje fuera de especificaciones. 	<ul style="list-style-type: none"> • Ajuste la posició a su gusto. • Cierra bien la puerta. • Asegurese de meter los alimentos no muy calientes. • Verifique que haya corriente adecuada.
6) Foco no enciende.	<ul style="list-style-type: none"> • No hay voltaje en el contacto. • Clavija desconectada. • Foco flojo o fundido; el interruptor de puerta pegado. 	<ul style="list-style-type: none"> • Verifique que la clavija esté conectada. • Conecte la clavija. • Ajuste el foco, o reemplácelo. Verifique que el interruptor no este pegado.

Get it fixed, at your home or ours!

Your Home

For expert troubleshooting and home solutions advice:

manage  home

www.managemyhome.com

For repair – **in your home** – of **all** major brand appliances, lawn and garden equipment, or heating and cooling systems, **no matter who made it, no matter who sold it!**

For the replacement parts, accessories and owner's manuals that you need to do-it-yourself.

For Sears professional installation of home appliances and items like garage door openers and water heaters.

1-800-4-MY-HOME[®]

(1-800-469-4663)

www.sears.com

Call anytime, day or night

(U.S.A. and Canada)

www.sears.ca

Our Home

For repair of carry-in items like vacuums, lawn equipment, and electronics, call anytime for the location of the nearest

Sears Parts & Repair Service Center

1-800-488-1222 (U.S.A.)

www.sears.com

1-800-469-4663 (Canada)

www.sears.ca

To purchase a protection agreement on a product serviced by Sears:

1-800-827-6655 (U.S.A.)

1-800-361-6665 (Canada)

Para pedir servicio de reparación a domicilio, y para ordenar piezas:

1-888-SU-HOGAR[®]

(1-888-784-6427)

Au Canada pour service en français:

1-800-LE-FOYER^{MC}

(1-800-533-6937)

www.sears.ca



© Sears Brands, LLC

® Registered Trademark / TM Trademark / SM Service Mark of Sears Brands, LLC

® Marca Registrada / TM Marca de Fábrica / SM Marca de Servicio de Sears Brands, LLC

^{MC} Marque de commerce / ^{MD} Marque déposée de Sears Brands, LLC