



OWNER'S MANUAL

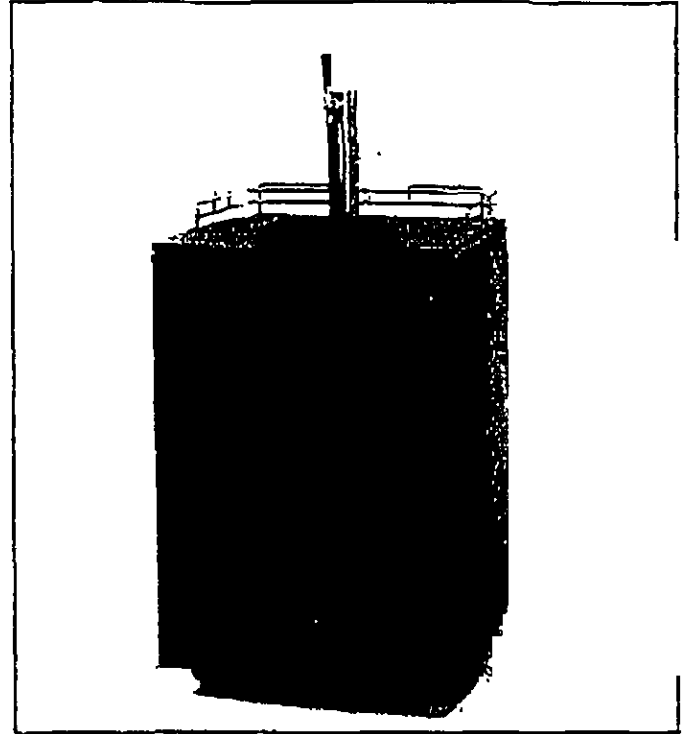
Model No.

564.8815023

564.91509990

Caution:

Read and Follow all
Safety Rules and
Operating Instructions
before first use of this
product.



When requesting service
or ordering parts, always
provide the following
information:

Product Type
Model Number
Part Number
Part Description

BEER DISPENSER

Contents:

- Warranty
- Safety Instructions
- Assembly
- Installation
- Operation
- Care and Maintenance
- Parts List

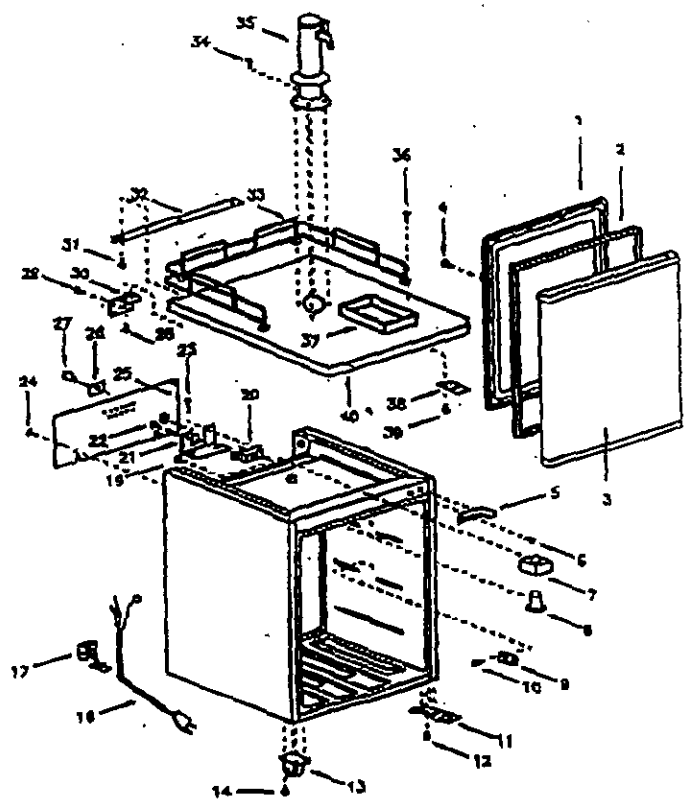
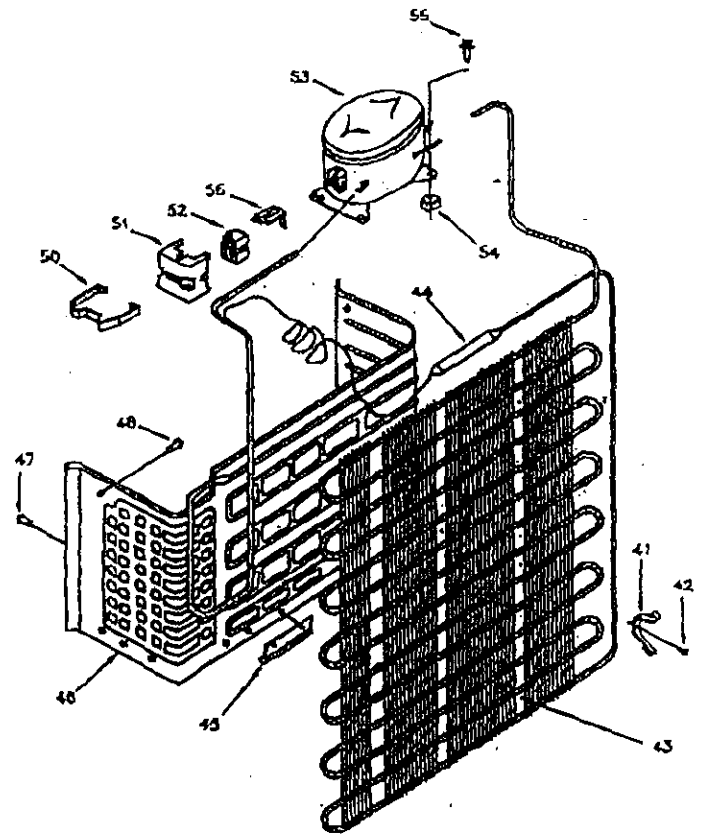
Sears, Roebuck and Co., Hoffman Estates, IL 60179 U.S.A.

Parts List

Model: 564.8815023

CAUTION: Use Kenmore part numbers on all orders, NOT the illustration number.

Illus. No.	Part No.	Description
1	300746	Door Liner
2	302271	Door Gasket
	302431	White Color
	302431	Black Color
3	300748	Foamed Door
	302432	Skywalnut
	302432	Black
4	300308	Tapping Screw
5	300749	Hinge, Upper
6	302009	Bolt
7	300750	Beer Tube Insulation
8	300751	Beer Tube Sleeve
9	300752	Evap. Bracket (4)
10	300491	Machine Screw
11	300753	Hinge, Lower
12	302009	Bolt
13	300754	Wheel Castor (4)
14	302009	Machine Screw
16	300757	Power Supply Cord
17	300758	Cord Bushing
20	300760	Thermostat
21	300165	Plate Mounting Thermo
22	301991	Machine Screw
23	300308	Tapping Screw
24	300308	Tapping Screw
25	302278	Perf. Rear Panel
26	300762	Cold Control Dial
27	301803	Thermo Knob
28	300308	Tapping Screw
29	300308	Tapping Screw
30	302276	Bracket, Top Rear Right
	302275	Bracket, Top Rear Left
31	300308	Tapping Screw
32	300765	Back Cover Support
33	300766	Guard Rail
34	300767	Hex Head Screw
35	300768	Draft Arm Assembly
36	300769	Small Screw
37	300770	Drip Tray
	302433	Brown
	302433	Black
38	300771	Bracket, Top Front (2)
39	300308	Tapping Screw
40	300772	Top Table
	300772	Brown
	302434	Black
41	300103	Plate, Support (4)
42	300308	Tapping Screw
43	302273	Condenser
44	302268	Dryer
45	302177	Clamp, Thermostat Bulb
46	302274	Evaporator Assembly
47	301991	Machine Screw
48	300494	Tapping Screw
50	301957	Clip, Relay Cover
51	301956	Relay Cover
52	302281	PTC Thermistor
53	302272	Compressor
54	300430	Grommet (4) - Sub 300427
55	300413	Bolt
56	302016	Overload Protector

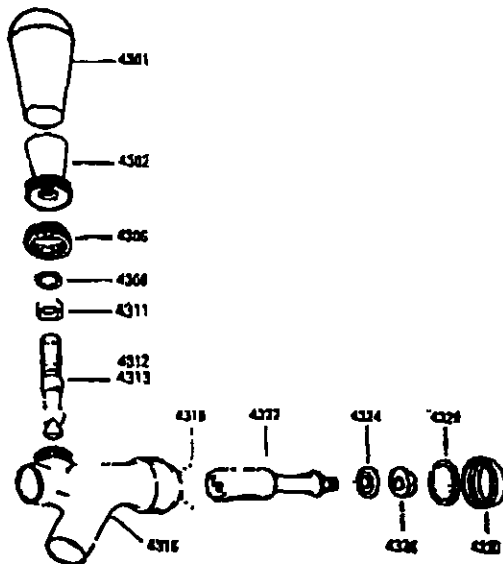
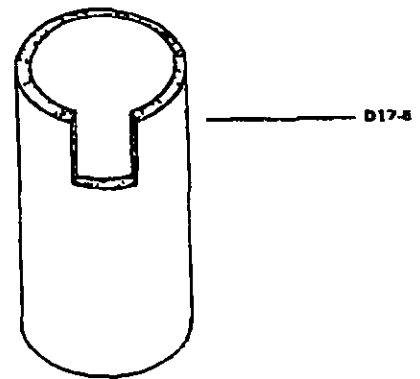
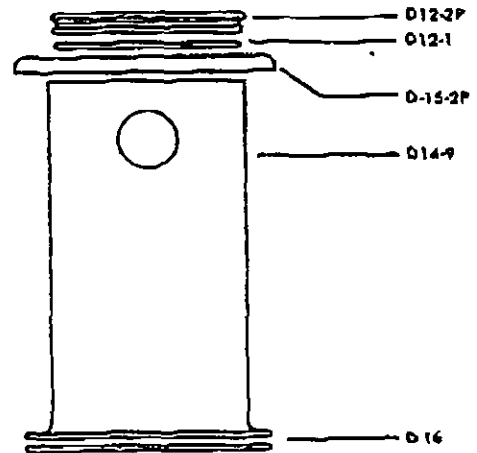
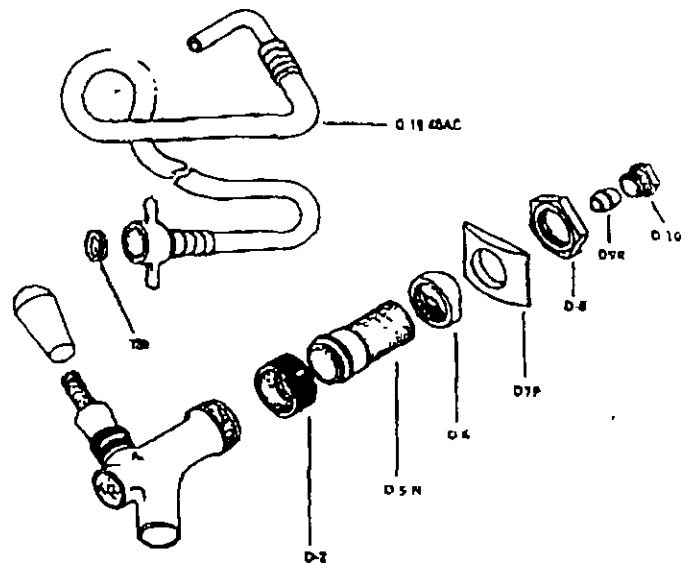


"TR" Draught Arm Parts List

Model: 564.8815023

CAUTION: Use Kenmore part number on all orders, NOT the illustration number.

Part No.	Description
D-19-60AC	Beer Tube Assembly
759	Washer
D-2	Coupling Nut
D-5N	Shank
D-6	Outside Flange
D7P	Inside Flange
D-8	Lock Nut
D9R	Gland
D-10	Inverted Flare Nut
4301	Black Knob
4302	Knob Lever Collar
4306	Knob Lever Bonnet
4308	Friction Washer
4311	Ball Washer
4312	Brass Lever
4313	Stainless Steel Lever
4316	Body
4318	Coupling Gasket
4322	T-R Shaft
4324	T-R Valve Seat
4326	T-R Shaft Nut
4328	Snap Ring
4330	Sleeve
D12-2P	Cap
D12-1	Cap O-Ring
D-15-2P	Flange Cover
D14-9	Cylinder
D-16	Gasket
D17-8	Cylinder Insulation



OPTIONAL KEG TAPPERS (Not Included)

- 300786 European Sankey
- 300787 Golden Gate, Vent
- 300788 Golden Gate, Key Tap
- 300789 Hoff-Stevens

Temperature Control

1. Control is located on rear. First set the control at NORMAL position. Wait for 24 hours to check the temperature then adjust temperature control, if needed.

Defrost

1. Beer dispenser will not require much defrosting since the door opening is at a minimum. Defrost when ¼ inch frost is built up on the cold plate. The best time to defrost is when the keg is changed. To defrost, set the temperature control at OFF position and leave door open until ice melts. Defrost water will accumulate at the bottom of interior cabinet which can be absorbed with a sponge or towel. Do not use heating devices or sharp objects to speed defrosting as this could damage cabinet liner or cold plate. Reset temperature control after defrosting is completed.

Replacing Empty Keg

Close shutoff valve on CO₂ regulator then remove keg tapper from empty keg. To tap a new keg, follow the procedures C, D, and E of "Installing Keg Tapper and Beer Keg."

Cleaning

1. To maintain good-tasting beer, periodical cleaning of beer system is required. Complete cleaning kit is provided for your convenience. Refer to the instructions included in cleaning kit.
2. To clean cabinet inside and outside, mix 2 tablespoons baking soda with 1 quart warm water, or use mild soap. Never use strong cleanser, scouring powder or pads.

Do not put the drip tray in dishwasher, it is not dishwasher safe. Vacuum the tubing on outside back twice a year.

To provide protective care of the painted finish:

Regular applications of wax or polish provide vital protection against rust. Waxing cleans the surface and seals out moisture and other contaminants.

- Use a wax or polish that is suitable for appliances.
- Apply the wax or polish when the refrigerator is new then at least twice a year.
- Between waxings, clean the cabinet with the same polish or with a CLEAN soft cloth dampened with a mild household detergent. Rinse with a CLEAN lightly dampened cloth and DRY thoroughly.

Parts List

Model: 564.8815023

CAUTION: Use Kenmore part numbers on all orders, NOT the Illustration number.

Parts Not Illustrated

Part No.	Description
300774	CO ₂ Cylinder
300775	CO ₂ Regulator (consists of the following)
740	Regulator
624	Pressure Gauge
1600c	Air Cock
300776	CO ₂ Cylinder Retainer
300777	Key Tapper, Sandkey
300778	Cleaning Kit (consists of the following)
584P	Pump
1841-1A	Cap and Jar Assembly (including tubing)
905W	Faucet Brush
904A	Hose Brush
4350	Faucet Wrench
1000-1	Cleaning Compound (1 lb.)
DBF	Draught Beer Facts Book
JK	Cleaning Instructions
300779	Pressure Tube
300780	Hose Clamp (2)
300781	Keg Support (2)
302219	Technical Sheet
300784	Use & Care Manual
302423	Mascot, Brown
302436	Mascot, Black
302435	Owner's Manual

Assembly

1. Carton Inventory

Unpack and inspect the parts. Make sure all items are present and in good condition.

- 1 Draft arm assembly (package includes 1 gasket for draft arm and 1 washer for connection to keg tapper)
- 1 CO₂ regulator
- 1 CO₂ cylinder
- 1 Keg tapper (Sankey type)
- 1 Cleaning kit
- 1 Pressure tube
- 2 Hose clamps
- 2 Keg supports (wooden plates)
- 1 CO₂ cylinder retainer (spring)
- 1 Guard rail
- 1 Drip tray
- 4 Wheel casters
- 4 Hex head screws (5mm dia x 15mm long)
- 16 Machine screws (5mm dia x 12mm long)
- 8 Small screws (5mm dia x 10mm long)

2. Install Casters

- a. Empty the cabinet and then lay down the beer dispenser sideways so that the door hinge side comes to the top. Be careful not to cause dents or scratches on the cabinet. Placing outer carton underneath the cabinet is recommended.
- b. Install casters to the four bottom corners of the cabinet with the four machine screws (5mm dia x 12mm long) for each caster.
- c. Stand the cabinet upright.

3. Install Draft Arm Assembly (see Fig. 1)

- a. Slide gasket over wingnut on bottom of draft arm assembly beer tube. Slide gasket up beer tube to draft arm base.
- b. Push wingnut and beer tube of draft arm assembly through hole in top of cabinet until draft arm is resting on cabinet top.
- c. Align holes in draft arm base with holes in gasket and pilot holes in cabinet top, then secure draft arm to cabinet top with four hex head screws (5mm dia x 15mm long)

4. Install Guard Rail (see Fig. 1)

- a. Place guard rail on cabinet top and secure guard rail with eight small screws.

Installation

1. Install beer dispenser on strong, level floor. Avoid direct sunlight, heat sources and moisture.
2. Connect to 120V, 60 Hz, 15 Amp grounded AC outlet. Do not use extension cord. Use three-prong plug with three-prong grounded wall outlet.

WARNING: UNLESS THE ABOVE GROUNDING METHOD IS followed, you are not protected against severe or lethal shock in the event of a short circuit of an electrical component or wiring of beer dispenser.

Installation Of Beer System

1. Installing CO₂ Cylinder and CO₂ Regulator

WARNING: CO₂ GAS CAN BE DANGEROUS

Read front pages of "Draught Beer Facts" book included in your cleaning kit for safety precautions before installing the CO₂ cylinder.

- a. Your CO₂ cylinder is shipped empty to avoid any possible accident during transportation. When you purchase the first keg of beer, get CO₂ cylinder filled by your beer distributor.
- b. Follow the procedure on the inside front cover page of "Draught Beer Facts" book for installation of CO₂ regulator to CO₂ cylinder.

NOTE: Shutoff valve on CO₂ cylinder may be different in shape. Do not open shutoff valve until pressure tube, keg tapper and beer keg are connected to CO₂ regulator.

Place CO₂ cylinder at tight rear corner inside beer dispenser cabinet in upright position. Fasten CO₂ cylinder with CO₂ cylinder retainer (spring) provided. Hook both ends of retainer to holes in cold plate. (see Fig. 2.)

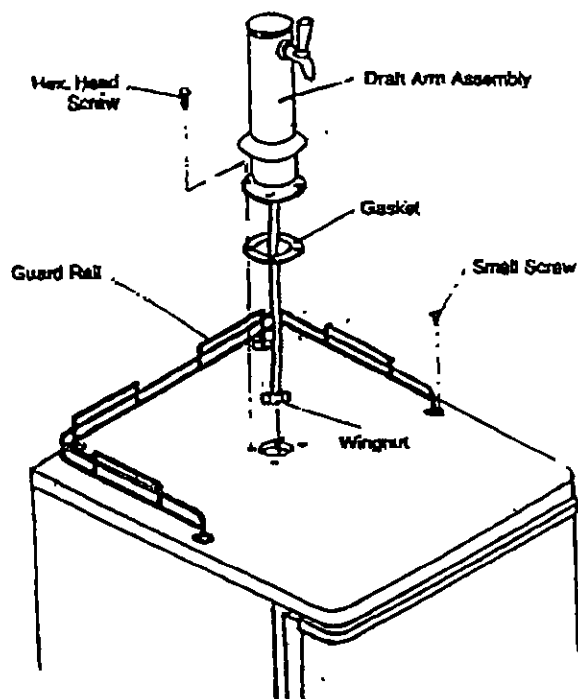


Fig. 1.