



Compact Refrigerator

Models: 94372

3.7 cu. ft. Capacity

Read This Manual!

It will tell you how to operate and care for your refrigerator. It also offers tips on how to get the best and lowest cost performance.

If you prefer installing your own parts, use the parts list to find the part number. Do not use the illustration number.

In the space below record the model and serial number of your refrigerator. Each is printed on the model number plate located in the upper corner of the refrigerator back. Use these numbers when calling for service.

Model No. _____ Serial No. _____

Full One Year Warranty on Refrigerator

For one year from the date of purchase, when this refrigerator is operated and maintained in accordance with the provided owner's manual. Sears will repair it, free of charge, if found defective in material or workmanship.

Full Five Year Warranty on Sealed Refrigeration System

For five years from the date of purchase, when this refrigerator is operated and maintained in accordance with the provided owner's manual. Sears will repair the sealed system (consisting of refrigerant, connecting tubing and compressor motor), free of charge, if found defective in material or workmanship.

The above warranty coverage applies only to refrigerator which is used for the storage of food for private household purposes.

Warranty service is available by contacting the nearest Sears Service Center in the United States.

This warranty applies only while this product is in use in the United States. This warranty gives you specific rights and you may also have other rights which vary from state to state.

Sears, Roebuck and Co., Dept. 817WA,
Hoffman Estates, IL 60179

Installation

Remove all packing material and tape from the unit. Inspect the unit thoroughly and notify Sears immediately if the unit has any damaged or missing parts.

Install the unit on a strong level floor or counter. Avoid any direct sunlight, heat source or moisture.



CAUTION: If you turn off the cold control, allow at least three minutes before restarting to avoid blowing fuses or tripping your circuit breaker.

Electrical

120 Volts, 60 Hz (60 cycles AC), 15 amps.

Electrical Grounding

Your refrigerator comes with a three-prong plug and must be inserted into a three-prong, grounded wall outlet. Do not use an extension cord.



WARNING: Unless the above grounding methods are followed, you are not protected against severe or lethal shock in the event of a short circuit in refrigerator wiring or electrical components.

Things to Remember

1. When resetting your refrigerator to a new temperature, allow 24 hours for it to reach the new setting.
2. The motor will start and stop often. It must do so in order to maintain the temperature you select.
3. Keep your refrigerator level.
4. Unplug the refrigerator before doing anything with the electrical system.

Sears, Roebuck and Co., Hoffman Estates, IL 60179

Use and Care Information

Tips on everyday care and use

1. To control the temperature:

First, set the cold control on "3". Wait 24 hours for the entire cabinet to cool. Then adjust the control if necessary. Setting the Cold Control to MIN, is the warmest setting; MAX is the coldest. The MAX setting may reduce the temperature to below freezing, but it will not cool the refrigerator faster.

The fresh food section should be as cold as possible without freezing vegetables or milk. Adjust as necessary.

2. Defrost:

Defrost when 1/4" frost forms. To start defrosting, push the defrost button at the center of cold control knob. Remove food. Do not touch freezing plate with bare hands. Do not use electric defrost devices or hair dryers to melt frost as they may damage plastic parts. When defrosting is completed the refrigerator will restart the cooling operation automatically. After defrosting, discard the water in the drip tray. Replace food.

3. For all cleaning:

Mix 2 tablespoons baking soda with 1 quart warm water or use a mild soap. Do not use strong cleaners, scouring powder or pads. For persistent odors, contact Sears Service Center for odor removal products. Do not put the drip tray in the dishwasher. Vacuum the condenser tubing on the back of the refrigerator when dusty.

5. **Reduce** the number and length of time you open the door. Your cooling system will not have to run as often.

6. **Keep your refrigerator level**, so that the door seals tightly. When the door is closed, the door gaskets should touch the refrigerator all the way around. If not, make your refrigerator level by use of the adjustable leg located under the unit.

7. **Keep your refrigerator away** from stoves or other heat sources. A cool and dry place allows your refrigerator to operate more efficiently.

Before Calling for Service

- Check the plug and fuse.
- Test the outlet with a lamp.
- Be sure the control is not set to OFF.
- Read the manual, especially the items under the Use and Care Information. You may find the answer to your questions.
- If you do not find the answer to your questions in this manual, find the unit model number (on the upper back of the refrigerator) and contact your Sears Service Center.

When requesting service or ordering parts, always provide the following information:

- Product name.
- Model number.
- Part Name
- Part Number

Energy Saving tips

1. **Close the door as soon as you can** after opening it. Make sure that the door is fully shut after each use so that cold air does not escape from the refrigerator cavity.
2. **Adjust the Cold Control.** Try a warmer setting. Your refrigerator may be colder than necessary. Use the condition of milk to check refrigerator temperature. As long as milk keeps without spoiling your refrigerator is cold enough.
3. **Do Not** place hot food in the refrigerator.
4. **Do Not** allow more than 1/4 inch of frost to build up in the freezer compartment.



DANGER: ELECTRICAL SHOCK HAZARD
Disconnect power before servicing.

Parts List

Model: 564.94372400

CAUTION. Use Kenmore parts number on all orders, not the illustration number.

Illus. No.	Part No.	Description	Illus. No.	Part No.	Description
1	302388	Grommet cap	25	302345	Hinge bottom
2	302776	Foamed door assembly	26	302009	Bolts
3	301601	Door gasket	27	302291	Legs
4	302977	Door liner	28	302486	Ice cube tray
5	302764	Door panel bar	29	302879	Drip tray
6	302722	Door rack	30	302973	Plastic shelf
7	302541	Panel bar	31	302850	Plastic shelf, bottom
8	302378	Nylon washer	32	302509	Washer
9	302863	Wiring diagram w/o light	33	302372	Plug butoon, white
10	300500	Door shelf bushing	34	302268	Drier
11	302771	Can dispenser	35	302289	Compressor mtg. grommet, no hole
12	302525	Power cord	36	300413	Compressor mtg. bolts
13	302340	Mascot	37	302427	Compressor mtg. grommet #10195
14	302309	Evaporator door grommet	38	302754	Compressor
15	303004	Evaporator door	39	301976	Overload relay 189T
16	302009	Bolts	40	302306	PTC relay
17	302777	Plate mtg. thermo	41	302696	Clip, relay cover
18	302522	Thermostat	42	302573	Relay cover
19	300463	Screw	43	302365	Compressor base plate
20	300493	Screw	44	302343	Cover, hinge top
21	302767	Thermo panel	45	302009	Bolt #10119
22	302175	Thermo knob	46	302342	Hinge top
23	302772	Screw	47	300308	Tapping screw, #10023
24	302903	Shaft hinge bottom	48	300820	Crisper, clear

Parts Not Illustrated

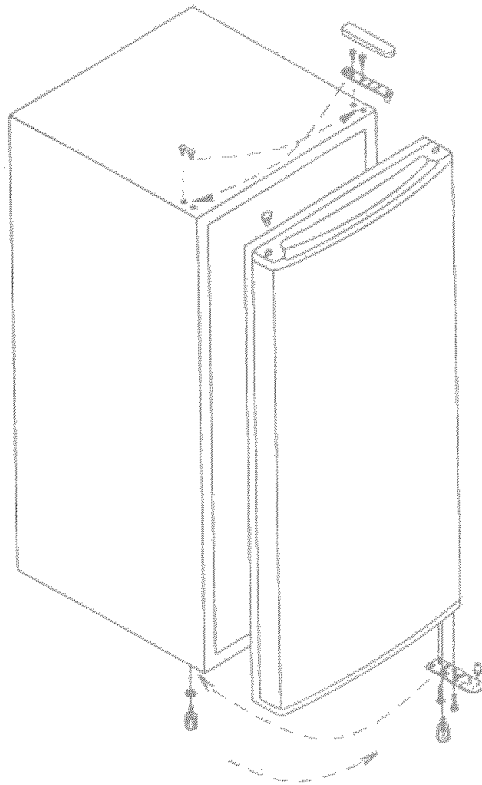
Part No.	Description
303007	Owner's manual/Parts list
302283	Technical sheet
303008	FTC Label

HOW TO TRANSFER THE DOOR HINGE LOCATION OF A REVERSIBLE DOOR

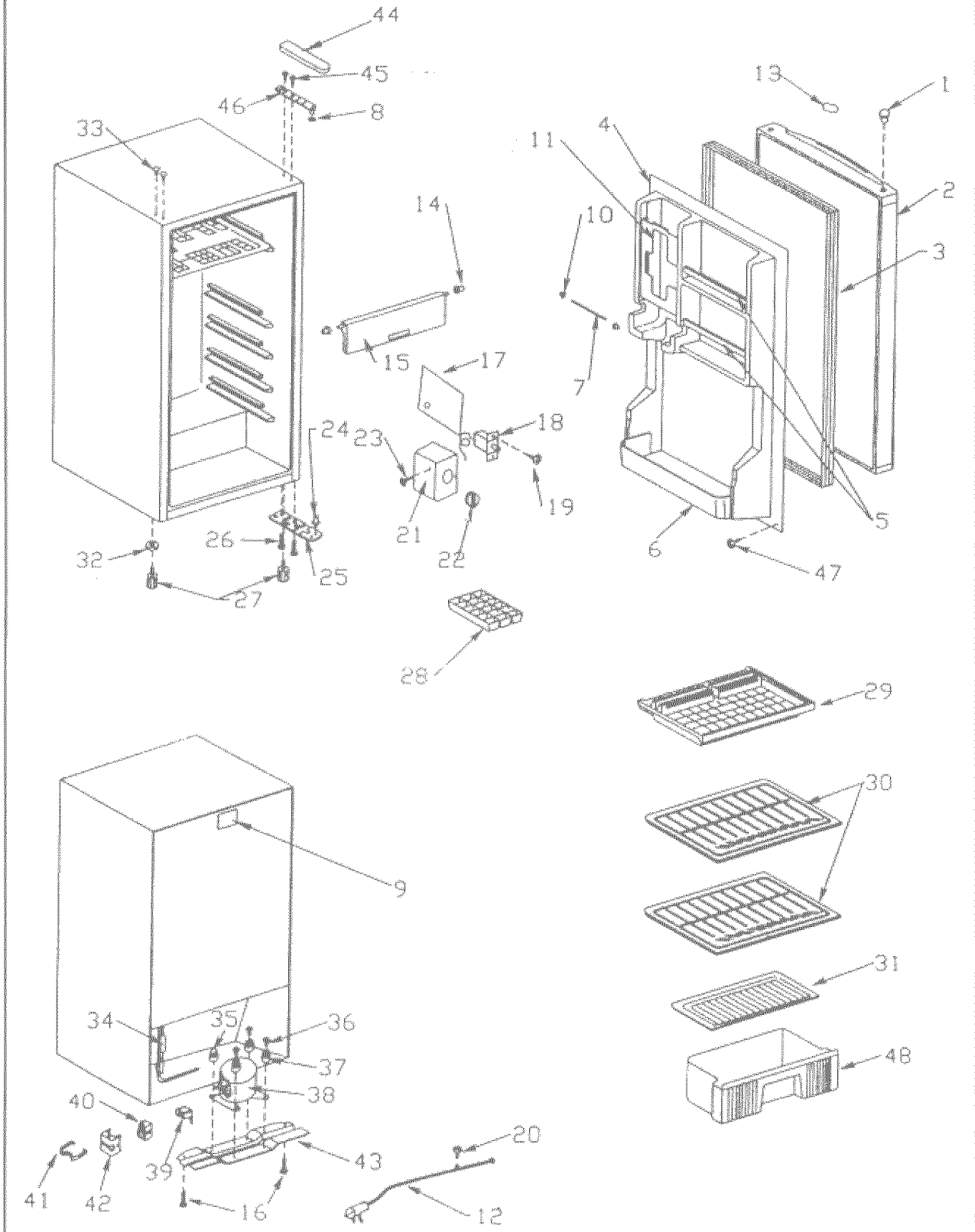
Refer to the disassembly diagram and change the door hinges using the following procedure:

1. Remove the hinge cap by twisting it off.
2. Remove the upper hexagonal head screws.
3. Lift the door up and off the bottom hinge pin.
4. Use a pad or blanket to protect the floor and to avoid scratching the painted finish.
5. Tilt the refrigerator back or lay it on its back and loosen and remove the leg with leg spacer and the screws from the bottom hinge.
6. Remove and transfer the bottom hinge to the other side without flipping or turning it.
7. Install the leg and leg spacer that were removed from the original location to the other side of the cabinet.
8. Place the door over the bottom hinge pin and guide the door bottom hole to the pin.
9. Remove the hinge collar cap and relocate to the door opening side.
10. Remove the plugs from the door opening side of the cabinet. Place the upper Hinge over these holes and the hinge pin into the hole on the top of the door. Drive the screws into the top of the cabinet. Do not tighten until the door is checked for proper gasket seal alignment. Put the hinge cap on the upper hinge and place the plugs to the door opening side.
11. Stand the unit back in the upright position.

* *Allow the unit to stand upright for three hours before connecting it to a power supply in order to avoid permanent damage to the unit.*



Model: 564.94372400



Get fixed, at your home or ours!

Your Home

For repair-in your home-of all major brand appliances, lawn and garden equipment, or heating and cooling system, **no matter who made it, no matter who sold it!**

For the replacement parts, accessories and owner's manuals that you need to do-it-yourself.

For Sears professional installation of home appliances and items like garage door openers and water heaters.

1-800-4-MY-HOME® (1-800-469-4663)

Call anytime, day or night (U.S.A. and Canada)

www.sears.com www.sears.ca

Our Home

For repair of carry-in items like vacuums, lawn equipment, and electronics, call or go on-line for the location of your nearest **Sears Parts & Repair Center.**

1-800-488-1222

Call anytime, day or night (U.S.A. only)

www.sears.com

To purchase a protection agreement on a product serviced by Sears:

1-800-827-6655 (U.S.A.)

1-800-361-6665 (Canada)

Para pedir servicio de reparación a domicilio, y para ordenar piezas:

1-888-SU-HOGARSM
(1-888-784-6427)

Au Canada pour service en français:

1-888-LE-FOYER^{M C}
ww.sears.ca

SEARS

® Registered Trademark/™ Trademark/™ Service Mark of Sears, Roebuck and Co.

® Marca Registrada/™ Marca de Fábrica/™ Marca de Servicio de Sears, Roebuck and Co.

® Marque commerciale/™ Marque déposée de Sears, Roebuck and Co.